



US00D821014S

(12) **United States Design Patent**  
**Long et al.**

(10) **Patent No.:** **US D821,014 S**  
(45) **Date of Patent:** **\*\* Jun. 19, 2018**

(54) **LAMP**

21/06; F21V 21/0885; F21V 21/145;  
F21V 21/30; F21V 33/0024

(71) Applicants: **UNILUMIN GROUP CO., LTD.**,  
Shenzhen, Guangdong (CN);  
**GUANGDONG UNILUMIN**  
**ENERGY SAVING TECHNOLOGY**  
**CO., LTD.**, Huizhou, Guangdong (CN)

See application file for complete search history.

(72) Inventors: **Laifu Long**, Guangdong (CN); **Qing**  
**Zhou**, Guangdong (CN); **Jianghai Li**,  
Guangdong (CN); **Wei Qiao**,  
Guangdong (CN); **Mingfeng Lin**,  
Guangdong (CN)

(56) **References Cited**

U.S. PATENT DOCUMENTS

D567,980 S *	4/2008	Guercio .....	D26/63
D615,235 S *	5/2010	Zheng .....	D26/63
D694,449 S *	11/2013	Walker .....	D26/63
D695,946 S *	12/2013	Duquette .....	D26/63
D744,141 S *	11/2015	Bobel .....	D26/63
D762,901 S *	8/2016	Boissevain .....	D26/63
D769,498 S *	10/2016	Liang .....	D26/61
D788,966 S *	6/2017	Gan .....	D26/63

(73) Assignees: **UNILUMIN GROUP CO., LTD.**,  
Shenzhen (CN); **GUANGDONG**  
**UNILUMIN ENERGY SAVING**  
**TECHNOLOGY CO., LTD.**, Huizhou  
(CN)

\* cited by examiner

*Primary Examiner* — Brian N. Vinson

(74) *Attorney, Agent, or Firm* — Ladas & Parry LLP

(\*\*) Term: **15 Years**

(21) Appl. No.: **29/624,928**

(22) Filed: **Nov. 6, 2017**

(57) **CLAIM**

The ornamental design for a lamp, as shown and described.

**Related U.S. Application Data**

(62) Division of application No. 29/582,829, filed on Oct.  
31, 2016, now Pat. No. Des. 806,302.

**DESCRIPTION**

(30) **Foreign Application Priority Data**

Jun. 21, 2016 (CN) ..... 2016 3 0265130

(51) **LOC (11) Cl.** ..... **26-03**

(52) **U.S. Cl.**  
USPC ..... **D26/63**

(58) **Field of Classification Search**

USPC ..... D26/60-66, 72, 85, 87, 92  
CPC . F21K 9/00; F21V 5/007; F21V 7/005; F21V  
7/0083; F21V 11/04; F21V 11/14; F21V  
15/01; F21V 19/001; F21V 21/002; F21V

FIG. 1 is perspective view of a lamp showing my new design;

FIG. 2 is another perspective view thereof;

FIG. 3 is a front elevational view thereof;

FIG. 4 is a rear elevational view thereof;

FIG. 5 is a left-side elevational view thereof;

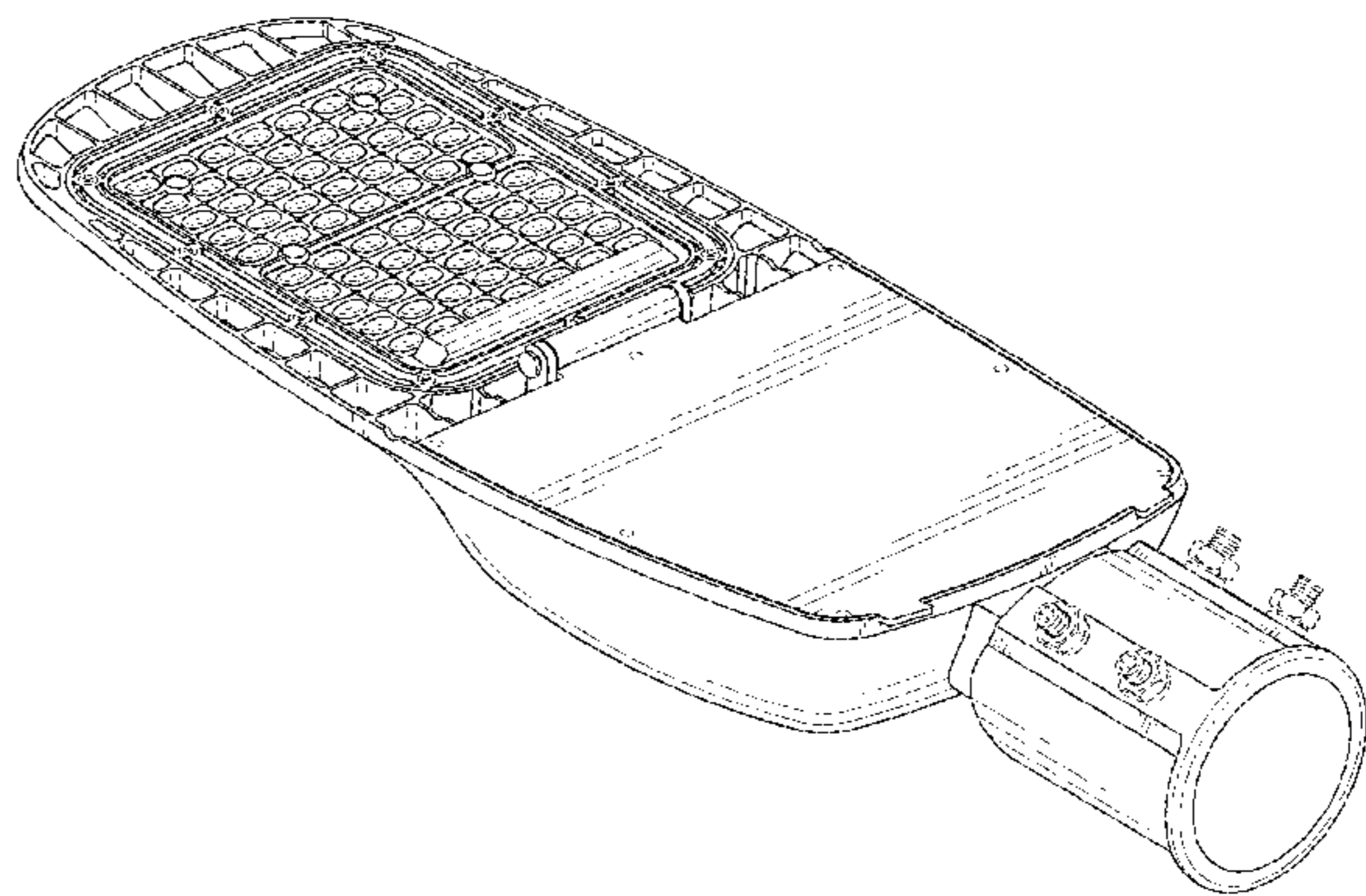
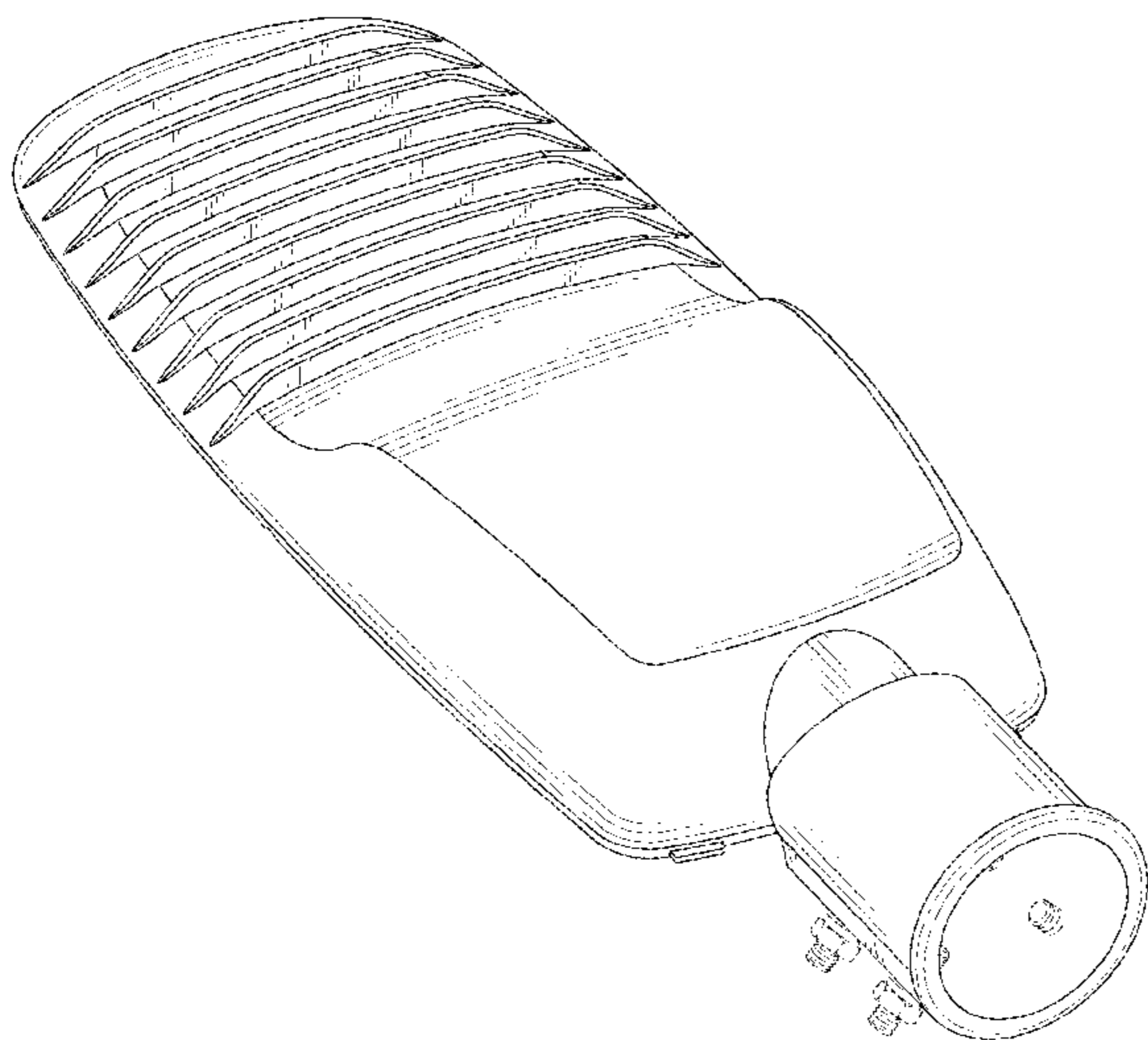
FIG. 6 is a right-side elevational view thereof;

FIG. 7 is a top plan view thereof; and,

FIG. 8 is a bottom plan view thereof.

The broken lines in the figures are included for the purpose of illustrating portions of the article which form no part of the claimed design.

**1 Claim, 8 Drawing Sheets**



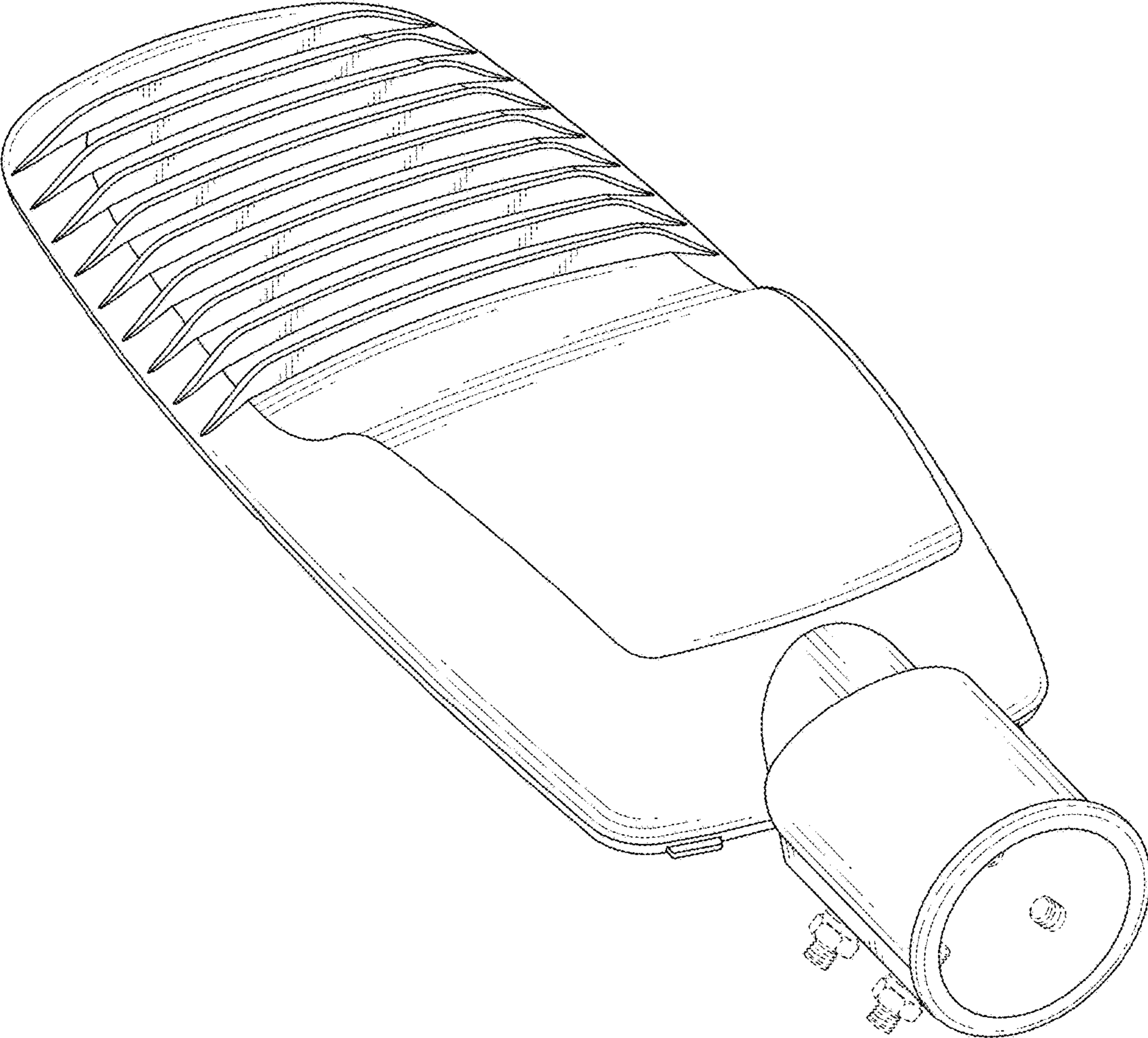


FIG. 1

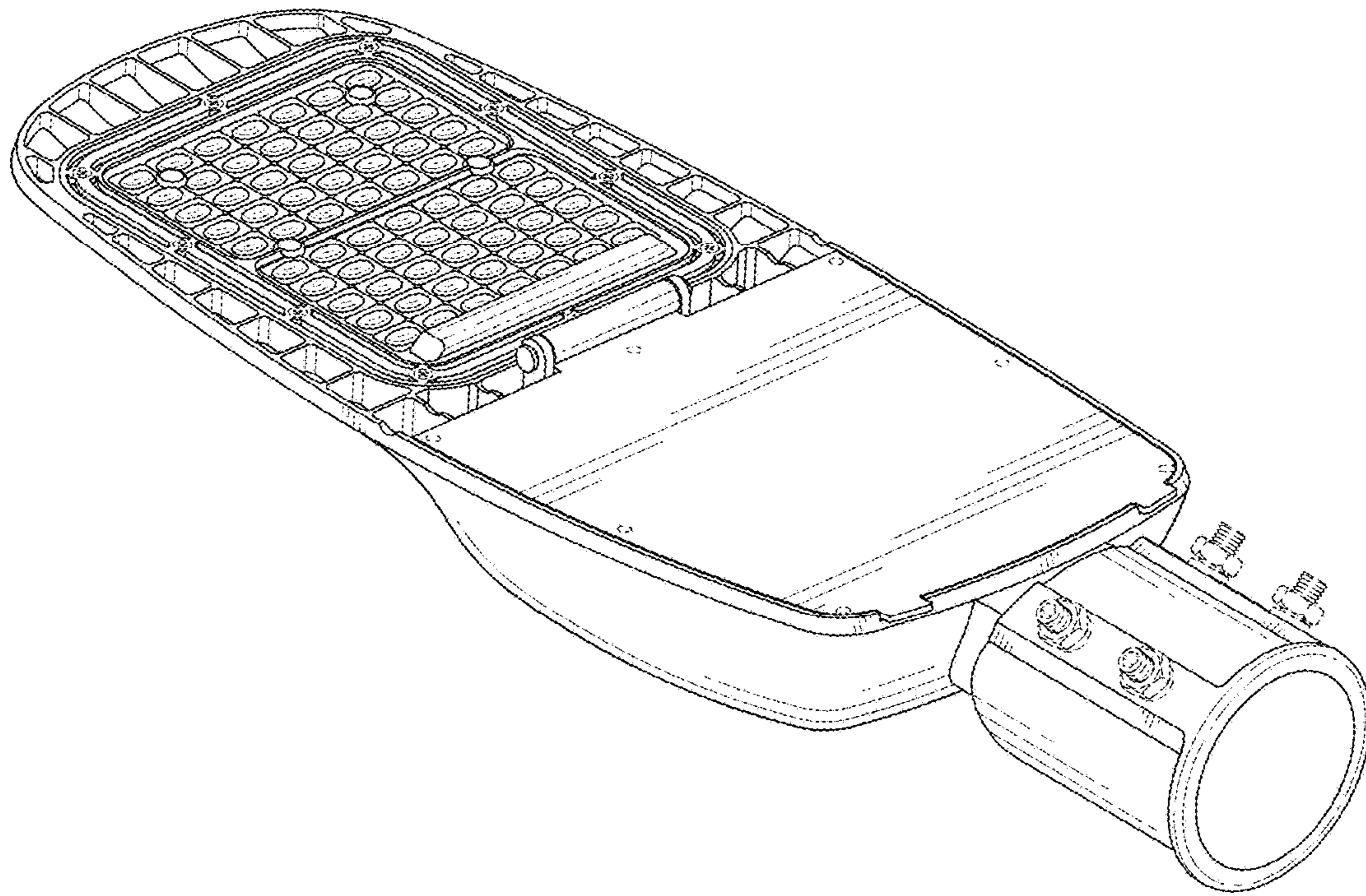


FIG. 2



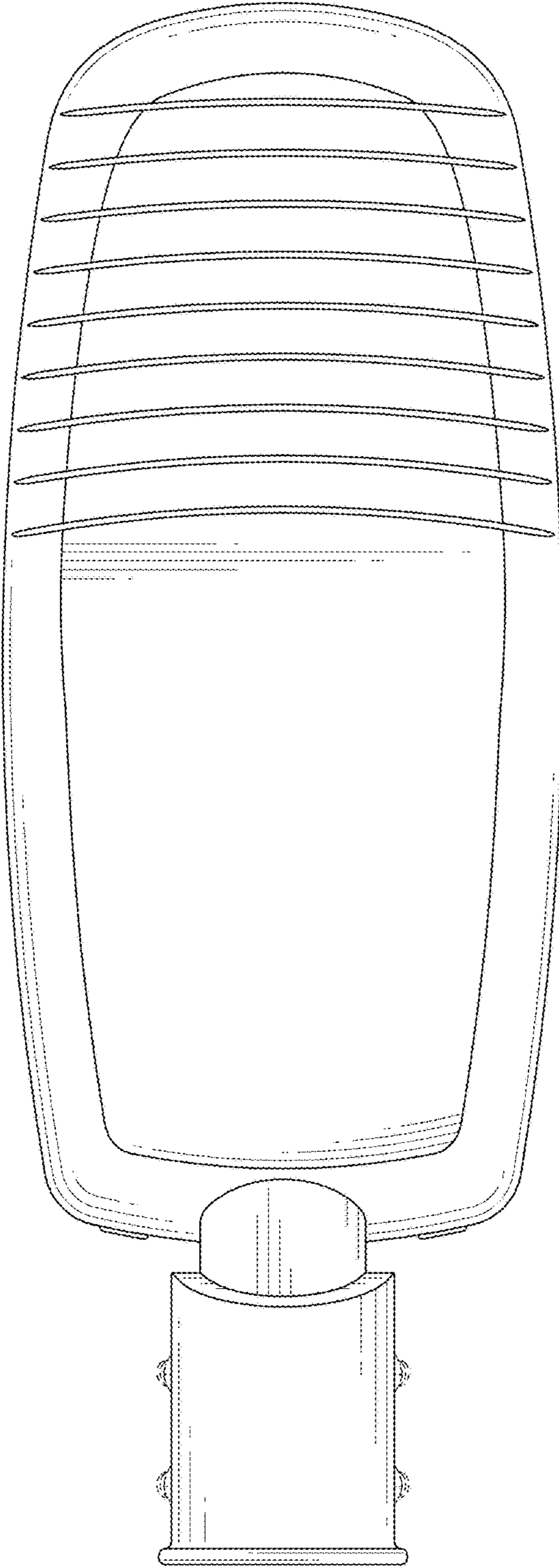


FIG. 3

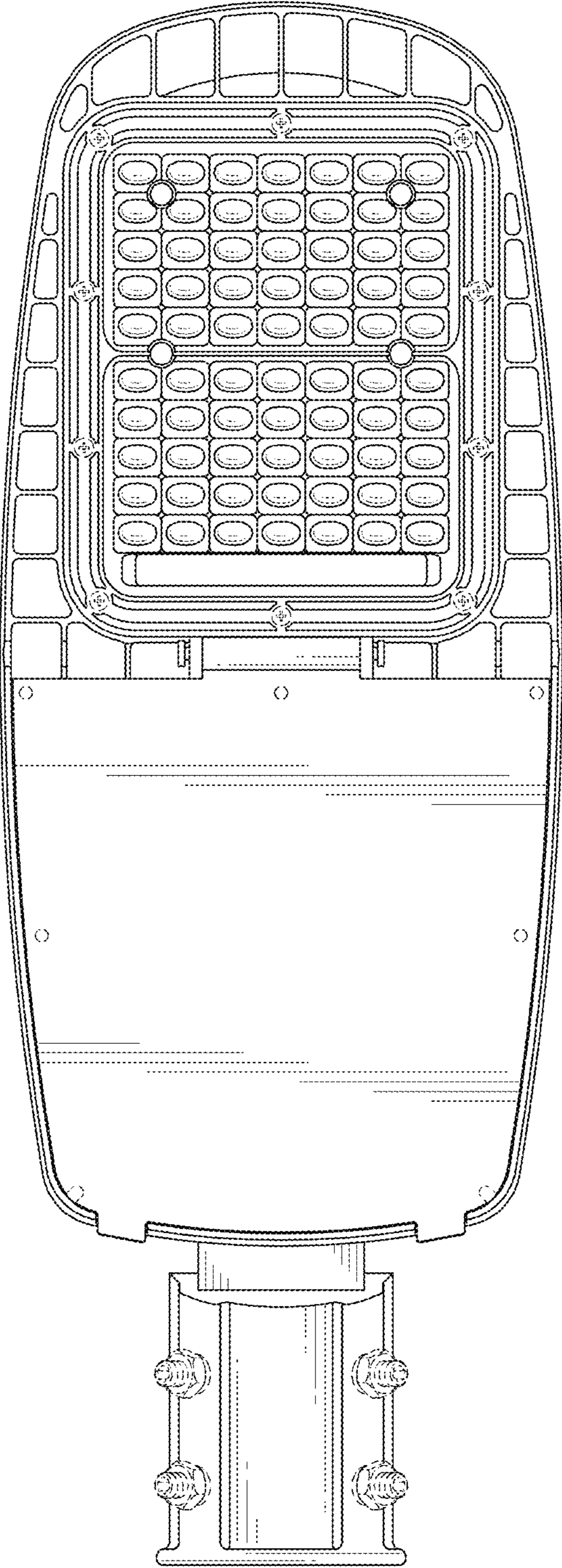


FIG. 4

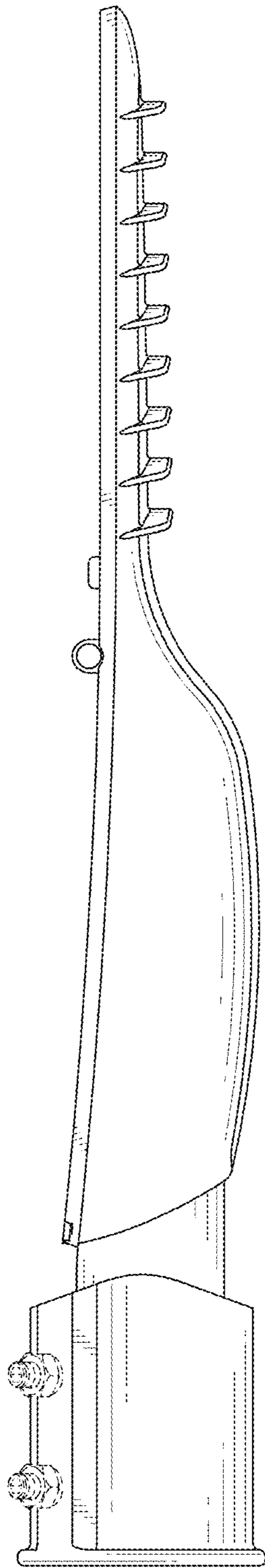


FIG. 5

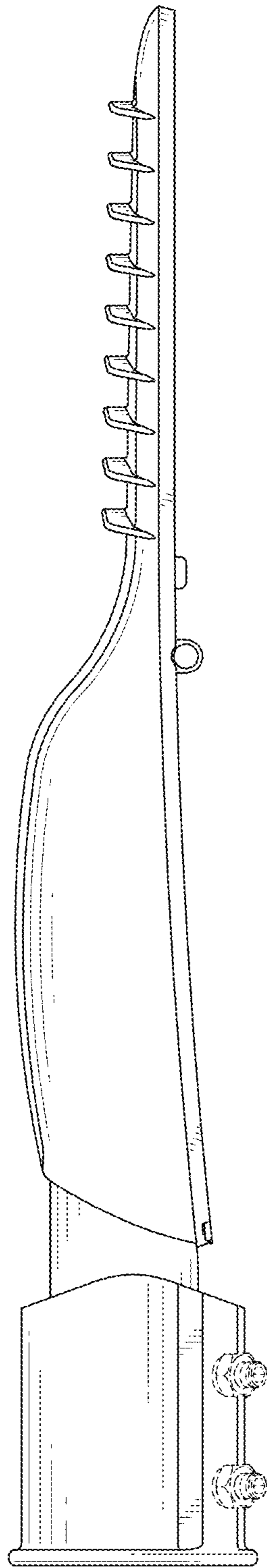


FIG. 6

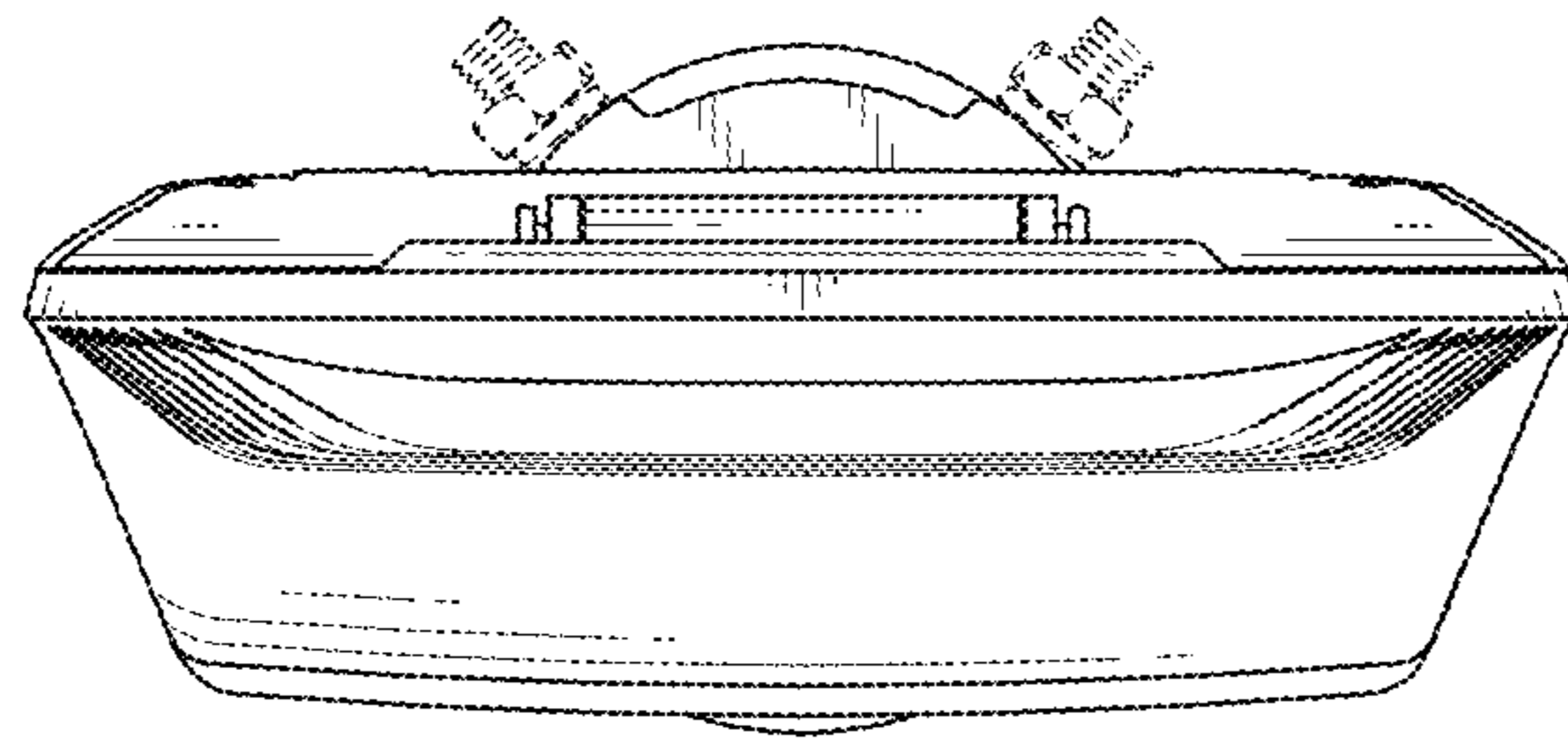


FIG. 7



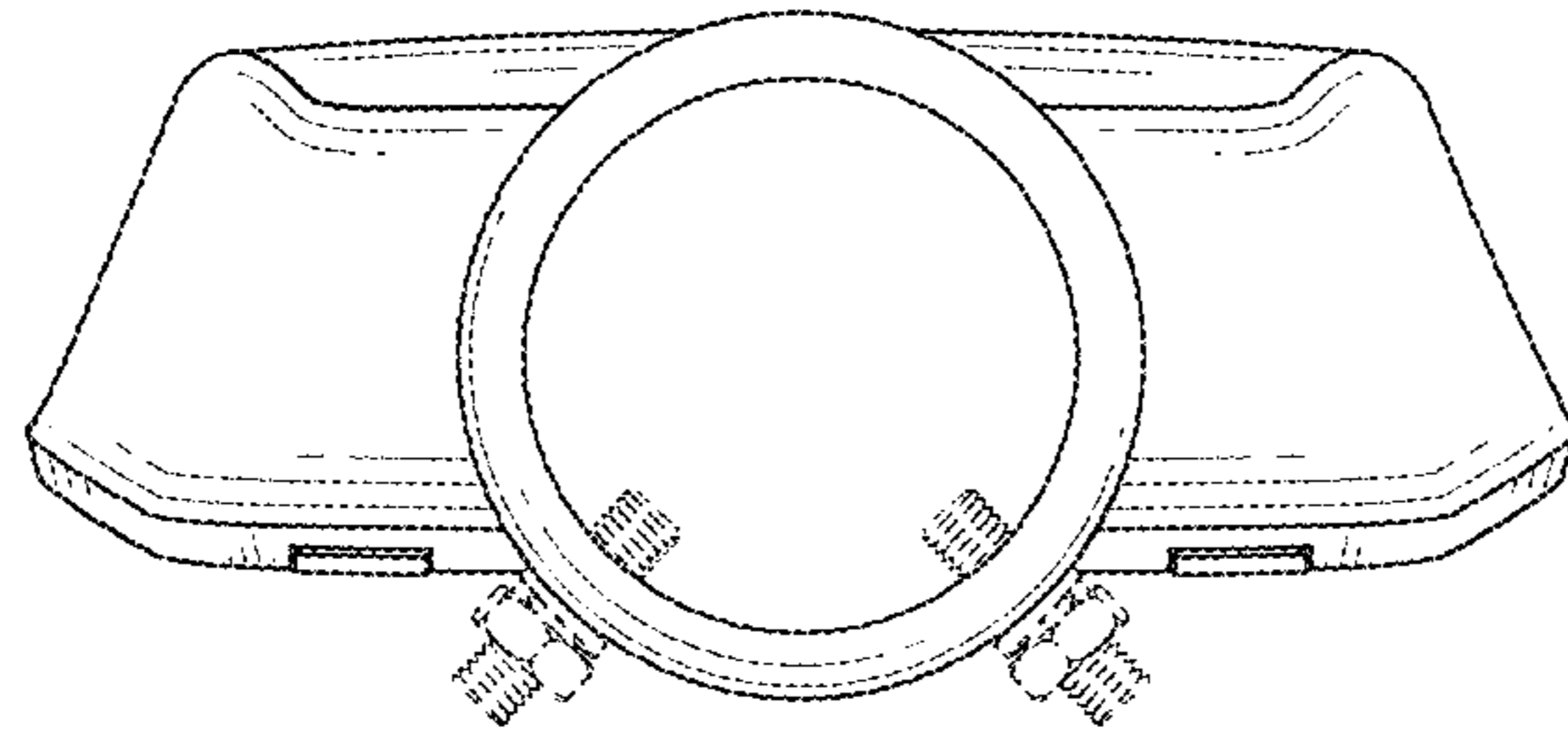


FIG. 8