



US00D821013S

(12) **United States Design Patent**
Mizobe

(10) **Patent No.:** **US D821,013 S**
(45) **Date of Patent:** **** Jun. 19, 2018**

(54) **LIGHTING EQUIPMENT**

- (71) Applicant: **NEC Lighting, Ltd.**, Minato-ku, Tokyo (JP)
- (72) Inventor: **Norimasa Mizobe**, Tokyo (JP)
- (73) Assignee: **NEC LIGHTING, LTD.**, Minato-Ku, Tokyo (JP)
- (**) Term: **15 Years**
- (21) Appl. No.: **29/607,775**
- (22) Filed: **Jun. 16, 2017**

(30) **Foreign Application Priority Data**

Dec. 16, 2016 (JP) 2016-027349

(51) **LOC (11) Cl.** **26-03**

(52) **U.S. Cl.**
USPC **D26/63**

(58) **Field of Classification Search**

USPC D26/1, 24, 61, 63, 65, 85, 92, 138
 CPC F21V 21/14; F21V 15/01; F21V 14/02;
 F21V 21/30; F21V 21/00; F21V 14/00;
 F21S 8/00; F21S 8/003; F21S 8/043;
 F21Y 2105/001; F04B 39/042

See application file for complete search history.

(56) **References Cited**

U.S. PATENT DOCUMENTS

D235,222 S *	5/1975	Larson	D26/65
5,201,643 A *	4/1993	Hirosawa	F04B 39/042 417/395
D586,491 S *	2/2009	Levine	D26/63
D639,983 S *	6/2011	Quadri	D26/61
D663,877 S *	7/2012	Quevy	D26/63
D769,508 S *	10/2016	Rosello Gratacos	D26/63
D783,874 S *	4/2017	Moller	D26/63
D789,581 S *	6/2017	Peard	D26/61

OTHER PUBLICATIONS

Approach Lighting System. Approach Flash Lighting System. AFLS (Approach Flash Lighting System) notify airplane of landing point and direction by flashing of high-intensity xenon lamp, ALS Catalogue, NEC Lighting, Ltd. (2011) NEC Corporation (2 pages, in English).

* cited by examiner

Primary Examiner — Brian N. Vinson

(74) *Attorney, Agent, or Firm* — Buchanan Ingersoll & Rooney PC

(57) **CLAIM**

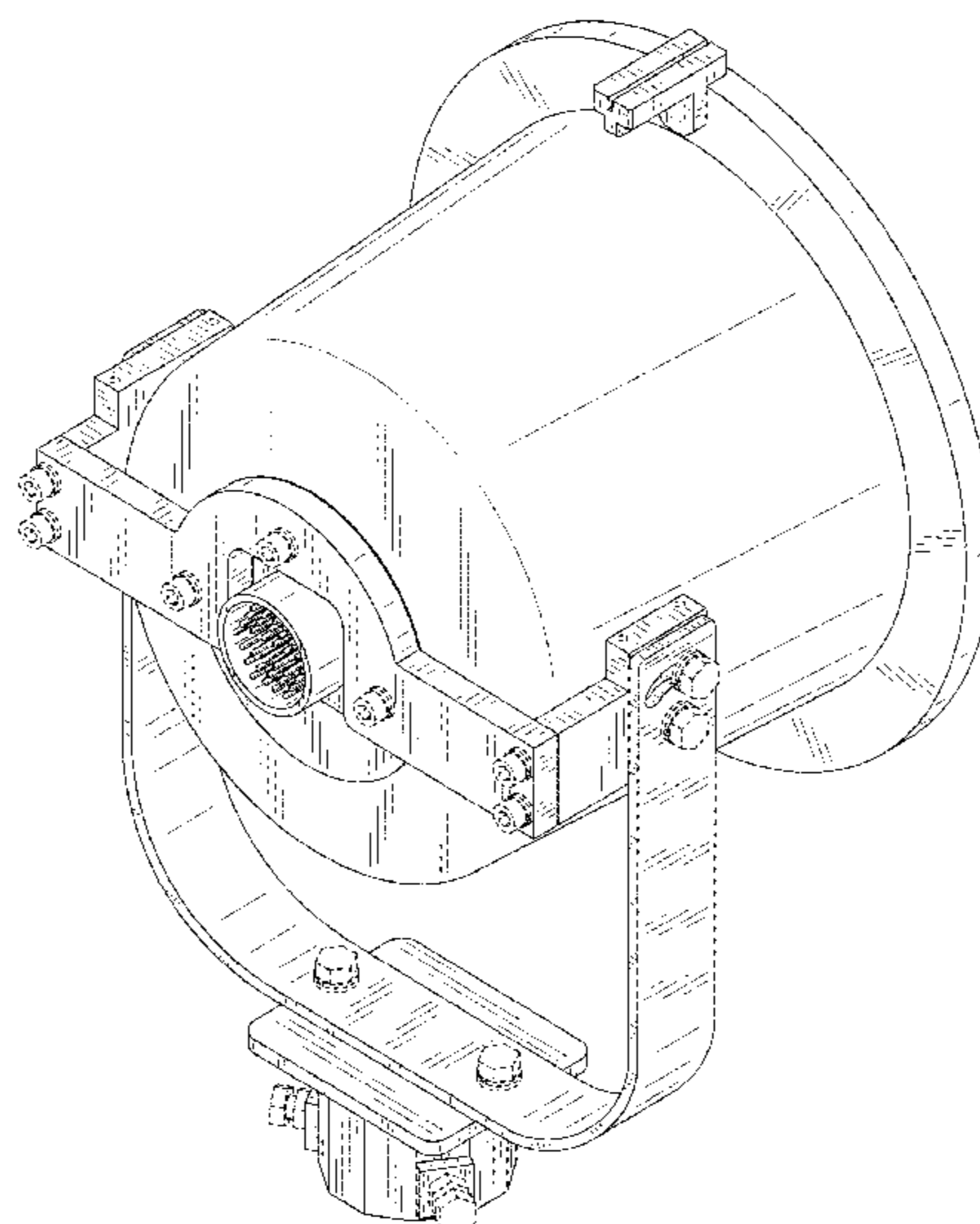
The ornamental design for a lighting equipment, as shown and described.

DESCRIPTION

FIG. 1 is a front, right side, top perspective view of a lighting equipment showing my new design;
 FIG. 2 is a front elevational view thereof;
 FIG. 3 is a rear elevational view thereof;
 FIG. 4 is a left side view thereof;
 FIG. 5 is a right side view thereof;
 FIG. 6 is a top plan view thereof;
 FIG. 7 is a bottom plan view thereof;
 FIG. 8 is a fragmentary vertical cross-sectional view thereof, taken along line 8-8 of FIG. 4, and omitting other internal, unclaimed elements; and
 FIG. 9 is an additional front, right side, top perspective view thereof.

The broken line disclosure in the views represents portions of the lighting equipment which form no part of the claimed design. The long and short dashed lines in FIG. 4 are intended to show the bounds of the fragmentary cross-sectional view of FIG. 8.

1 Claim, 9 Drawing Sheets



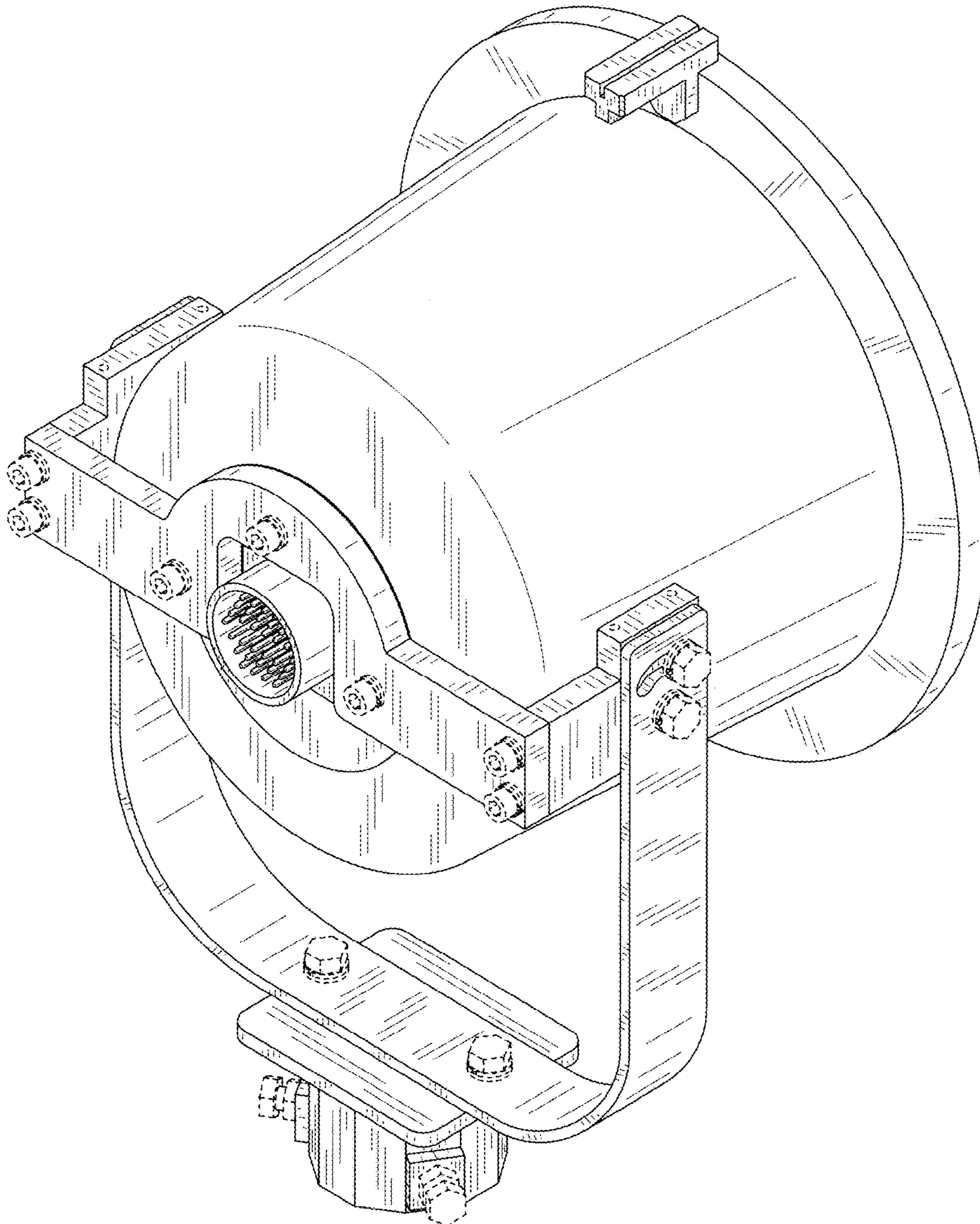


FIG. 1

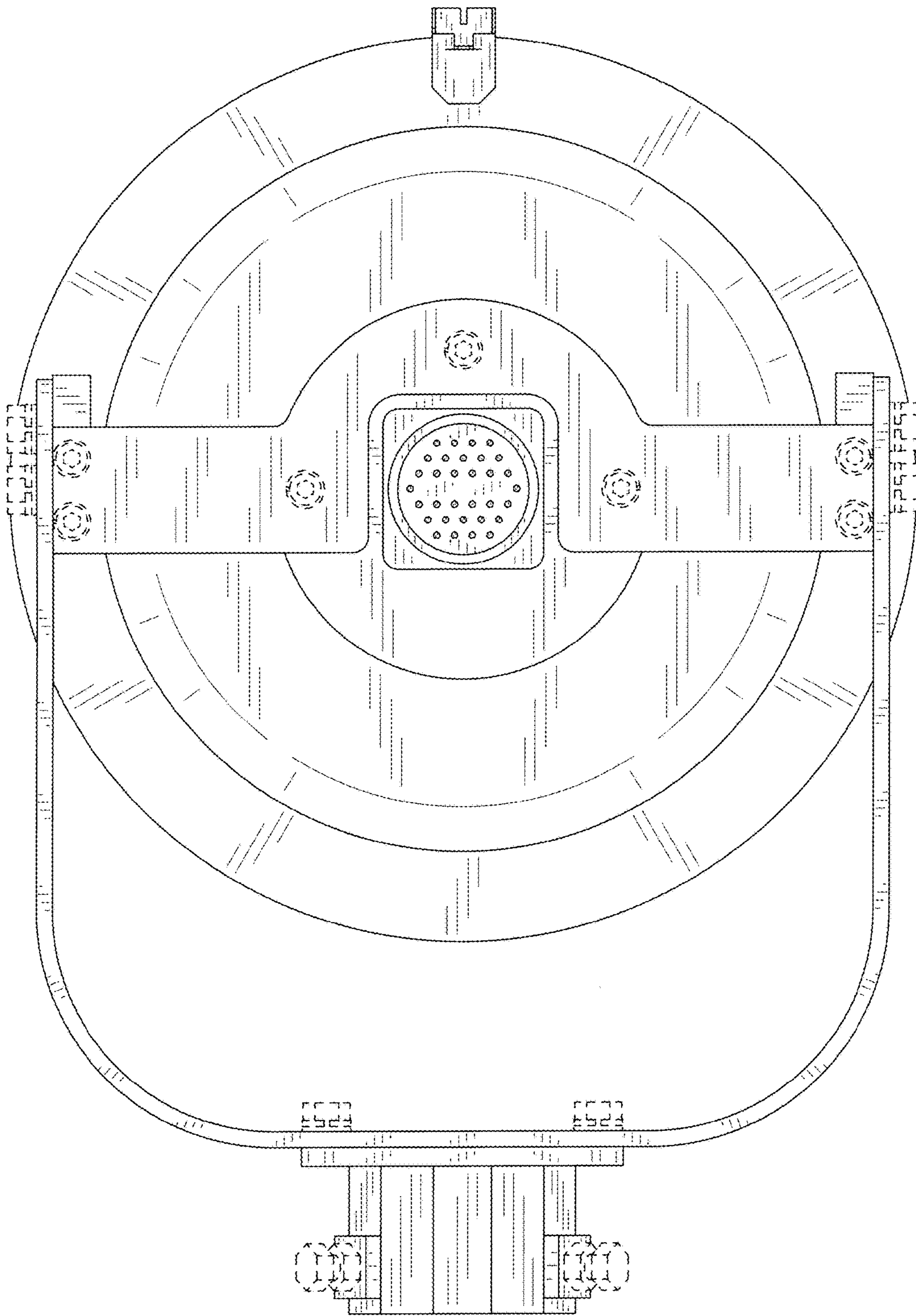


FIG. 2

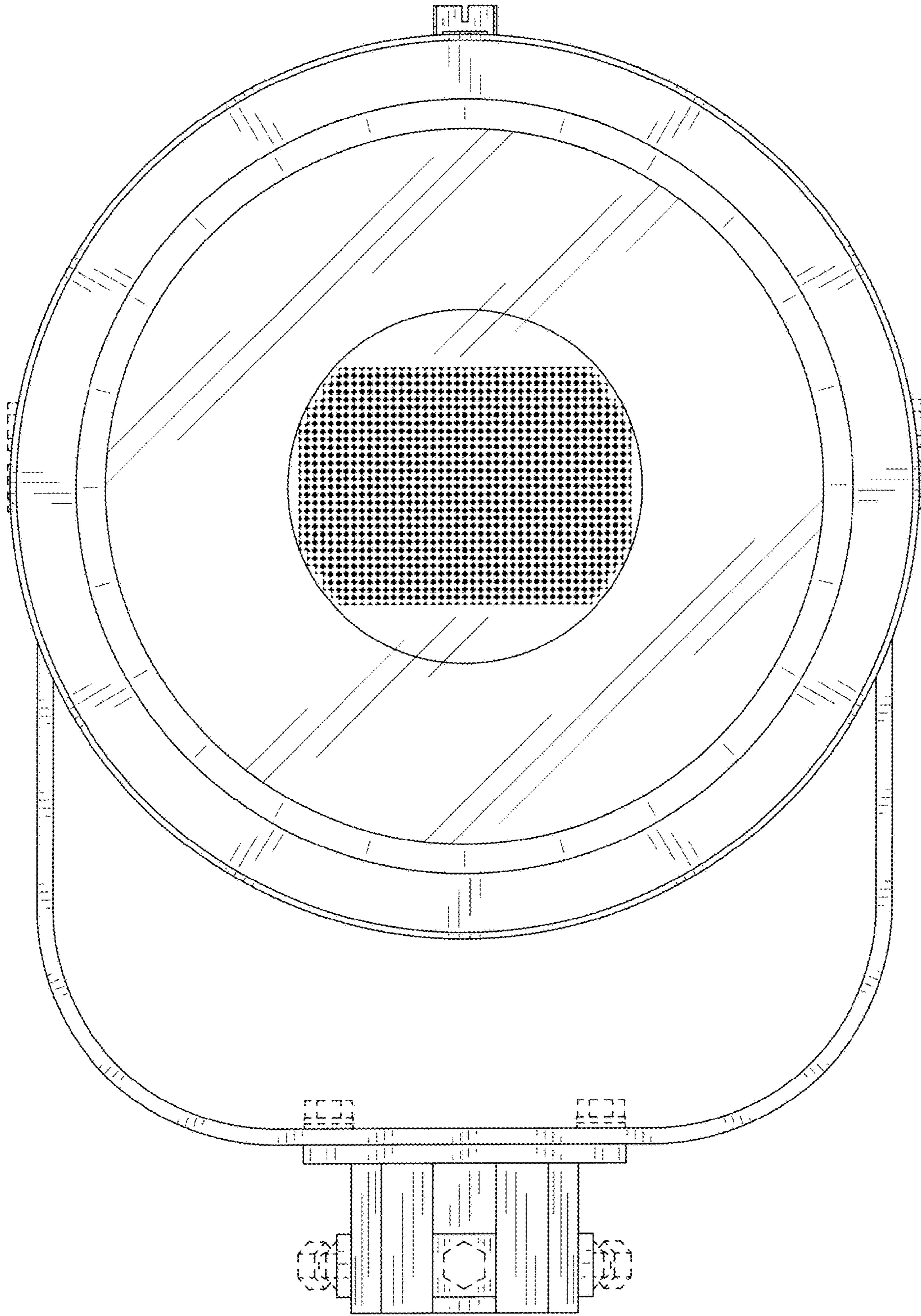


FIG. 3

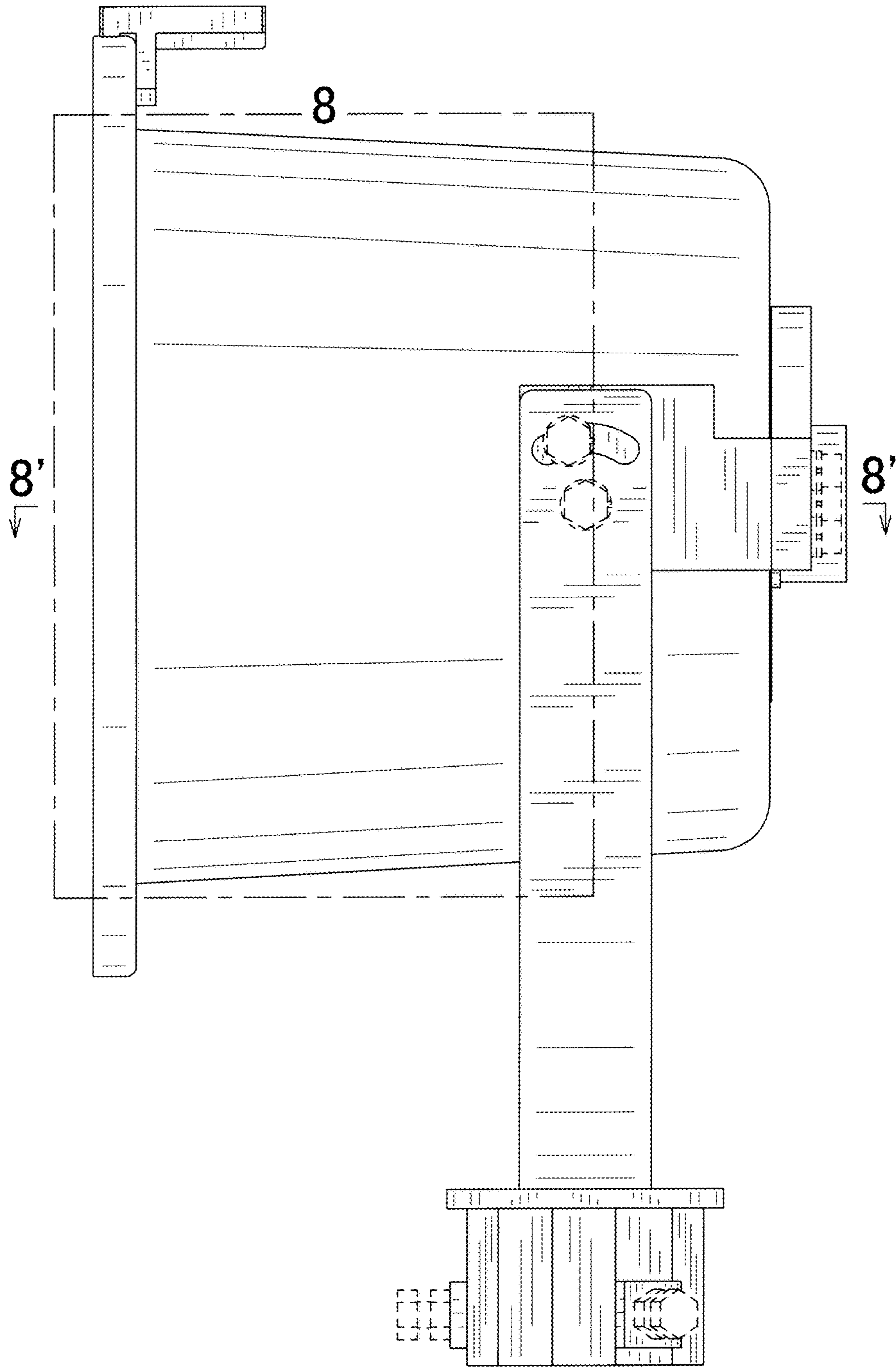


FIG. 4

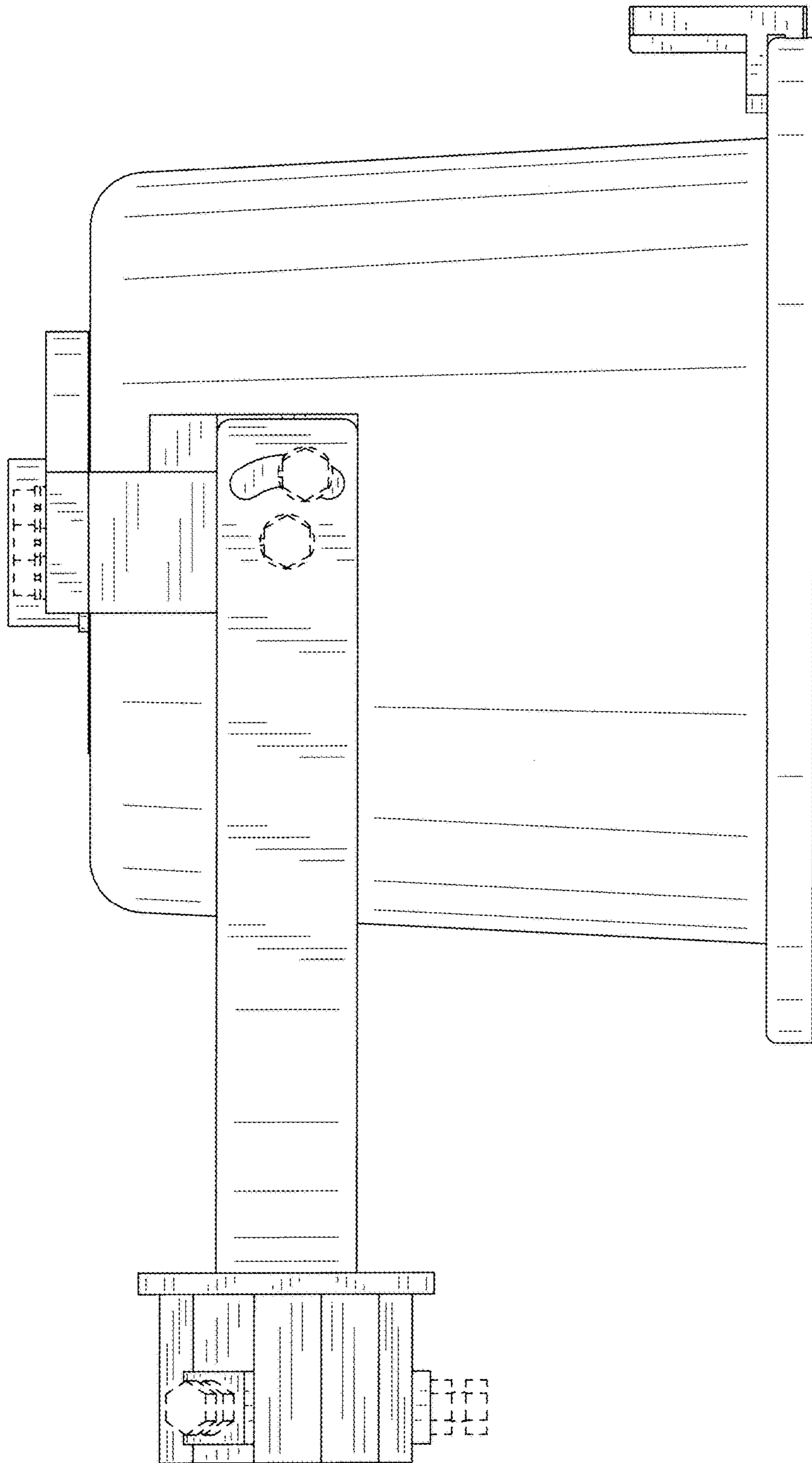


FIG. 5

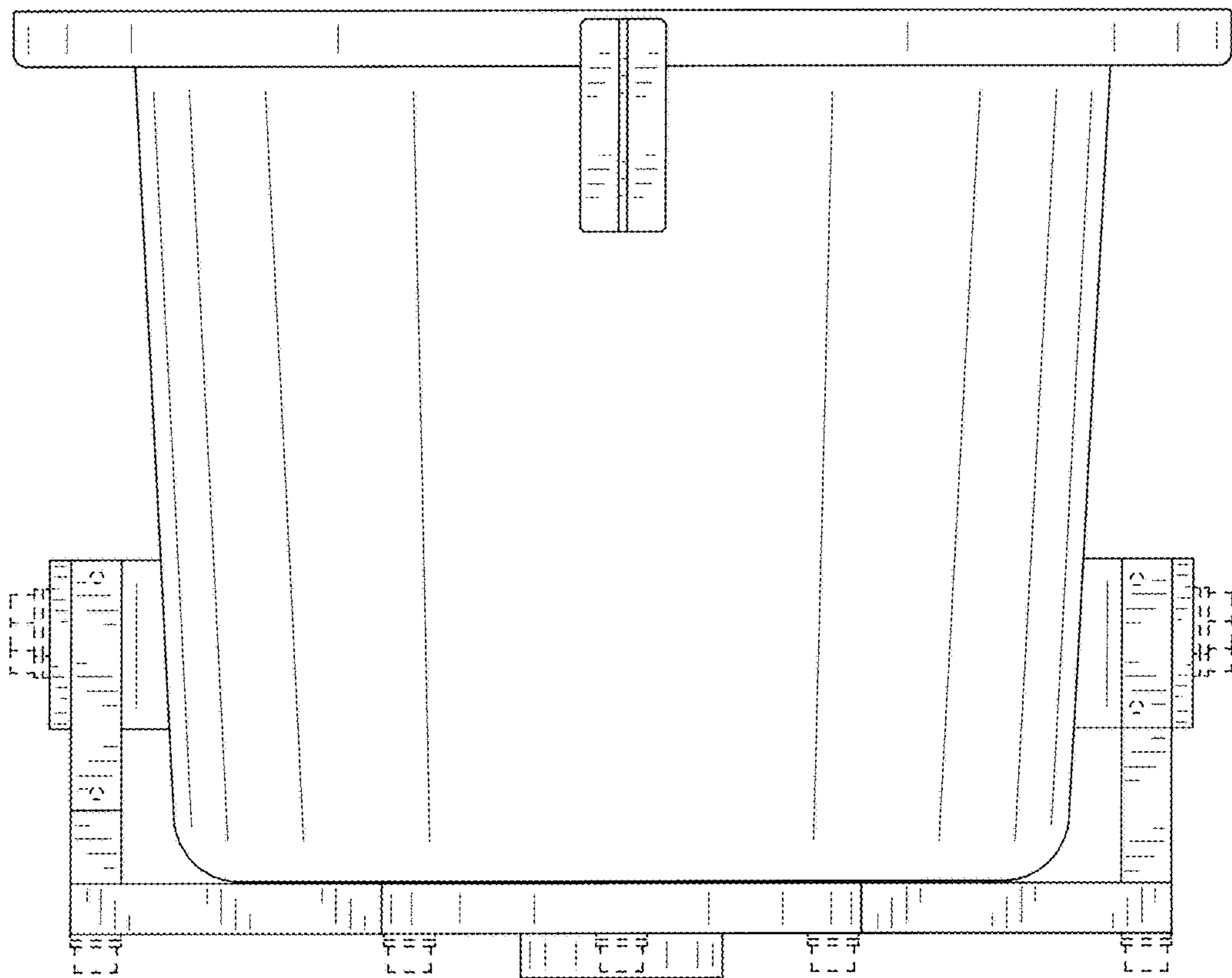


FIG. 6

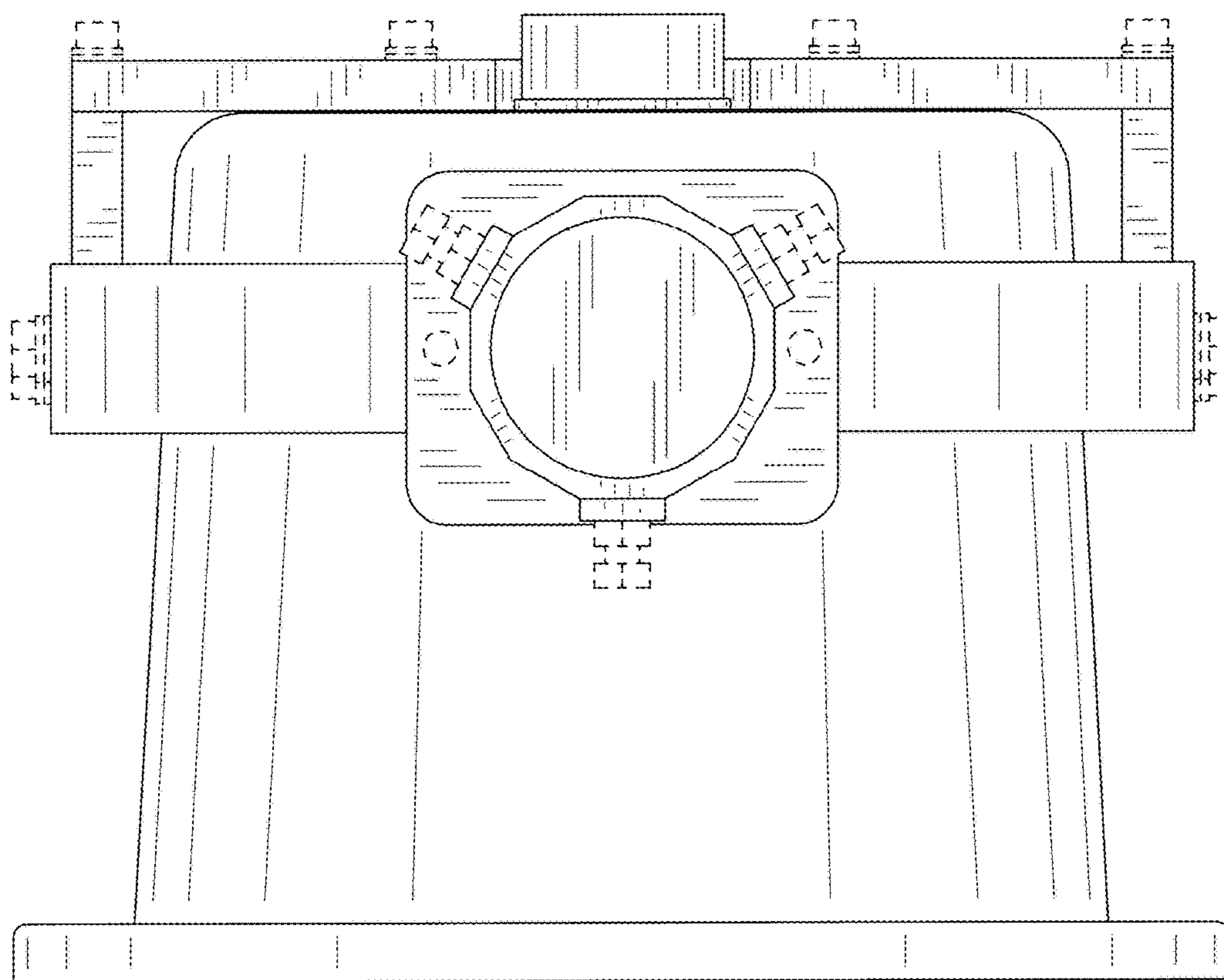


FIG. 7

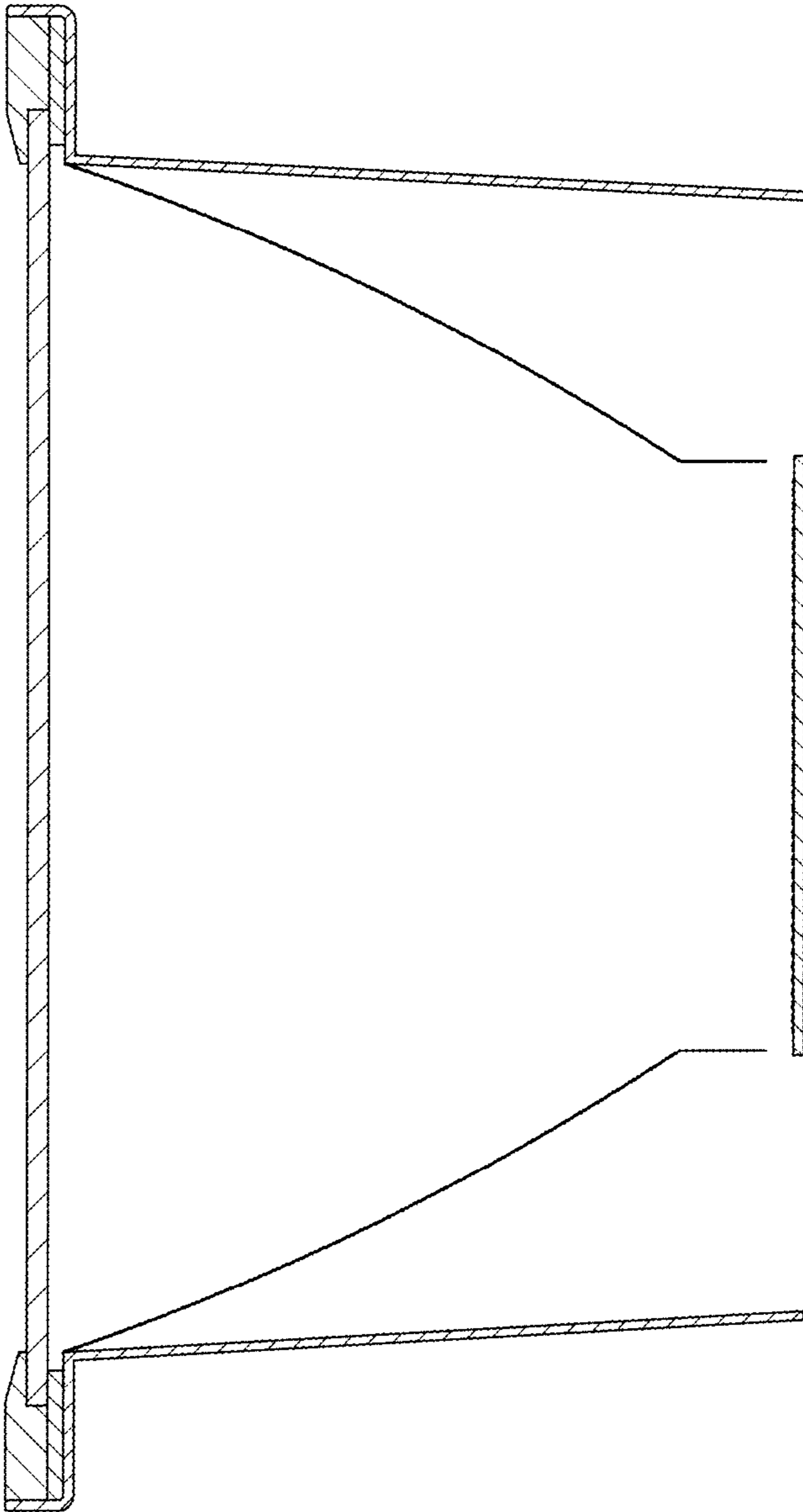


FIG. 8

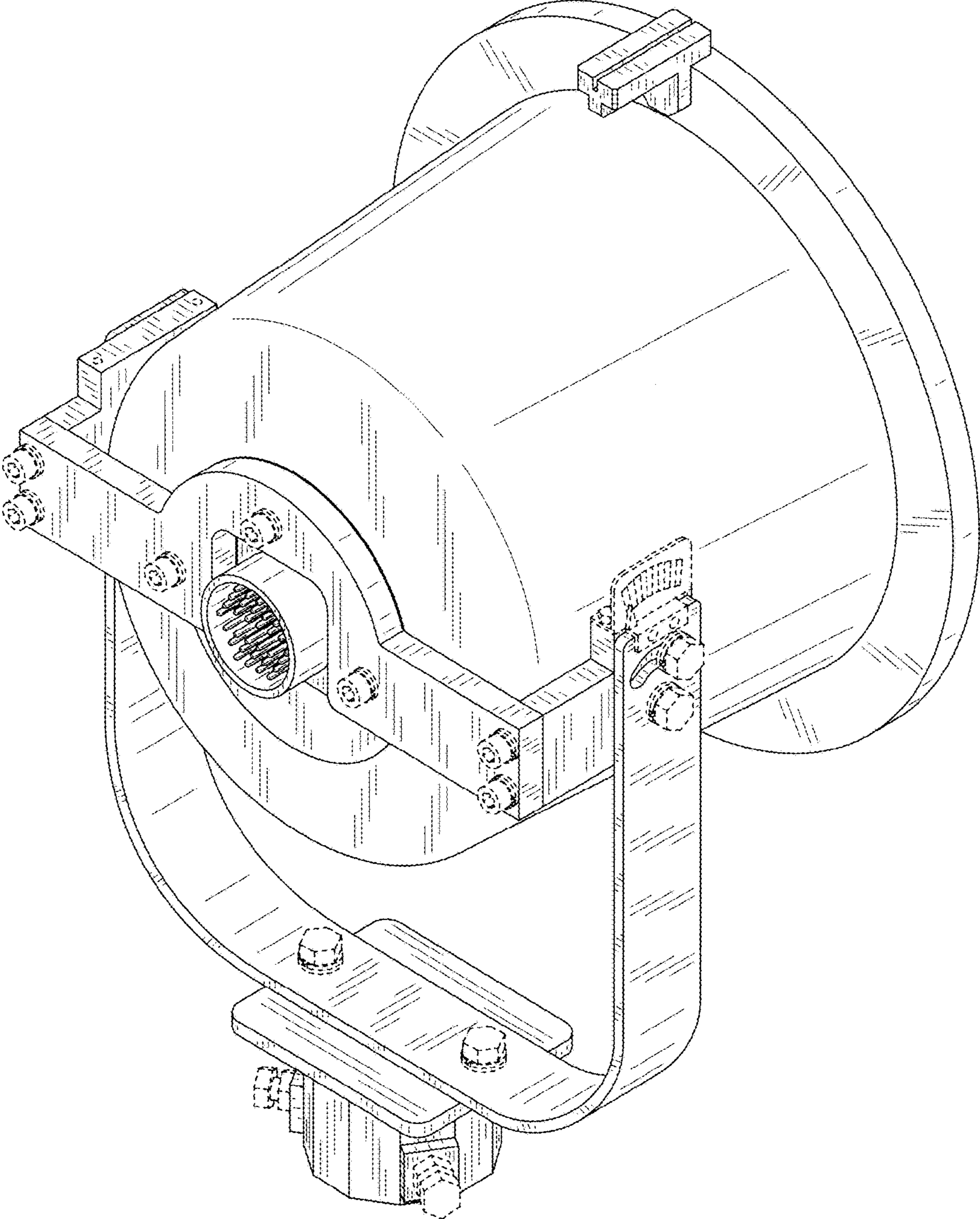


FIG. 9