



US00D821012S

(12) **United States Design Patent**
Gong

(10) **Patent No.:** **US D821,012 S**

(45) **Date of Patent:** **** Jun. 19, 2018**

(54) **LED PAR LIGHT**

D713,594 S * 9/2014 Norris D26/118
D770,656 S * 11/2016 Quadri D26/63
D788,964 S * 6/2017 Peard D26/61

(71) Applicant: **Shenzhen Xingyueda Technology Co., LTD.**, Shenzhen (CN)

* cited by examiner

(72) Inventor: **Rongxing Gong**, Guangzhou (CN)

Primary Examiner — Brian N. Vinson

(73) Assignee: **Shenzhen Xingyueda Technology Co., Ltd.**, Shenzhen (CN)

(74) *Attorney, Agent, or Firm* — Schmeiser, Olsen & Watts, LLP

(**) Term: **15 Years**

(21) Appl. No.: **29/591,358**

(57) **CLAIM**

(22) Filed: **Jan. 19, 2017**

The ornamental design for an LED PAR light, as shown and described.

(51) **LOC (11) Cl.** **26-03**

(52) **U.S. Cl.**
USPC **D26/63**

(58) **Field of Classification Search**
USPC D26/1, 24, 61, 63, 65, 85, 92, 118
CPC F21V 21/14; F21V 15/01; F21V 14/02;
F21V 21/30; F21V 21/00; F21V 14/00;
F21S 8/00; F21S 8/003; F21S 8/043;
F21Y 2105/001

DESCRIPTION

See application file for complete search history.

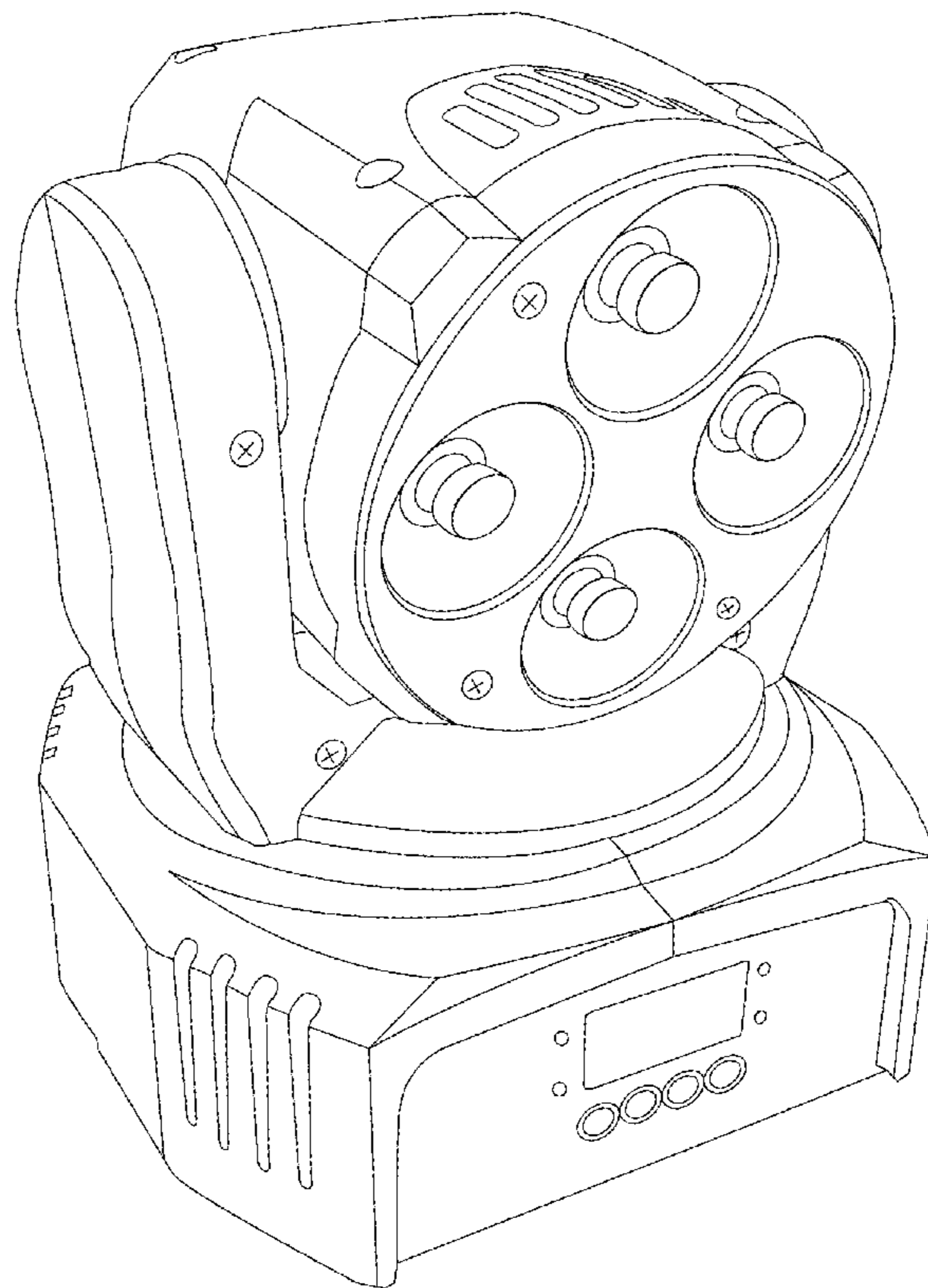
FIG. 1 is a Front elevational view of an LED PAR light showing my new design;
FIG. 2 is a Rear elevational view thereof;
FIG. 3 is a Left side view thereof;
FIG. 4 is a Right side view thereof;
FIG. 5 is a Top plan view thereof;
FIG. 6 is a Bottom plan view thereof; and,
FIG. 7 is a Perspective view thereof.

(56) **References Cited**

U.S. PATENT DOCUMENTS

D639,983 S * 6/2011 Quadri D26/61
D712,085 S * 8/2014 Kjaergaard Toft D26/118

1 Claim, 7 Drawing Sheets



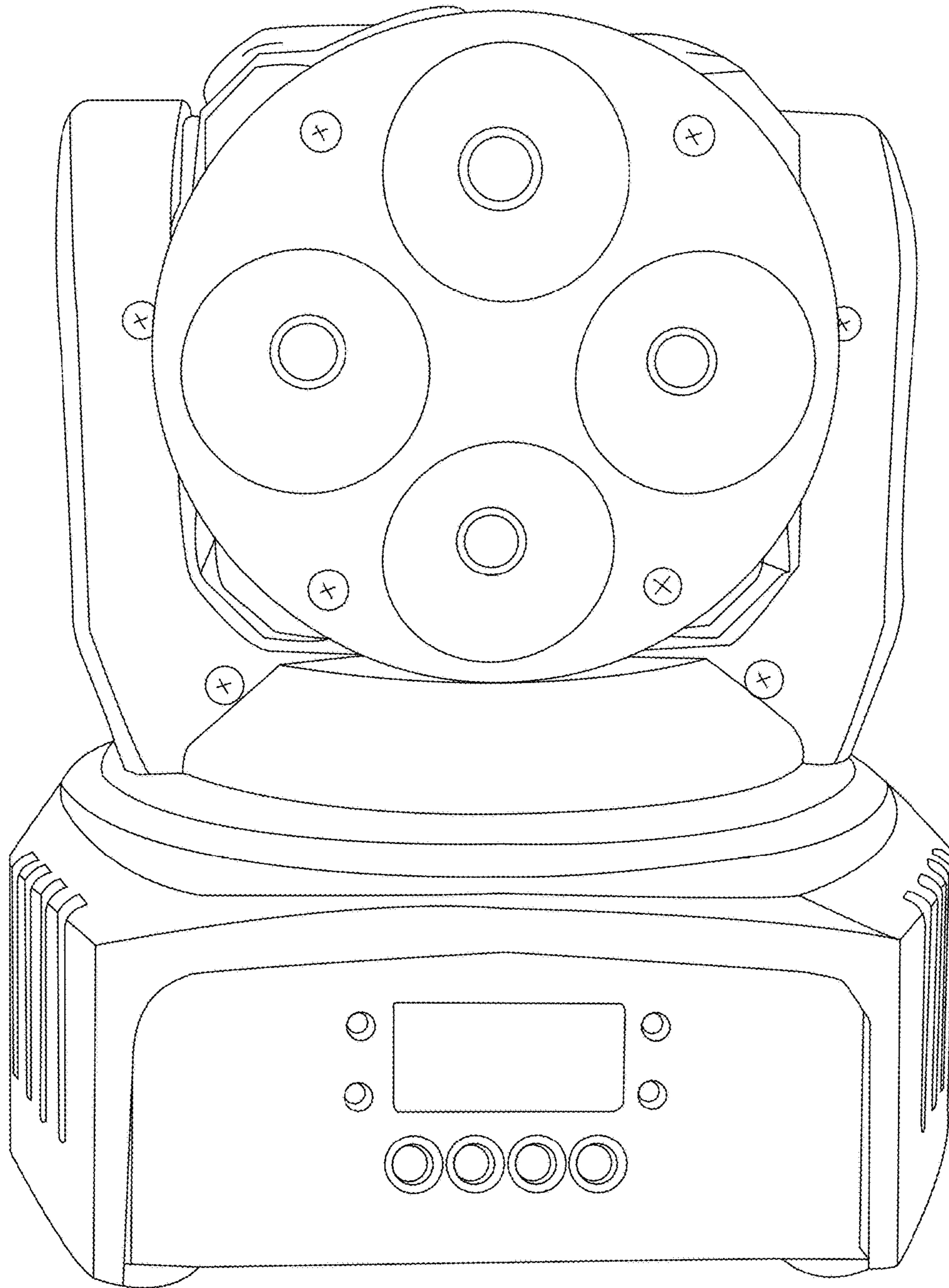


FIG. 1

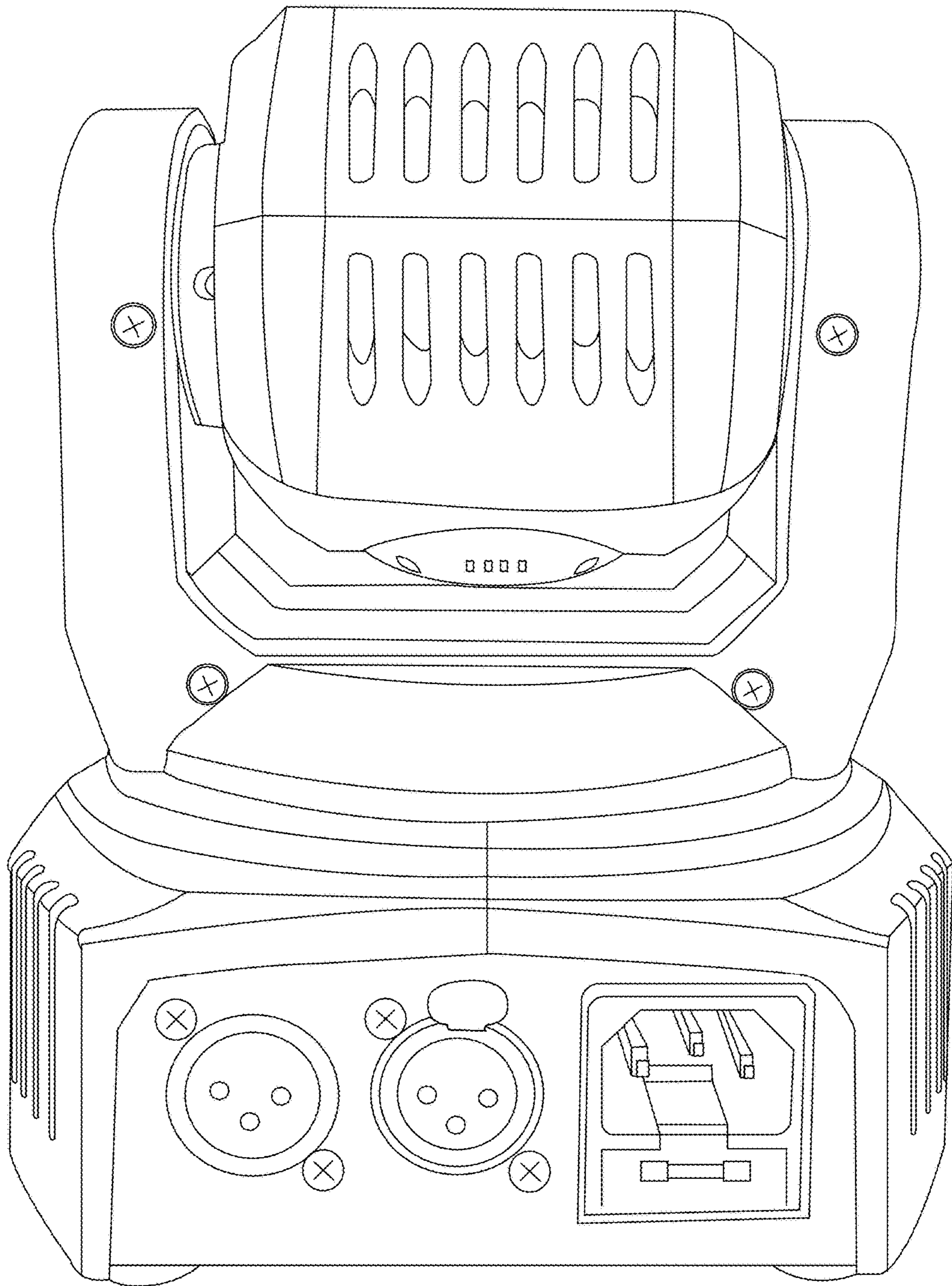


FIG. 2

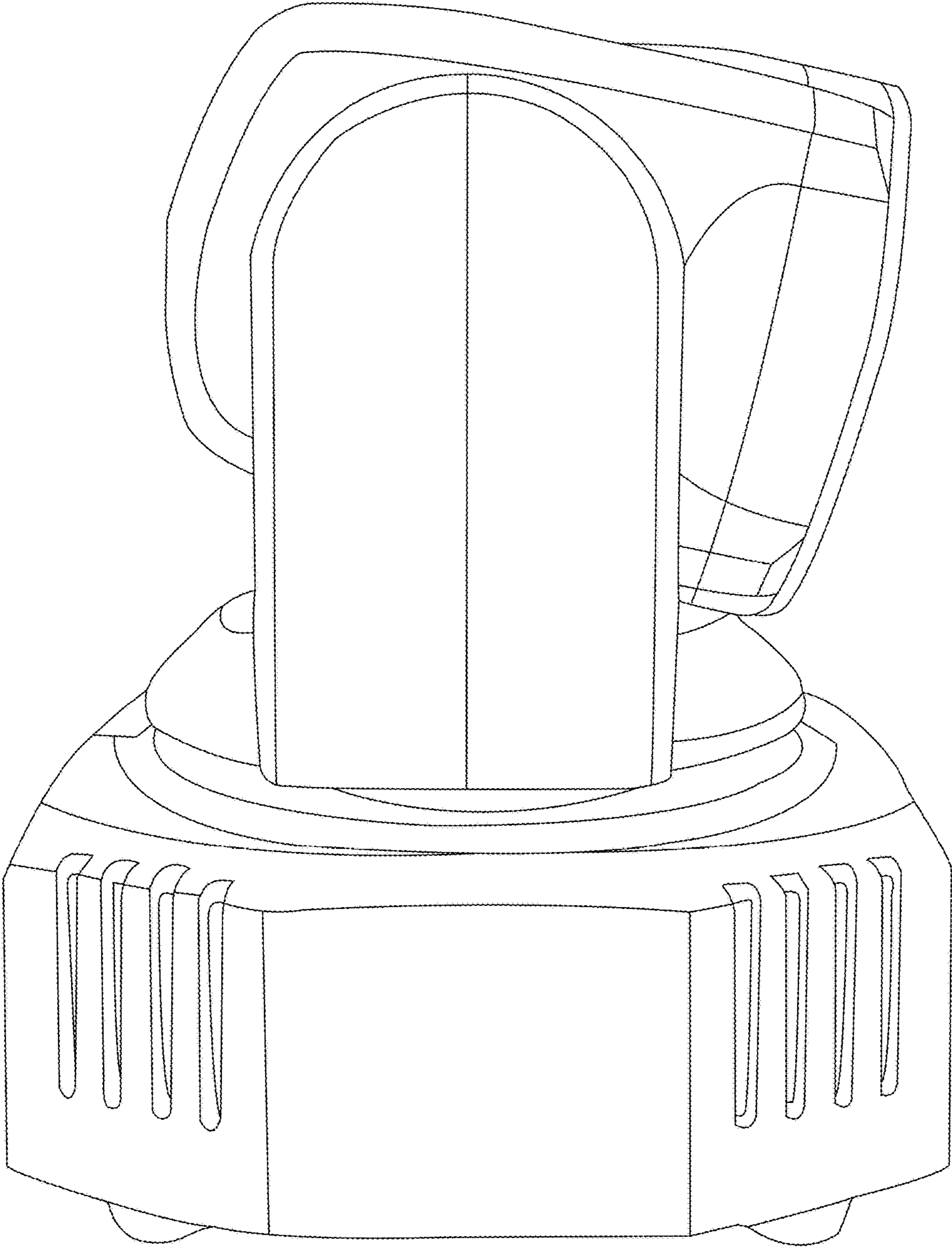


FIG. 3

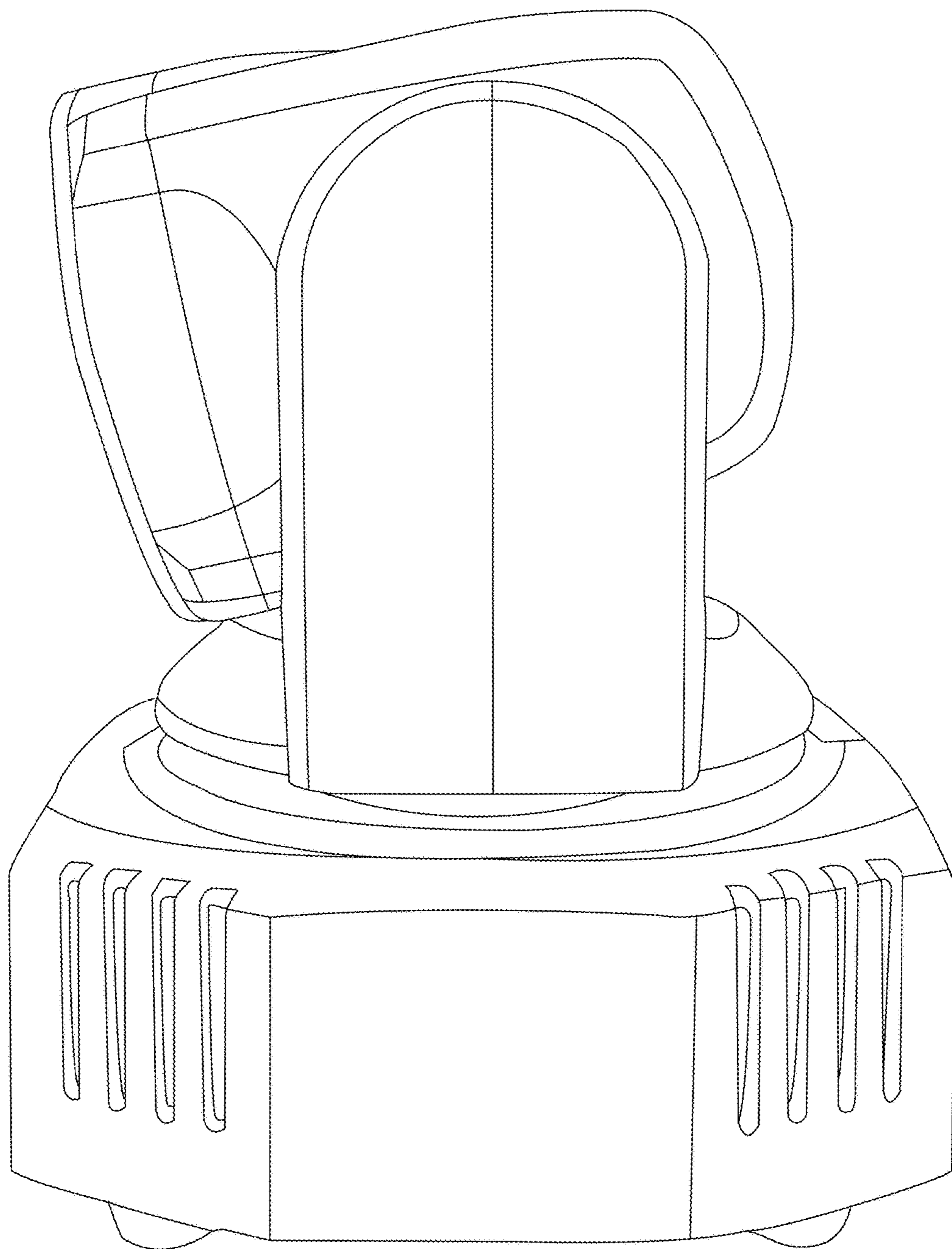


FIG. 4

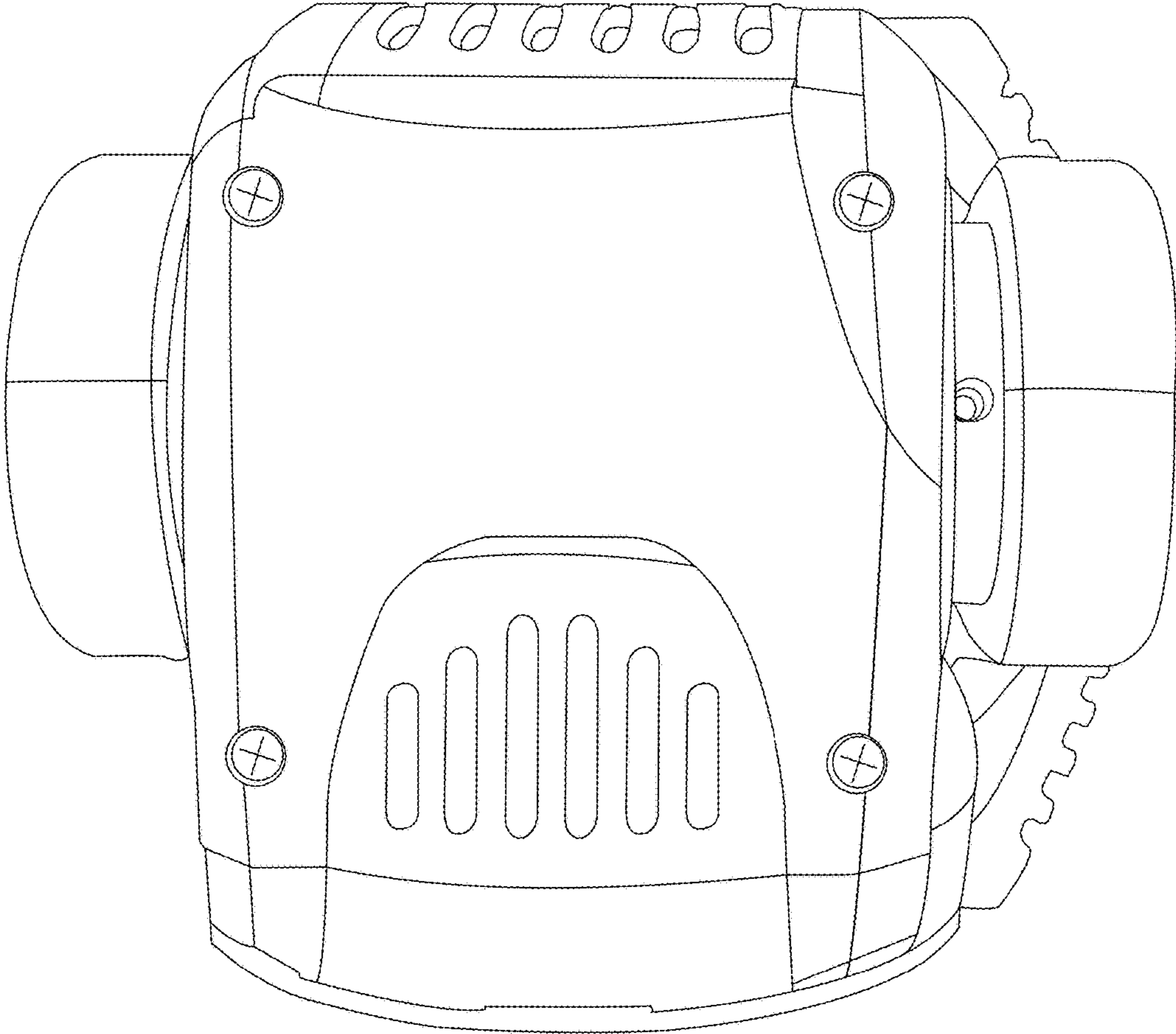


FIG. 5

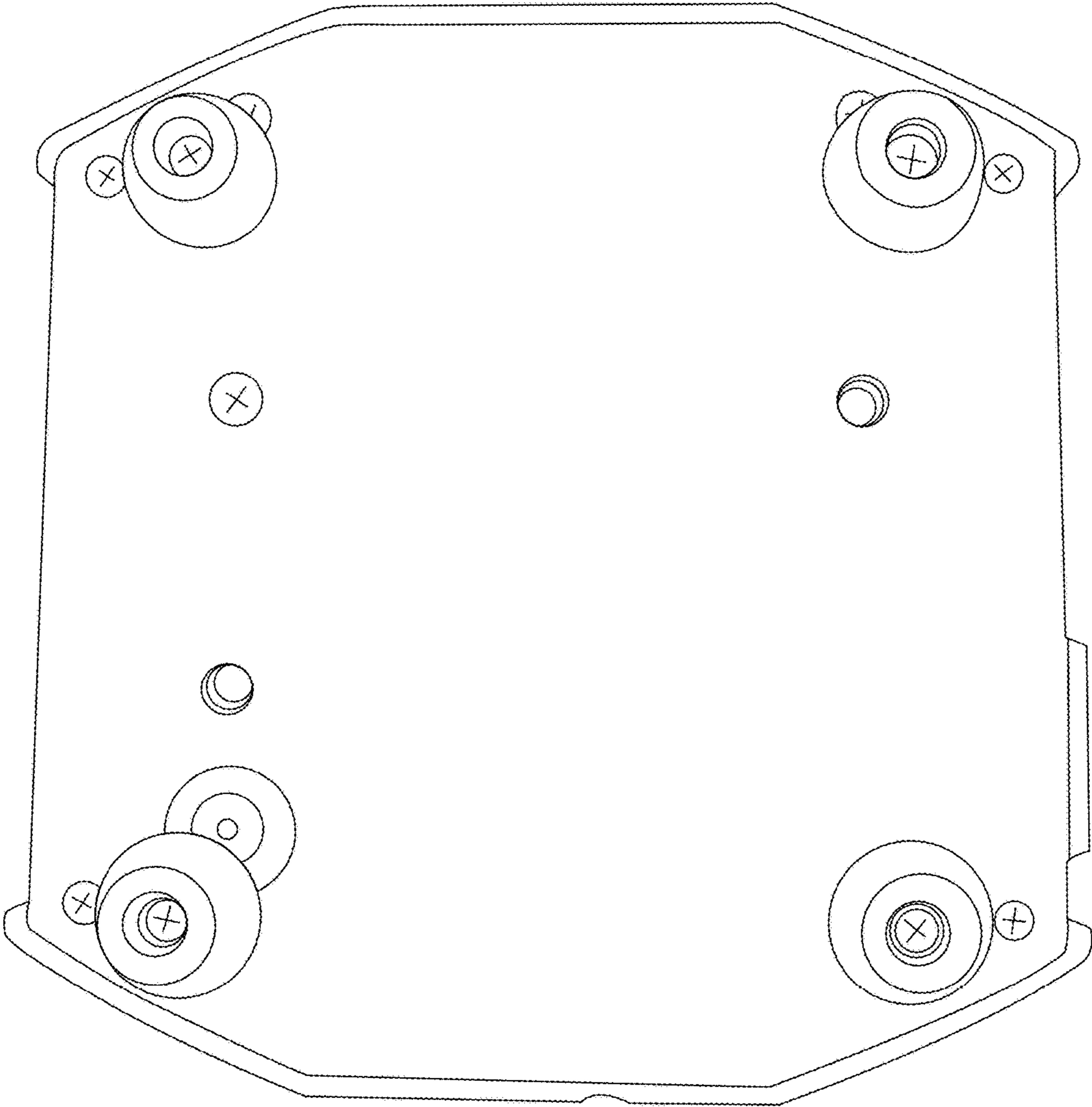


FIG. 6

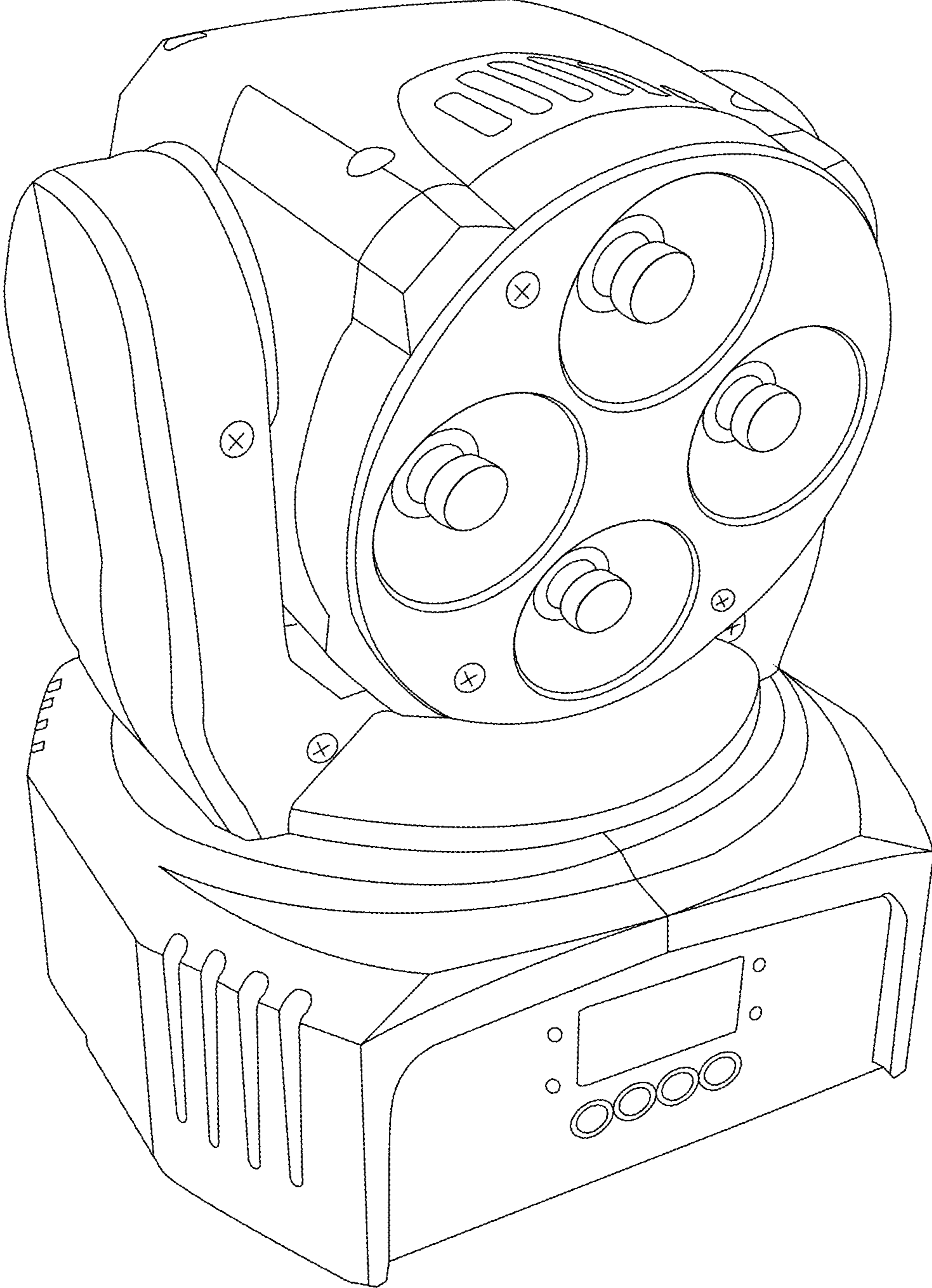


FIG. 7