



US00D821011S

(12) **United States Design Patent**
Yan

(10) **Patent No.:** **US D821,011 S**

(45) **Date of Patent:** **** Jun. 19, 2018**

(54) **LAMP**

(71) Applicant: **GUANGZHOU ZHILAN
E-COMMERCE CO., LTD,**
Guangzhou, Guangdong (CN)

(72) Inventor: **Riqin Yan,** Guangdong (CN)

(73) Assignee: **GUANGZHOU ZHILAN
E-COMMERCE CO., LTD,**
Guangzhou (CN)

(**) Term: **15 Years**

(21) Appl. No.: **29/583,309**

(22) Filed: **Nov. 3, 2016**

(51) **LOC (11) Cl.** **26-03**

(52) **U.S. Cl.**
USPC **D26/63**

(58) **Field of Classification Search**
USPC D26/1, 24, 61, 63, 65, 85, 92, 118
CPC F21V 21/14; F21V 15/01; F21V 14/02;
F21V 21/30; F21V 21/00; F21V 14/00;
F21S 8/00; F21S 8/003; F21S 8/043;
F21Y 2105/001
See application file for complete search history.

(56) **References Cited**

U.S. PATENT DOCUMENTS

D355,502 S * 2/1995 Liao D26/63
D693,509 S * 11/2013 Hosick D26/63
D695,435 S * 12/2013 Pedersen D26/63
D732,219 S * 6/2015 Adams D26/63

D757,975 S * 5/2016 Lo Chun Tung D26/63
D775,393 S * 12/2016 Adams D26/63
D775,403 S * 12/2016 Adams D26/118
D782,092 S * 3/2017 Heiner D26/63
D782,718 S * 3/2017 Ko D26/63
D784,599 S * 4/2017 Sibitzky D26/118

FOREIGN PATENT DOCUMENTS

CN 302984493 S 10/2014

* cited by examiner

Primary Examiner — Brian N. Vinson

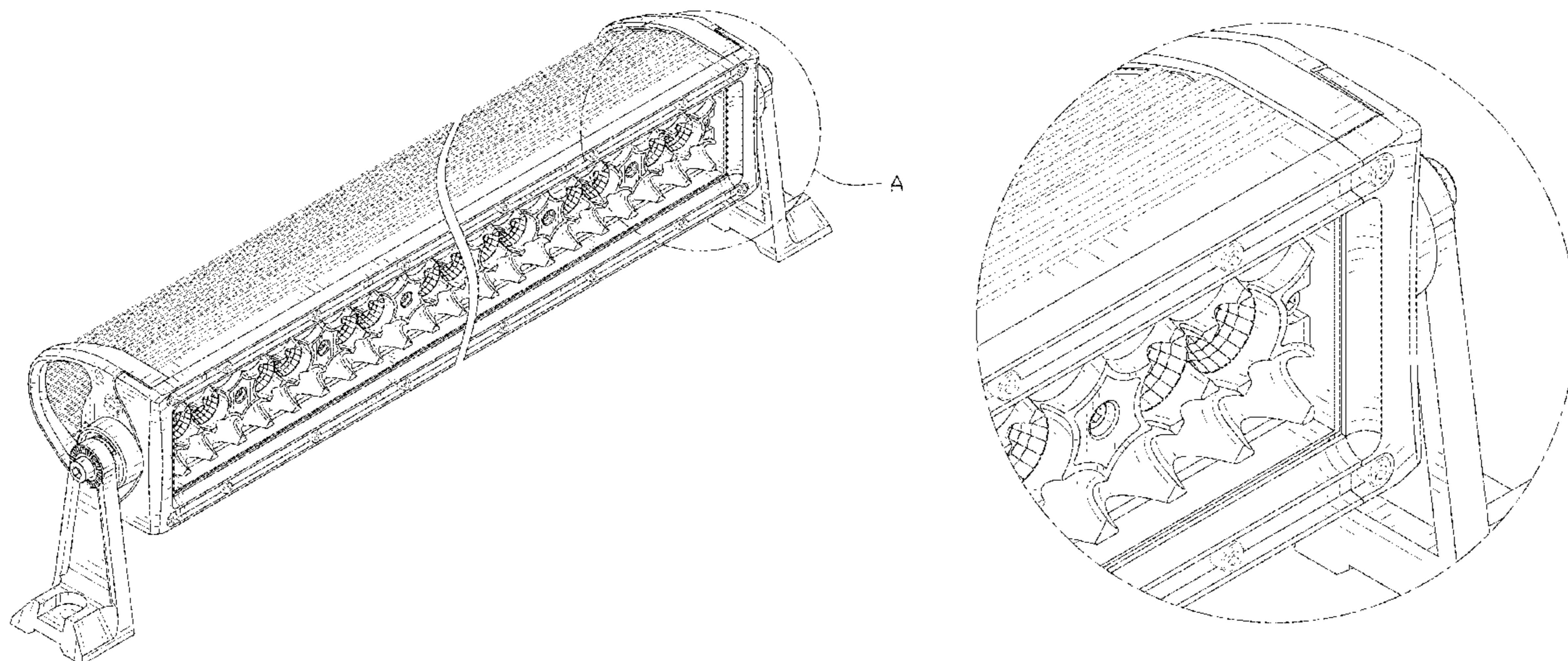
(57) **CLAIM**

The ornamental design for a lamp, as shown and described.

DESCRIPTION

FIG. 1 is a front elevational view of a lamp showing my new design;
FIG. 2 is a rear elevational view thereof;
FIG. 3 is a left side view thereof;
FIG. 4 is a right side view thereof;
FIG. 5 is a top plan view thereof;
FIG. 6 is a bottom plan view thereof;
FIG. 7 is a first perspective view thereof;
FIG. 8 is a second perspective view thereof;
FIG. 9 is a third perspective view thereof;
FIG. 10 is an enlarged view of portion A of FIG. 7; and,
FIG. 11 is an enlarged view of portion B of FIG. 9.
The broken lines in the views represent portions of the lamp which form no part of the claimed design, and the area between the parallel lines which show the lamp broken away form no part of the claimed design.

1 Claim, 11 Drawing Sheets



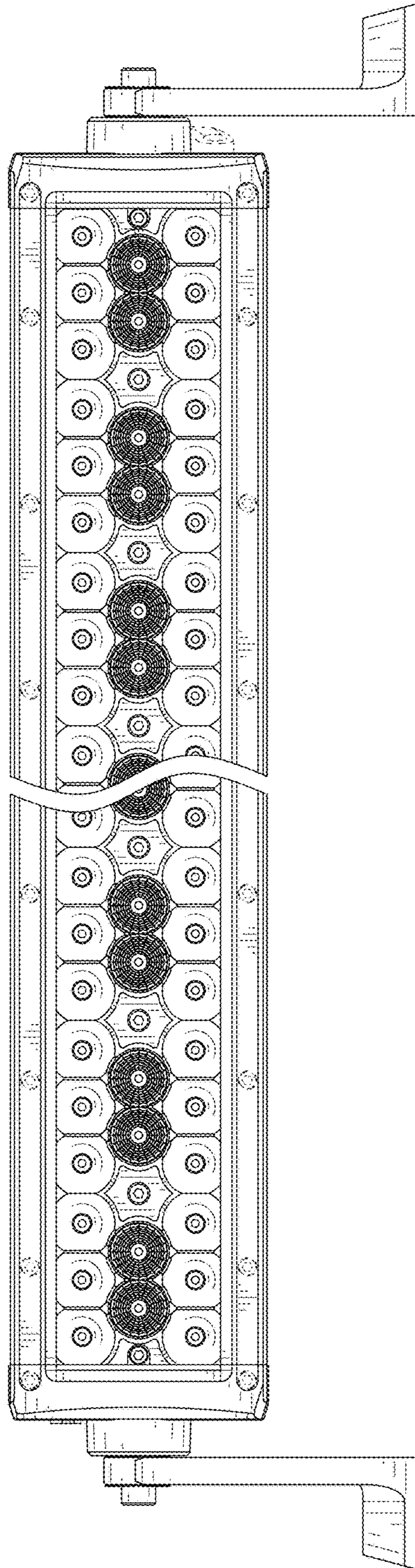


Fig. 1

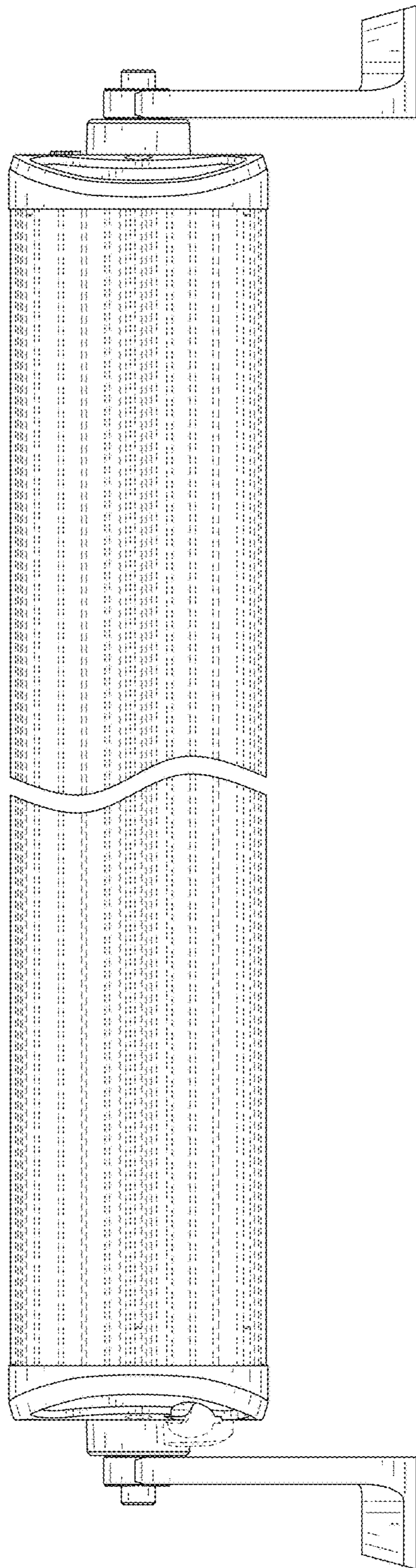


Fig. 2

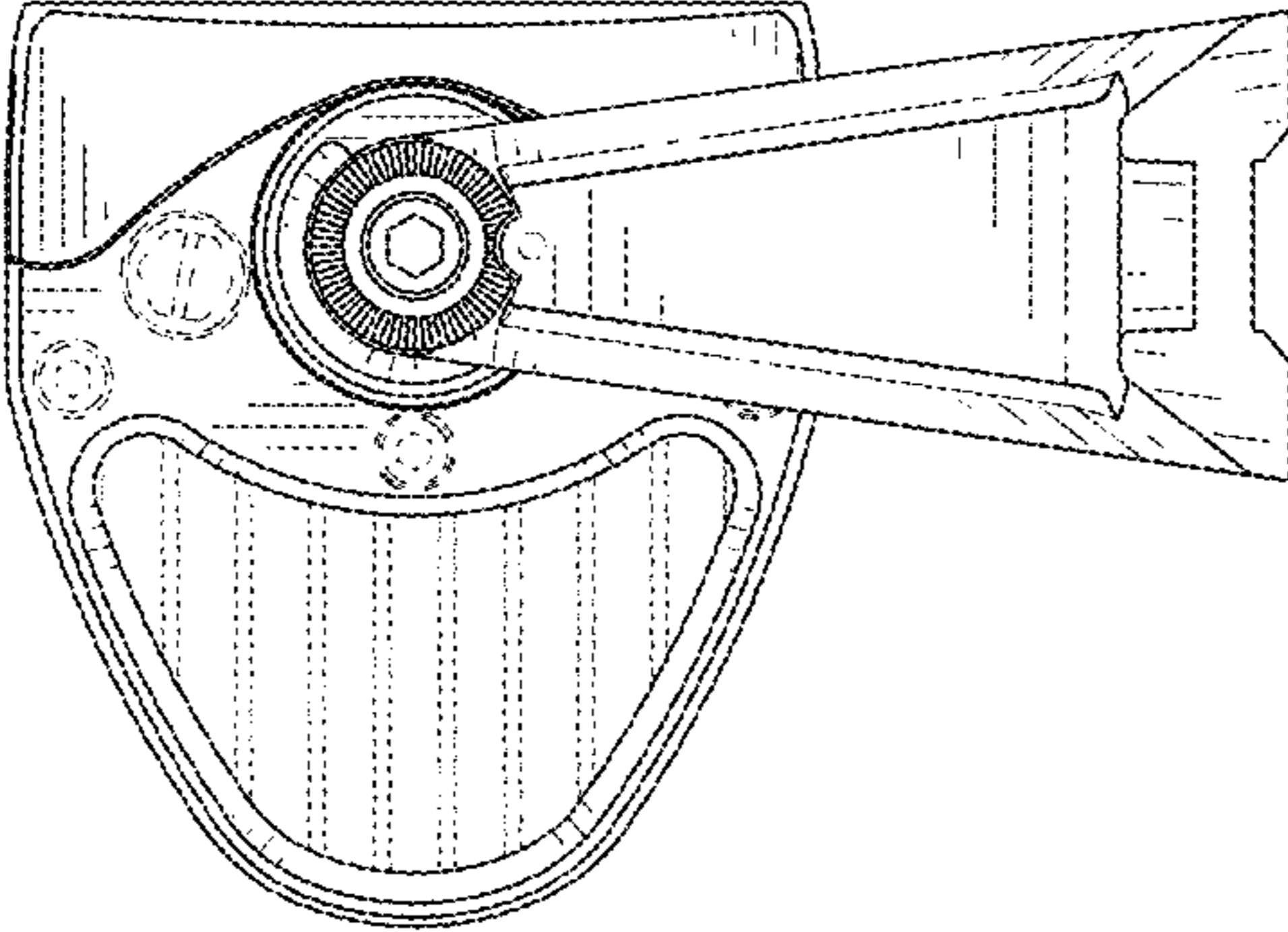


Fig. 3

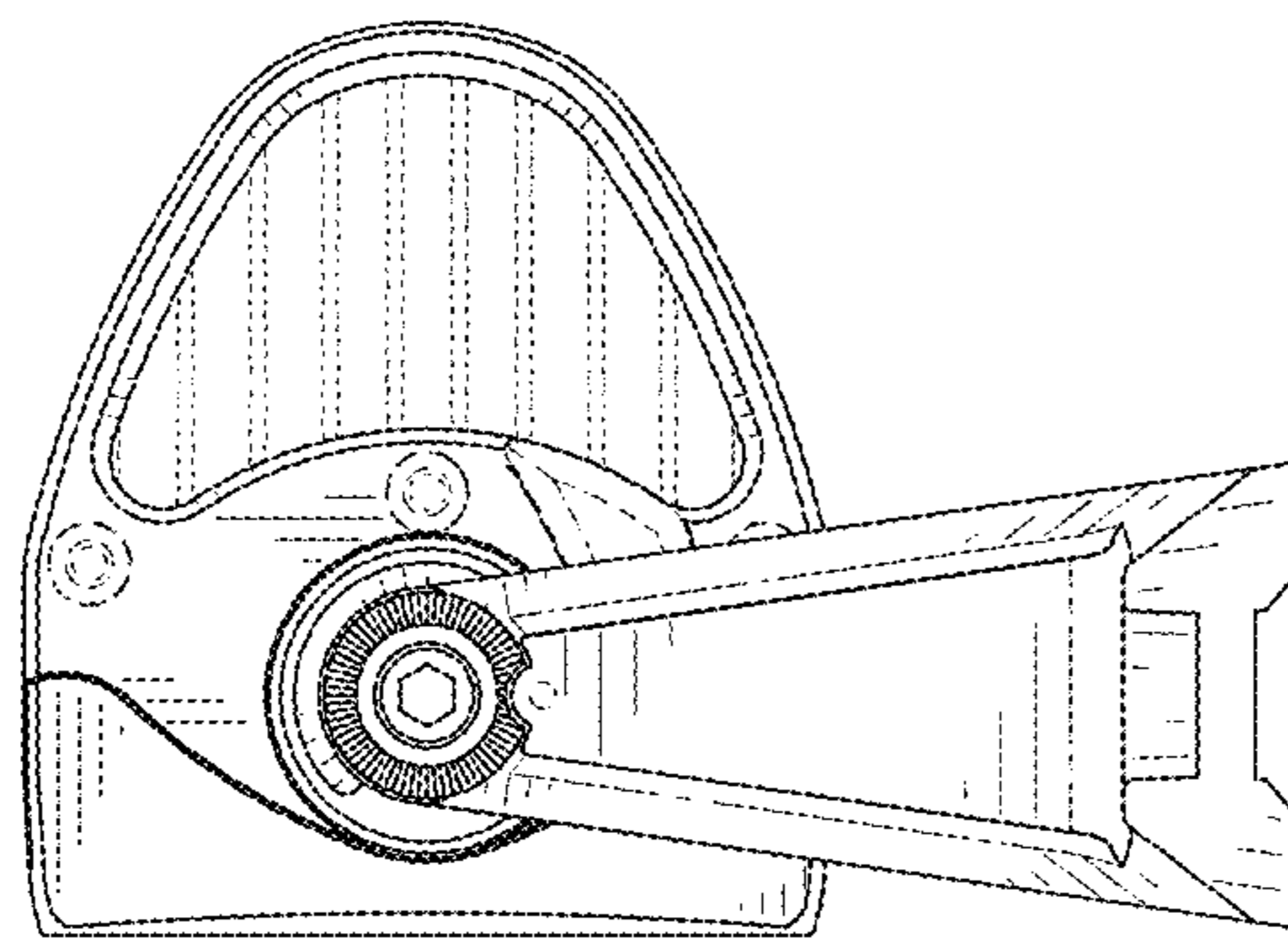


Fig. 4

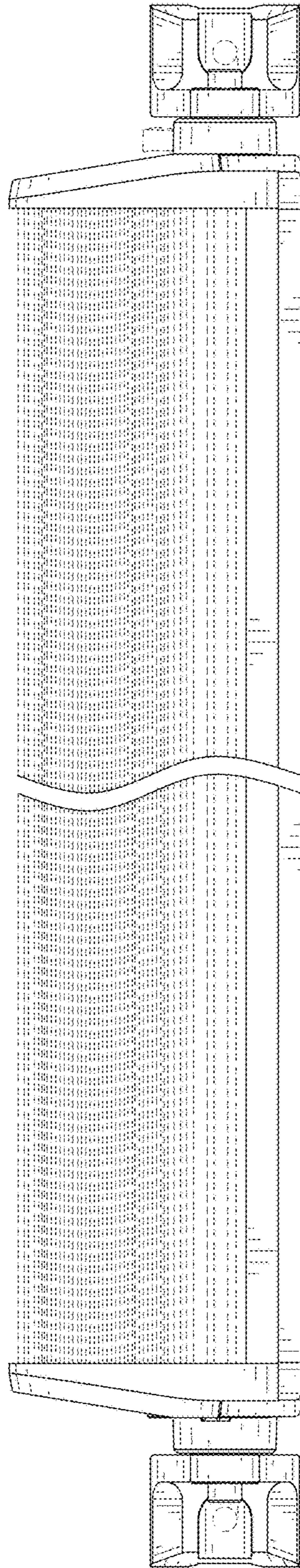


Fig. 5

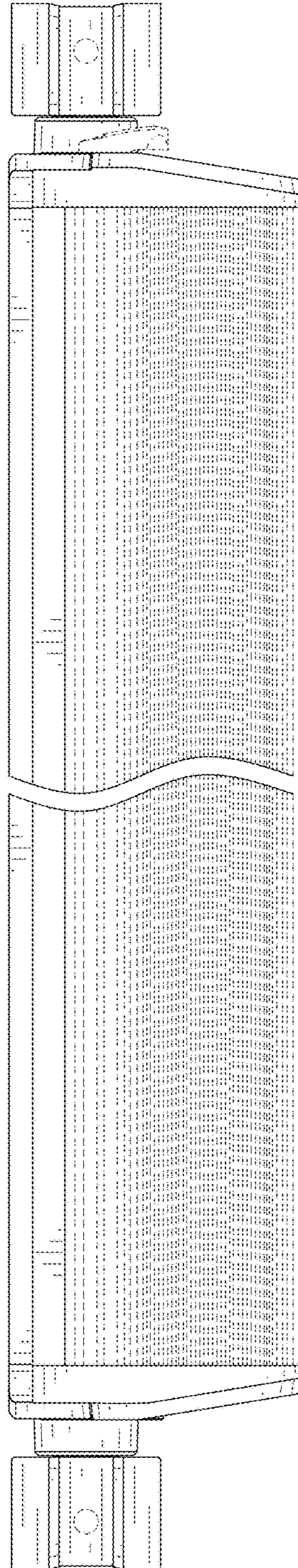


Fig. 6

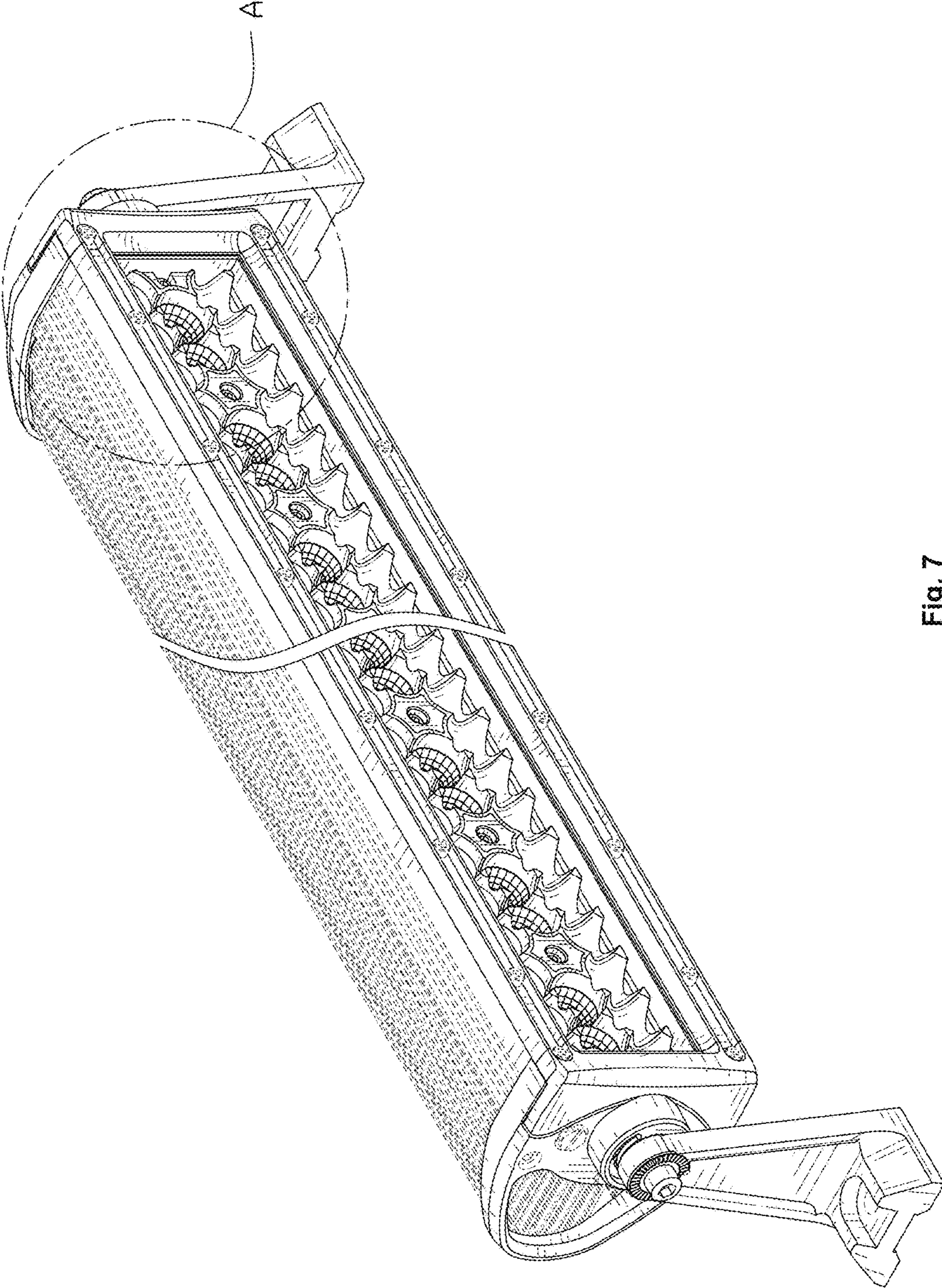


Fig. 7

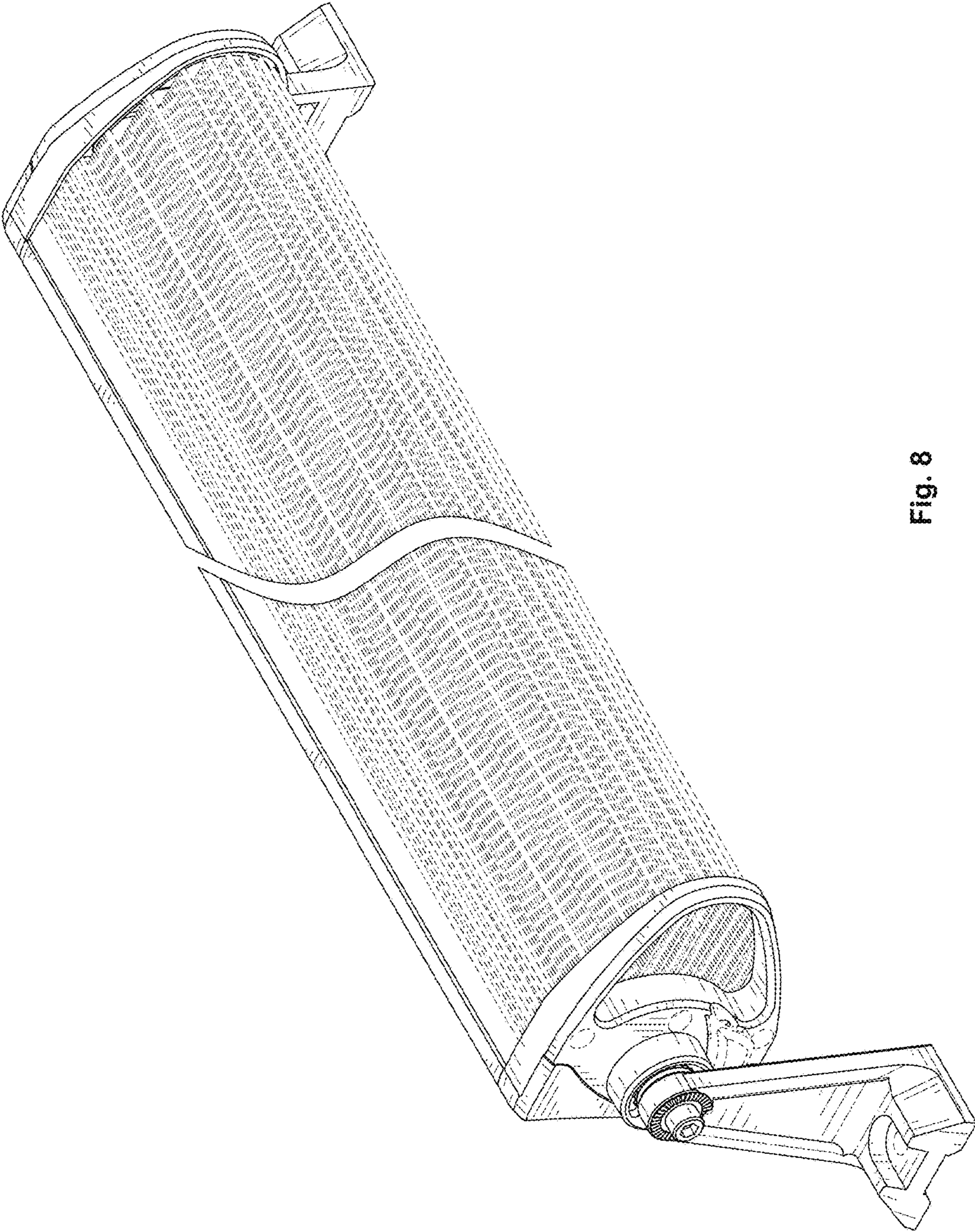


Fig. 8

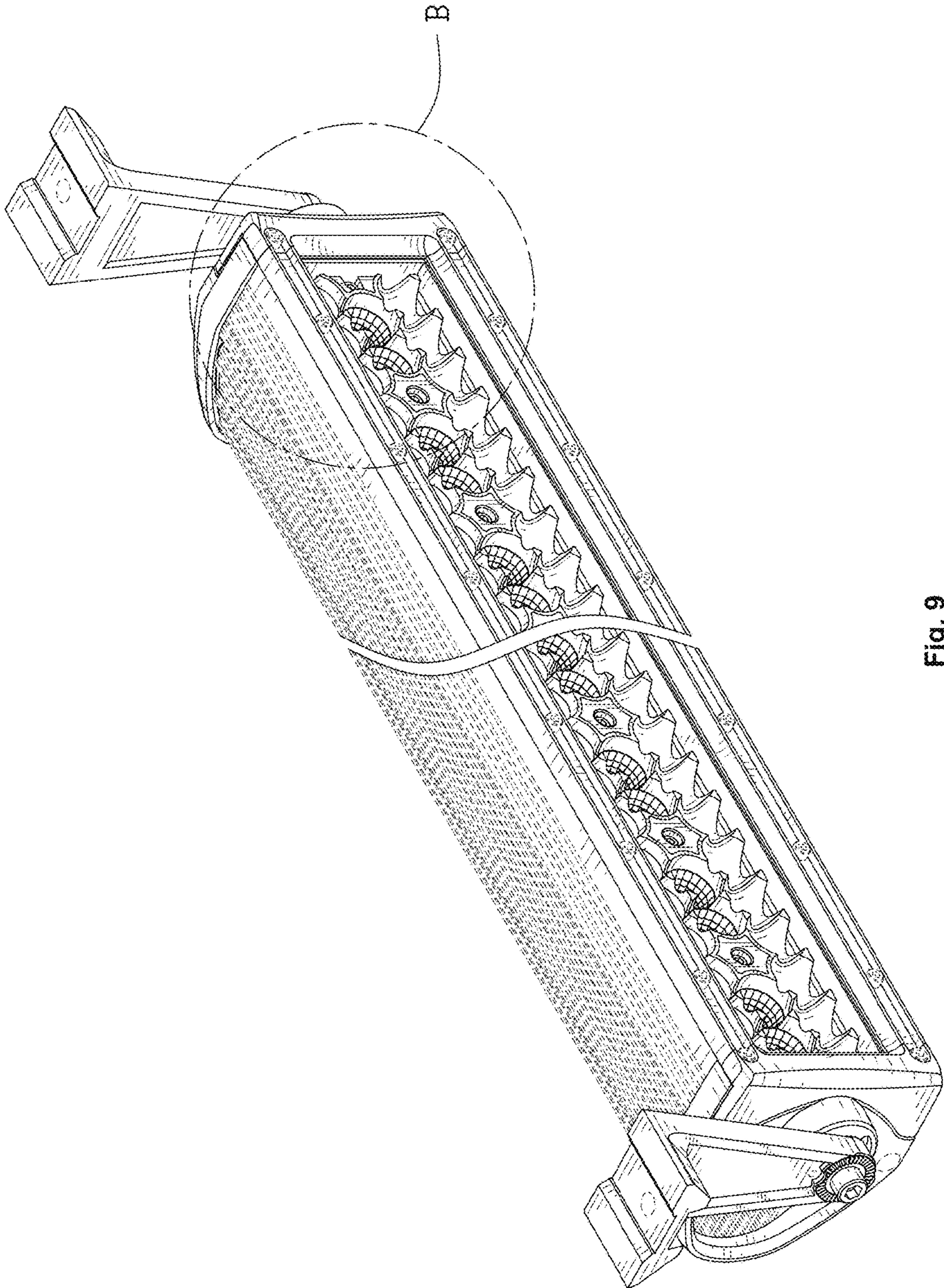


Fig. 9

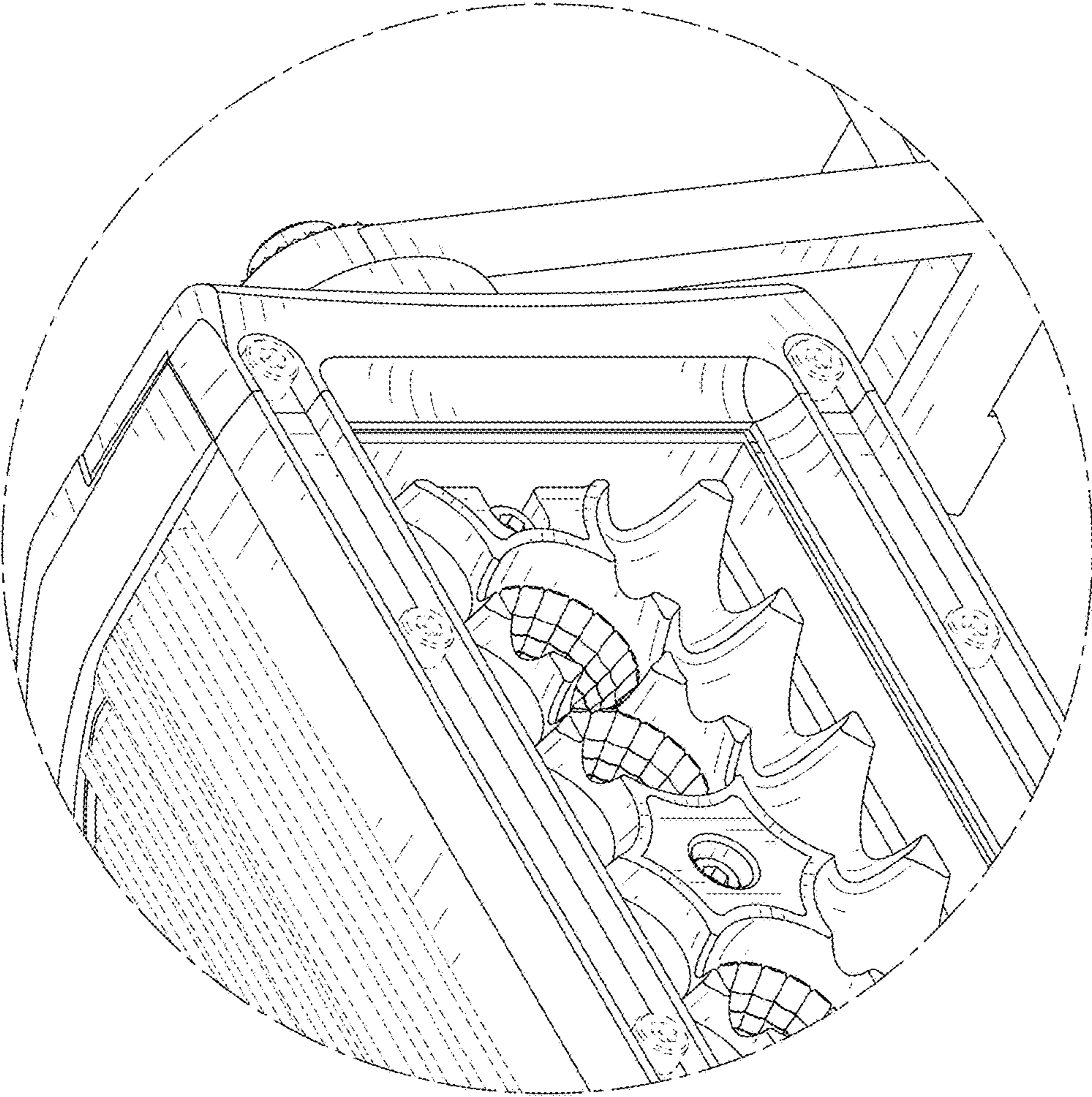


Fig. 10

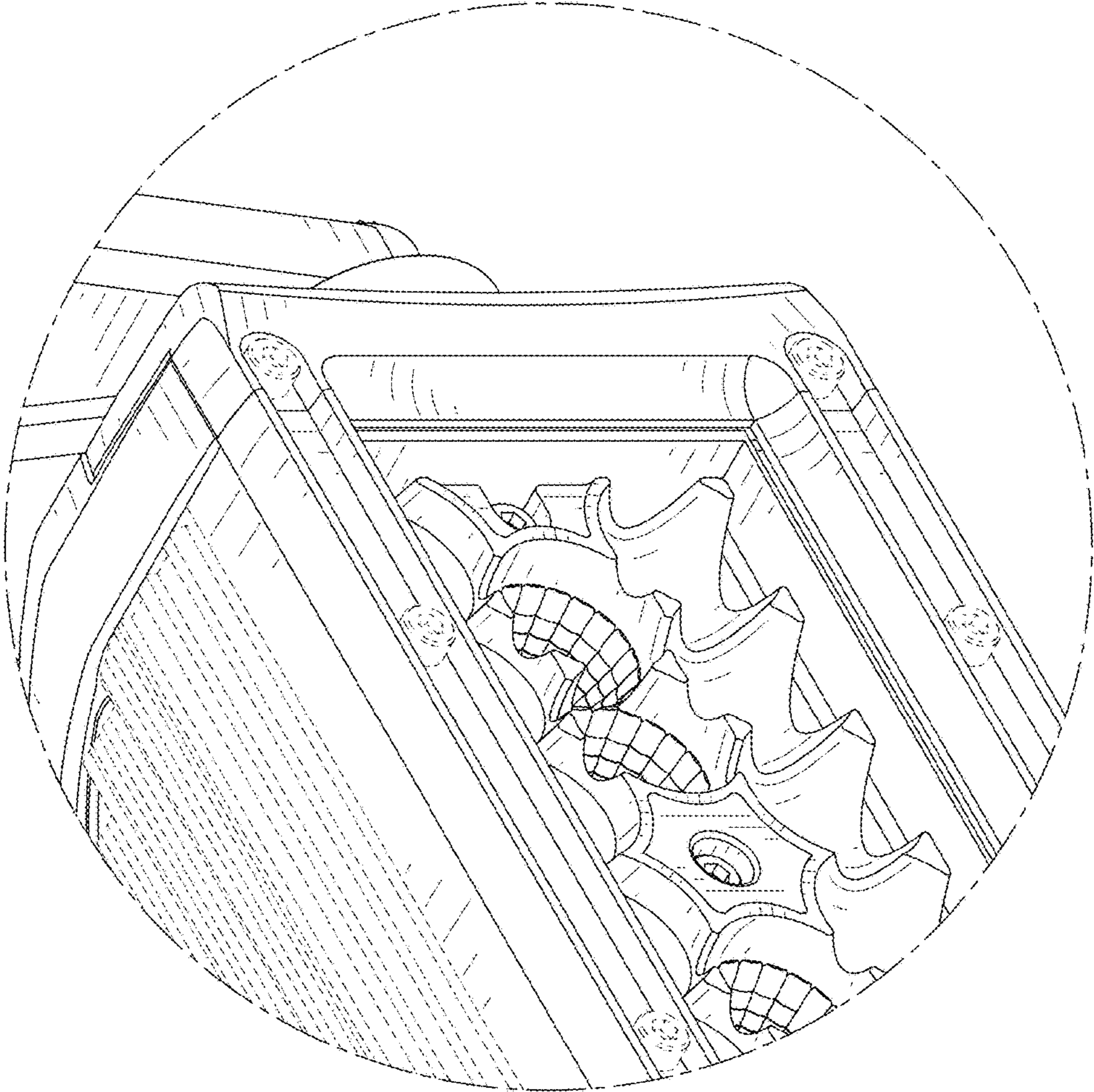


Fig. 11