



US00D821008S

(12) **United States Design Patent**  
**Guthrie**

(10) **Patent No.:** **US D821,008 S**  
(45) **Date of Patent:** **\*\* Jun. 19, 2018**

(54) **CEILING FAN LIGHT KIT**  
(71) Applicant: **HUNTER FAN COMPANY,**  
Memphis, TN (US)

D156,589 S \* 12/1949 Wedderspoon ..... D23/336  
D207,561 S \* 5/1967 Bedell ..... D23/371  
D298,454 S 11/1988 Clyde-Mason  
(Continued)

(72) Inventor: **Benjamin Scotti Guthrie,**  
Germantown, TN (US)  
(73) Assignee: **Hunter Fan Company,** Memphis, TN  
(US)

**OTHER PUBLICATIONS**

<http://ceilingfans.emerson.com/shop/en/fan/amhurst-fan-p-cf880>,  
Item Specification for the Emerson Amhurst Model No. CF880BS,  
accessed Mar. 7, 2016.

(\*\*) Term: **15 Years**  
(21) Appl. No.: **29/614,700**  
(22) Filed: **Aug. 22, 2017**

(Continued)

*Primary Examiner* — Cathron C Brooks  
*Assistant Examiner* — Sharon S Oum  
(74) *Attorney, Agent, or Firm* — McGarry Bair PC

**Related U.S. Application Data**

(62) Division of application No. 29/557,205, filed on Mar.  
7, 2016, now Pat. No. Des. 799,020.

(51) **LOC (11) Cl.** ..... **26-05**

(52) **U.S. Cl.**  
USPC ..... **D26/59**; D26/89; D26/118

(58) **Field of Classification Search**  
USPC ..... D23/335–337, 355, 370–385, 411–414;  
D26/59, 67, 72, 80–89, 92, 104–105, 110,  
D26/113, 118–119, 128–137  
CPC .... F04D 25/088; F21V 33/0096; F21V 21/03;  
F21V 17/002; F21V 23/007; F21V 23/04;  
F21V 23/0485; F21V 15/01; F21V  
19/006; F21V 19/04; F21V 21/02; F21V  
23/002; F21V 23/005; F21V 33/0052;  
F21V 7/22

See application file for complete search history.

(56) **References Cited**

**U.S. PATENT DOCUMENTS**

D90,062 S \* 6/1933 Dasher ..... D23/378  
D90,063 S \* 6/1933 Dasher ..... D23/377  
D110,505 S 7/1938 Stewart  
D132,865 S 6/1942 Drollinger

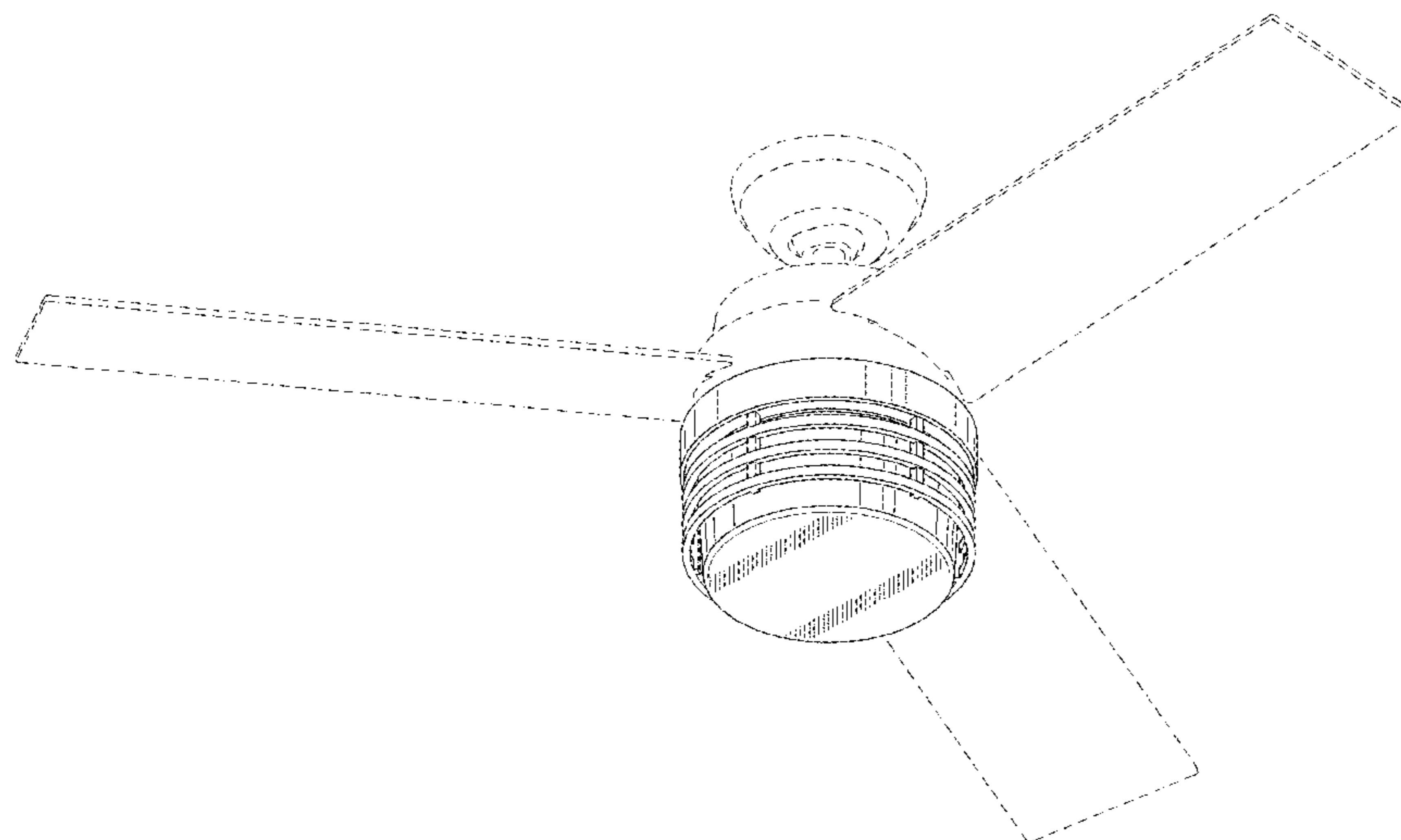
(57) **CLAIM**

The ornamental design for a ceiling fan light kit, as shown  
and described.

**DESCRIPTION**

FIG. 1 is a bottom perspective view of a ceiling fan light kit  
showing my new design, with a ceiling fan shown in broken  
lines;  
FIG. 2 is a top perspective view of the ceiling fan light kit  
of FIG. 1, but shown without the ceiling fan environment;  
FIG. 3 is a top view of the ceiling fan light kit of FIG. 2;  
FIG. 4 is a bottom view of the ceiling fan light kit of FIG.  
2;  
FIG. 5 is a front side view of the ceiling fan light kit of FIG.  
2;  
FIG. 6 is a rear side view of the ceiling fan light kit of FIG.  
2;  
FIG. 7 is a right side view of the ceiling fan light kit of FIG.  
2; and,  
FIG. 8 is a left side view of the ceiling fan light kit of FIG.  
2.  
The broken lines illustrate a ceiling fan, and portions of the  
ceiling fan light kit. None of the broken lines form part of  
the claimed design.

**1 Claim, 6 Drawing Sheets**



(56)

References Cited

U.S. PATENT DOCUMENTS

D303,425	S	9/1989	Sonneman	
D312,139	S	11/1990	Wang	
5,028,206	A	7/1991	Kendregan et al.	
D345,790	S	4/1994	Caldwell	
D351,020	S	9/1994	Arnold	
D357,998	S	* 5/1995	Kania .....	D26/88
D400,278	S	10/1998	Binsukor	
D424,189	S	5/2000	Johnson	
D444,588	S	7/2001	Lin	
D477,682	S	* 7/2003	Wang .....	D26/67
D485,002	S	1/2004	Lin	
D510,425	S	10/2005	Young	
D510,620	S	10/2005	Young	
D510,622	S	10/2005	Tai	
D515,686	S	2/2006	Young	
D516,199	S	2/2006	Frampton et al.	
D530,039	S	* 10/2006	Blackman .....	D26/85
D541,958	S	* 5/2007	Holldorff .....	D26/24
D544,131	S	* 6/2007	Blackman .....	D26/85
D556,930	S	12/2007	Ertze	
D581,040	S	11/2008	Pickett	
D583,923	S	12/2008	Bucher et al.	
D689,219	S	* 9/2013	Zhang .....	D26/2
D700,984	S	3/2014	Yang	
D704,819	S	5/2014	Wang	
D706,970	S	6/2014	Wang	
D728,775	S	5/2015	Gajewski	
D744,634	S	12/2015	Wang	
D747,452	S	1/2016	Gajewski	
D767,195	S	* 9/2016	Pollack, Jr. ....	D26/119
D779,052	S	2/2017	Gajewski	
D779,093	S	2/2017	Gajewski	
D799,020	S	* 10/2017	Guthrie .....	D23/377
D804,638	S	* 12/2017	Guthrie .....	D23/377

OTHER PUBLICATIONS

<http://ceilingfans.emerson.com/shop/en/fan/luxe-eco-fan-p-cf550>, Item Specification for the Emerson Luxe Eco Model No. CF550DMORB, accessed Mar. 7, 2016.  
<http://www.craftmade.com/Craftmade-MN44SS4-Stainless-Steel-Ceiling-Fan.HTM>, Item Specification for the Craftmade—Model No. MN44SS4—Montreal 44" Ceiling Fan Blades Included in Stainless Steel with Matte Opal Glass, accessed Mar. 7, 2016.

<http://www.craftmade.com/Craftmade-SI56BA5-Brushed-Aluminum-Ceiling-Fan.HTM>, Item Specification for the Craftmade Silo 56" Model No. SI56BA5—Ceiling Fan Blades Included in Brushed Aluminum with Matte Opal Glass, accessed Mar. 7, 2016.  
<http://www.hunterfan.com/Ceiling-Fans/Windspan?ModelNumber=59012>, Item Specification for the Hunter Fan Windspan®—52" Ceiling Fan Model No. 59012 Brushed Nickel Finish, accessed Mar. 7, 2016.  
<http://www.hunterfan.com/Ceiling-Fans/Antero>, Hunter Antero 46" Ceiling Fan Model No. 59178 Noble Bronze Finish 5 Dark Walnut / Cherry Reversible blades included, accessed Mar. 7, 2016.  
 Kichler Lighting 310110AW Porters Lake 54-inch Wet Location Ceiling Fan, date first available Dec. 23, 2013, amazon.com, site visited Jul. 14, 2017, Copyright © 1996-2017, Available from Internet, [https://www.amazon.com/Kichler-Lighting-310110AW-Integrated-Downlight/dp/B00HHERYGO/ref=se\\_1\\_1?ie=UTF8&qid=1500046404&sr=8-1&](https://www.amazon.com/Kichler-Lighting-310110AW-Integrated-Downlight/dp/B00HHERYGO/ref=se_1_1?ie=UTF8&qid=1500046404&sr=8-1&).  
 Pharos 52 Inch LED Ceiling Fan, date first reviewed approx. in 2007, ylighting.com, site visited Jul. 14, 2017, Copyright © 1996-2017, Available from Internet, [https://www.ylighting.com/modern-fan-pharos-ceiling-fan.html?source=ppc\\_gg\\_modern%20fan%20pharos\\_MT:e\\_CP:Modern+Fan+Company+Exact\\_AG:15237257348\\_device:c\\_creati](https://www.ylighting.com/modern-fan-pharos-ceiling-fan.html?source=ppc_gg_modern%20fan%20pharos_MT:e_CP:Modern+Fan+Company+Exact_AG:15237257348_device:c_creati).  
 Hampton Bay Mondrian 52 In. Brushed Nickel, date first available Oct. 5, 2012, amazon.com, site visited Jul. 14, 2017, copyright © 1996-2017, Available from Internet, [https://amazon.com/Mondrian-Brushed-Nickel-16-89-hx52/dp/B009M9A7FS/ref=sr\\_1-1?ie=UTF8&qid=1500047270&sr=8-1&keywords=hampton+bay+mondrian](https://amazon.com/Mondrian-Brushed-Nickel-16-89-hx52/dp/B009M9A7FS/ref=sr_1-1?ie=UTF8&qid=1500047270&sr=8-1&keywords=hampton+bay+mondrian).  
 Hampton Bay Sussex ii, date first available Oct. 5, 2012, amazon.com, site visited Jul. 14, 2017, Copyright © 1996-2017, Available from Internet, [https://www.amazon.com/Sussex-Brushed-Nickel-15-67-Nickel/dp/B009M8K2JK/ref=sr\\_1\\_1?ie=UTF8&qid=1500047485&sr=8-1&keywords=hampton+bay+sussex+ii](https://www.amazon.com/Sussex-Brushed-Nickel-15-67-Nickel/dp/B009M8K2JK/ref=sr_1_1?ie=UTF8&qid=1500047485&sr=8-1&keywords=hampton+bay+sussex+ii).  
 Emerson Ceiling Fans CF88-VS Amhurst Indoor Ceiling Fan with Light and Wall Control, date first available Feb. 5, 2013, amazon.com, site visited Jul. 14, 2017, Copyright © 1996-2017, Available from Internet, [https://www.amazon.com/Emerson-Ceiling-CF880VS-Amhurst-Control/dp/B00BBG6ZA6/ref=sr\\_1\\_1?ie=UTF8&qid=1500047839&sr=8](https://www.amazon.com/Emerson-Ceiling-CF880VS-Amhurst-Control/dp/B00BBG6ZA6/ref=sr_1_1?ie=UTF8&qid=1500047839&sr=8).  
 Hunter 59135 Key Biscayne, date first available Feb. 4, 2015, amazon.com, site visited Jul. 14, 2017, Copyright © 1996-2017, Available from Internet, [https://www.amazon.com/Hunter-59135-Weathered-Fan-Reversible/dp/B00T5HQB42/ref=sr\\_1\\_1?ie=UTF8&qid=1500048055&sr=8-1&keywords=hunter+key+biscayne](https://www.amazon.com/Hunter-59135-Weathered-Fan-Reversible/dp/B00T5HQB42/ref=sr_1_1?ie=UTF8&qid=1500048055&sr=8-1&keywords=hunter+key+biscayne).

\* cited by examiner

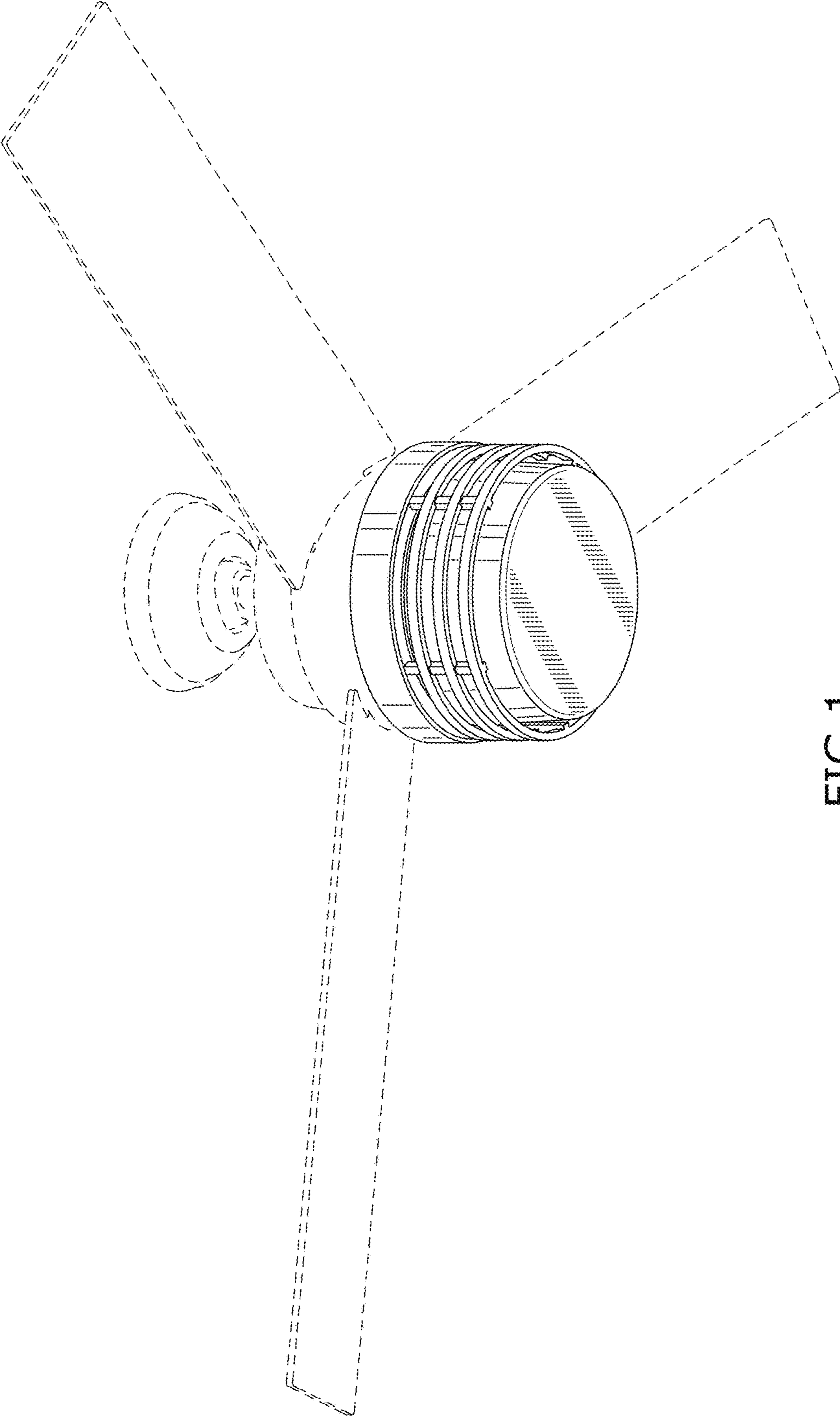


FIG. 1



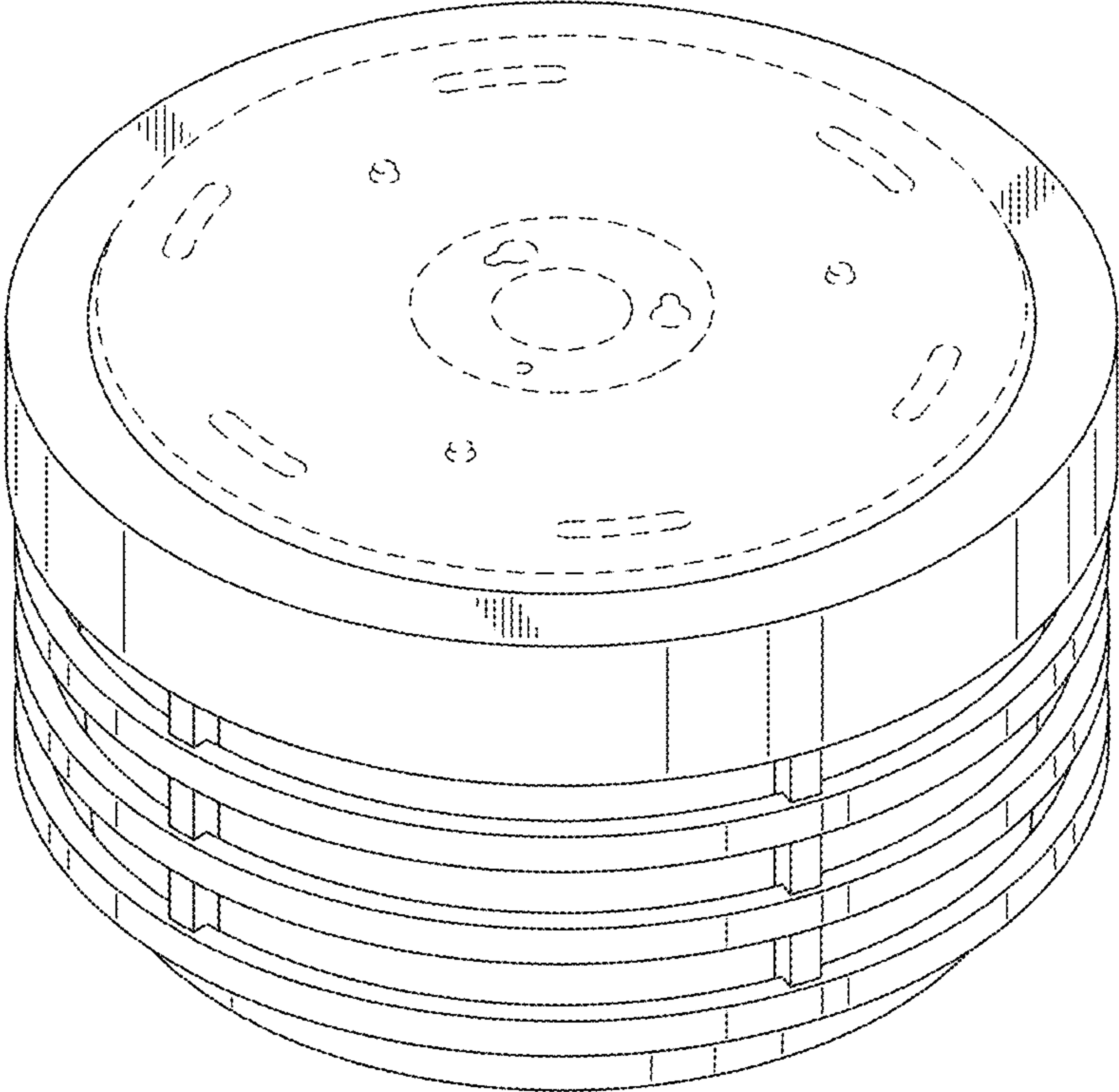


FIG.2

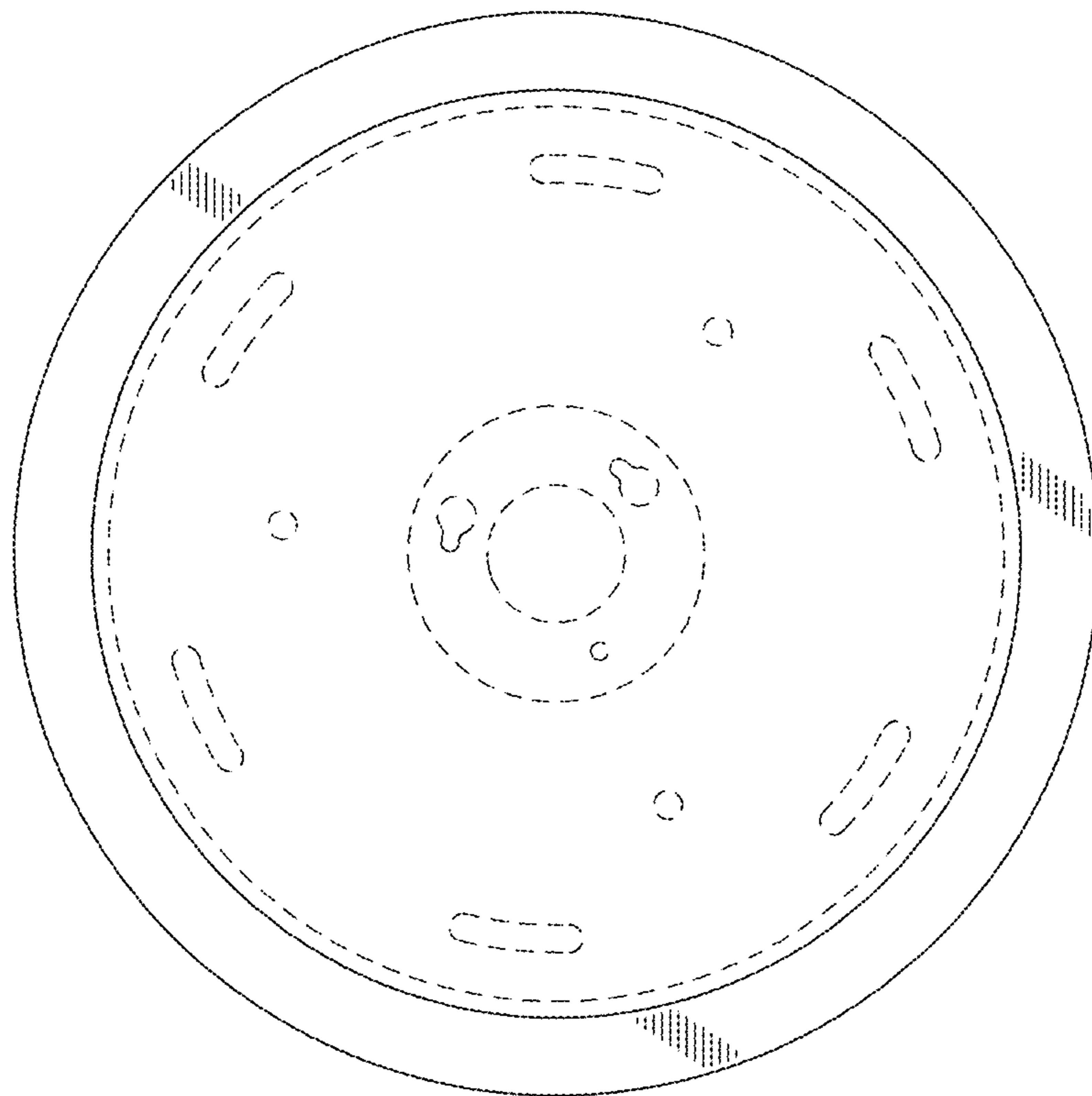


FIG.3

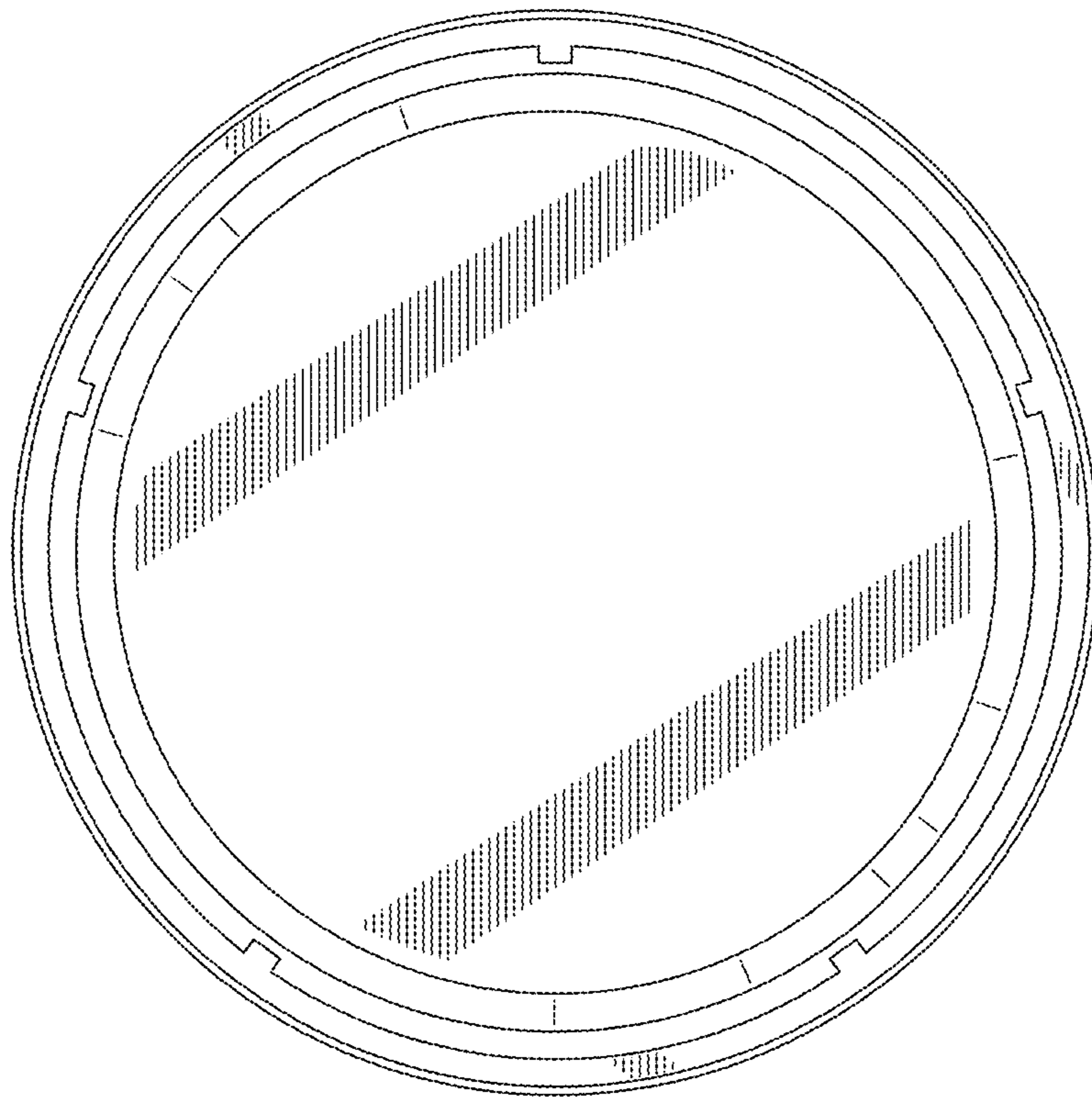


FIG.4

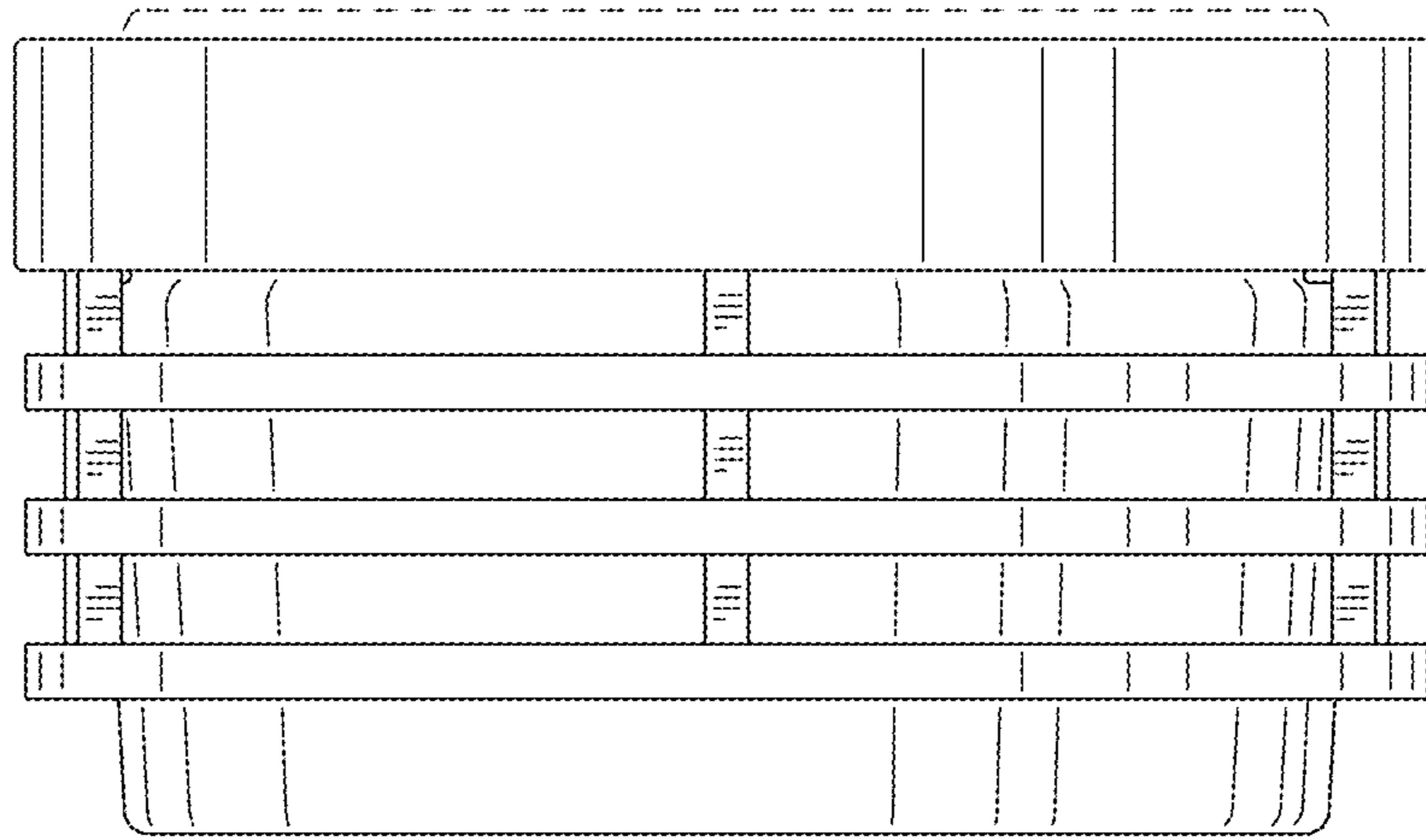


FIG. 5

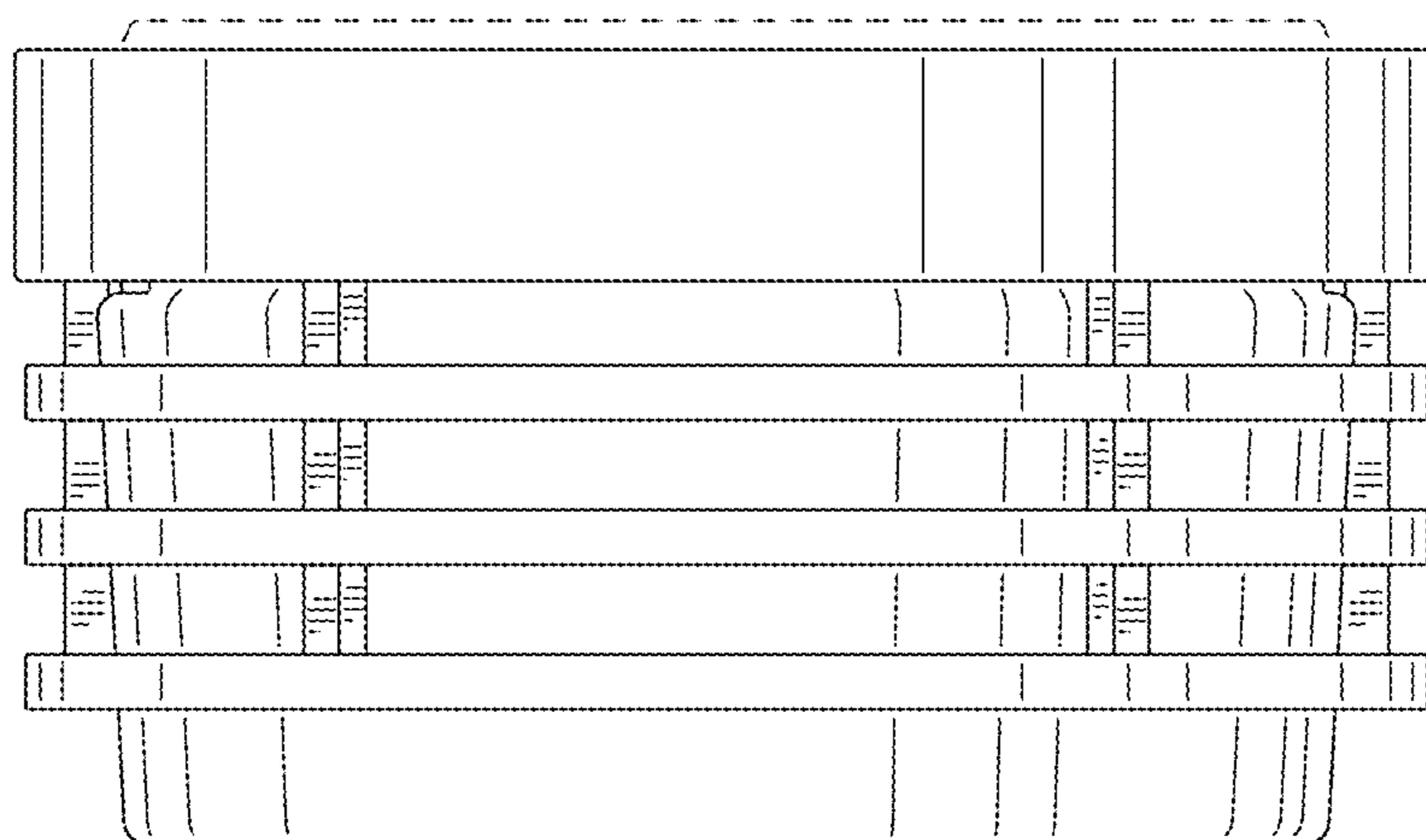


FIG. 6

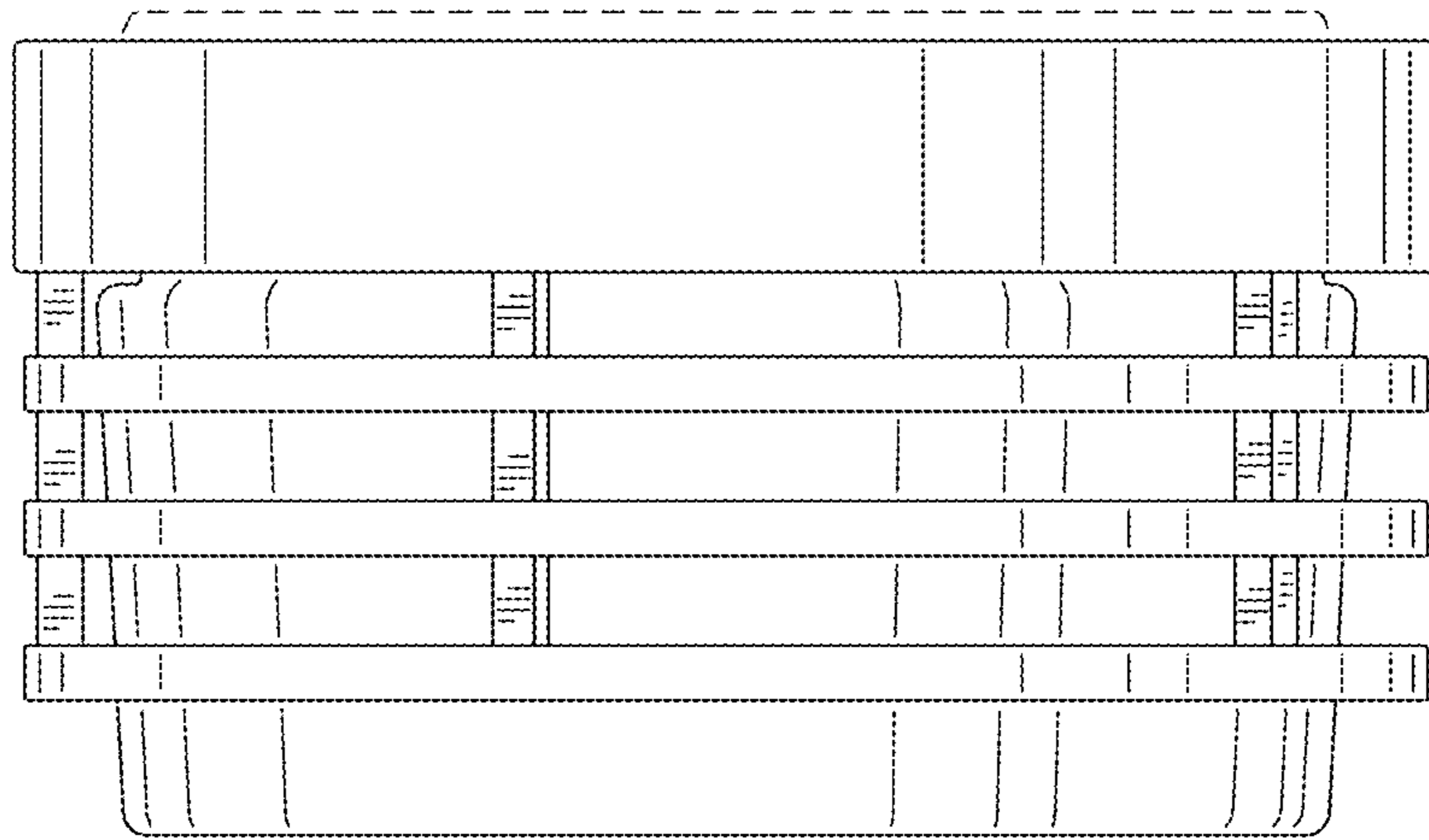


FIG. 7

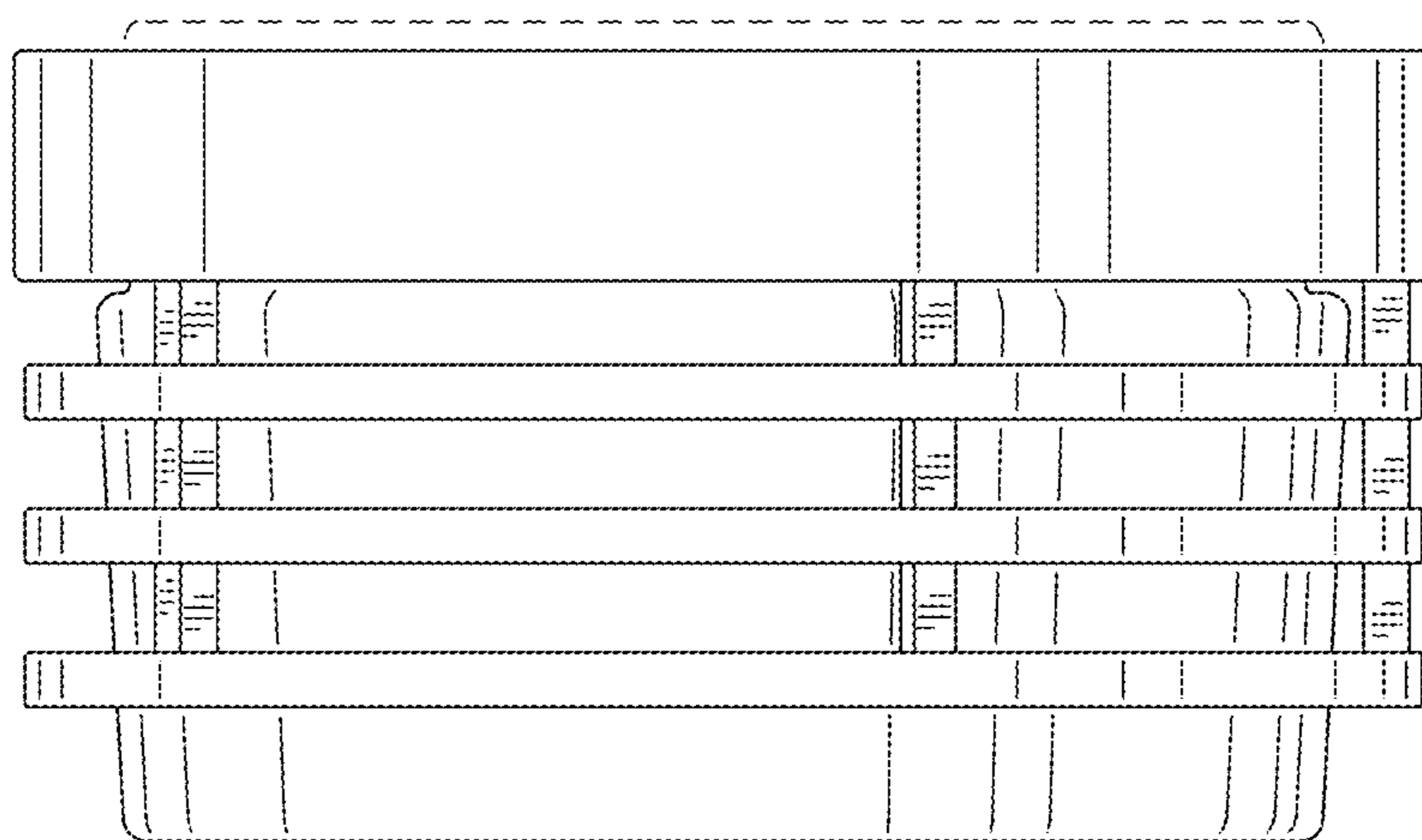


FIG. 8