



US00D821007S

(12) **United States Design Patent**
Chen

(10) **Patent No.:** **US D821,007 S**

(45) **Date of Patent:** **** Jun. 19, 2018**

(54) **HEAD LIGHT WORN ON FOREHEAD**

9,759,419 B1 * 9/2017 Rothschild F21V 33/0008
D803,442 S * 11/2017 Green D26/39
D814,676 S * 4/2018 Windom D26/39

(71) Applicant: **Huo-Chuan Chen**, New Taipei (TW)

(72) Inventor: **Huo-Chuan Chen**, New Taipei (TW)

(**) Term: **15 Years**

(21) Appl. No.: **29/583,916**

(22) Filed: **Nov. 10, 2016**

(51) **LOC (11) Cl.** **26-02**

(52) **U.S. Cl.**
USPC **D26/39**

(58) **Field of Classification Search**
USPC D26/37, 39
CPC . A42B 3/044; A42B 3/04; F21L 15/14; F21L
11/00; B63C 9/20; F21V 33/0008
See application file for complete search history.

(56) **References Cited**

U.S. PATENT DOCUMENTS

D672,893 S * 12/2012 Inskeep D26/39
D743,596 S * 11/2015 Ormsbee D26/39
D788,337 S * 5/2017 Koshiba D26/39
D796,098 S * 8/2017 Grandadam D26/39

* cited by examiner

Primary Examiner — Brian N. Vinson

(74) *Attorney, Agent, or Firm* — Leong C. Lei

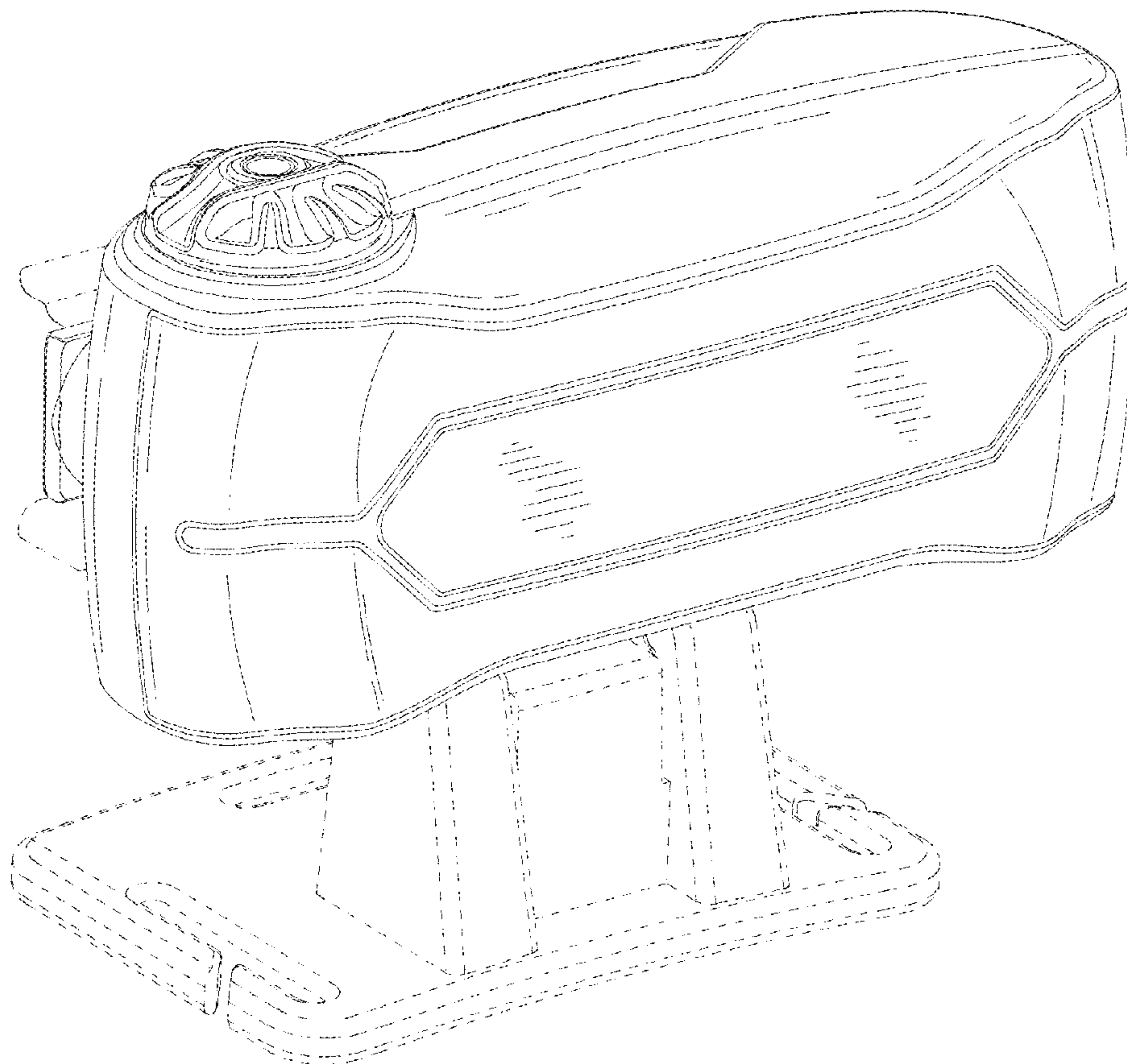
(57) **CLAIM**

The ornamental design for a head light worn on forehead, as shown and described.

DESCRIPTION

FIG. 1 is a perspective view of a head light worn on forehead showing my new design, with the mount bracket engaged; FIG. 2 is a rear perspective view thereof; FIG. 3 is a front elevational view thereof; FIG. 4 is a rear elevational view thereof; FIG. 5 is a left side elevational view thereof; FIG. 6 is a right side elevational view thereof; FIG. 7 is a top plan view thereof; and, FIG. 8 is a bottom plan view thereof. The dotted line showing of the mount bracket is for illustrative purposes only and forms no part of the claimed design.

1 Claim, 8 Drawing Sheets



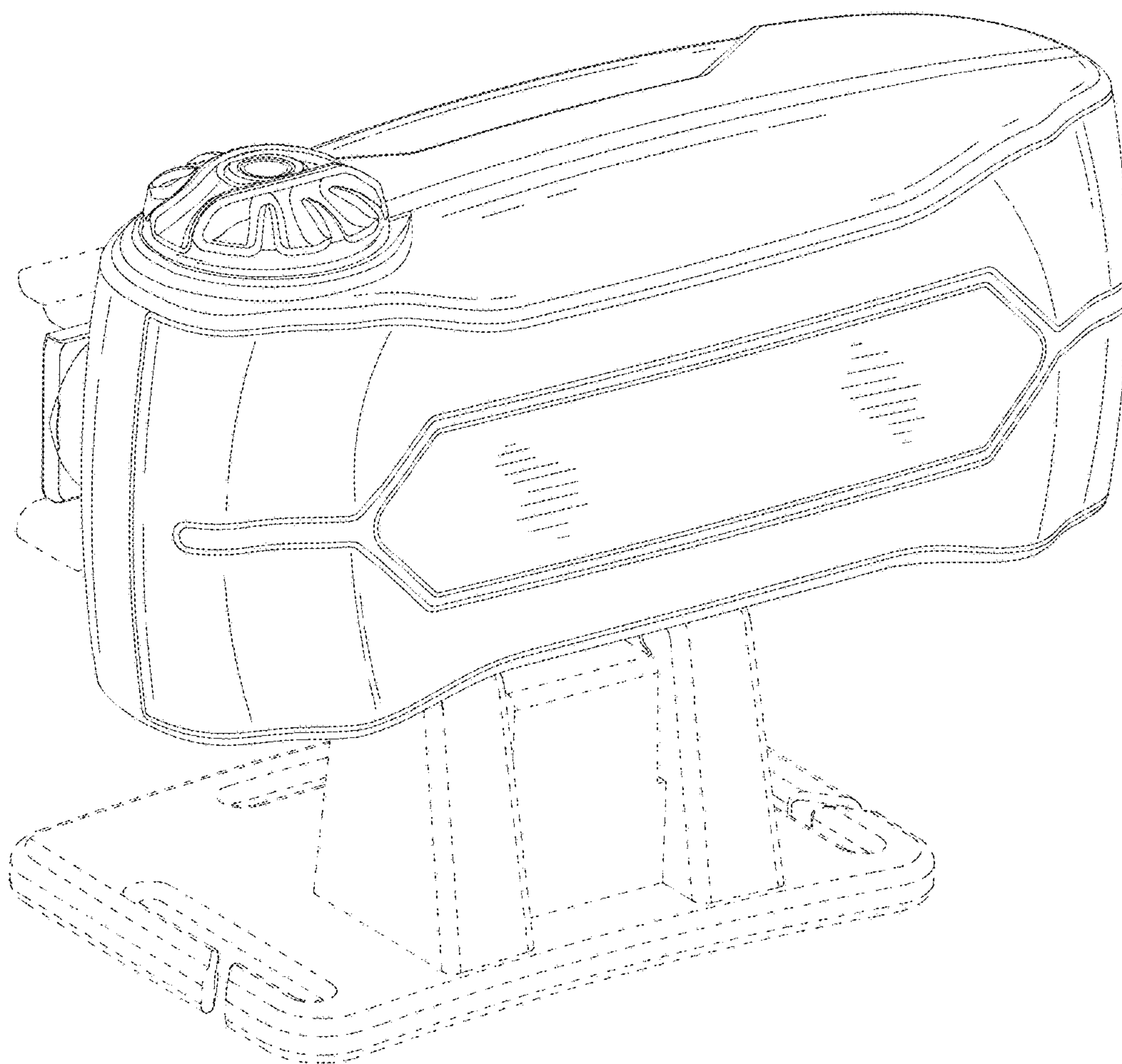


FIG. 1

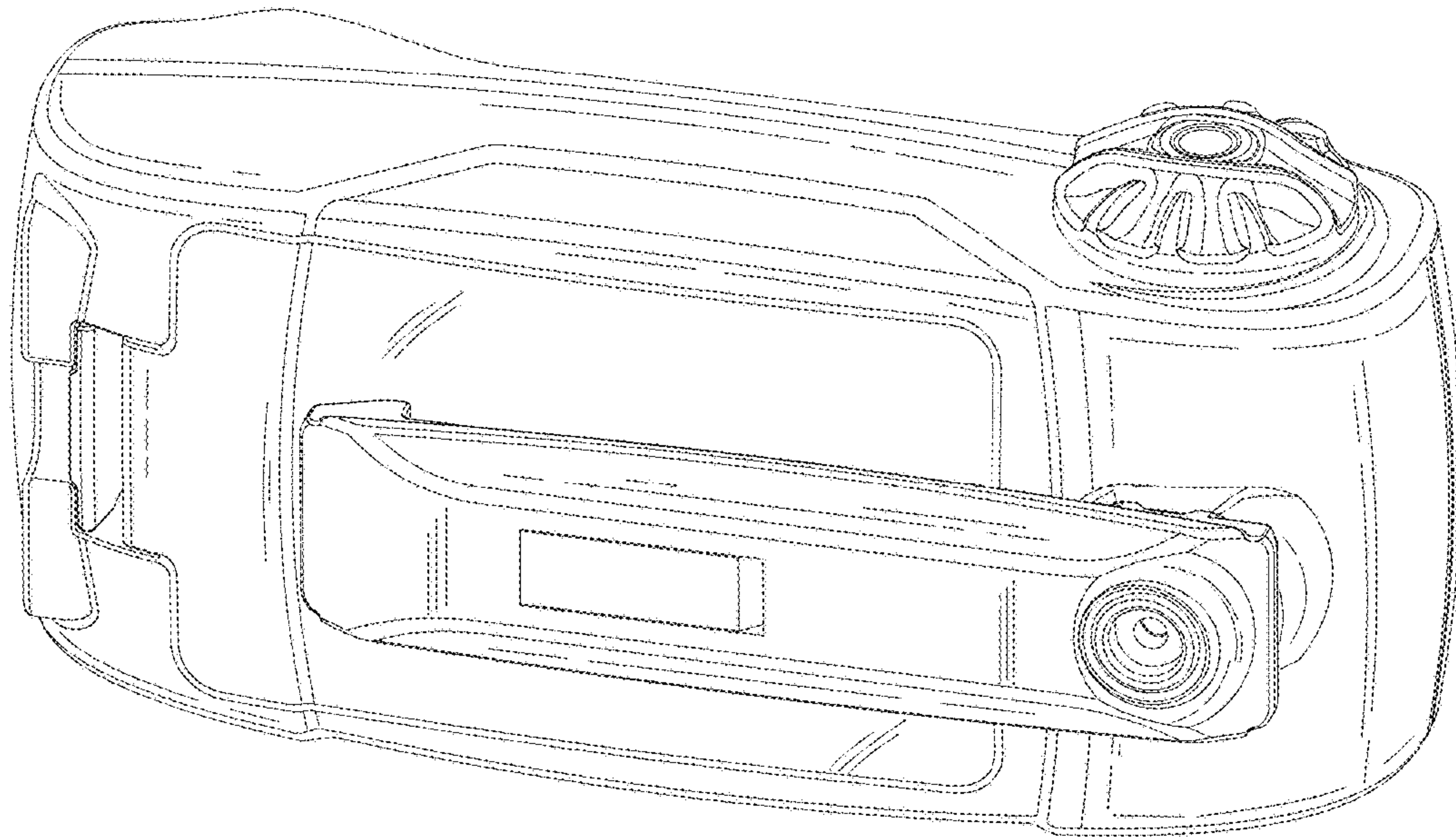


FIG. 2

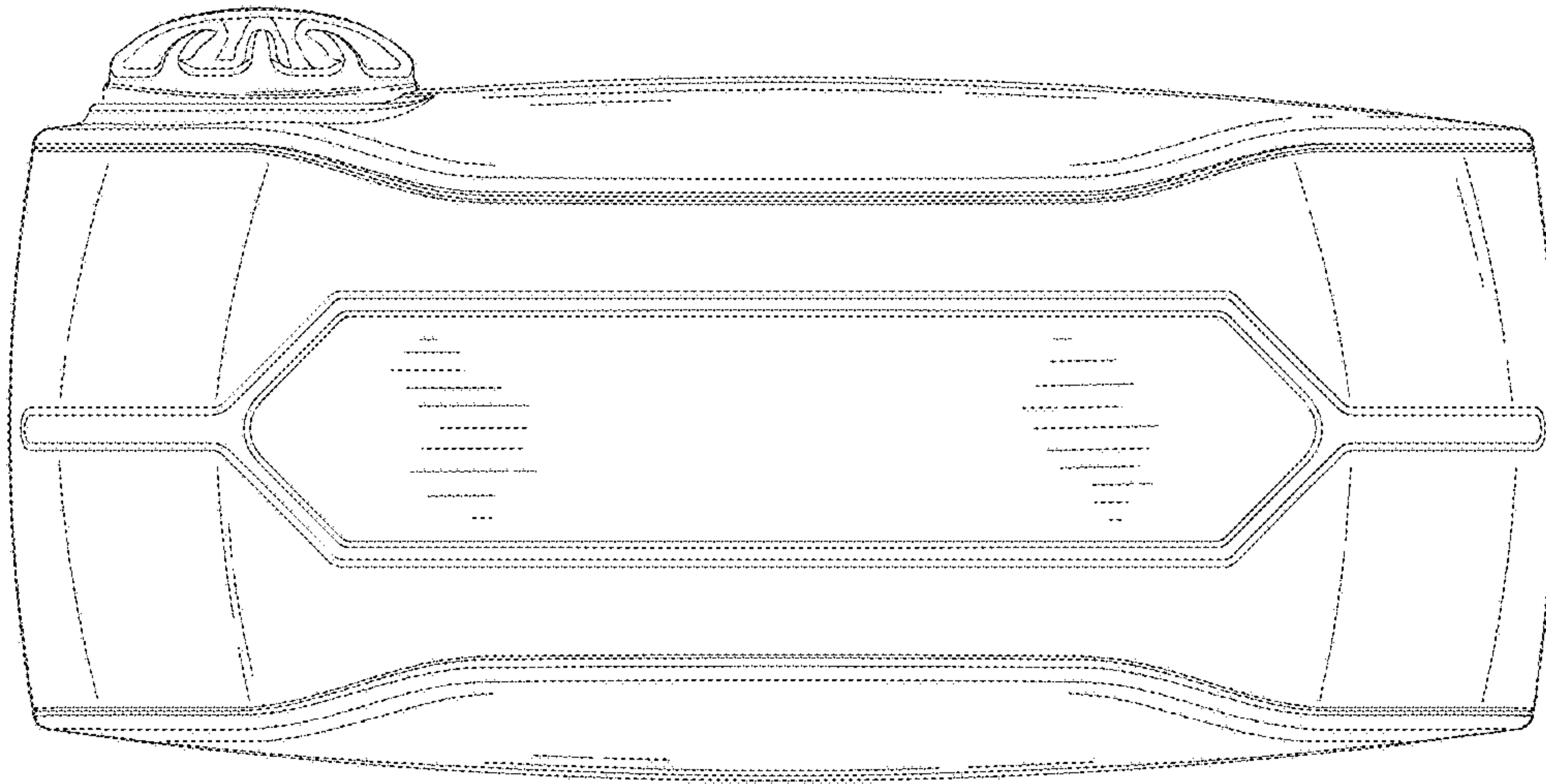


FIG. 3

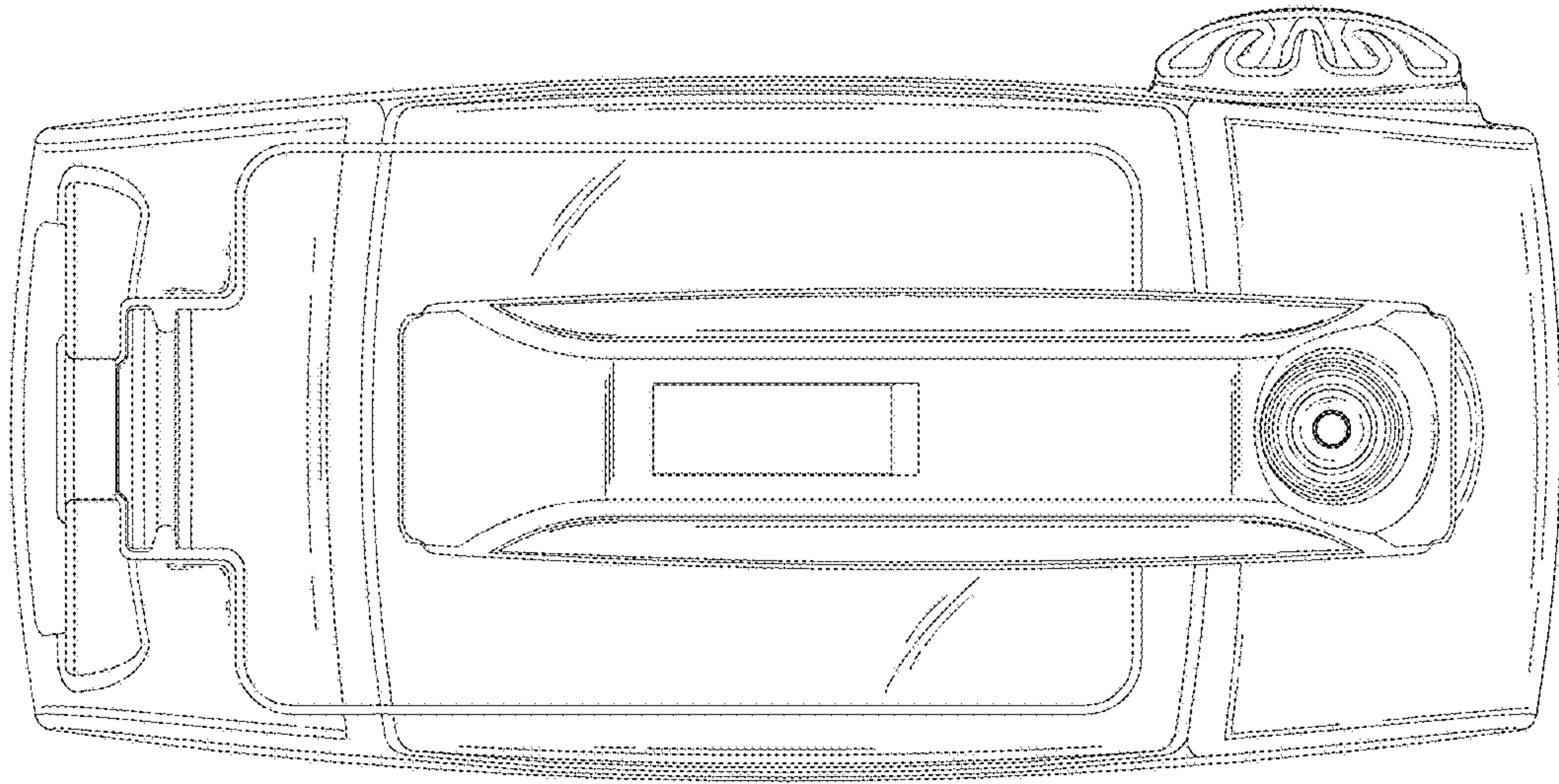


FIG. 4

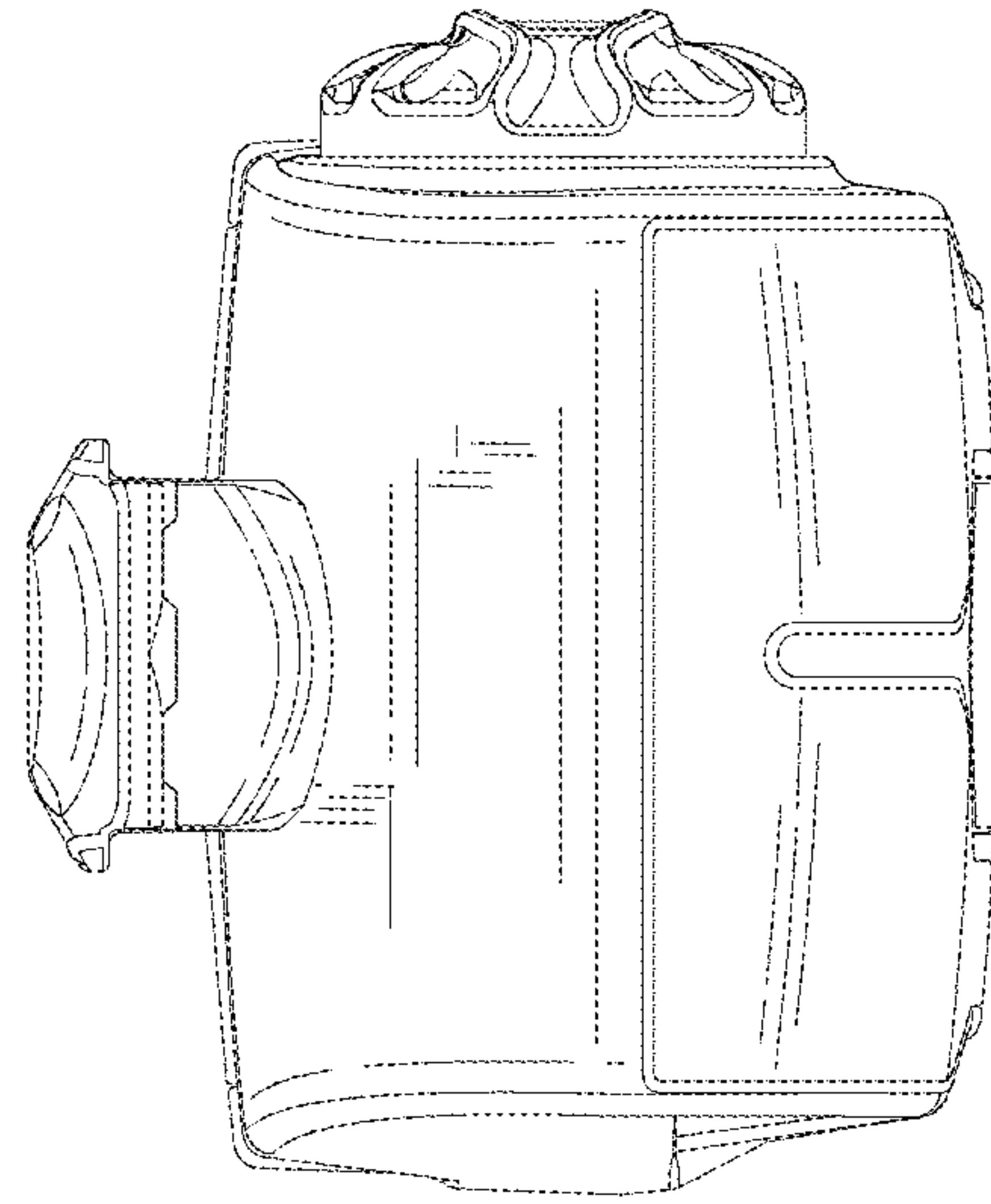


FIG. 5

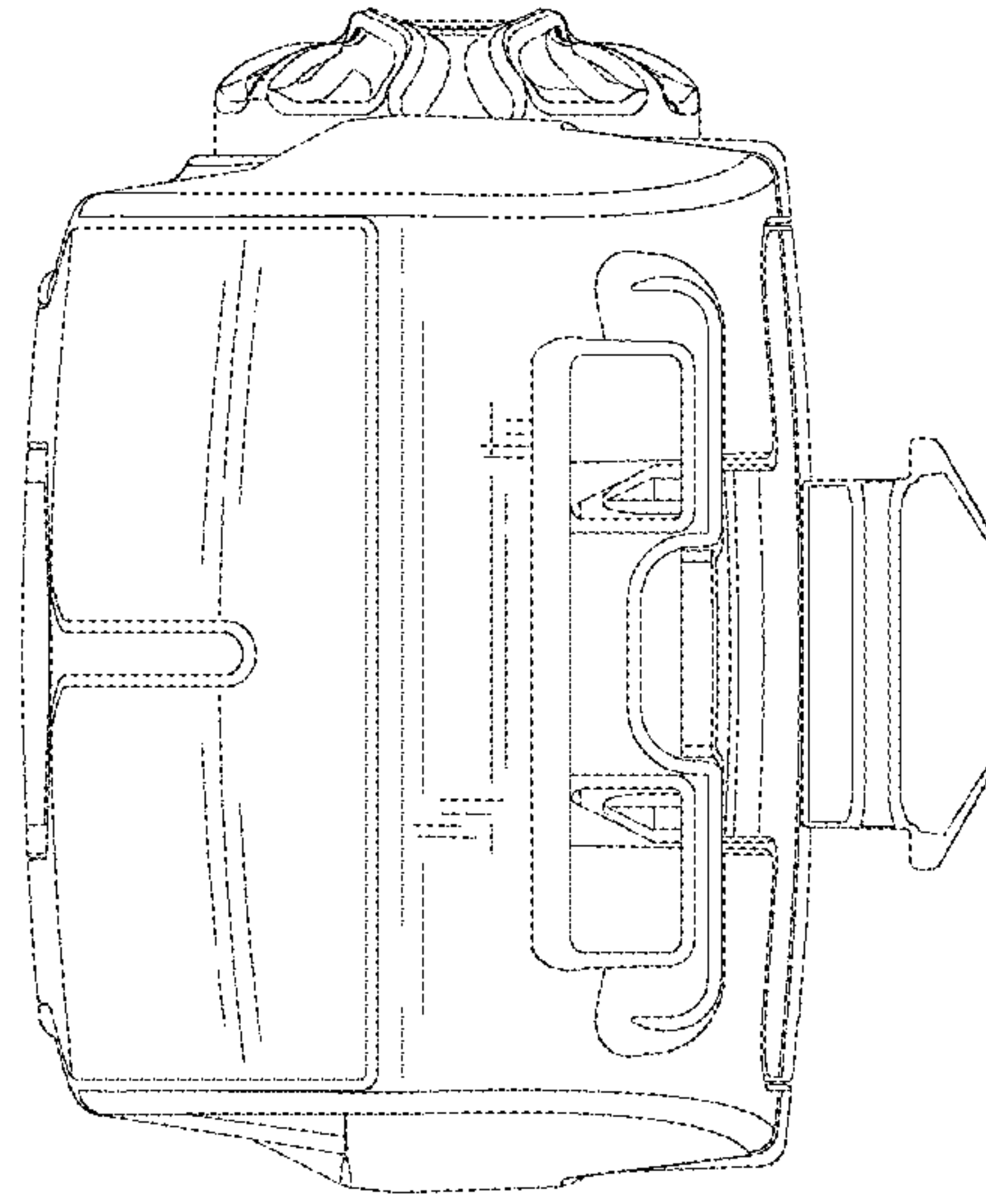


FIG. 6

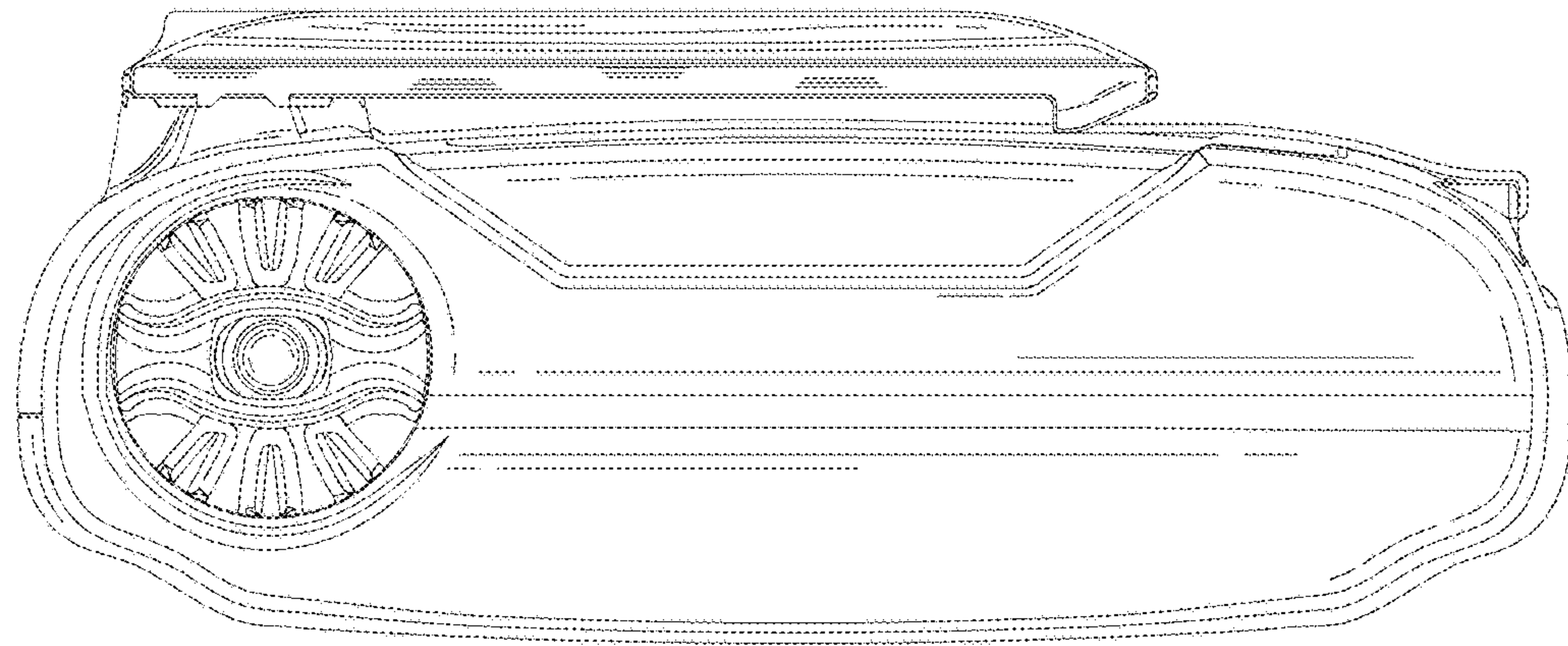


FIG. 7

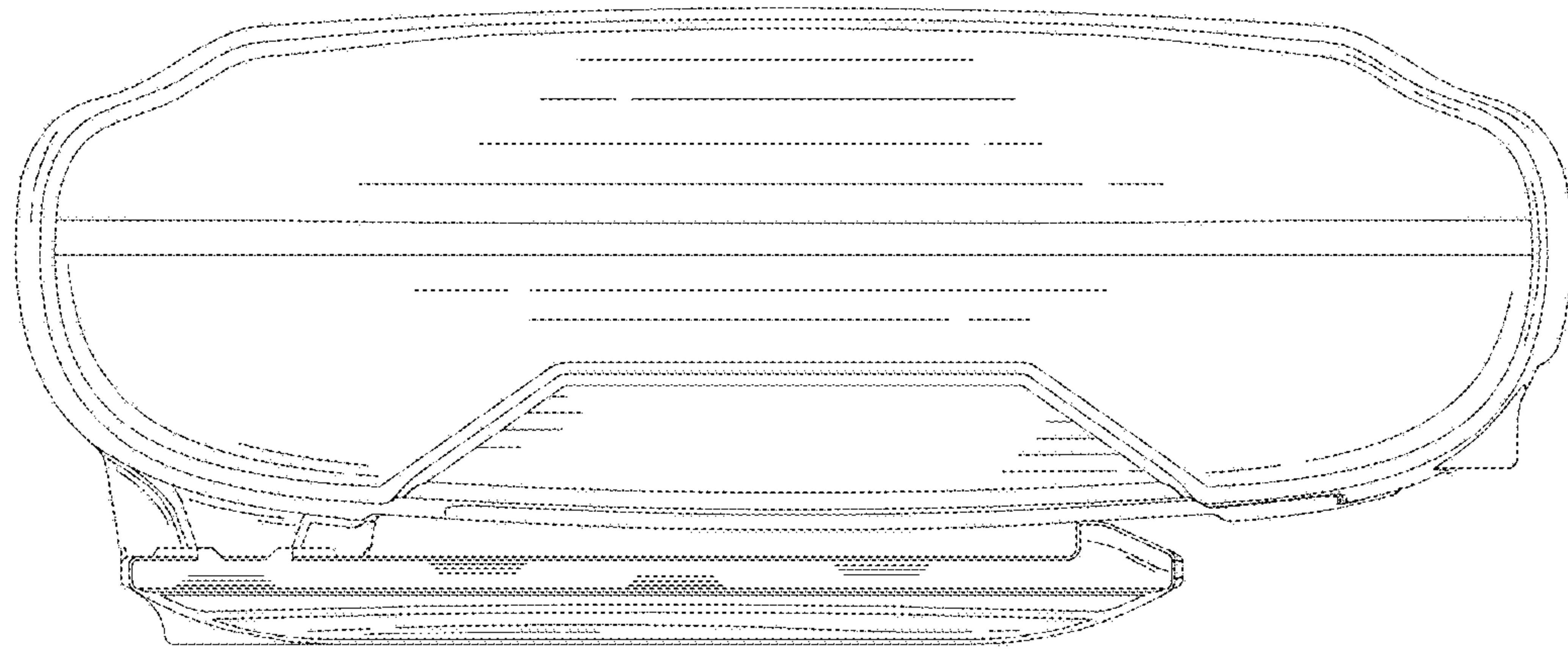


FIG. 8