



US00D821006S

(12) **United States Design Patent**
Chen

(10) **Patent No.:** **US D821,006 S**

(45) **Date of Patent:** **** Jun. 19, 2018**

(54) **HEAD LAMP**

(71) Applicant: **Xiaocheng Chen**, Guangdong (CN)

(72) Inventor: **Xiaocheng Chen**, Guangdong (CN)

(**) Term: **15 Years**

(21) Appl. No.: **29/569,550**

(22) Filed: **Jun. 28, 2016**

(51) **LOC (11) Cl.** **26-02**

(52) **U.S. Cl.**
USPC **D26/39**

(58) **Field of Classification Search**
USPC D26/39, 37, 38, 46, 51
CPC F21L 2003/00; F21L 4/00; F21L 4/0005;
F21L 4/02; F21L 4/025; F21L 4/027;
F21L 4/04; F21L 4/08; F21L 2005/00;
F21L 7/00; F21L 11/00; F21L 13/00;
F21L 13/04; F21L 13/08; F21L 14/02;
F21L 17/00; F21L 19/00; F21L 25/00
See application file for complete search history.

(56) **References Cited**

U.S. PATENT DOCUMENTS

D485,384 S *	1/2004	Poon	D26/39
D525,734 S *	7/2006	Shiao	D26/39
D534,289 S *	12/2006	Shiu	D26/39
D536,115 S *	1/2007	Shiu	D26/39
D553,277 S *	10/2007	Ho	D26/39
D560,009 S *	1/2008	Spartano	D26/39

D586,932 S *	2/2009	Feinbloom	D26/39
D592,781 S *	5/2009	Petzl	D26/39
D608,479 S *	1/2010	Heine	D24/231
D677,816 S *	3/2013	Petzl	D26/39
D715,982 S *	10/2014	Windom	D26/39
D721,842 S *	1/2015	Opolka	D26/39
D729,426 S *	5/2015	Dalton	D26/39
D733,951 S *	7/2015	Kent	D26/39
D742,051 S *	10/2015	Abernethy	D26/39

* cited by examiner

Primary Examiner — Lakiya G Rogers

Assistant Examiner — Carissa C Fitts

(74) *Attorney, Agent, or Firm* — Schmeiser, Olsen & Watts, LLP

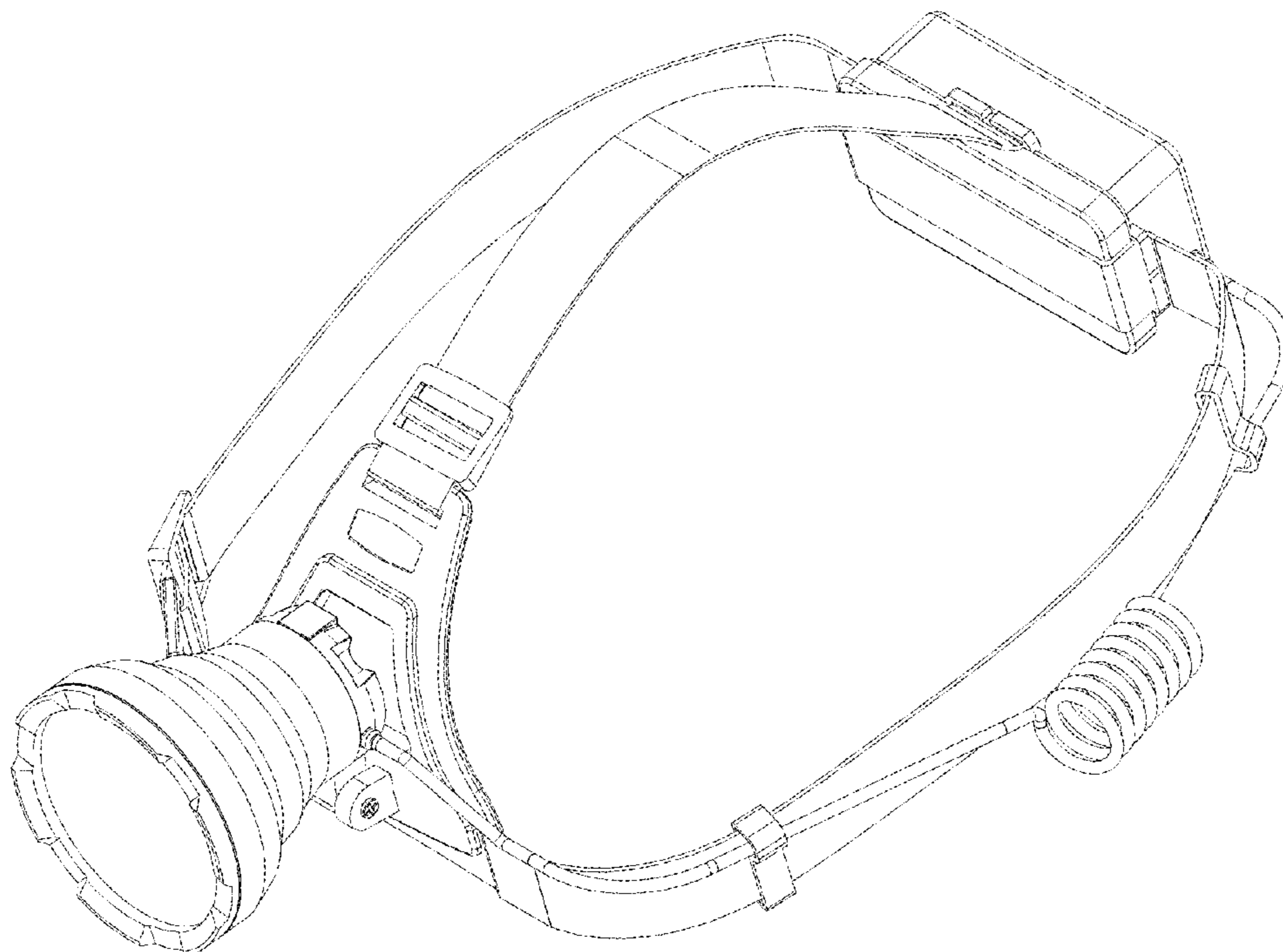
(57) **CLAIM**

The Ornamental design for a head lamp, as shown and described.

DESCRIPTION

FIG. 1 is a Front elevational view of a head lamp showing my new design;
FIG. 2 is a Rear elevational view thereof;
FIG. 3 is a Left side view thereof;
FIG. 4 is a Right side view thereof;
FIG. 5 is a Top plan view thereof;
FIG. 6 is a Bottom plan view thereof; and,
FIG. 7 is a Perspective view from one side thereof.
The broken lines shown in the drawings represent portions of the head lamp that form no part of the claimed design.

1 Claim, 7 Drawing Sheets



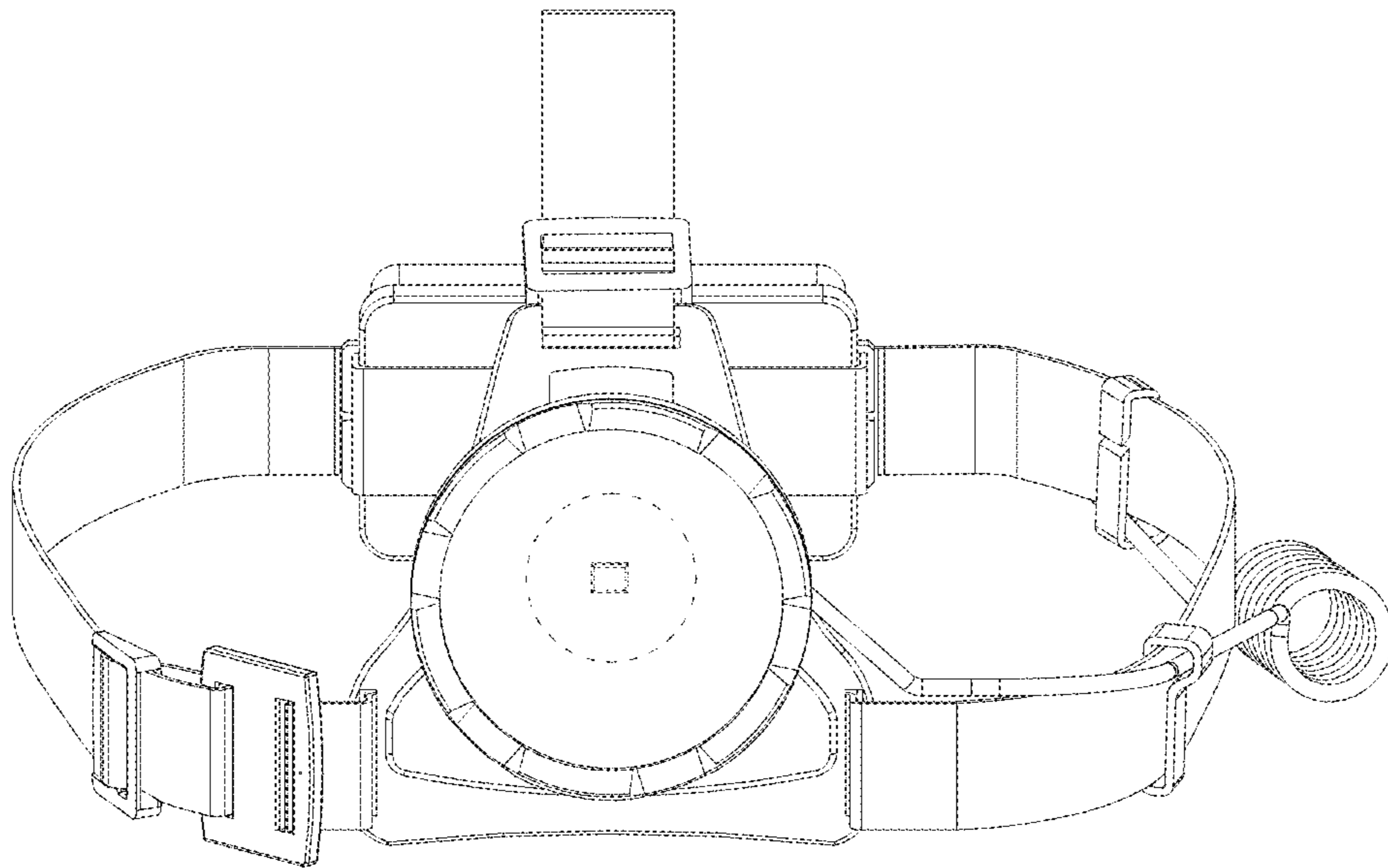


FIG. 1

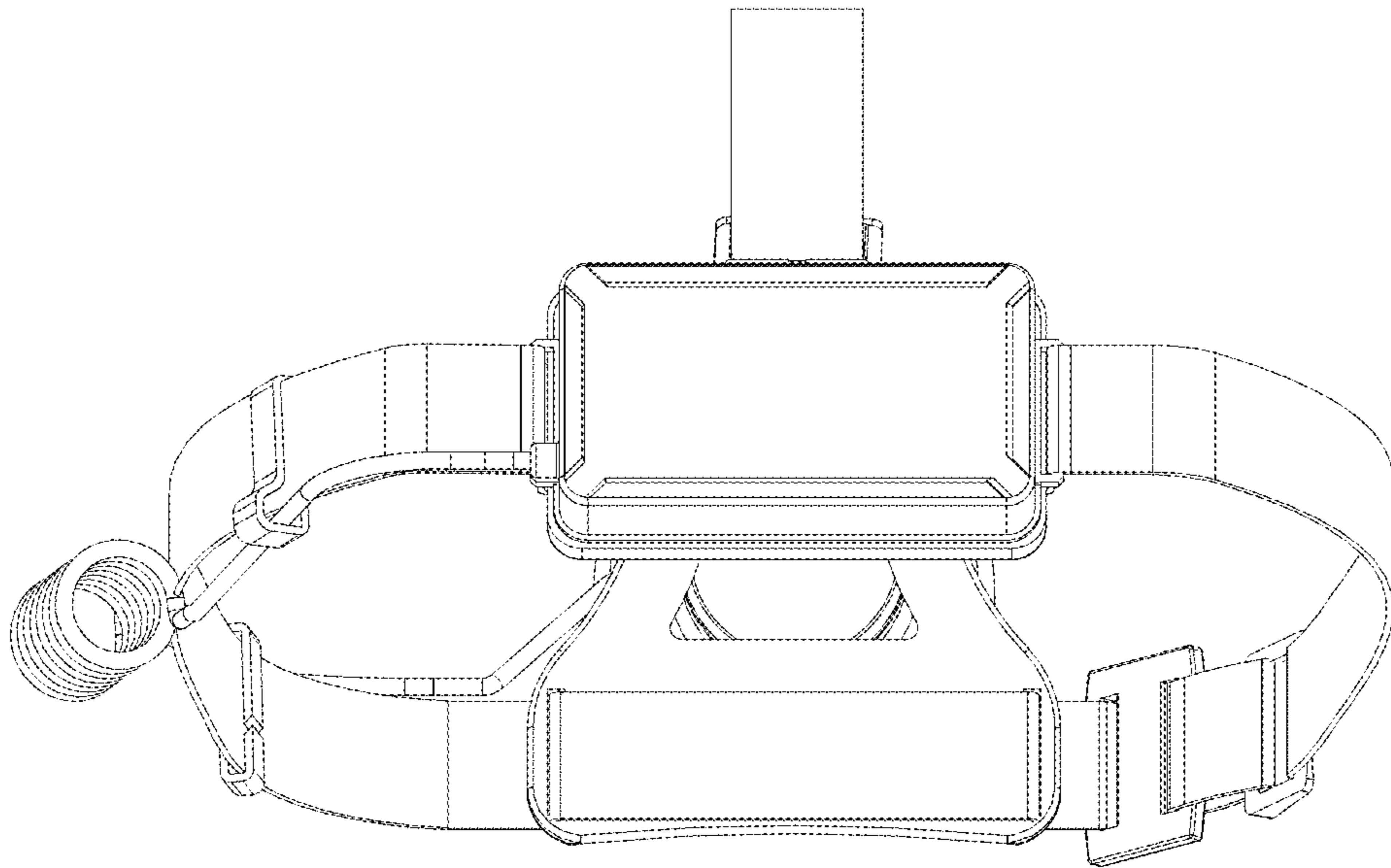


FIG. 2

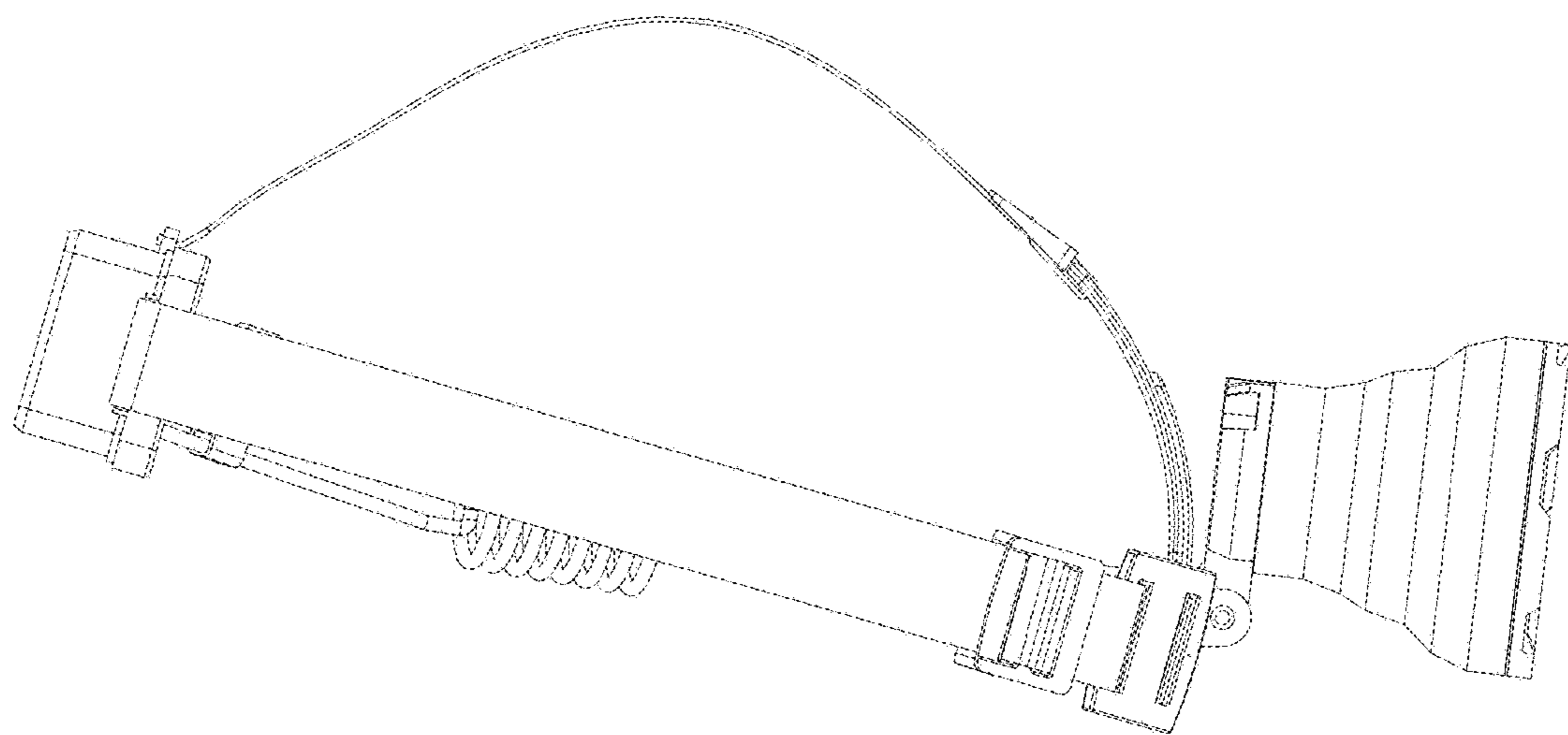


FIG. 3

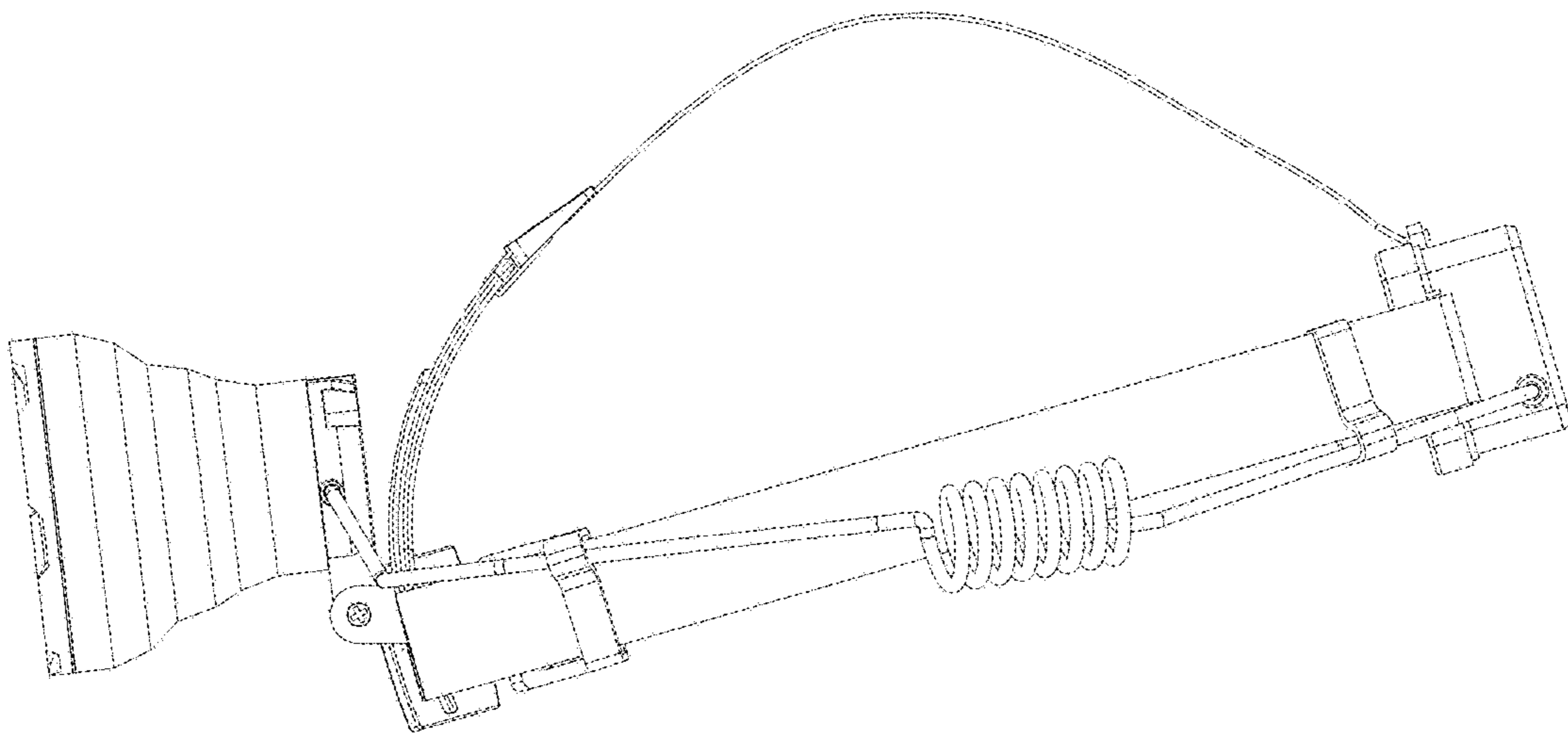


FIG. 4

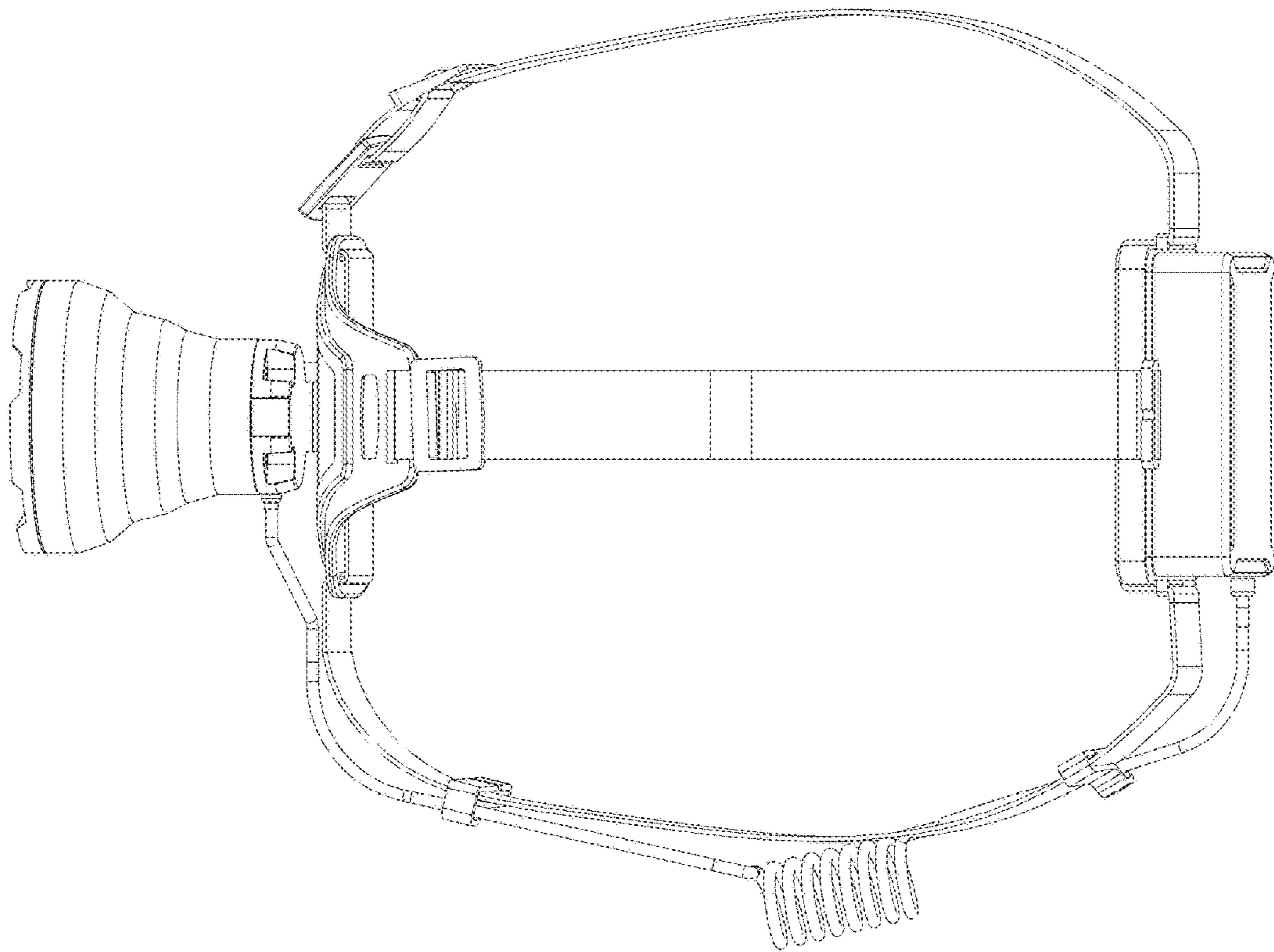


FIG. 5

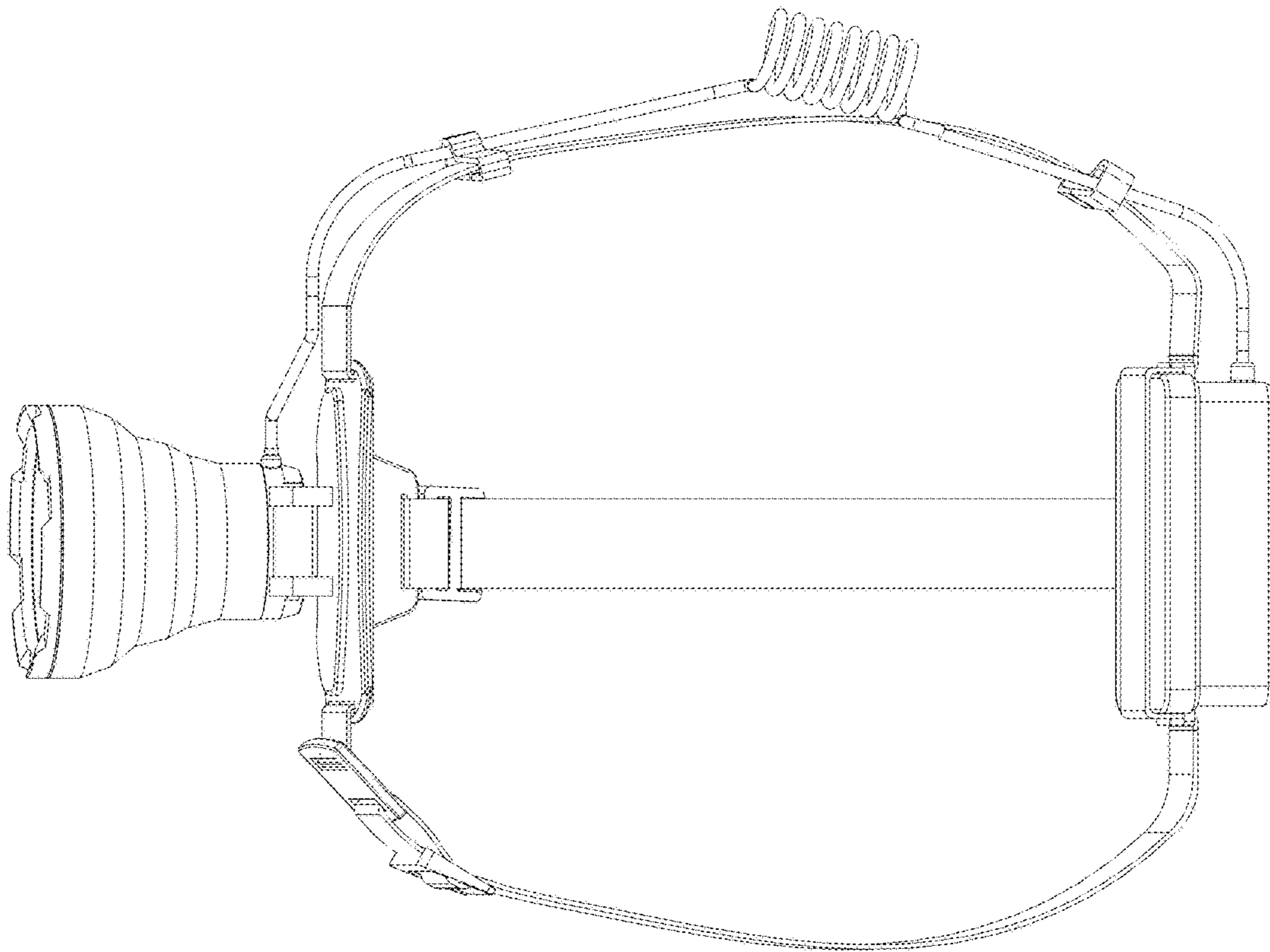


FIG. 6

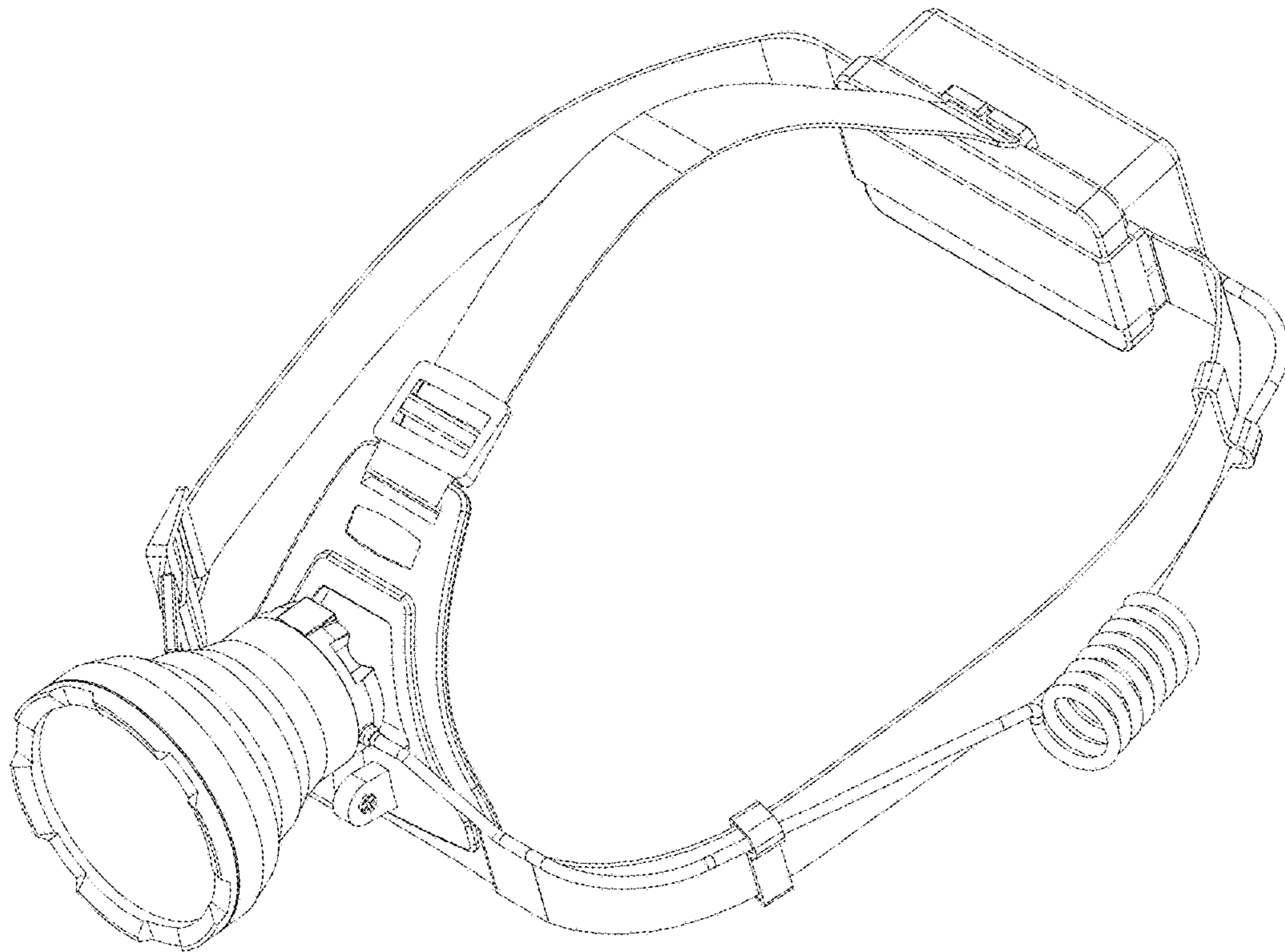


FIG. 7