



US00D820996S

(12) **United States Design Patent**
Knaus et al.

(10) **Patent No.:** **US D820,996 S**

(45) **Date of Patent:** **** Jun. 19, 2018**

(54) **CELL CULTURE POT**

A61M 39/0247; A61M 1/0056; A61B 10/0096; A61B 10/0045; C12N 5/0636

(71) Applicant: **CELL MEDICA LIMITED**, London (GB)

See application file for complete search history.

(72) Inventors: **Rainer Ludwig Knaus**, London (GB); **Gavin Holms**, London (GB); **Katy Rebecca Newton**, London (GB); **Tina Lesley Crombie**, London (GB); **Andrew Roy MacLeod Provan**, Stockport (GB)

(56) **References Cited**

U.S. PATENT DOCUMENTS

3,855,997	A *	12/1974	Sauer	B01L 3/50825
				215/309
D235,890	S *	7/1975	Dragota	D24/224
4,166,768	A *	9/1979	Tolbert	B01D 29/11
				435/297.3
4,178,209	A *	12/1979	Tolbert	C12M 29/04
				435/297.2
4,184,916	A *	1/1980	Tolbert	C12M 27/02
				435/394
D282,283	S *	1/1986	Weigl	D24/129
4,661,455	A *	4/1987	Hubbard	C12M 29/04
				435/297.1

(73) Assignee: **CELL MEDICA LIMITED**, London (GB)

(**) Term: **14 Years**

(21) Appl. No.: **29/485,083**

(22) Filed: **Mar. 14, 2014**

(Continued)

Primary Examiner — Ian Simmons

Assistant Examiner — Mark Cavanna

(74) *Attorney, Agent, or Firm* — Saul Ewing Arnstein & Lehr LLP

Related U.S. Application Data

(63) Continuation of application No. PCT/GB2012/052587, filed on Oct. 19, 2012.

(51) **LOC (11) Cl.** **24-02**

(52) **U.S. Cl.**
USPC **D24/224**

(58) **Field of Classification Search**

USPC D24/216, 222–226, 231, 121, 122, 129;
D9/537, 548, 549, 436–437, 435;
435/304.1–305.4, 39, 325, 297.1–297.3,
435/394; 422/536, 551, 556, 558;
D23/209; 600/562; 215/309; 604/175

CPC C12M 23/08; C12M 1/22; C12M 23/12;
C12M 1/20; C12M 29/04; C12M 27/02;
C12M 23/14; C12M 21/06; C12M 29/26;
C12M 23/24; C12M 37/04; C12M 29/20;
C12M 25/02; C12M 37/02; G01N 1/36;
B01L 3/5085; B01L 3/08; B01L 3/5082;
B01L 3/50825; B01D 29/11; B01D 35/30;

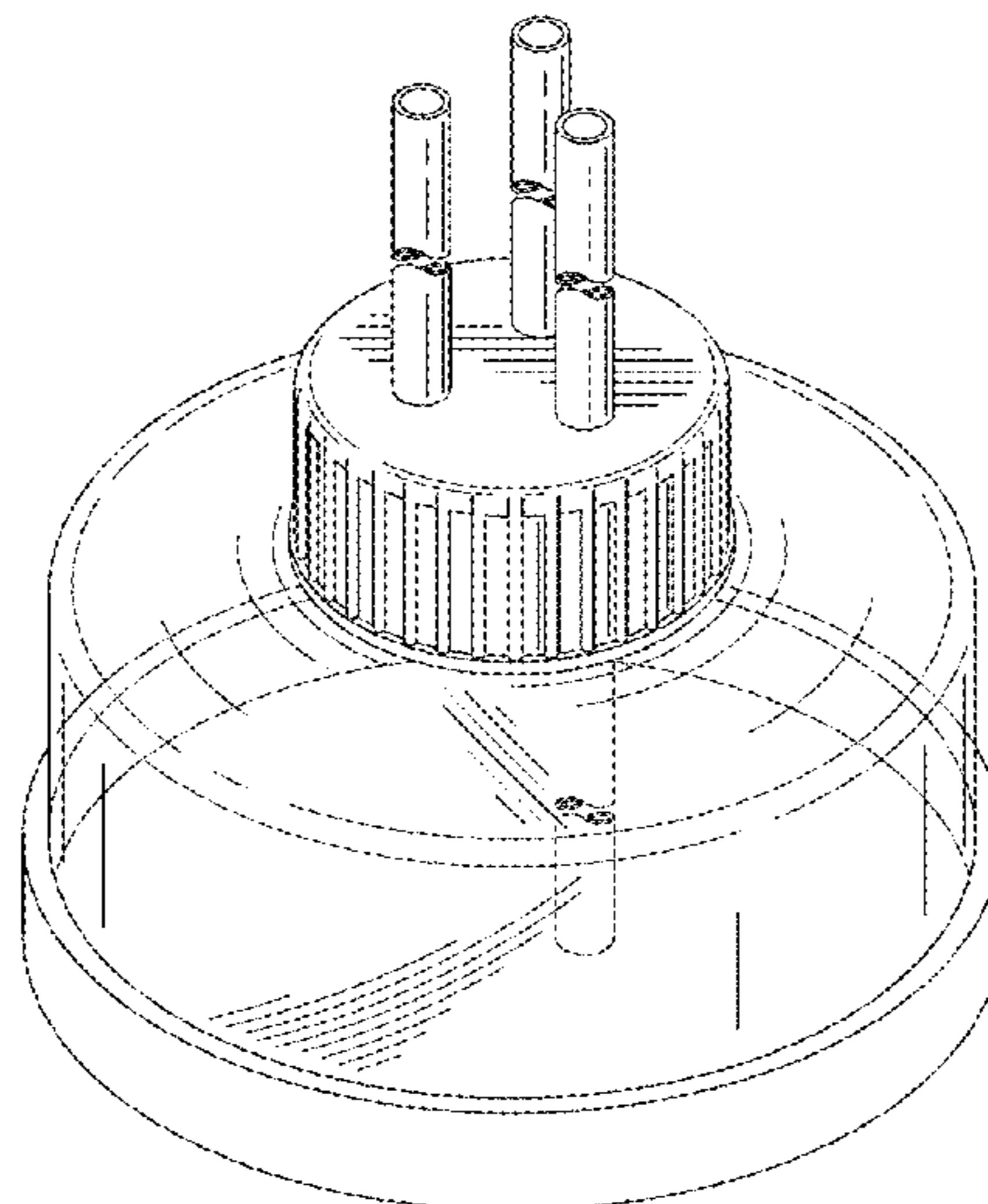
(57) **CLAIM**

The ornamental design for a cell culture pot, as shown and described.

DESCRIPTION

FIG. 1 is an enlarged top perspective view of a cell culture pot showing my new design;
FIG. 2 is an enlarged front view of the cell culture pot;
FIG. 3 is a left side view of the cell culture pot;
FIG. 4 is a right side view of the cell culture pot;
FIG. 5 is a top view of the cell culture pot; and,
FIG. 6 is a bottom view of the cell culture pot.
The tubes of the cell culture pot are shown with a symbolic break in their length. The appearance of any portion of the article between the break lines forms no part of the claimed design.

1 Claim, 6 Drawing Sheets



(56)

References Cited

U.S. PATENT DOCUMENTS

4,810,246 A * 3/1989 Frisch A61M 39/0247
604/175
D303,428 S * 9/1989 Wada D24/224
D306,266 S * 2/1990 Hargrove D24/224
D316,753 S * 5/1991 Ricketts D24/224
D322,323 S * 12/1991 Moir D24/224
D336,043 S * 6/1993 Provencio D9/436
5,350,080 A * 9/1994 Brown C12M 23/14
604/408
D359,684 S * 6/1995 Duggan D9/436
D370,411 S * 6/1996 Vernon, IV D9/436
5,624,418 A * 4/1997 Shepard A61M 1/0056
210/443
D399,097 S * 10/1998 Yang D9/524
D399,098 S * 10/1998 Yang D9/524
D404,497 S * 1/1999 Lahm D24/224
D425,624 S * 5/2000 Choi D24/224
D459,656 S * 7/2002 Burger D9/549
D490,323 S * 5/2004 Giovanni D9/558
D637,733 S * 5/2011 Wei D24/226
D638,136 S * 5/2011 Parunak D24/224

D667,959 S * 9/2012 Lin D24/224
D674,505 S * 1/2013 Cecchi D24/224
D678,544 S * 3/2013 Mueller D24/216
8,465,439 B2 * 6/2013 Parks A61B 10/0096
600/562
D690,826 S * 10/2013 Kuroda D24/224
D698,940 S * 2/2014 Pribenszky D24/224
D700,354 S * 2/2014 Plougsgaard C12M 21/06
D24/224
D728,123 S * 4/2015 Cullimore D24/224
D731,672 S * 6/2015 Kuroda D24/224
D744,857 S * 12/2015 Gieske D9/435
9,220,485 B2 * 12/2015 Parks A61B 10/0045
9,315,774 B2 * 4/2016 Knaus C12M 23/24
D755,922 S * 5/2016 Sherman B01D 35/30
D23/209
D767,160 S * 9/2016 Schimmel D24/226
D767,161 S * 9/2016 Schimmel D24/226
D767,162 S * 9/2016 Schimmel D24/226
D771,832 S * 11/2016 Yeager D24/224
2010/0304473 A1 * 12/2010 Kim C12M 23/08
435/304.3
2015/0232795 A1 * 8/2015 Kim C12M 29/26
435/304.3

* cited by examiner

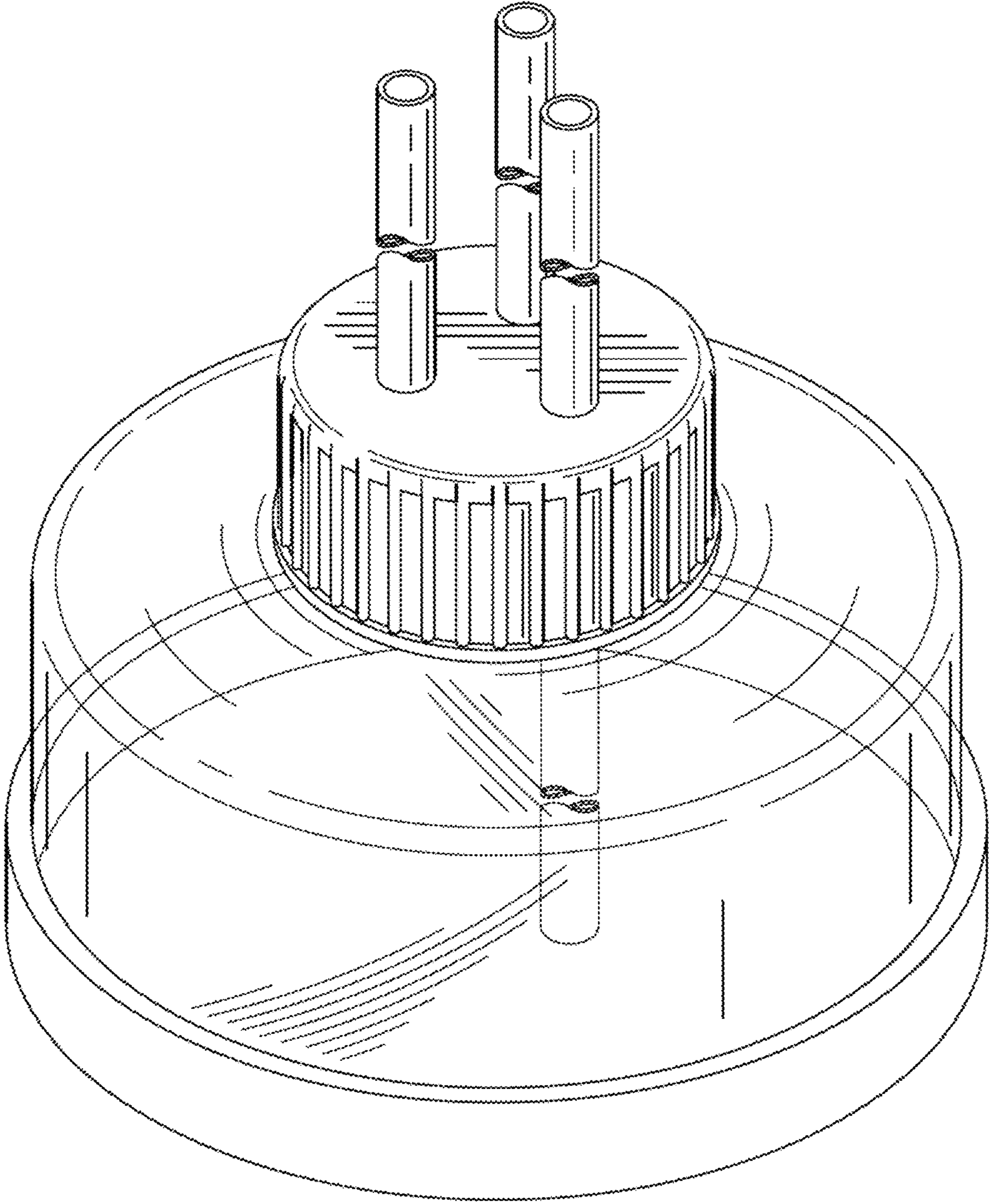


FIG. 1

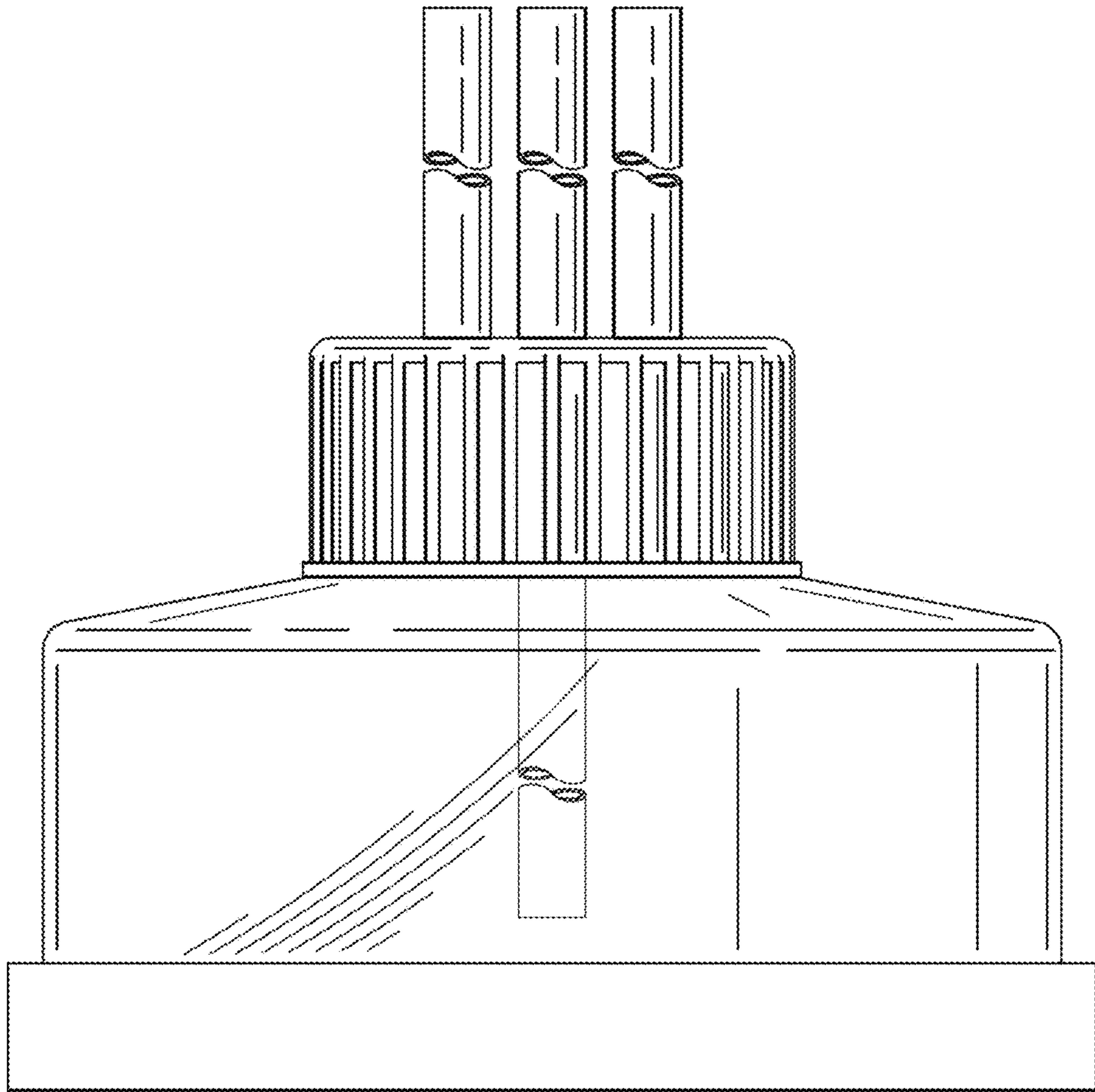


FIG. 2

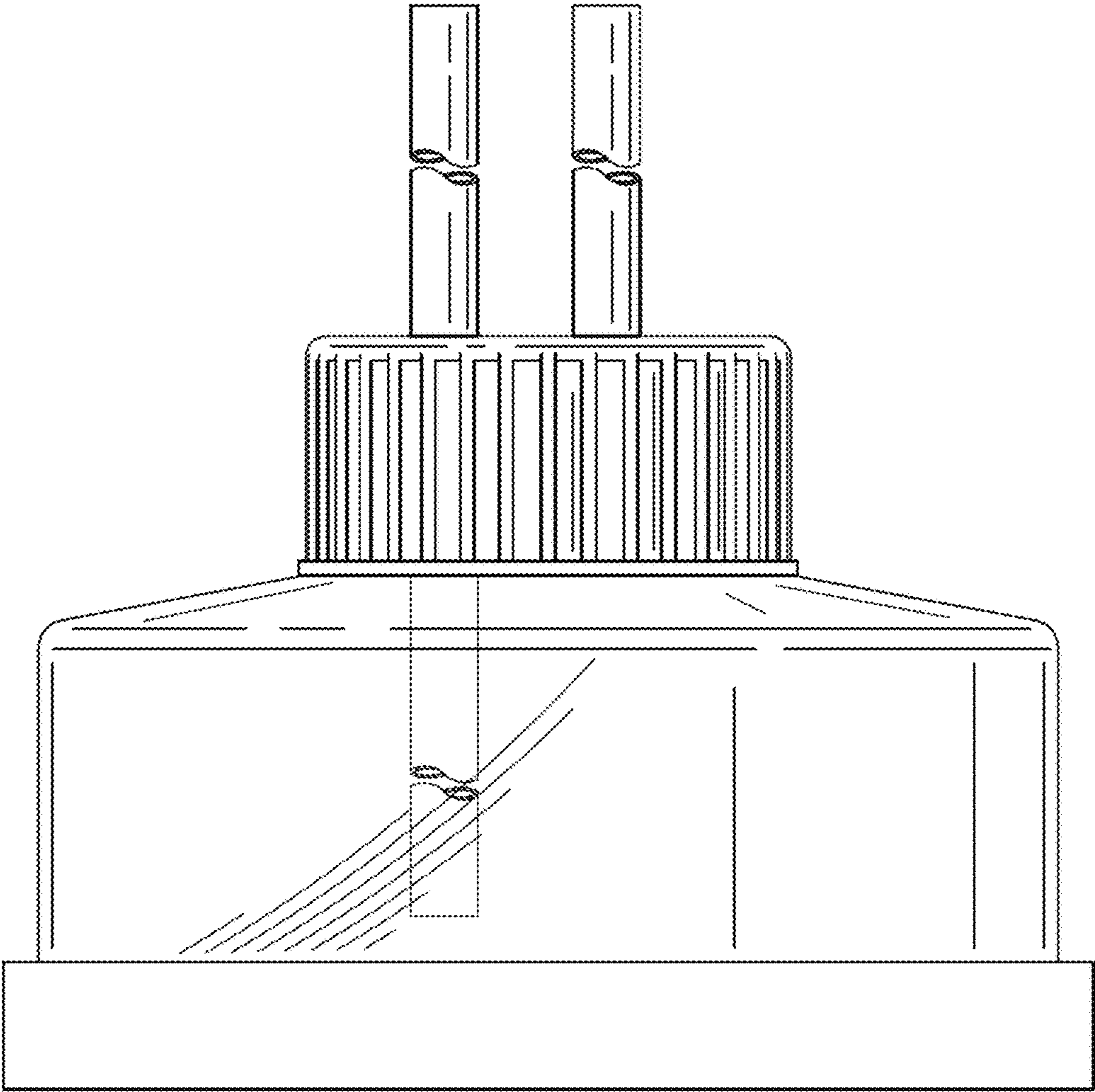


FIG. 3

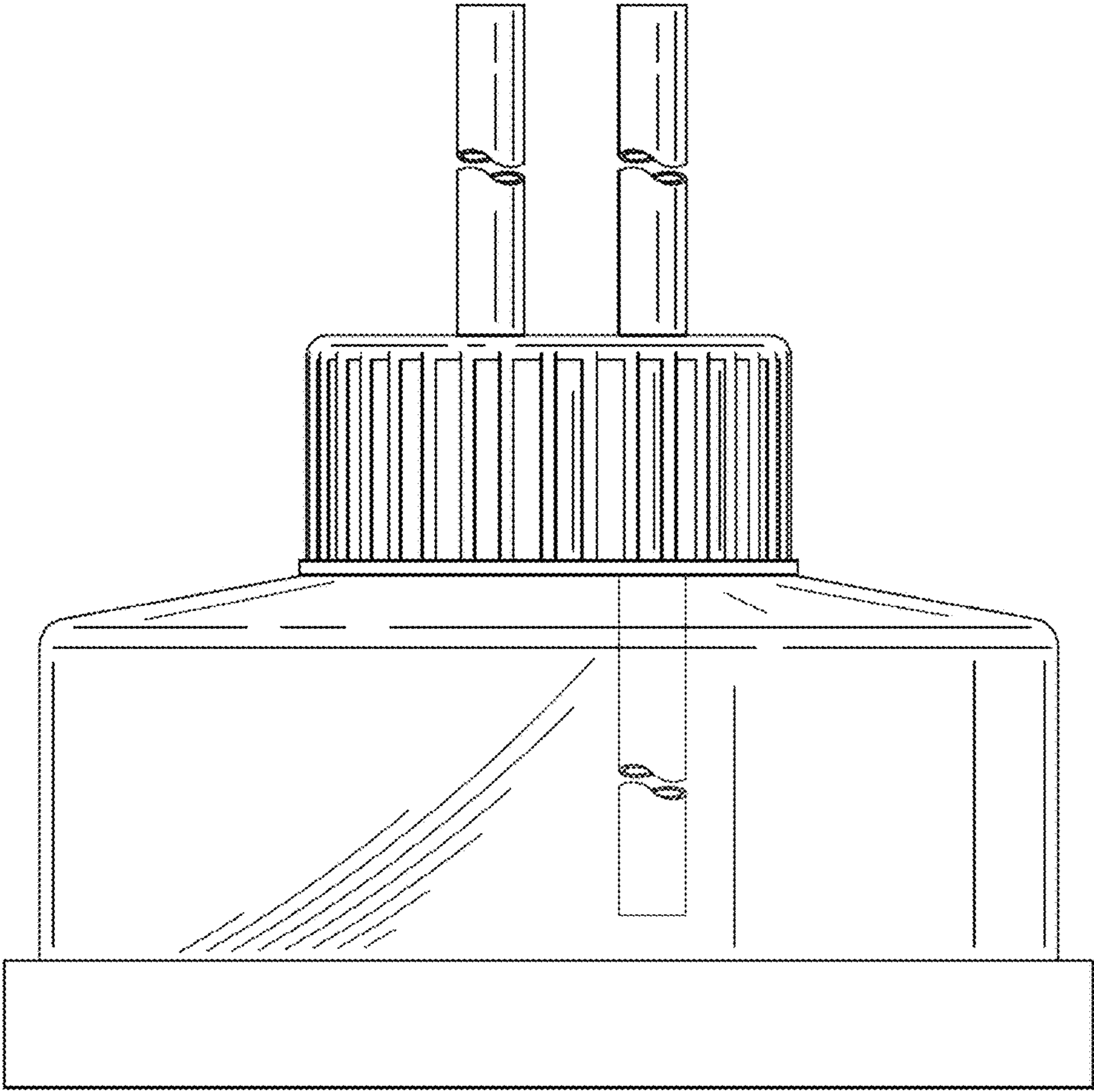


FIG. 4

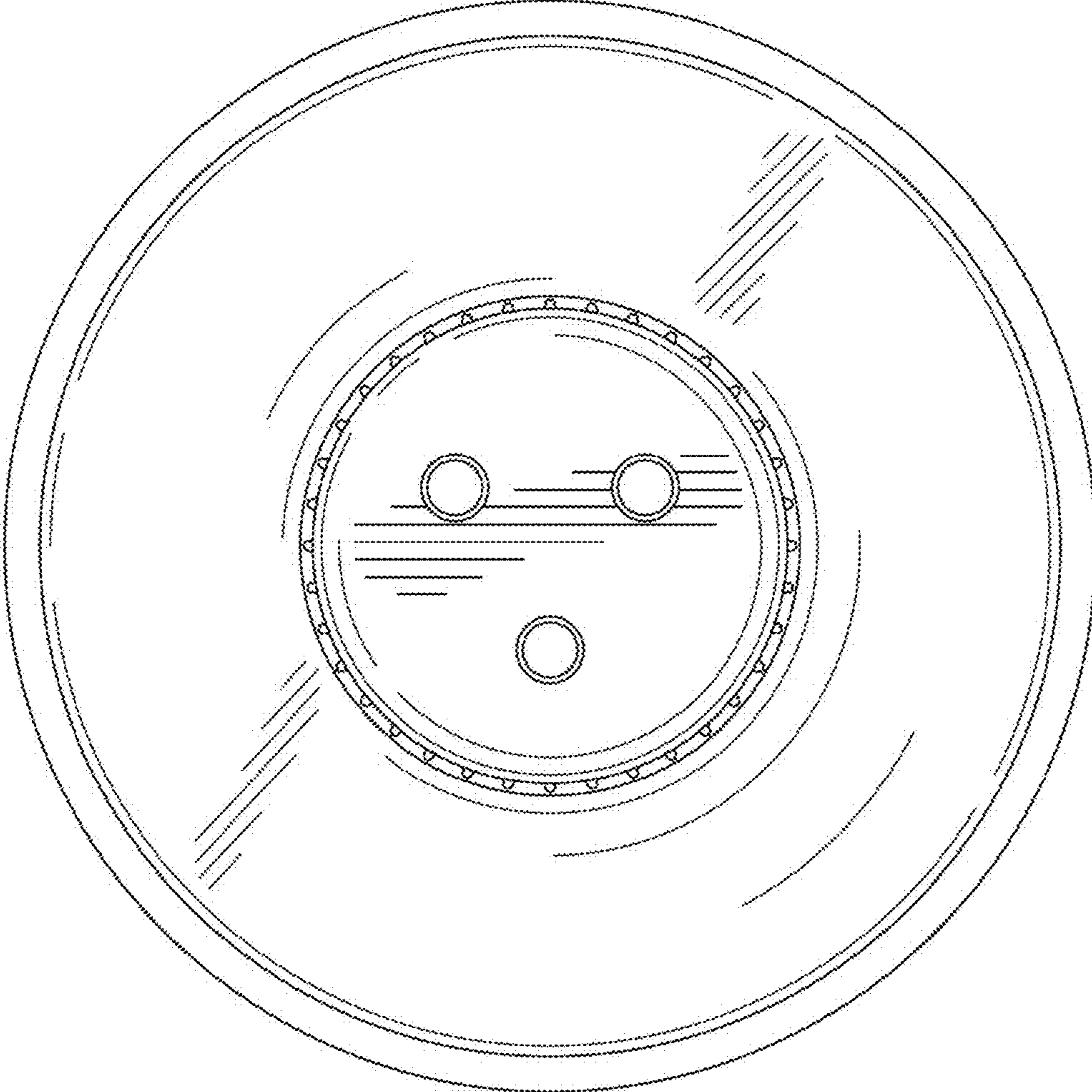


FIG. 5

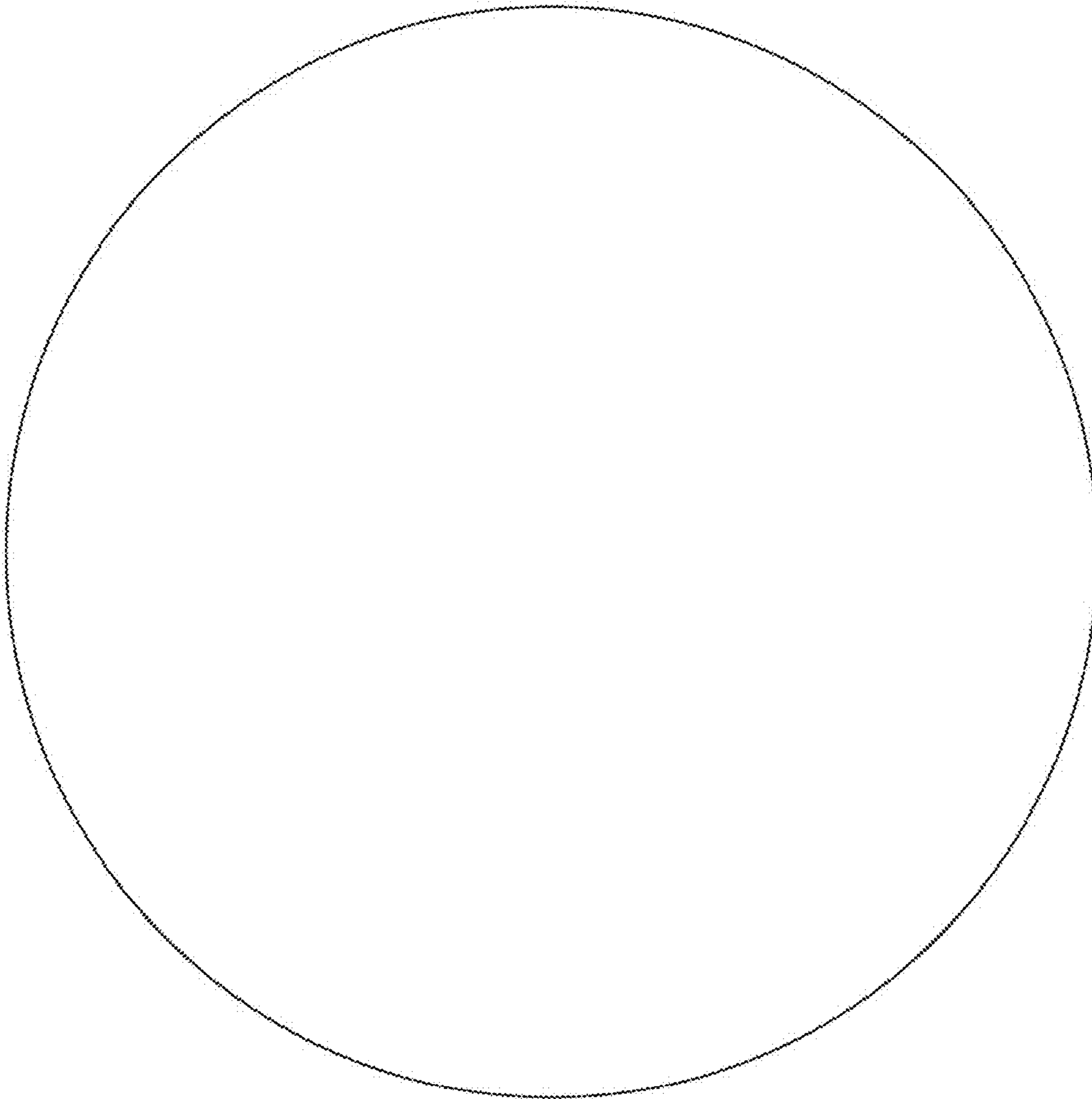


FIG. 6