



US00D820992S

(12) **United States Design Patent**
King

(10) **Patent No.:** **US D820,992 S**
(45) **Date of Patent:** **** Jun. 19, 2018**

- (54) **THERAPEUTIC SUCTION CUP**
- (71) Applicant: **Susan R. King**, Mount Pleasant, SC
(US)
- (72) Inventor: **Susan R. King**, Mount Pleasant, SC
(US)
- (**) Term: **15 Years**
- (21) Appl. No.: **29/598,286**
- (22) Filed: **Mar. 24, 2017**
- (51) **LOC (11) Cl.** **28-03**
- (52) **U.S. Cl.**
USPC **D24/200; D8/354**
- (58) **Field of Classification Search**
USPC D24/200, 186, 188, 206, 214, 107;
D8/354, 349
CPC A61H 7/008; A61H 7/00; A61H 7/001;
A61H 9/00; A61H 9/005; A61H 9/0057;
A61H 2009/0064; A61H 2201/013; A61H
2201/0157; A61H 2205/081; F16B 47/00
See application file for complete search history.

- D578,868 S * 10/2008 Ramakers D8/354
- 7,670,280 B2 * 3/2010 Gloth A61H 2009/006
600/38
- D636,089 S * 4/2011 Yoo D24/200
- D735,557 S * 8/2015 Leshem D8/354
- 2002/0002346 A1 * 1/2002 Horst A61H 9/005
601/6
- 2015/0313788 A1 * 11/2015 Conte A61H 9/0057
601/6

* cited by examiner

Primary Examiner — Wan Laymon

(74) *Attorney, Agent, or Firm* — Dunlap Bennett & Ludwig PLLC

(57) **CLAIM**

The ornamental design for a therapeutic suction cup, as shown and described.

DESCRIPTION

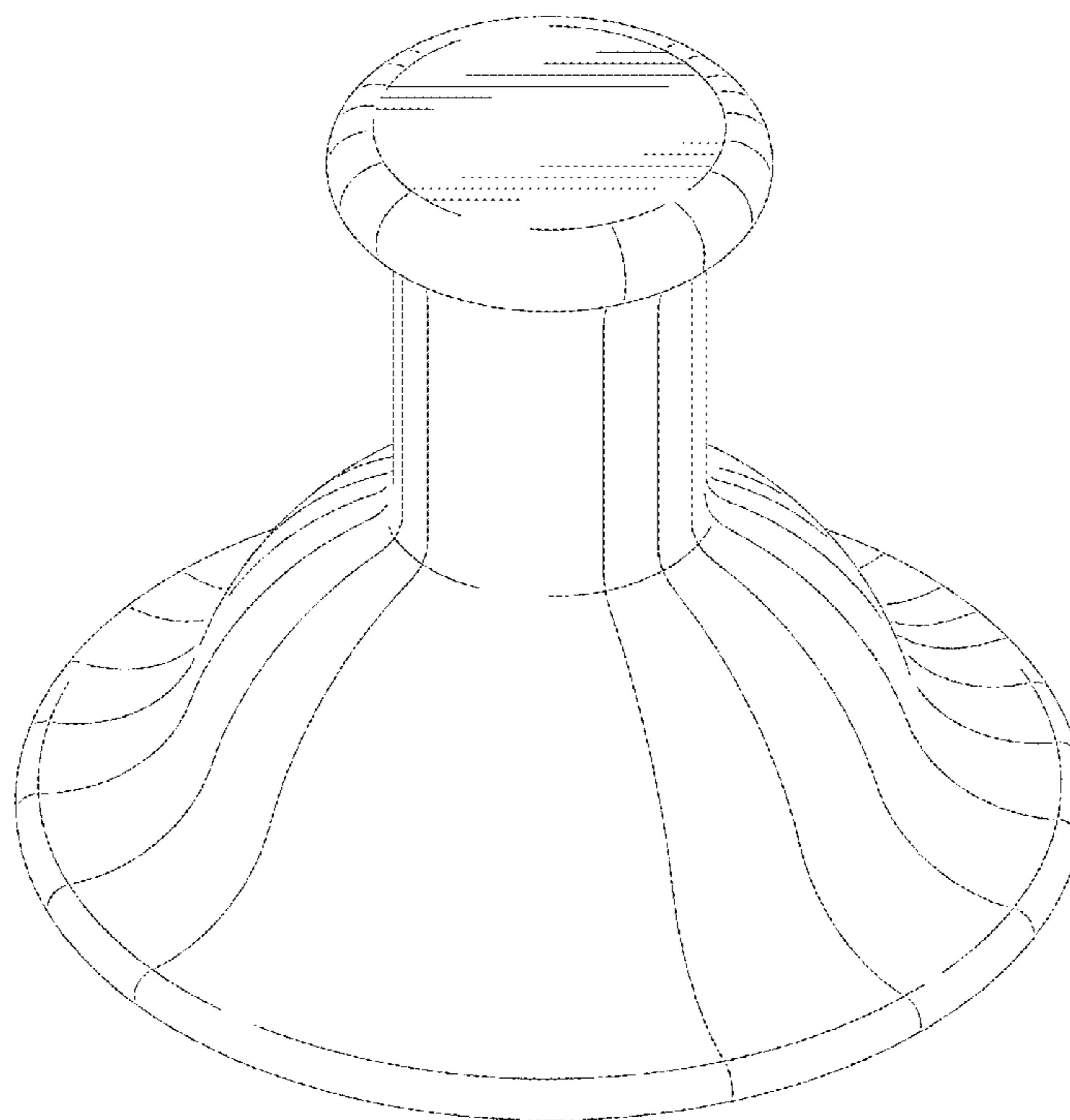
FIG. 1 is a top front perspective view of a therapeutic suction cup;
 FIG. 2 is a front elevation view of the therapeutic suction cup, with rear, right and left elevation views being a mirror image thereof;
 FIG. 3 is a top elevation view thereof;
 FIG. 4 is a bottom elevation view thereof; and,
 FIG. 5 is a section view thereof taken along line 5-5 in FIG. 3.

1 Claim, 5 Drawing Sheets

(56) **References Cited**

U.S. PATENT DOCUMENTS

- 2,879,765 A * 3/1959 Featherston A61H 9/005
4/255.12
- D403,428 S * 12/1998 Russo D24/200
- 6,733,438 B1 * 5/2004 Dann H20O 9/0064
600/38
- 6,949,067 B1 * 9/2005 Dann H20O 9/0064
600/38



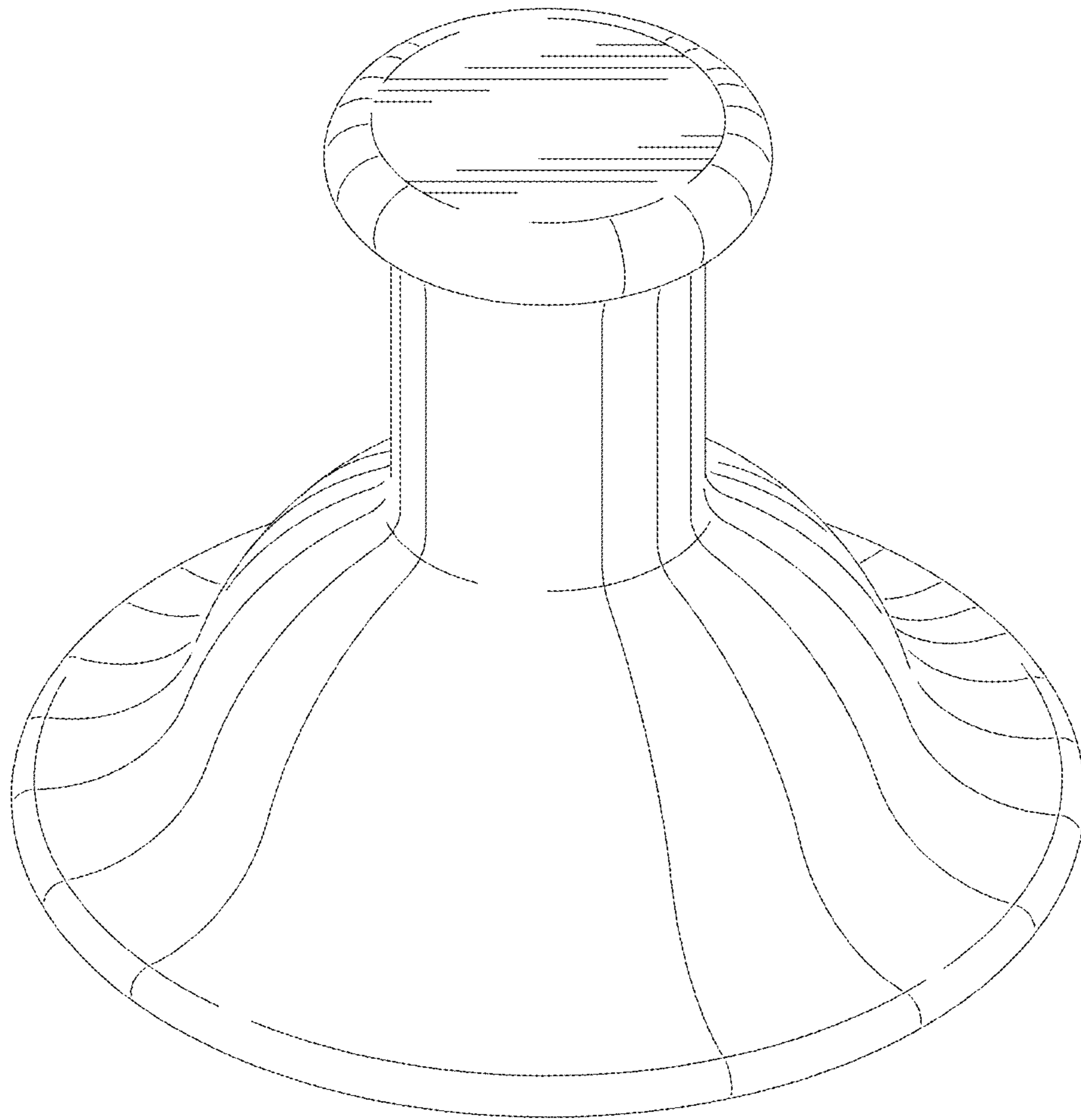


FIG. 1

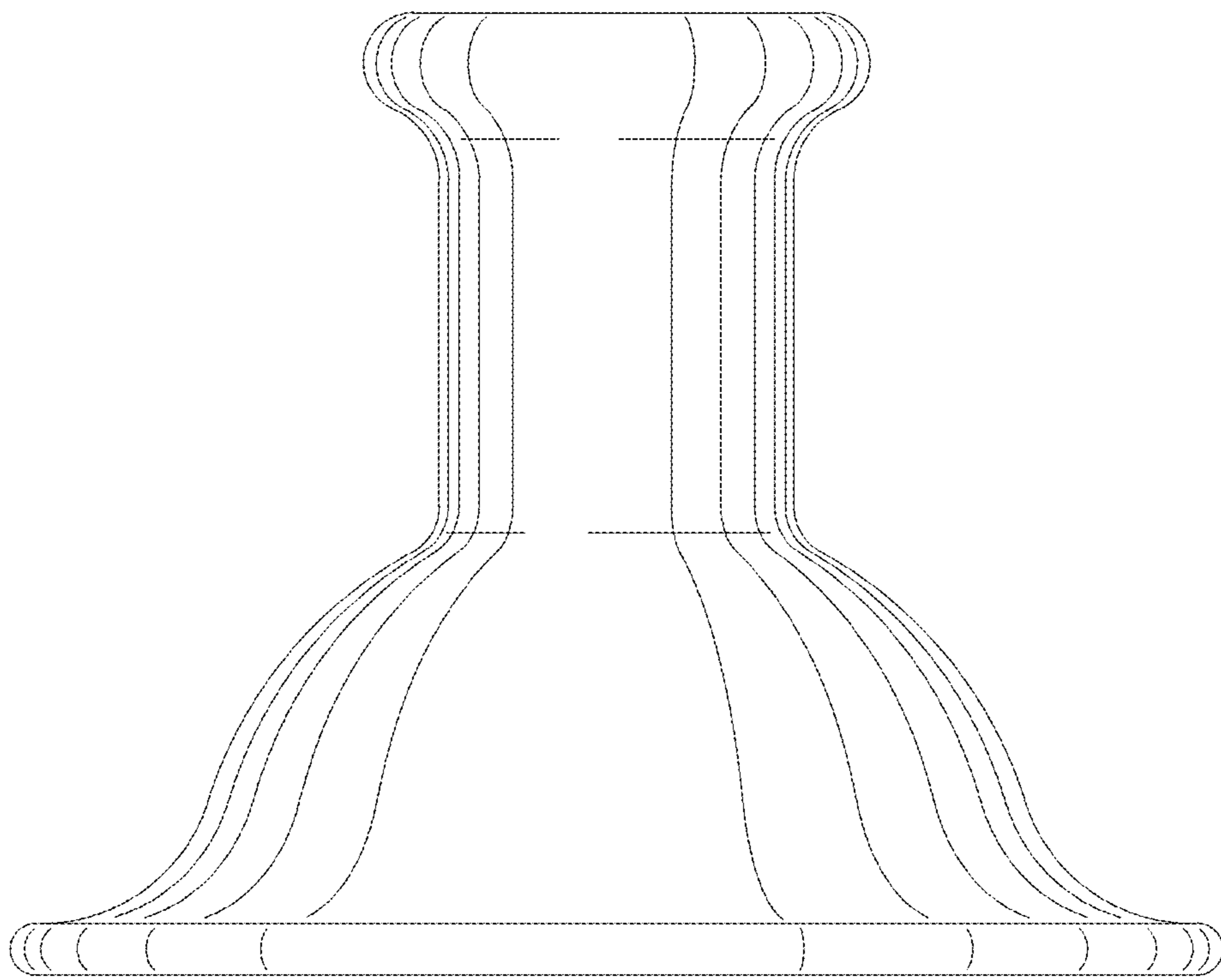


FIG. 2

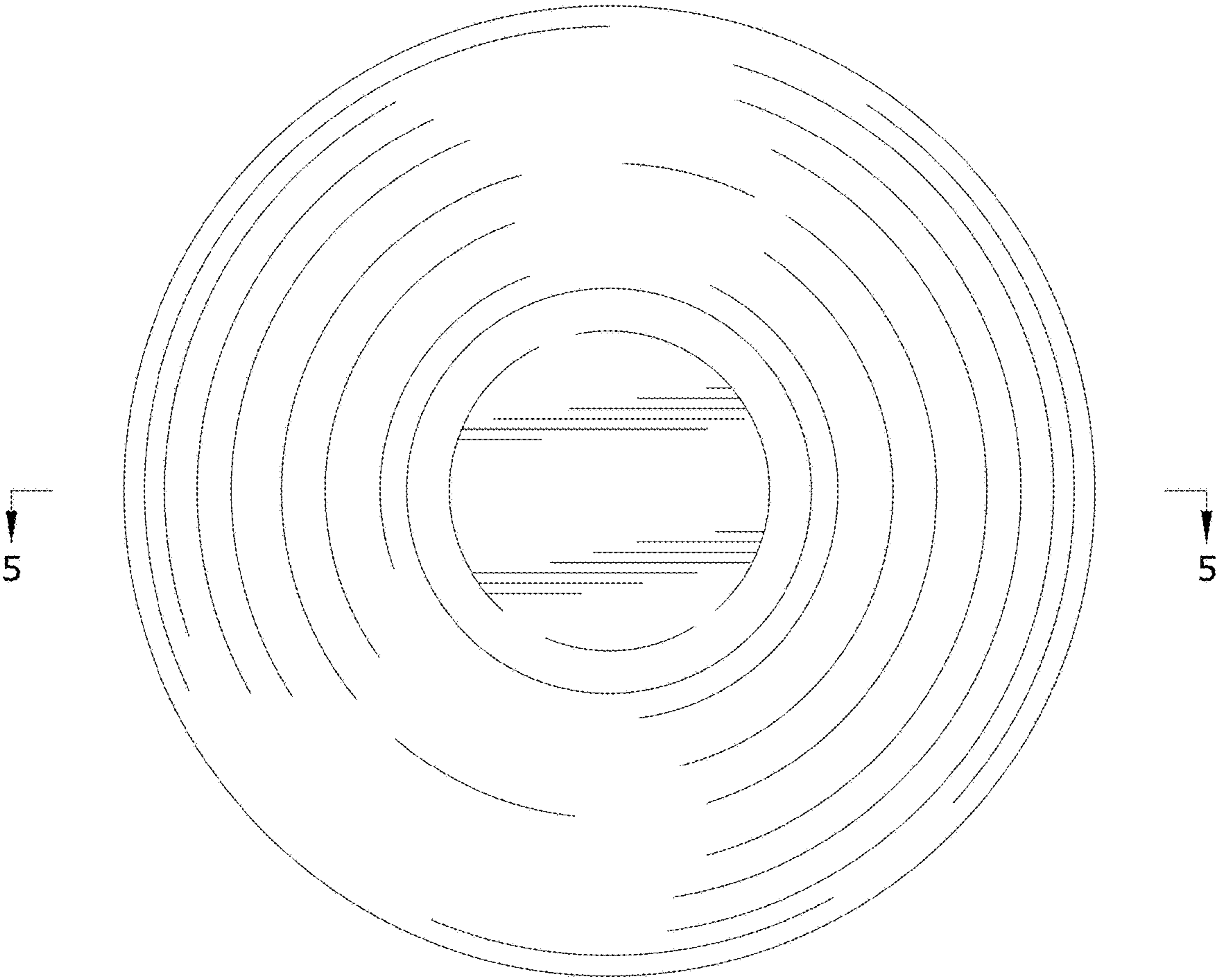


FIG.3

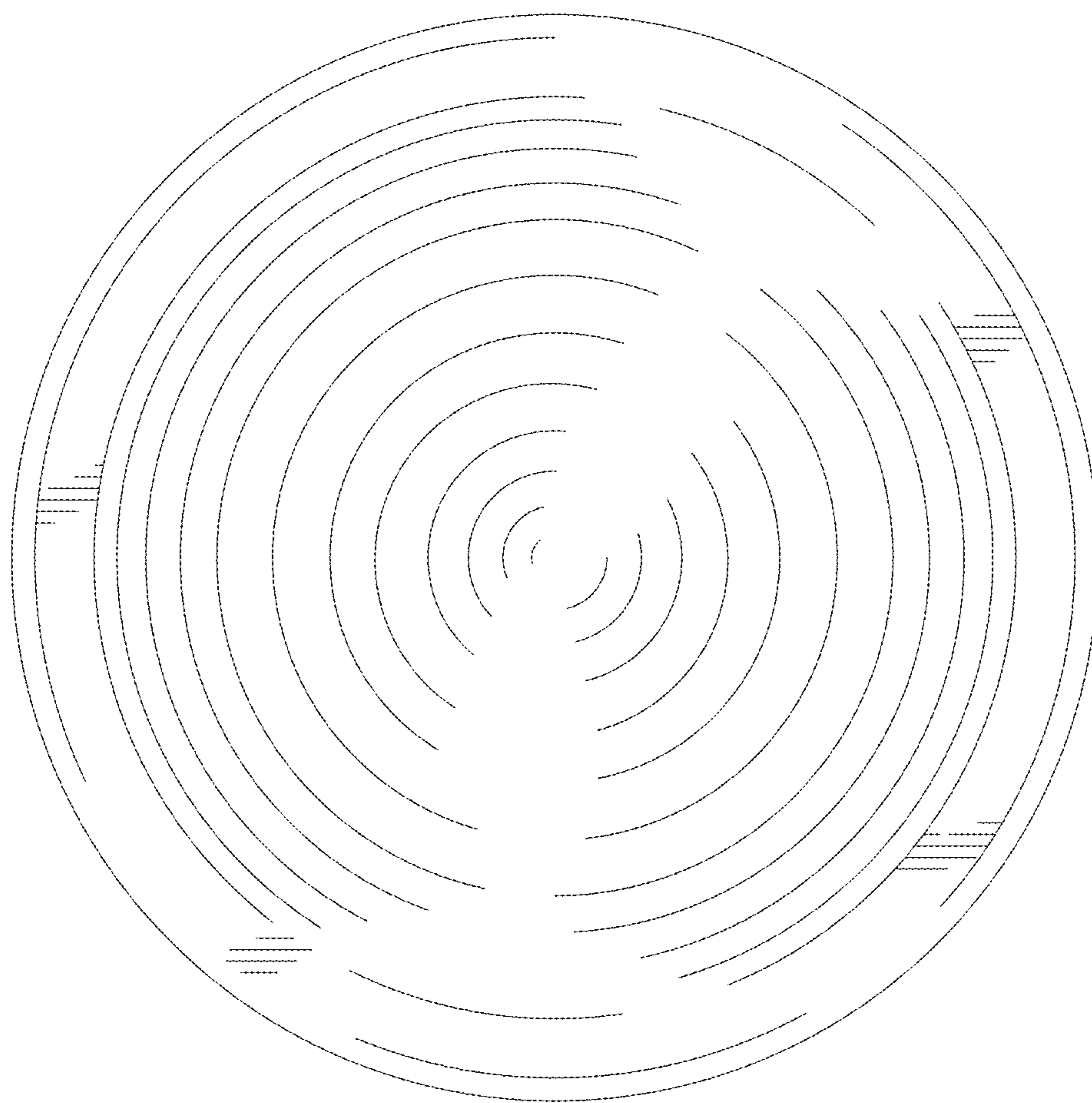


FIG.4

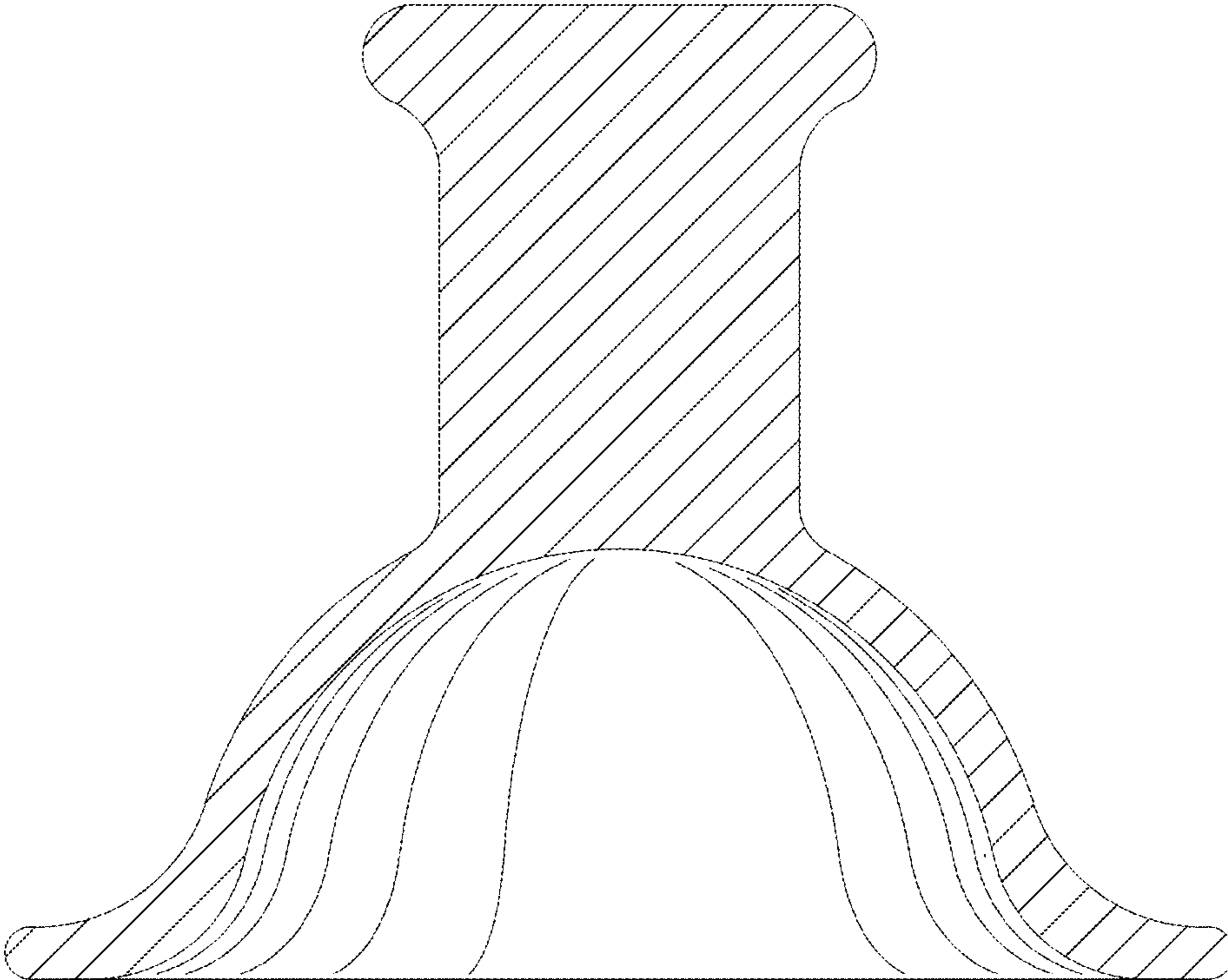


FIG.5