



US00D820991S

(12) **United States Design Patent**
Hylton et al.

(10) **Patent No.:** **US D820,991 S**
(45) **Date of Patent:** **** Jun. 19, 2018**

(54) **STIFFENER RECEIVER AND ATTACHMENT WRAP FOR ORTHOTIC DEVICE**

FOREIGN PATENT DOCUMENTS

- (71) Applicant: **CHILDREN'S THERAPY CENTER**,
Burien, WA (US)
- (72) Inventors: **Nancy Hylton**, Burien, WA (US); **Brad Shatto**, Burien, WA (US); **Christie Skoorsmith**, Burien, WA (US)
- (73) Assignee: **CHILDREN'S THERAPY CENTER**,
Burien, WA (US)

FR 2838957 A1 10/2003
WO WO 2004/019812 A2 3/2004

Primary Examiner — Thomas Johannes
Assistant Examiner — Samantha Q. Lawrence
(74) *Attorney, Agent, or Firm* — R. Reams Goodloe, Jr.

(**) Term: **15 Years**

(57) **CLAIM**

The ornamental design for a stiffener receiver and attachment wrap for orthotic device, as shown and described.

(21) Appl. No.: **29/581,248**

DESCRIPTION

(22) Filed: **Oct. 17, 2016**

(51) **LOC (11) Cl.** **24-02**

(52) **U.S. Cl.**
USPC **D24/190**

(58) **Field of Classification Search**
USPC D24/189, 190, 191, 192, 188, 206, 207;
D29/101.1, 101.2, 122, 113, 117.1–119,
D29/123; 602/7, 16, 20, 23, 27, 28, 56,
602/60, 61, 62, 65, 66; D2/618, 619,
D2/621, 610
CPC .. A61F 5/028; A61F 5/02; A61F 5/022; A61F
5/055; Y10S 128/23
See application file for complete search history.

FIG. 1 is a perspective view of a stiffener receiver and attachment wrap for orthotic device in accordance with the invention comprising a stiffener receiver, and a body conforming attachment wrap.
FIG. 2 is a front view of a stiffener receiver and attachment wrap for orthotic device.
FIG. 3 is a back view of a stiffener receiver and attachment wrap.
FIG. 4 is a right side view of the stiffener receiver and attachment wrap for orthotic device.
FIG. 5 is a left side view of the stiffener receiver and attachment wrap for orthotic device.
FIG. 6 is a top plan view taken looking down at the top of the stiffener receiver and attachment wrap for orthotic device; and,
FIG. 7 is bottom plan view taken looking up at the underside of the stiffener receiver and attachment wrap for orthotic device.
In the drawing figures, surface shading is used to clearly show the character and contour of surfaces of the 3-dimensional aspects of the design, and form no part of the claimed design.
The broken lines in FIG. 1 that show a humanoid figure illustrate environment. All other broken lines illustrate stitching and form no part of the claimed design.

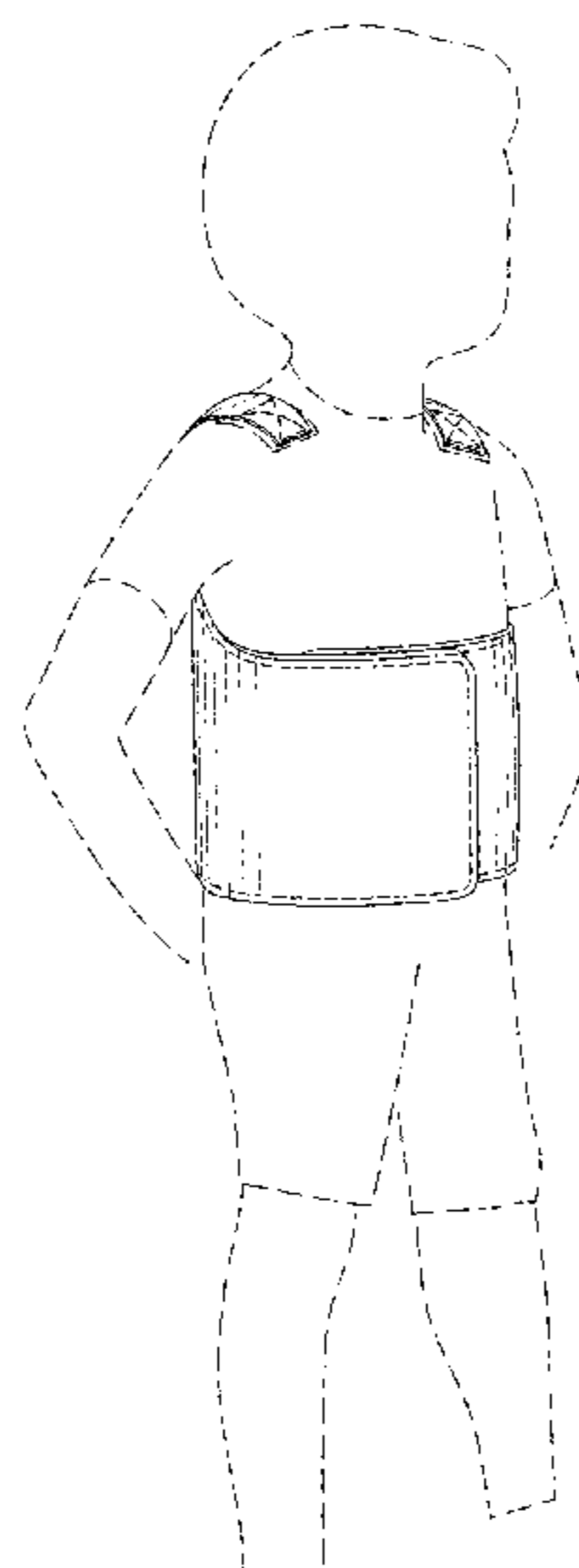
(56) **References Cited**

U.S. PATENT DOCUMENTS

89,018 A	4/1869	Brooks	
3,068,860 A	12/1962	Strazdas	
3,362,402 A	1/1968	Loeffel et al.	
4,143,654 A	3/1979	Sherman	
D267,976 S *	2/1983	Hammer et al.	D24/190
4,715,362 A	12/1987	Scott	
4,753,245 A	6/1988	Gedeon	
D300,475 S *	3/1989	Caulder	D29/101.1

(Continued)

1 Claim, 4 Drawing Sheets



(56)

References Cited

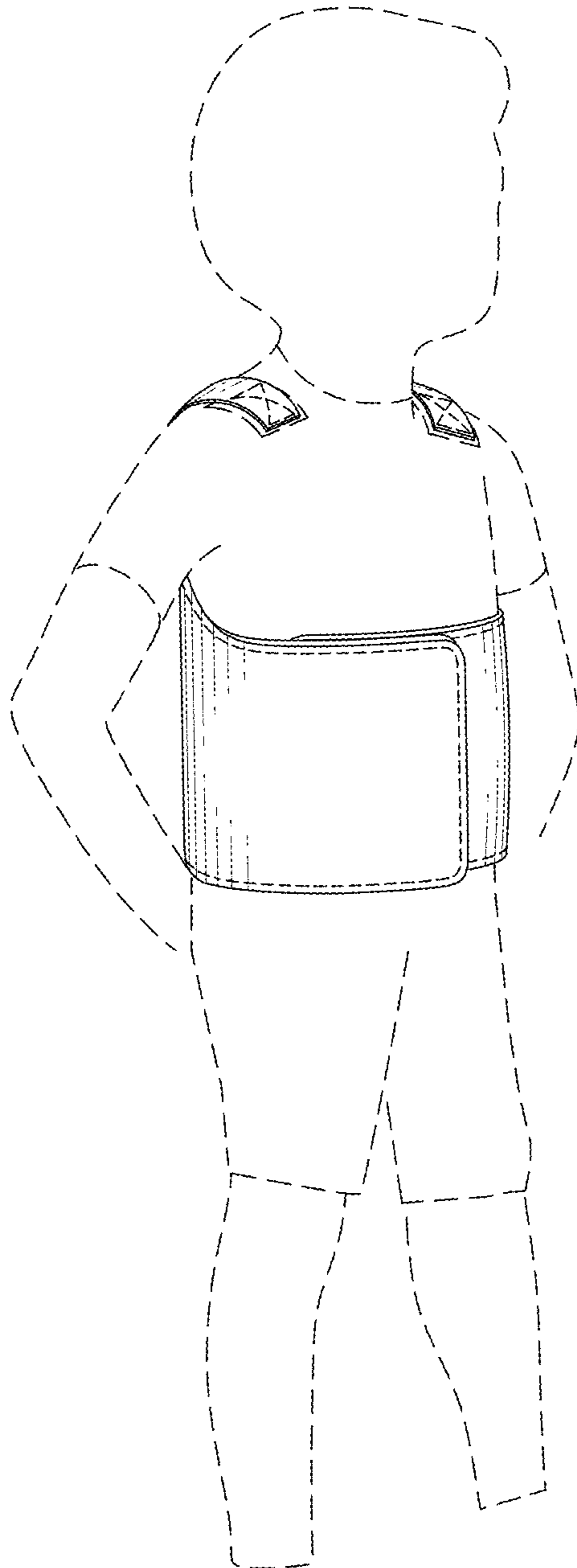
U.S. PATENT DOCUMENTS

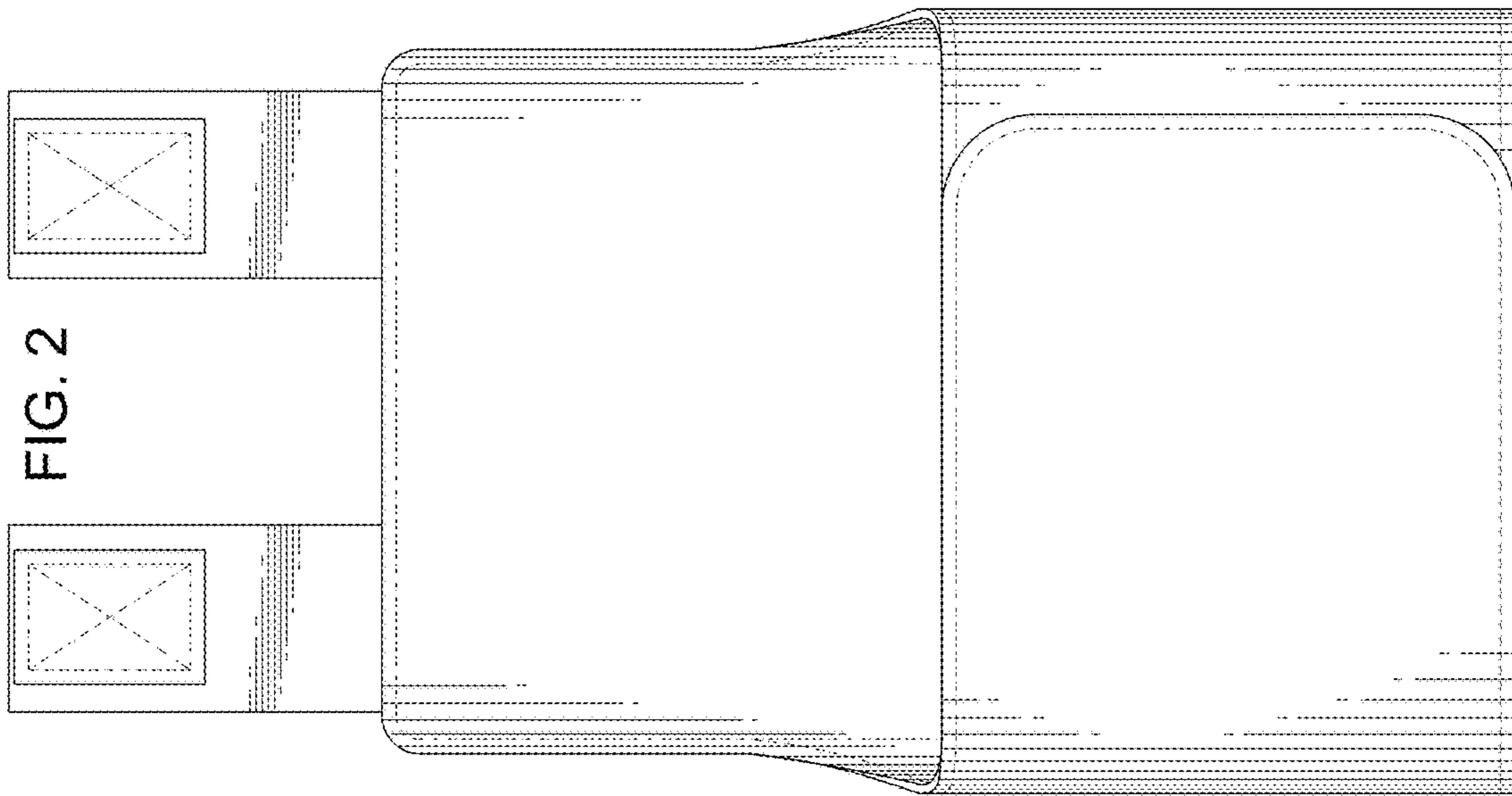
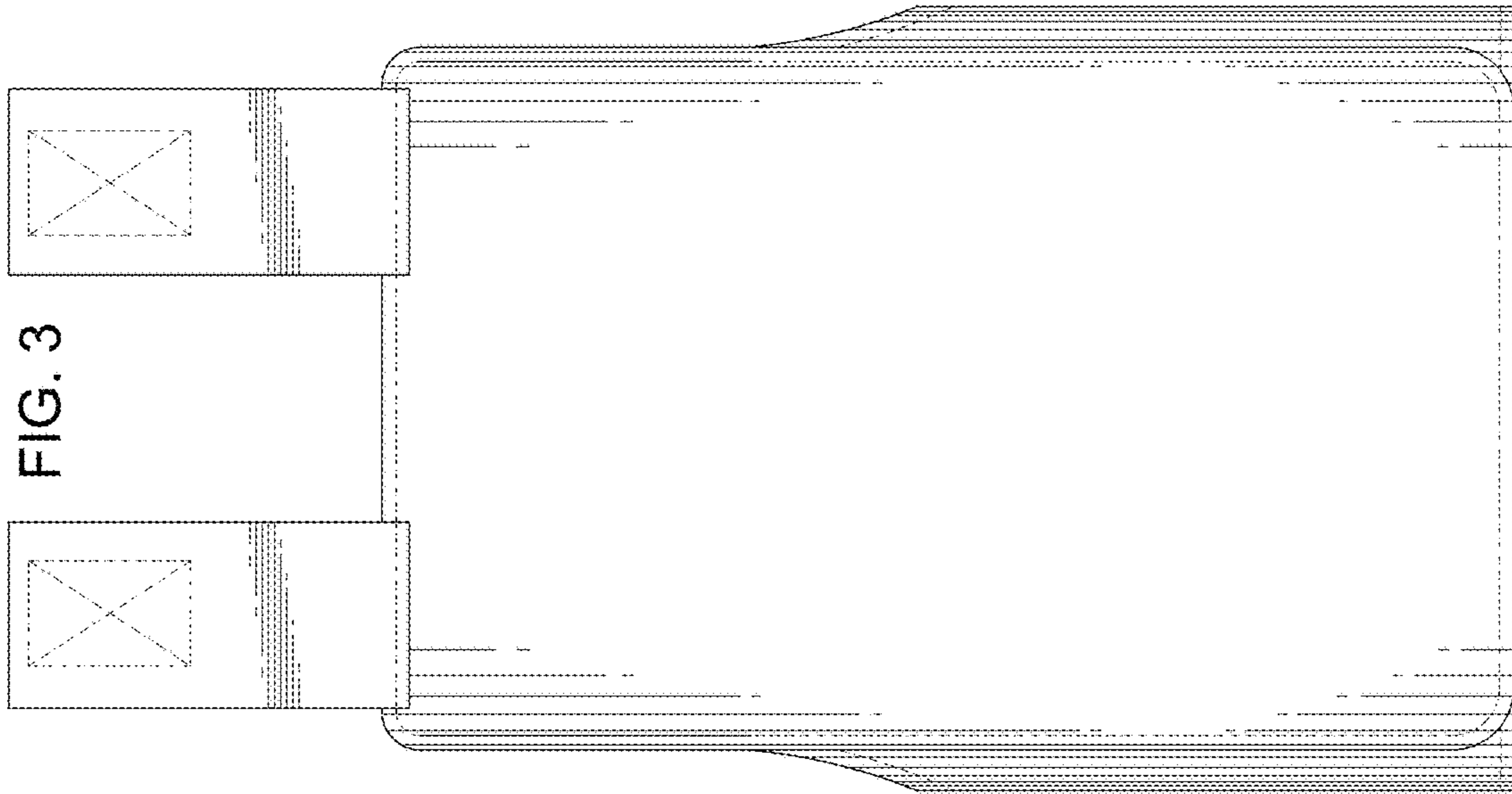
5,007,412 A 4/1991 DeWall
 5,072,725 A 12/1991 Miller
 D323,909 S 2/1992 DeWall
 D326,492 S * 5/1992 Leibowitz D21/683
 D334,063 S * 3/1993 DeWall D24/190
 5,259,831 A 11/1993 Lebron
 5,312,669 A 5/1994 Bedard
 5,399,151 A * 3/1995 Smith A61F 5/028
 2/44
 D370,744 S * 6/1996 Roberson D2/829
 D374,313 S * 10/1996 Munoz D24/190
 D375,581 S * 11/1996 Dyer D29/101.1
 5,709,648 A 1/1998 Webb
 5,765,224 A * 6/1998 Johnson A41C 1/02
 2/44
 6,086,551 A 7/2000 Allen
 6,213,968 B1 4/2001 Heinz et al.
 6,364,851 B1 4/2002 Nafpliotis
 D463,566 S * 9/2002 Slautterback D24/190
 6,478,759 B1 11/2002 Modglin
 6,533,358 B1 3/2003 Avihod
 D480,145 S * 9/2003 Slautterback D24/190
 6,932,780 B2 8/2005 Kozersky
 7,025,737 B2 4/2006 Modglin
 7,316,660 B1 1/2008 Modglin
 7,322,950 B2 1/2008 Modglin
 D608,008 S 1/2010 Jang
 7,654,972 B2 2/2010 Alleyne
 D612,507 S 3/2010 Arbesman et al.
 D621,053 S 8/2010 Kase

D621,518 S 8/2010 Arbesman et al.
 D636,964 S * 4/2011 Thomas D29/101.1
 8,007,457 B2 8/2011 Taylor
 D654,181 S 2/2012 Chiang
 D663,432 S 7/2012 Nichols
 D674,097 S 1/2013 Nichols
 D674,098 S 1/2013 Nichols
 D674,099 S 1/2013 Nichols
 8,409,122 B2 4/2013 Cropper et al.
 8,516,616 B2 8/2013 Nordstrom et al.
 8,533,872 B1 9/2013 Rodriguez
 8,657,769 B2 2/2014 Ingimundarson et al.
 8,821,424 B2 9/2014 Alleyne
 8,894,597 B2 11/2014 Newkirk
 8,910,317 B2 12/2014 Decker
 9,078,477 B2 7/2015 McAllister
 9,205,015 B2 12/2015 Guillen
 9,220,625 B2 12/2015 Ingimundarson et al.
 D776,287 S * 1/2017 Leonard D24/190
 D776,423 S * 1/2017 Zhou D24/190
 D778,532 S * 2/2017 Dorsey D2/624
 2005/0067861 A1 3/2005 Avihod
 2006/0000478 A1 1/2006 Taylor
 2008/0188785 A1 8/2008 Shutes et al.
 2008/0295216 A1 12/2008 Nordstrom et al.
 2008/0295230 A1 12/2008 Wright et al.
 2008/0319365 A1 12/2008 Kendrick
 2009/0133181 A1 5/2009 Nordstrom et al.
 2011/0203030 A1 8/2011 Nordstrom et al.
 2012/0150085 A1 6/2012 Kayser
 2013/0053750 A1 2/2013 Taylor
 2013/0086729 A1 4/2013 Carter et al.
 2014/0249459 A1 9/2014 Dallison et al.

* cited by examiner

FIG. 1





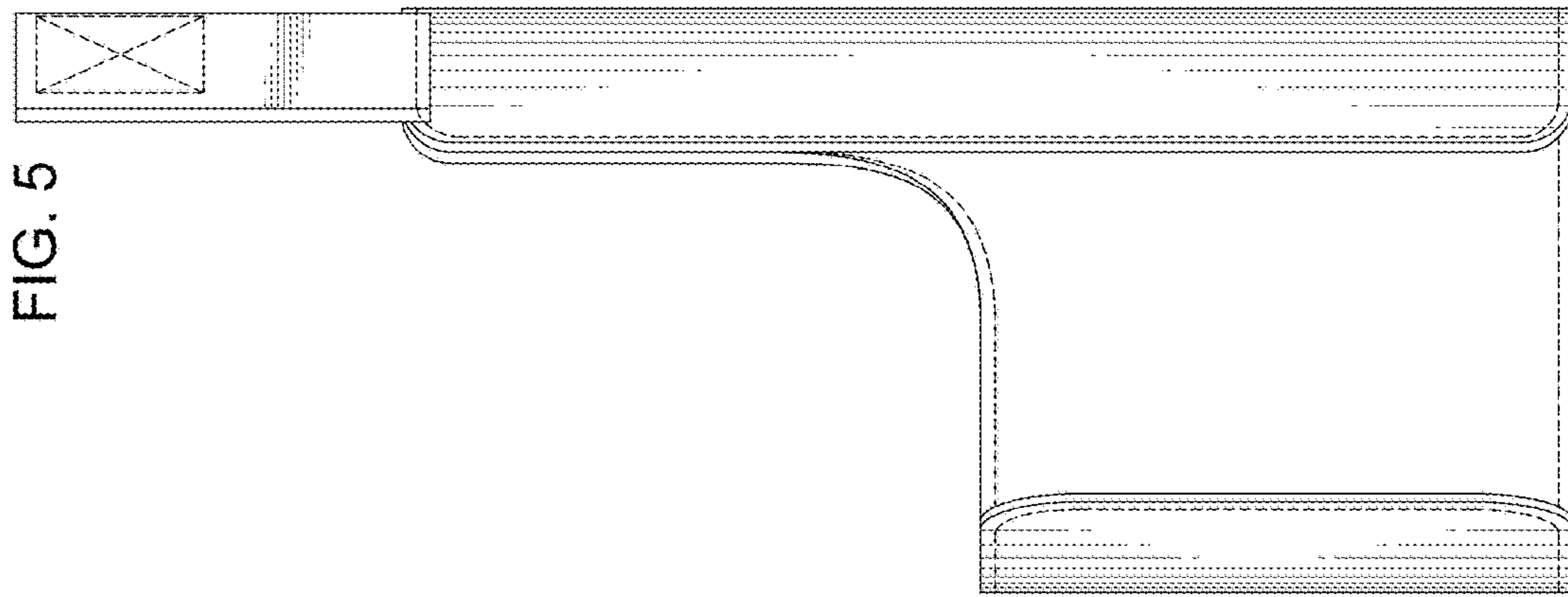


FIG. 5

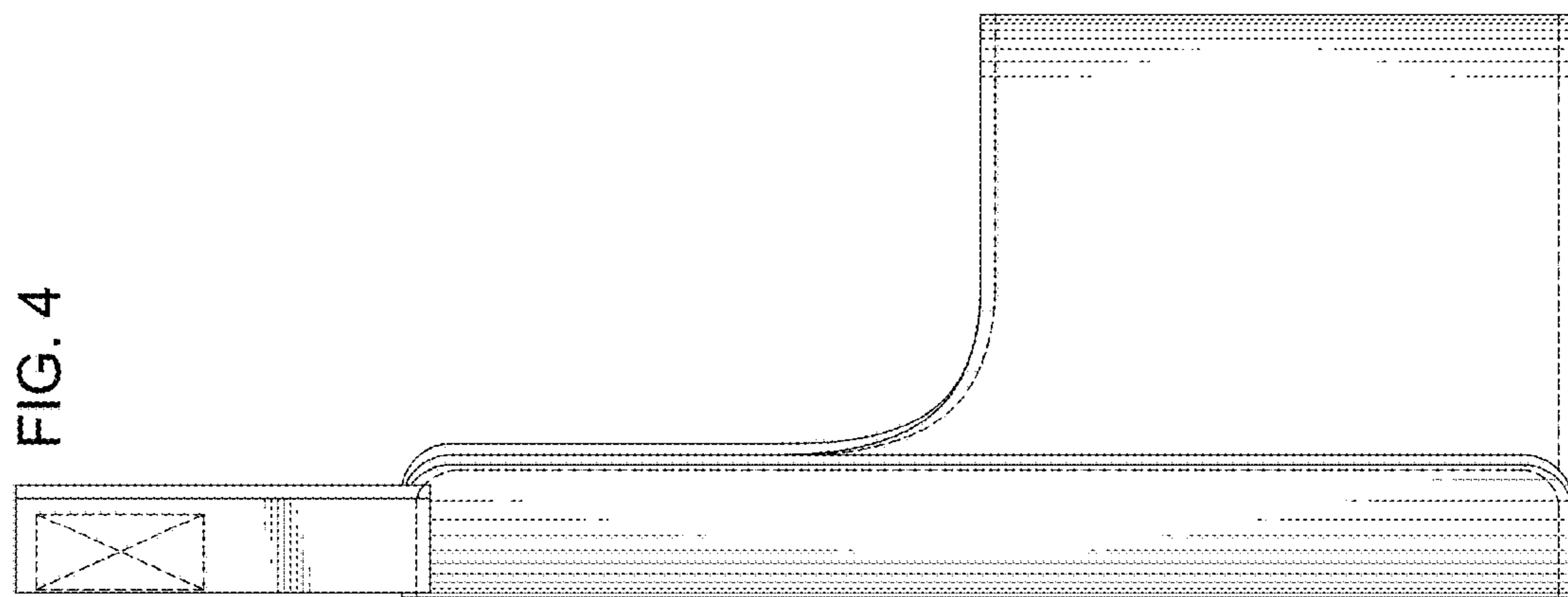


FIG. 4

FIG. 6

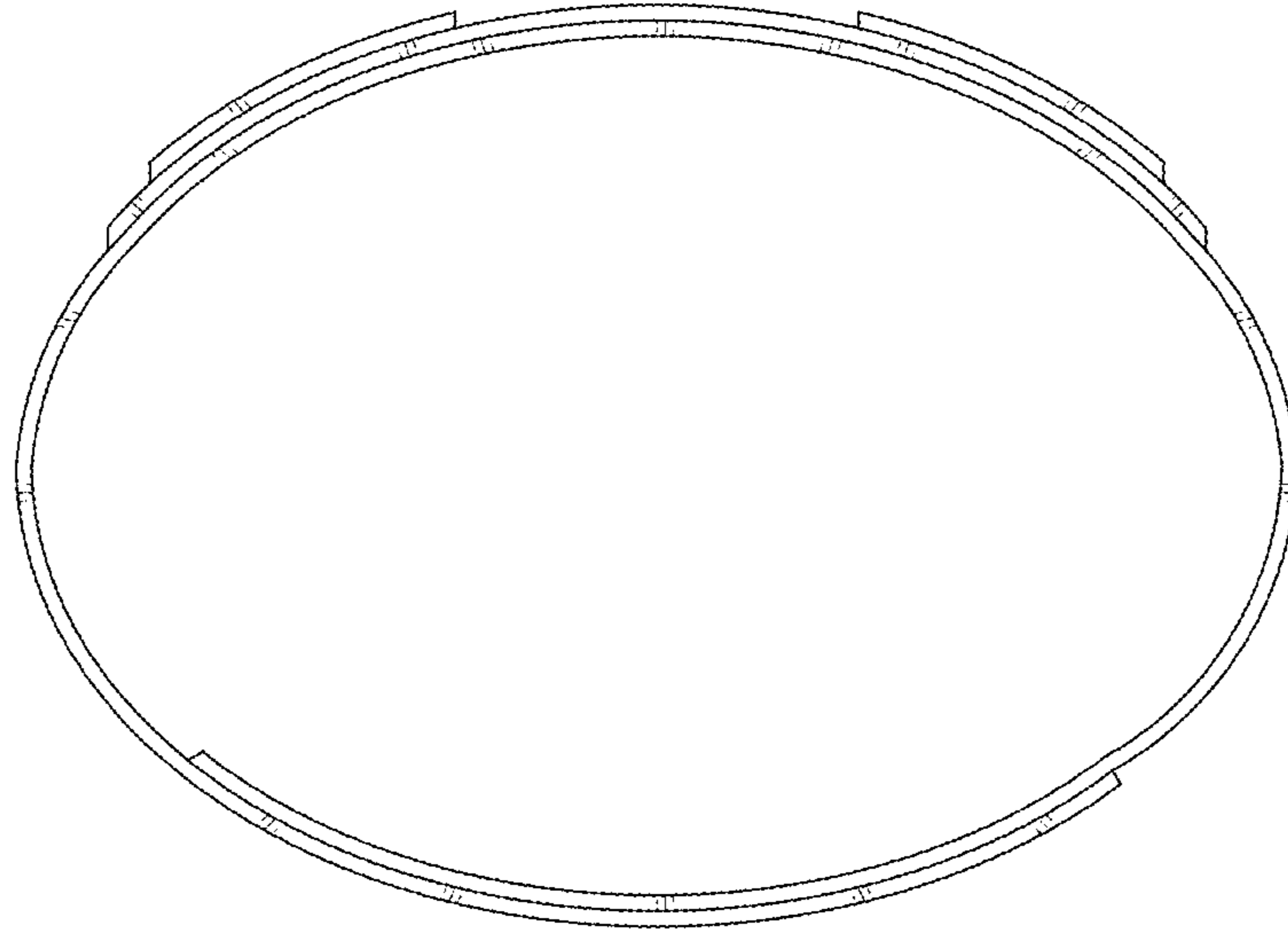
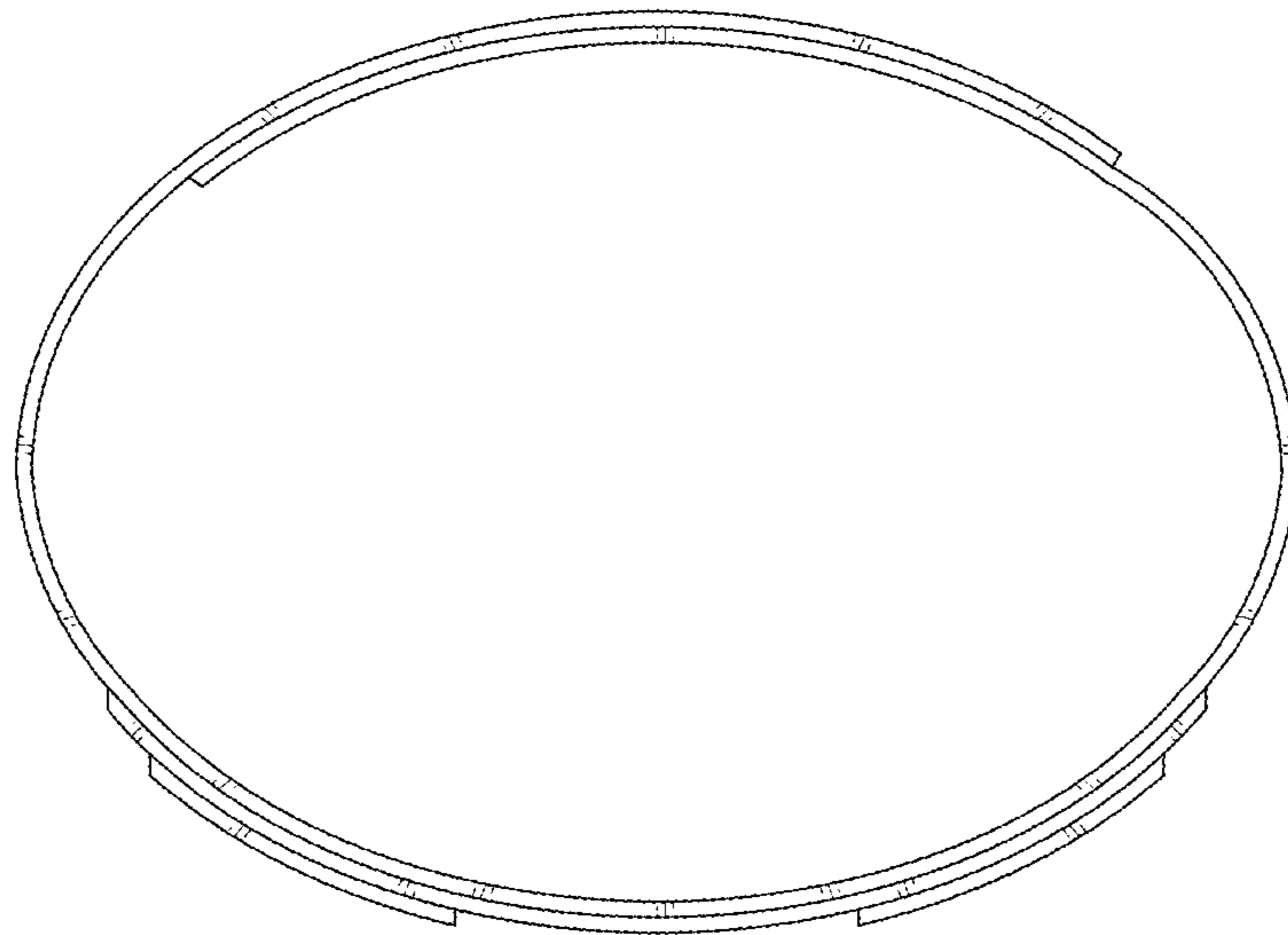


FIG. 7



UNITED STATES PATENT AND TRADEMARK OFFICE
CERTIFICATE OF CORRECTION

PATENT NO. : D820,991 S
APPLICATION NO. : 29/581248
DATED : June 19, 2018
INVENTOR(S) : Nancy Hylton, Brad Shatto and Christie Skoorsmith

Page 1 of 1

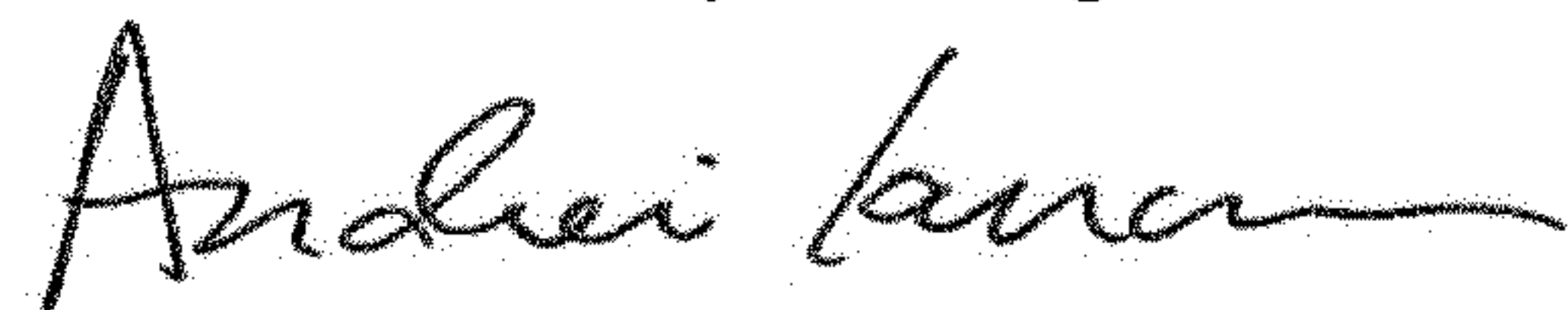
It is certified that error appears in the above-identified patent and that said Letters Patent is hereby corrected as shown below:

On the Title Page

IN THE DESCRIPTION

Column 2, Line 27 In the reference to “Fig. 6”, after the words “wrap for orthotic device”, delete “; and,” and insert --.--.

Signed and Sealed this
Twentieth Day of August, 2019



Andrei Iancu
Director of the United States Patent and Trademark Office