



US00D820990S

(12) **United States Design Patent**  
**Allen et al.**

(10) **Patent No.:** **US D820,990 S**  
(45) **Date of Patent:** **\*\* Jun. 19, 2018**

- (54) **MEDICAL DRESSING**
- (71) Applicant: **Smith & Nephew PLC**, London (GB)
- (72) Inventors: **Julie Allen**, Hull (GB); **Sarah Jenny Collinson**, Hull (GB); **Philip Gowans**, York (GB); **Steven Carl Mehta**, Lincoln (GB); **Derek Nicolini**, Hull (GB)
- (73) Assignee: **SMITH & NEPHEW PLC**, London (GB)
- (\*\*) Term: **15 Years**
- (21) Appl. No.: **29/581,839**
- (22) Filed: **Oct. 21, 2016**

D267,510 S 1/1983 Golub  
 4,564,010 A 1/1986 Coughlan et al.  
 4,587,146 A 5/1986 Anhauser et al.  
 (Continued)

**FOREIGN PATENT DOCUMENTS**

AU 674837 B2 1/1997  
 CN 1212613 A 3/1999  
 (Continued)

**OTHER PUBLICATIONS**

US 7,186,244, 03/2007, Hunt et al. (withdrawn)  
 (Continued)

*Primary Examiner* — George D. Kirschbaum  
*Assistant Examiner* — Jennifer L Watkins  
 (74) *Attorney, Agent, or Firm* — Knobbe, Martens, Olson & Bear LLP

**Related U.S. Application Data**

- (63) Continuation of application No. 14/403,036, filed as application No. PCT/IB2013/001469 on May 22, 2013.
- (51) **LOC (11) Cl.** ..... **24-01**
- (52) **U.S. Cl.**  
USPC ..... **D24/189**
- (58) **Field of Classification Search**  
USPC ..... D24/188–192  
CPC .. A61M 1/0088; A61M 27/00; A61M 1/0031;  
A61M 1/0092; A61M 1/0023  
See application file for complete search history.

(57) **CLAIM**

The ornamental design for a medical dressing, as shown and described.

**DESCRIPTION**

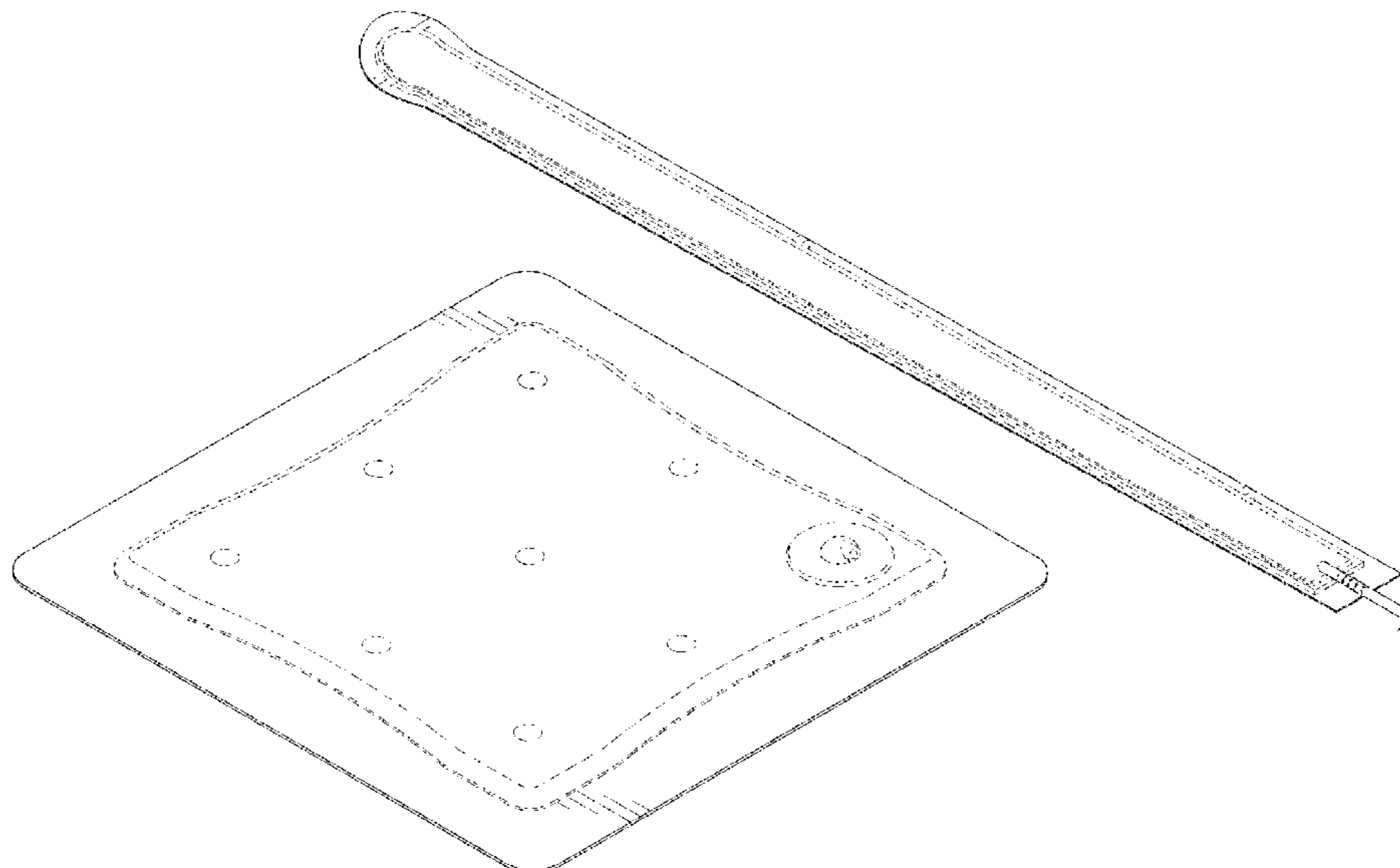
FIG. 1 is a perspective top view of an ornamental design for a medical dressing.  
 FIG. 2 is a top view of the medical dressing of FIG. 1.  
 FIG. 3 is a bottom view of the medical dressing of FIG. 1.  
 FIG. 4 is a right side view of the medical dressing of FIG. 1, the left side being a mirror thereof.  
 FIG. 5 is a rear view of the medical dressing of FIG. 1; and, FIG. 6 is a front view of the medical dressing of FIG. 1.  
 The medical dressing is shown with a symbolic break in its length. The appearance of any portion of the article beyond the break lines forms no part of the claimed design.  
 The broken lines illustrate portions of the medical dressing which form no part of the claimed design.

(56) **References Cited**

**U.S. PATENT DOCUMENTS**

2,613,696 A 10/1952 MacIntyre  
 2,682,873 A 7/1954 Evans et al.  
 3,342,183 A 9/1967 Edenbaum  
 3,568,675 A 3/1971 Harvey  
 3,935,863 A 2/1976 Kliger

**1 Claim, 5 Drawing Sheets**



(56)

## References Cited

## U.S. PATENT DOCUMENTS

4,605,399	A	8/1986	Weston et al.	6,586,653	B2	7/2003	Graeme, III et al.
4,627,429	A	12/1986	Tsuk	6,613,953	B1	9/2003	Altura
D292,826	S	11/1987	Sproles	6,626,891	B2	9/2003	Ohmstede
4,808,172	A	2/1989	Murata	6,648,862	B2	11/2003	Watson
4,846,164	A	7/1989	Martz	6,685,681	B2	2/2004	Lockwood et al.
4,917,112	A	4/1990	Kalt	6,706,940	B2	3/2004	Worthley
4,921,492	A	5/1990	Schultz	6,719,742	B1	4/2004	McCormack et al.
4,969,880	A	11/1990	Zamierowski	6,752,794	B2	6/2004	Lockwood et al.
5,052,381	A	10/1991	Gilbert et al.	6,755,807	B2	6/2004	Risk et al.
5,056,510	A	10/1991	Gilman	6,762,337	B2	7/2004	Boukanov et al.
5,100,396	A	3/1992	Zamierowski	6,764,459	B1	7/2004	Donaldson
5,115,801	A	5/1992	Cartmell et al.	D495,056	S	8/2004	Watanabe
5,160,328	A	11/1992	Cartmell et al.	6,776,769	B2	8/2004	Smith
5,176,663	A	1/1993	Svedman et al.	6,787,682	B2	9/2004	Gilman
5,197,945	A	3/1993	Cole et al.	6,855,135	B2	2/2005	Lockwood et al.
5,261,893	A	11/1993	Zamierowski	6,936,037	B2	8/2005	Bubb et al.
5,266,371	A	11/1993	Sugii et al.	D509,299	S	9/2005	Watanabe
5,336,219	A	8/1994	Krantz	6,951,553	B2	10/2005	Bubb et al.
5,354,261	A	10/1994	Clark et al.	D515,701	S	2/2006	Horhota et al.
D352,782	S	11/1994	Kirk et al.	6,998,511	B2	2/2006	Worthley
5,364,381	A	11/1994	Soga et al.	7,004,915	B2	2/2006	Boynton et al.
5,380,294	A	1/1995	Persson	7,049,478	B1	5/2006	Smith et al.
D357,742	S	4/1995	Peery et al.	7,070,584	B2	7/2006	Johnson et al.
5,437,651	A	8/1995	Todd et al.	7,108,683	B2	9/2006	Zamierowski
D362,505	S	9/1995	Fabricant	7,118,545	B2	10/2006	Boyde
5,447,492	A	9/1995	Cartmell et al.	7,195,624	B2	3/2007	Lockwood et al.
5,456,660	A	10/1995	Reich et al.	7,198,046	B1	4/2007	Argenta
5,480,377	A	1/1996	Cartmell et al.	7,216,651	B2	5/2007	Argenta et al.
5,497,788	A	3/1996	Inman et al.	7,279,612	B1	10/2007	Heaton et al.
D369,907	S	5/1996	Sayovitz et al.	7,294,751	B2	11/2007	Propp et al.
D370,127	S	5/1996	Bonaddio et al.	7,294,752	B1	11/2007	Propp
5,527,293	A	6/1996	Zamierowski	7,316,672	B1	1/2008	Hunt et al.
D372,098	S	7/1996	Lattin et al.	7,338,482	B2	3/2008	Lockwood et al.
5,538,500	A	7/1996	Peterson	D571,922	S	6/2008	Freeland
5,549,584	A	8/1996	Gross	7,381,859	B2	6/2008	Hunt et al.
5,562,107	A	10/1996	Lavender et al.	D572,367	S	7/2008	Freeland
5,579,765	A	12/1996	Cox et al.	D572,824	S	7/2008	Propp
5,599,289	A	2/1997	Castellana	D572,825	S	7/2008	Freeland
5,603,946	A	2/1997	Constantine	7,429,689	B2	9/2008	Chen et al.
5,636,643	A	6/1997	Argenta et al.	7,438,705	B2	10/2008	Karpowicz et al.
5,637,080	A	6/1997	Geng	7,476,205	B2	1/2009	Erdmann
5,645,081	A	7/1997	Argenta et al.	7,485,112	B2	2/2009	Karpowicz et al.
D382,343	S	8/1997	Wandell et al.	7,503,910	B2	3/2009	Adahan
5,662,599	A	9/1997	Reich et al.	7,511,187	B2	3/2009	Kelly
D384,745	S	10/1997	Lattin et al.	7,531,711	B2	5/2009	Sigurjonsson et al.
D385,038	S	10/1997	Shultz	7,534,927	B2	5/2009	Lockwood
5,678,564	A	10/1997	Lawrence et al.	7,563,940	B2	7/2009	Kurata
5,701,917	A	12/1997	Khoury	7,569,742	B2	8/2009	Haggstrom et al.
5,702,356	A	12/1997	Hathman	7,576,256	B2	8/2009	Björnberg et al.
D389,581	S	1/1998	Fein	D600,354	S	9/2009	Sachi
5,704,905	A	1/1998	Jensen et al.	7,605,298	B2	10/2009	Bechert et al.
5,713,384	A	2/1998	Roach et al.	D604,424	S	11/2009	Coubetergues
5,795,584	A	8/1998	Totakura et al.	7,615,036	B2	11/2009	Joshi et al.
5,827,213	A	10/1998	Jensen	7,622,629	B2	11/2009	Aail
5,840,052	A	11/1998	Johns	D605,299	S	12/2009	Iwahashi et al.
5,843,025	A	12/1998	Shaari	7,625,362	B2	12/2009	Boehringer et al.
5,897,541	A	4/1999	Uitenbrock et al.	7,645,269	B2	1/2010	Zamierowski
5,911,222	A	6/1999	Lawrence et al.	D609,922	S	2/2010	Bridges et al.
5,998,694	A	12/1999	Jensen et al.	7,670,323	B2	3/2010	Hunt et al.
6,011,194	A	1/2000	Buglino et al.	7,678,102	B1	3/2010	Heaton
6,040,493	A	3/2000	Cooke et al.	7,686,785	B2	3/2010	Boehringer et al.
D424,699	S	5/2000	Allen	7,722,582	B2	5/2010	Lina et al.
6,071,267	A	6/2000	Zamierowski	7,723,561	B2	5/2010	Propp
6,075,177	A	6/2000	Bahia et al.	D618,810	S	6/2010	Tanigawa et al.
6,124,520	A	9/2000	Roberts	D620,122	S	7/2010	Cotton
6,124,521	A	9/2000	Roberts	D620,123	S	7/2010	Igwebuikie
6,142,982	A	11/2000	Hunt et al.	7,749,531	B2	7/2010	Booher
6,297,423	B1	10/2001	Schoenfeldt et al.	7,759,537	B2	7/2010	Bishop et al.
6,345,623	B1	2/2002	Heaton et al.	7,759,539	B2	7/2010	Shaw et al.
6,362,390	B1	3/2002	Carlucci et al.	7,772,582	B2	8/2010	Lina et al.
6,458,109	B1	10/2002	Henley et al.	7,775,998	B2	8/2010	Riesinger
6,468,295	B2	10/2002	Augustine et al.	7,776,028	B2	8/2010	Miller et al.
6,506,175	B1	1/2003	Goldstein	7,779,625	B2	8/2010	Joshi et al.
6,528,696	B1	3/2003	Ireland	7,794,438	B2	9/2010	Henley et al.
D477,086	S	7/2003	Tsuruda et al.	D625,017	S	10/2010	Iwahashi et al.
				D625,018	S	10/2010	Smith et al.
				D631,166	S	1/2011	Leffew et al.
				7,862,718	B2	1/2011	Doyen et al.
				7,880,050	B2	2/2011	Robinson et al.

(56)

References Cited

U.S. PATENT DOCUMENTS

7,922,703 B2	4/2011	Riesinger	2003/0180341 A1	9/2003	Gooch et al.
7,935,066 B2	5/2011	Shives et al.	2003/0199800 A1	10/2003	Levin
7,959,624 B2	6/2011	Reisinger	2003/0212359 A1	11/2003	Butler
7,964,766 B2	6/2011	Blott et al.	2004/0030304 A1	2/2004	Hunt et al.
7,976,519 B2	7/2011	Bubb et al.	2004/0078011 A1	4/2004	Stevens
7,981,098 B2	7/2011	Boehringer et al.	2004/0106888 A1	6/2004	Lutri et al.
D642,594 S	8/2011	Mattson et al.	2004/0138602 A1	7/2004	Rossen
7,988,673 B2	8/2011	Wright et al.	2004/0162512 A1	8/2004	Liedtke et al.
8,021,347 B2	9/2011	Biggie et al.	2004/0241214 A1	12/2004	Kirkwood et al.
8,080,702 B2	12/2011	Blott et al.	2004/0243042 A1	12/2004	Lipman
8,083,712 B2	12/2011	Biggie et al.	2005/0015036 A1	1/2005	Lutri et al.
8,092,436 B2	1/2012	Christensen	2006/0009744 A1	1/2006	Edrman et al.
8,133,211 B2	3/2012	Cavanaugh, II et al.	2006/0020234 A1	1/2006	Chou et al.
8,147,468 B2	4/2012	Barta et al.	2006/0079852 A1	4/2006	Bubb et al.
8,148,595 B2	4/2012	Robinson et al.	2006/0100586 A1	5/2006	Karpowicz
8,152,785 B2	4/2012	Vitaris	2006/0122548 A1	6/2006	Abrams
8,158,844 B2	4/2012	McNeil	2006/0206047 A1	9/2006	Lampe et al.
8,162,907 B2	4/2012	Heagle	2007/0003604 A1	1/2007	Jones
8,168,848 B2	5/2012	Lockwood et al.	2007/0078467 A1	4/2007	Mullen
8,187,237 B2	5/2012	Seegert	2007/0100308 A1	5/2007	Miyairi
8,188,331 B2	5/2012	Barta et al.	2007/0282236 A1	12/2007	LaGreca
8,192,409 B2	6/2012	Hardman et al.	2008/0058691 A1	3/2008	Sorensen
8,202,261 B2	6/2012	Kazala, Jr. et al.	2008/0167592 A1	7/2008	Greer
8,212,101 B2	7/2012	Propp	2008/0167593 A1	7/2008	Fleishmann
8,241,261 B2	8/2012	Randolph et al.	2008/0195017 A1 *	8/2008	Robinson ..... A61F 13/00068 602/44
8,246,606 B2	8/2012	Stevenson et al.	2008/0271804 A1 *	11/2008	Biggie ..... A61M 1/0088 138/137
8,252,971 B2	8/2012	Aali et al.	2009/0012501 A1	1/2009	Boehringer et al.
8,267,908 B2	9/2012	Coulthard	2009/0054855 A1	2/2009	Blott et al.
8,298,200 B2	10/2012	Vess et al.	2009/0099519 A1 *	4/2009	Kaplan ..... A61F 7/12 604/113
8,314,283 B2	11/2012	Kingsford et al.	2009/0124988 A1	5/2009	Coulthard
8,328,858 B2	12/2012	Barsky et al.	2009/0126103 A1	5/2009	Dietrich et al.
8,361,043 B2	1/2013	Hu et al.	2009/0131892 A1	5/2009	Karpowicz et al.
8,372,049 B2	2/2013	Jaeb et al.	2009/0157016 A1	6/2009	Adahan
8,382,731 B2	2/2013	Johannison	2009/0227935 A1	9/2009	Zanella et al.
8,403,899 B2	3/2013	Sherman	2009/0227968 A1	9/2009	Vess
8,404,921 B2	3/2013	Lee et al.	2009/0227969 A1	9/2009	Jaeb et al.
D679,819 S	4/2013	Peron	2009/0240185 A1	9/2009	Jaeb et al.
D679,820 S	4/2013	Peron	2009/0264837 A1	10/2009	Adahan
8,444,611 B2	5/2013	Wilkes et al.	2009/0281471 A1	11/2009	Iwahashi et al.
8,506,554 B2	8/2013	Adahan	2009/0293887 A1	12/2009	Wilkes et al.
8,535,296 B2	9/2013	Blott et al.	2009/0299249 A1	12/2009	Wilkes et al.
8,540,699 B2	9/2013	Miller et al.	2009/0299251 A1	12/2009	Buan
8,545,466 B2	10/2013	Andresen et al.	2009/0299255 A1	12/2009	Kazala, Jr. et al.
D705,428 S	5/2014	Cheney et al.	2009/0299257 A1	12/2009	Long et al.
D705,429 S	5/2014	Cheney et al.	2009/0299303 A1	12/2009	Seegert
8,715,256 B2	5/2014	Greener	2009/0299308 A1	12/2009	Kazala et al.
8,764,732 B2	7/2014	Hartwell	2009/0299340 A1	12/2009	Kazala et al.
8,791,316 B2	7/2014	Greener	2009/0299341 A1	12/2009	Kazala et al.
8,795,247 B2	8/2014	Bennett et al.	2009/0312728 A1	12/2009	Randolph et al.
8,801,685 B2	8/2014	Armstrong et al.	2010/0036334 A1	2/2010	Heagle et al.
8,808,274 B2	8/2014	Hartwell	2010/0055158 A1	3/2010	Vitaris et al.
8,814,842 B2	8/2014	Coulthard et al.	2010/0069850 A1	3/2010	Fabo
D713,967 S	9/2014	Adoni	2010/0069858 A1	3/2010	Olson
D714,433 S	9/2014	Armstrong et al.	2010/0069863 A1	3/2010	Olson
8,864,748 B2	10/2014	Coulthard et al.	2010/0069885 A1	3/2010	Stevenson et al.
8,905,985 B2	12/2014	Allen et al.	2010/0084074 A1	4/2010	McClernon et al.
8,951,235 B2	2/2015	Allen et al.	2010/0106120 A1	4/2010	Holm
9,033,942 B2	5/2015	Vess	2010/0106121 A1	4/2010	Holm
9,050,398 B2	6/2015	Armstrong et al.	2010/0121286 A1	5/2010	Locke et al.
9,061,095 B2	6/2015	Adie et al.	2010/0122417 A1	5/2010	Vrzalik et al.
D746,435 S	12/2015	Armstrong et al.	2010/0125234 A1	5/2010	Smith
9,220,822 B2	12/2015	Hartwell	2010/0125258 A1	5/2010	Coulthard et al.
RE45,864 E	1/2016	Peron	2010/0160901 A1	6/2010	Hu et al.
D750,789 S *	3/2016	Mackay ..... D24/189	2010/0210986 A1	8/2010	Sanders
D755,980 S *	5/2016	Jakobsen ..... D24/189	2010/0217177 A1	8/2010	Cali et al.
RE46,289 E	1/2017	Peron	2010/0262091 A1	10/2010	Larsson
D790,071 S *	6/2017	Ahsani ..... D24/189	2010/0268198 A1	10/2010	Buan et al.
2001/0051178 A1	12/2001	Blatchford et al.	2010/0305490 A1	12/2010	Coulthard et al.
2002/0019602 A1	2/2002	Geng	2010/0305526 A1	12/2010	Robinson et al.
2002/0110672 A1	8/2002	Muratore-Pallatino et al.	2010/0318052 A1	12/2010	Ha et al.
2002/0169405 A1	11/2002	Roberts	2010/0324510 A1 *	12/2010	Andresen ..... A61M 1/0088 604/319
2003/0009122 A1	1/2003	Veras	2010/0324516 A1	12/2010	Braga et al.
2003/0045825 A1	3/2003	Etheredge, III	2011/0004172 A1	1/2011	Eckstein et al.
2003/0069563 A1	4/2003	Johnson	2011/0022013 A1	1/2011	Boynton et al.
2003/0114818 A1	6/2003	Benecke et al.	2011/0052664 A1	3/2011	Tennican et al.

(56)

References Cited

U.S. PATENT DOCUMENTS

2011/0054423 A1 3/2011 Blott et al.  
 2011/0092927 A1 4/2011 Wilkes et al.  
 2011/0098621 A1 4/2011 Fabo et al.  
 2011/0106030 A1 5/2011 Scholz  
 2011/0112492 A1 5/2011 Bharti et al.  
 2011/0130712 A1 6/2011 Topaz  
 2011/0137222 A1 6/2011 Masini  
 2011/0178375 A1 7/2011 Forster  
 2011/0218509 A1 9/2011 Dontas  
 2011/0230849 A1\* 9/2011 Coulthard ..... A61M 1/0088  
 604/319  
 2011/0245788 A1 10/2011 Marquez Canada  
 2011/0247636 A1 10/2011 Pollack  
 2011/0282309 A1\* 11/2011 Adie ..... A61M 1/0088  
 604/319  
 2012/0065664 A1 3/2012 Avitable et al.  
 2012/0095426 A1 4/2012 Visscher et al.  
 2012/0101465 A1 4/2012 Mcguire, Jr.  
 2012/0123311 A1 5/2012 Weidemann-Hendrickson et al.  
 2012/0165764 A1\* 6/2012 Allen ..... A61M 1/0031  
 604/319  
 2012/0172778 A1 7/2012 Rastegar et al.  
 2012/0203145 A1 8/2012 Nilsson  
 2012/0203189 A1 8/2012 Barta et al.  
 2012/0232502 A1 9/2012 Lowing  
 2012/0238932 A1 9/2012 Atteia et al.  
 2012/0302976 A1 11/2012 Locke et al.  
 2013/0030395 A1 1/2013 Croizat et al.  
 2014/0121615 A1 5/2014 Locke et al.  
 2014/0194835 A1 7/2014 Ehlert  
 2014/0343520 A1 11/2014 Bennett et al.  
 2015/0141941 A1 5/2015 Allen et al.  
 2015/0174304 A1 6/2015 Askem et al.  
 2015/0190288 A1\* 7/2015 Dunn ..... A61F 13/00068  
 604/319  
 2016/0144084 A1 5/2016 Collinson et al.

FOREIGN PATENT DOCUMENTS

CN 1874806 A 12/2006  
 CN 101600464 12/2009  
 DE 90 17 289 4/1992  
 DE 198 44 355 4/2000  
 EP 0 541 251 5/1993  
 EP 0 619 105 A1 10/1994  
 EP 0 392 640 6/1995  
 EP 0 441 418 7/1995  
 EP 0 465 601 B1 1/1997  
 EP 0 751 757 1/1997  
 EP 0 777 504 B1 10/1998  
 EP 0 941 726 9/1999  
 EP 1 018 967 7/2000  
 EP 0 865 304 B1 7/2001  
 EP 0 853 950 B1 10/2002  
 EP 0 708 620 5/2003  
 EP 1 088 569 B1 8/2003  
 EP 0 993 317 9/2003  
 EP 1 440 667 7/2004  
 EP 1 448 261 8/2004  
 EP 1 452 156 9/2004  
 EP 1 100 574 2/2005  
 EP 0 688 189 6/2005  
 EP 1 284 777 4/2006  
 EP 0 982 015 8/2006  
 EP 0 620 720 B1 11/2006  
 EP 1 171 065 3/2007  
 EP 1 227 853 1/2008  
 EP 1 476 217 3/2008  
 EP 1 233 808 7/2008  
 EP 1 977 776 10/2008  
 EP 2 098 257 A1 9/2009  
 EP 1 513 478 12/2009  
 EP 2 127 690 12/2009  
 EP 1 905 465 1/2010

EP 2 127 690 3/2010  
 EP 2 161 011 3/2010  
 EP 2 172 164 4/2010  
 EP 2 319 550 5/2011  
 EP 2 335 749 A1 6/2011  
 EP 1 578 477 9/2011  
 EP 2 366 721 9/2011  
 EP 1 487 389 10/2011  
 EP 1 169 071 2/2012  
 EP 2 529 766 12/2012  
 EP 2 413 858 1/2013  
 EP 2 545 946 3/2013  
 EP 2 659 915 11/2013  
 EP 2 628 500 5/2014  
 EP 1 339 366 6/2014  
 EP 2 051 675 6/2014  
 GB 2 099 306 12/1982  
 GB 2 307 180 6/2000  
 GB 2 336 546 6/2000  
 GB 2 344 531 7/2000  
 GB 2 435 422 8/2007  
 WO WO 94/23677 10/1994  
 WO WO 95/04511 2/1995  
 WO WO 95/14451 6/1995  
 WO WO 96/21410 7/1996  
 WO WO 97/11658 4/1997  
 WO WO 99/01173 1/1999  
 WO WO 99/39671 8/1999  
 WO WO 00/07653 2/2000  
 WO WO 00/42957 7/2000  
 WO WO 01/85248 11/2001  
 WO WO 02/17840 3/2002  
 WO WO 02/26180 4/2002  
 WO WO 02/38096 5/2002  
 WO WO 02/076379 10/2002  
 WO WO 03/057070 7/2003  
 WO WO 03/086232 10/2003  
 WO WO 04/073566 9/2004  
 WO WO 05/016179 2/2005  
 WO WO 05/061025 7/2005  
 WO WO 06/052338 5/2006  
 WO WO 06/052745 5/2006  
 WO WO 07/006306 1/2007  
 WO WO 07/013049 2/2007  
 WO WO 07/013064 2/2007  
 WO WO 07/016590 2/2007  
 WO WO 07/019038 2/2007  
 WO WO 07/085396 8/2007  
 WO WO 07/092397 8/2007  
 WO WO 07/095180 8/2007  
 WO WO 07/106590 9/2007  
 WO WO 07/106591 9/2007  
 WO WO 08/008032 1/2008  
 WO WO 08/012278 1/2008  
 WO WO 08/027449 3/2008  
 WO WO 08/043067 4/2008  
 WO WO 08/049277 5/2008  
 WO WO 08/100437 8/2008  
 WO WO 08/100440 8/2008  
 WO WO 08/100446 8/2008  
 WO WO 08/131895 11/2008  
 WO WO 08/135997 11/2008  
 WO WO 08/141470 11/2008  
 WO WO 09/002260 12/2008  
 WO WO 09/019227 2/2009  
 WO WO 09/019229 2/2009  
 WO WO 09/146441 3/2009  
 WO WO 09/068665 6/2009  
 WO WO 09/086580 7/2009  
 WO WO 09/088925 7/2009  
 WO WO 09/103031 8/2009  
 WO WO 09/111655 9/2009  
 WO WO 09/111657 9/2009  
 WO WO 09/137194 11/2009  
 WO WO 09/140376 11/2009  
 WO WO 09/145894 12/2009  
 WO WO 09/158125 12/2009  
 WO WO 09/158126 12/2009  
 WO WO 09/158127 12/2009

(56)

References Cited

FOREIGN PATENT DOCUMENTS

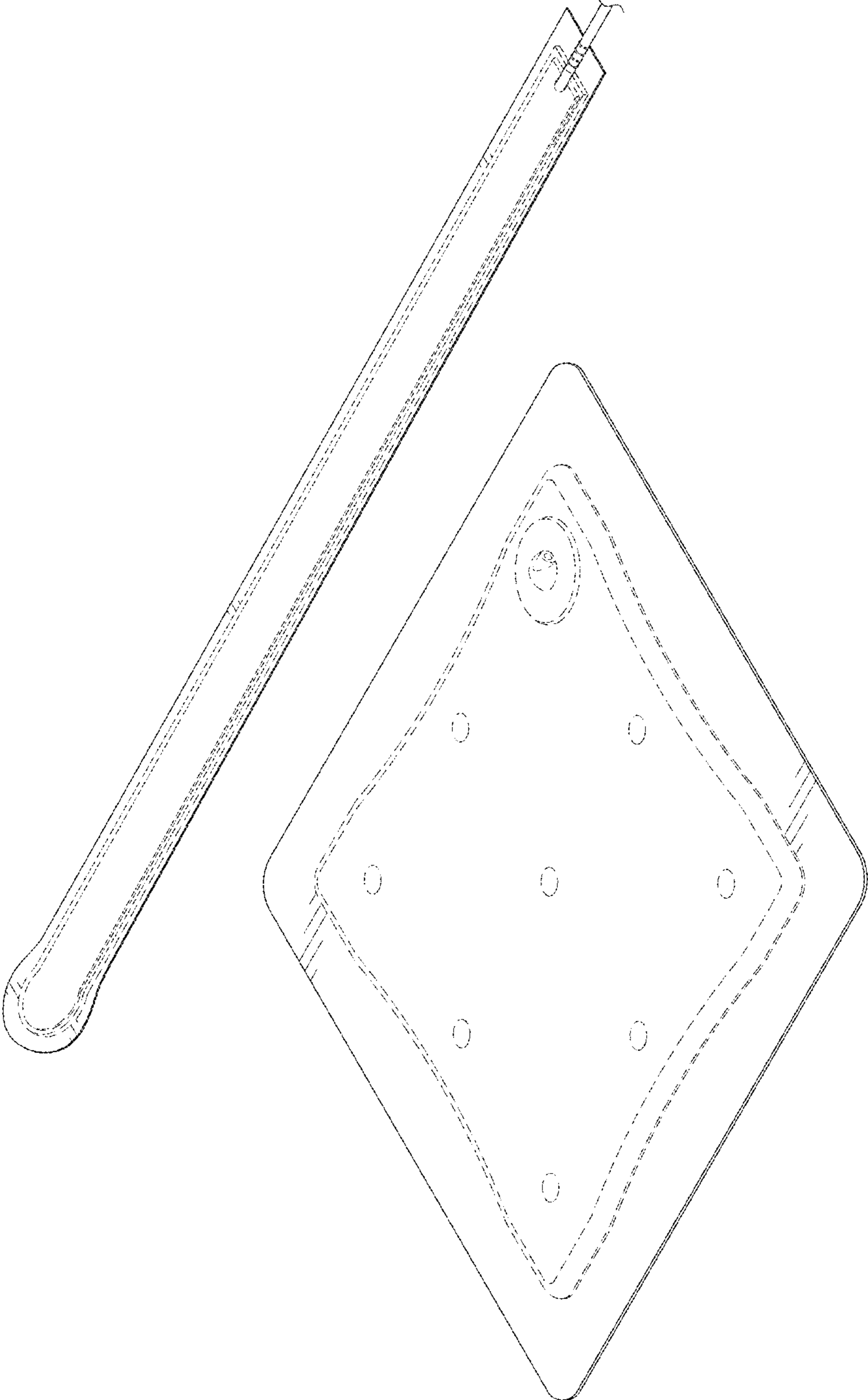
WO	WO 09/158129	12/2009
WO	WO 10/014177	2/2010
WO	WO 10/033271	3/2010
WO	WO 10/033272	3/2010
WO	WO 10/033574	3/2010
WO	WO 10/033769	3/2010
WO	WO 10/035017	4/2010
WO	WO 10/051073	5/2010
WO	WO 10/059712	5/2010
WO	WO 10/059730	5/2010
WO	WO 10/072395	7/2010
WO	WO 10/078166	7/2010
WO	WO 10/082872	7/2010
WO	WO 10/089448	8/2010
WO	WO 10/139926	12/2010
WO	WO 10/147533	12/2010
WO	WO 10/147592	12/2010
WO	WO 11/019476	2/2011
WO	WO 11/023275	3/2011
WO	WO 11/023650	3/2011
WO	WO 11/049562	4/2011
WO	WO 11/087871	7/2011
WO	WO 11/100851	8/2011
WO	WO 11/115908	9/2011
WO	WO 11/128651	10/2011
WO	WO 11/135285	11/2011
WO	WO 12/009370	1/2012
WO	WO 12/074512	6/2012
WO	WO 12/142002	10/2012
WO	WO 12/146656	11/2012
WO	WO 12/150235	11/2012

WO	WO 12/166428	12/2012
WO	WO 13/016239	1/2013
WO	WO 13/019438	2/2013
WO	WO 13/043972	3/2013
WO	WO 13/123005	8/2013
WO	WO 14/043238	9/2014
WO	WO 14/158526	10/2014

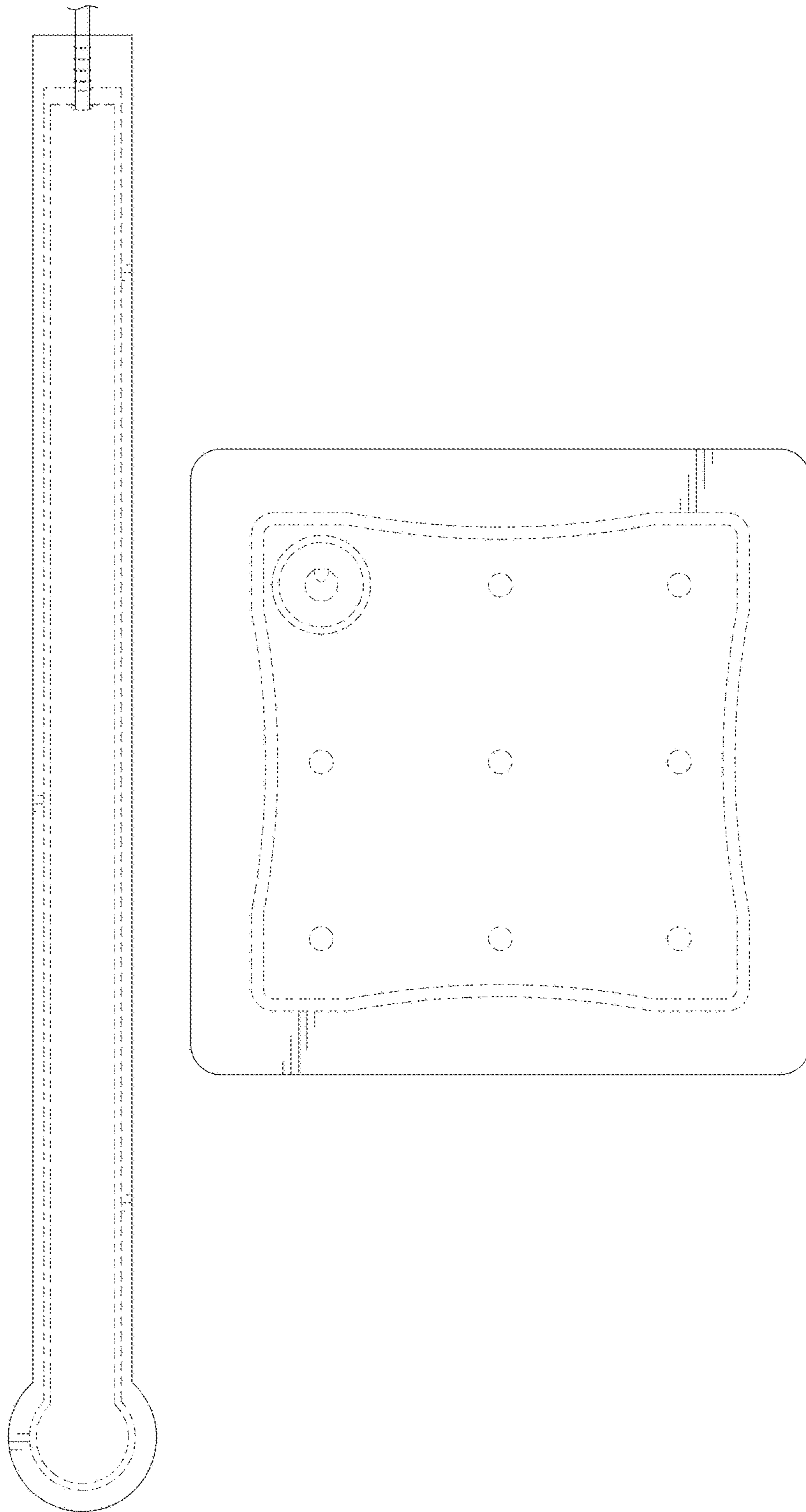
OTHER PUBLICATIONS

- Allevyn Educational Booklet, Smith & Nephew Medical Ltd, Apr. 2014.
- Allevyn Wound Dressings Pamphlet, Smith & Nephew, Inc., 2008.
- International Search Report and Written Opinion for International Application No. PCT/IB2013/001469, dated Feb. 7, 2014.
- KCI Licensing, Prevena™ Incision Management System, Jan. 2010.
- KCI Licensing, Prevena™ Incision Management System Patient Guide, Jan. 2010.
- KCI, Prevena™ Incision Management System Clinician Guide, Jan. 2010.
- Smith & Nephew, "PICO Simplified Negative Pressure Wound Therapy", sales brochure in 2 pages, Jul. 2011, Australia and New Zealand.
- Design U.S. Appl. No. 29/551,890.
- Design U.S. Appl. No. 29/548,270.
- Teder et al., "Continuous Wound Irrigation in the Pig," Journal of Investigative Surgery, vol. 3, 1990, pp. 399-407.
- European Extended Search Report, re EPO Application No. 09839009.9, dated Feb. 23, 2016.
- International Invitation to Pay and Partial Search Report re PCT/IB2013/001469, dated Nov. 25, 2013.

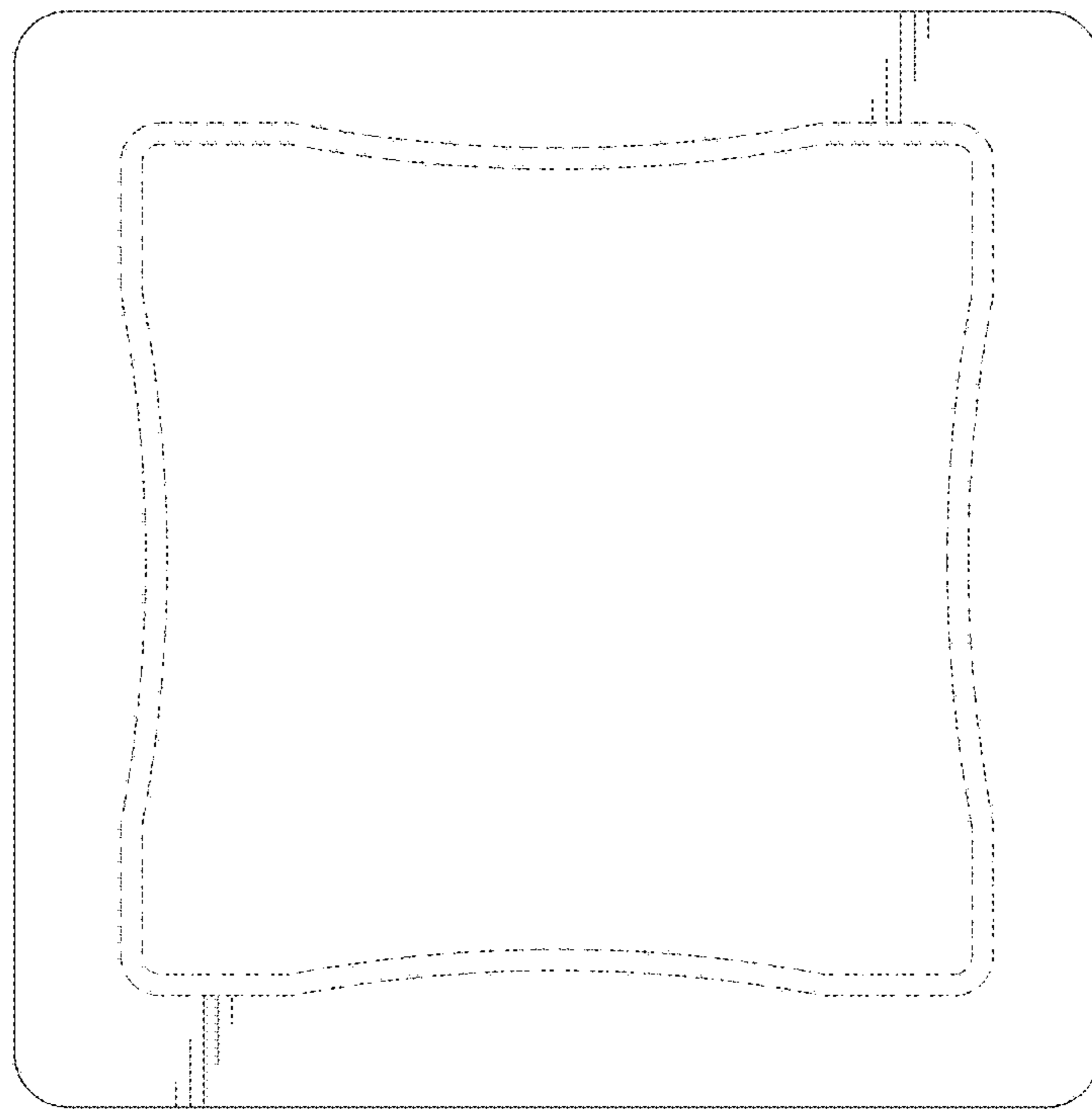
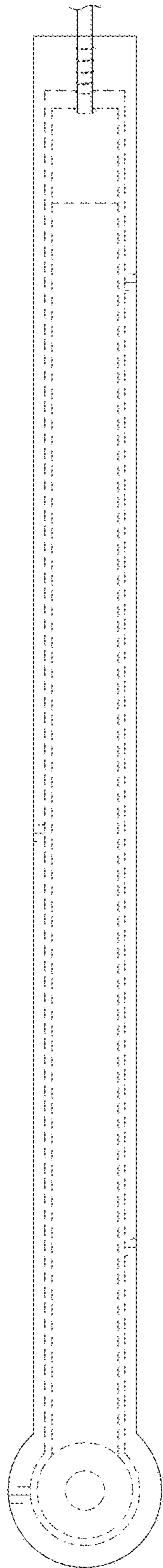
\* cited by examiner



*FIG. 1*



*FIG. 2*



*FIG. 3*





*FIG. 4*

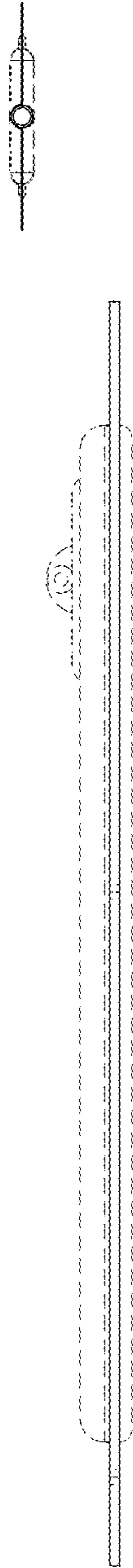


FIG. 5

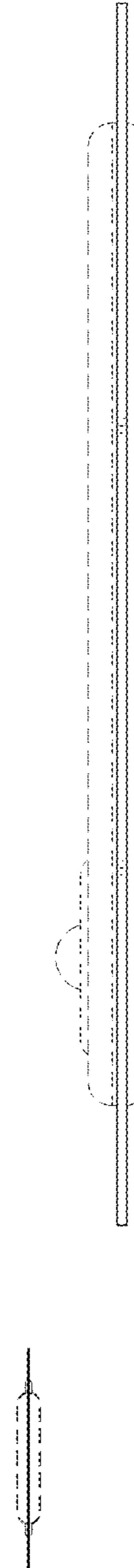


FIG. 6