



US00D820988S

(12) **United States Design Patent** (10) **Patent No.:** **US D820,988 S**  
**Pushpala et al.** (45) **Date of Patent:** **\*\* Jun. 19, 2018**

- (54) **BIOMONITORING SENSOR SYSTEM FOR MONITORING BODY CHEMISTRY**
- (71) Applicant: **Sano Intelligence, Inc.**, San Francisco, CA (US)
- (72) Inventors: **Ashwin Pushpala**, San Francisco, CA (US); **Dominic Pitera**, San Francisco, CA (US); **Michael Gifford**, San Francisco, CA (US); **Matthew Chapman**, San Francisco, CA (US)
- (73) Assignee: **Sano Intelligence, Inc.**, San Francisco, CA (US)
- (\*\*) Term: **15 Years**
- (21) Appl. No.: **29/591,600**
- (22) Filed: **Jan. 20, 2017**
- (51) **LOC (11) Cl.** ..... **24-01**
- (52) **U.S. Cl.**  
 USPC ..... **D24/169**; D10/81
- (58) **Field of Classification Search**  
 USPC ..... D10/81; D24/167, 168, 169, 186  
 CPC ..... A61B 5/14532; G01N 33/48778; G01N 2035/00306; Y10T 436/11; Y10T 436/110833; Y10T 436/111666; Y10T 436/112499; Y10T 436/104998  
 See application file for complete search history.

- (56) **References Cited**
- U.S. PATENT DOCUMENTS
- D607,347 S \* 1/2010 Goh ..... D10/46  
 D758,589 S \* 6/2016 Meguro ..... D24/169  
 D775,987 S \* 1/2017 Sheridan ..... D10/81  
 D780,928 S \* 3/2017 Hayakawa ..... D24/169

- FOREIGN PATENT DOCUMENTS
- JP 4112499 7/2008  
 JP 4373604 11/2009  
 JP 4439733 3/2010

JP	4574847	11/2010
JP	4905906	3/2012
JP	5021115	9/2012
JP	5591715	9/2014
JP	5640110	12/2014
JP	2015505251	2/2015
JP	5680960	3/2015
JP	5749751	7/2015
JP	5795584	10/2015

(Continued)

*Primary Examiner* — Antoine Duval Davis  
 (74) *Attorney, Agent, or Firm* — Jeffrey Schox

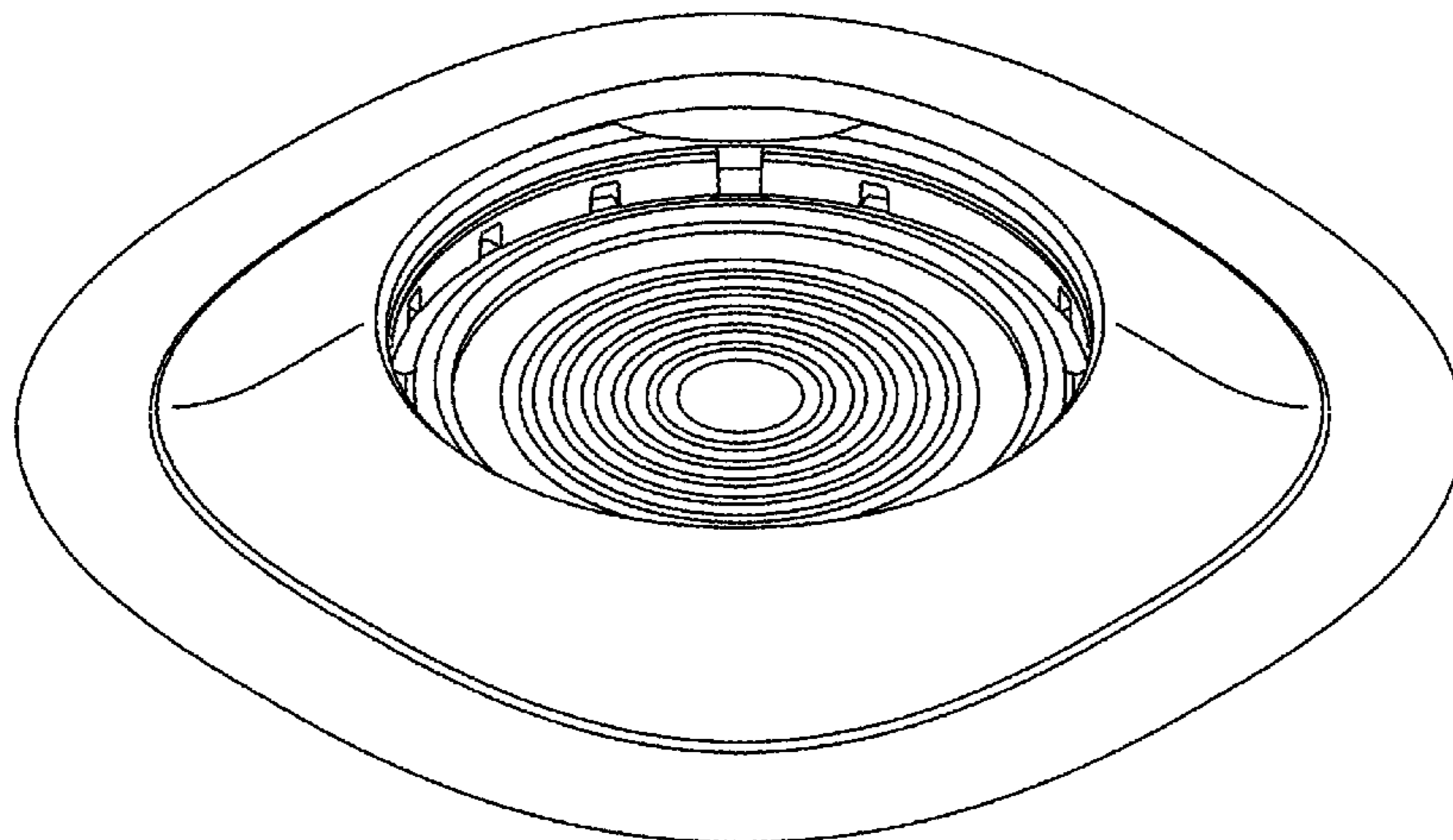
(57) **CLAIM**

We claim the ornamental design for a biomonitoring sensor system for monitoring body chemistry, as shown and described.

**DESCRIPTION**

FIG. 1 is an isometric view, from the top right, of the biomonitoring sensor system.  
 FIG. 2 is an isometric view, from the bottom left, of the biomonitoring sensor system.  
 FIG. 3 is a plan view of the top of the biomonitoring sensor system.  
 FIG. 4 is an elevation view of the right side of the biomonitoring sensor system.  
 FIG. 5 is an elevation of the front of the biomonitoring sensor system.  
 FIG. 6 is a plan view of the bottom of the biomonitoring sensor system.  
 FIG. 7 is an elevation view of the back of the biomonitoring sensor system; and,  
 FIG. 8 is an elevation of the left side of the biomonitoring sensor system.  
 Any broken lines are understood to be for illustrative purposes only and form no part of the claimed design.

**1 Claim, 3 Drawing Sheets**



(56)

**References Cited**

FOREIGN PATENT DOCUMENTS

JP	2016508763	3/2016
JP	2016517601	6/2016
JP	2016518881	6/2016
WO	025549	3/2011

\* cited by examiner

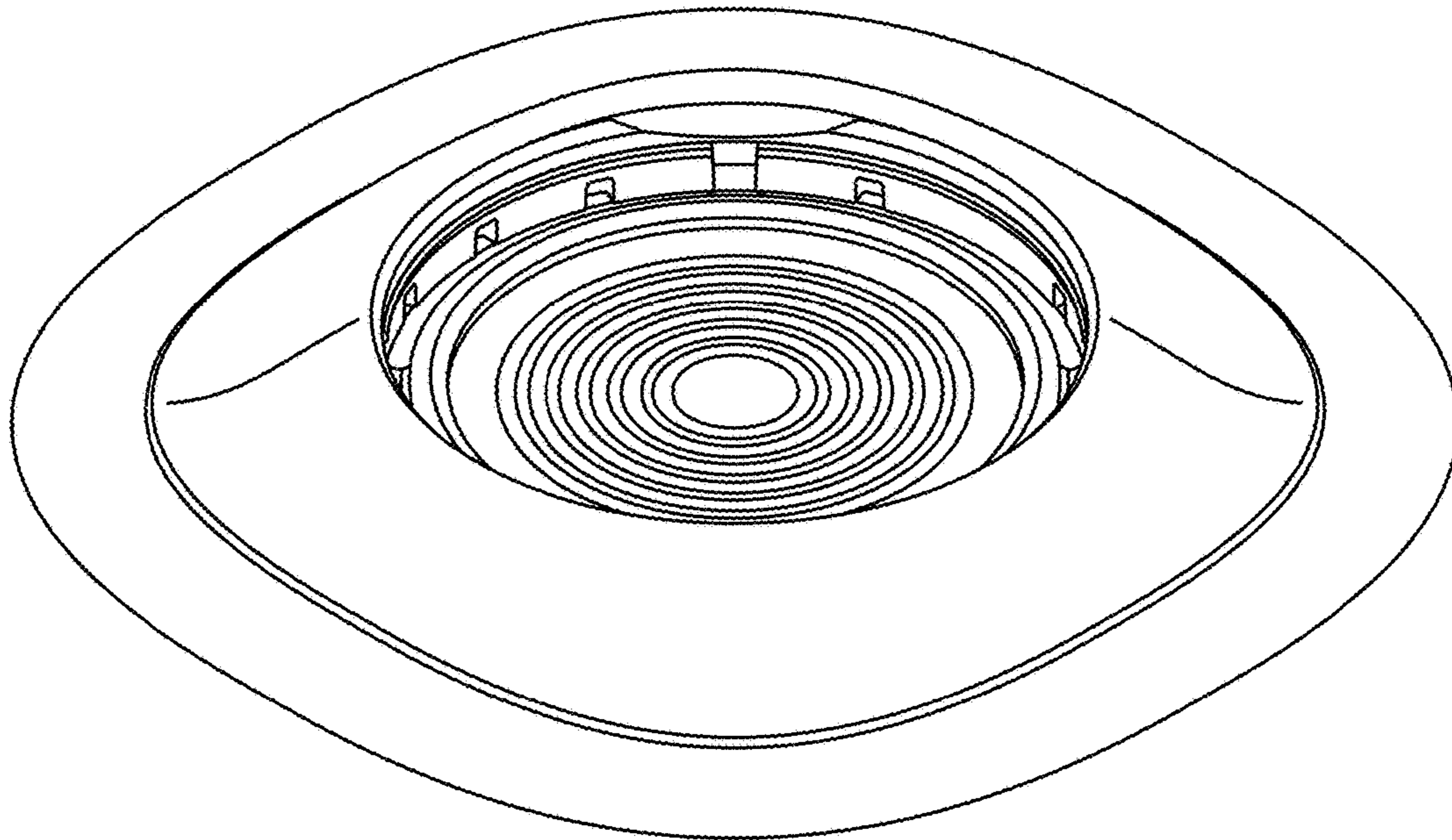


FIG. 1

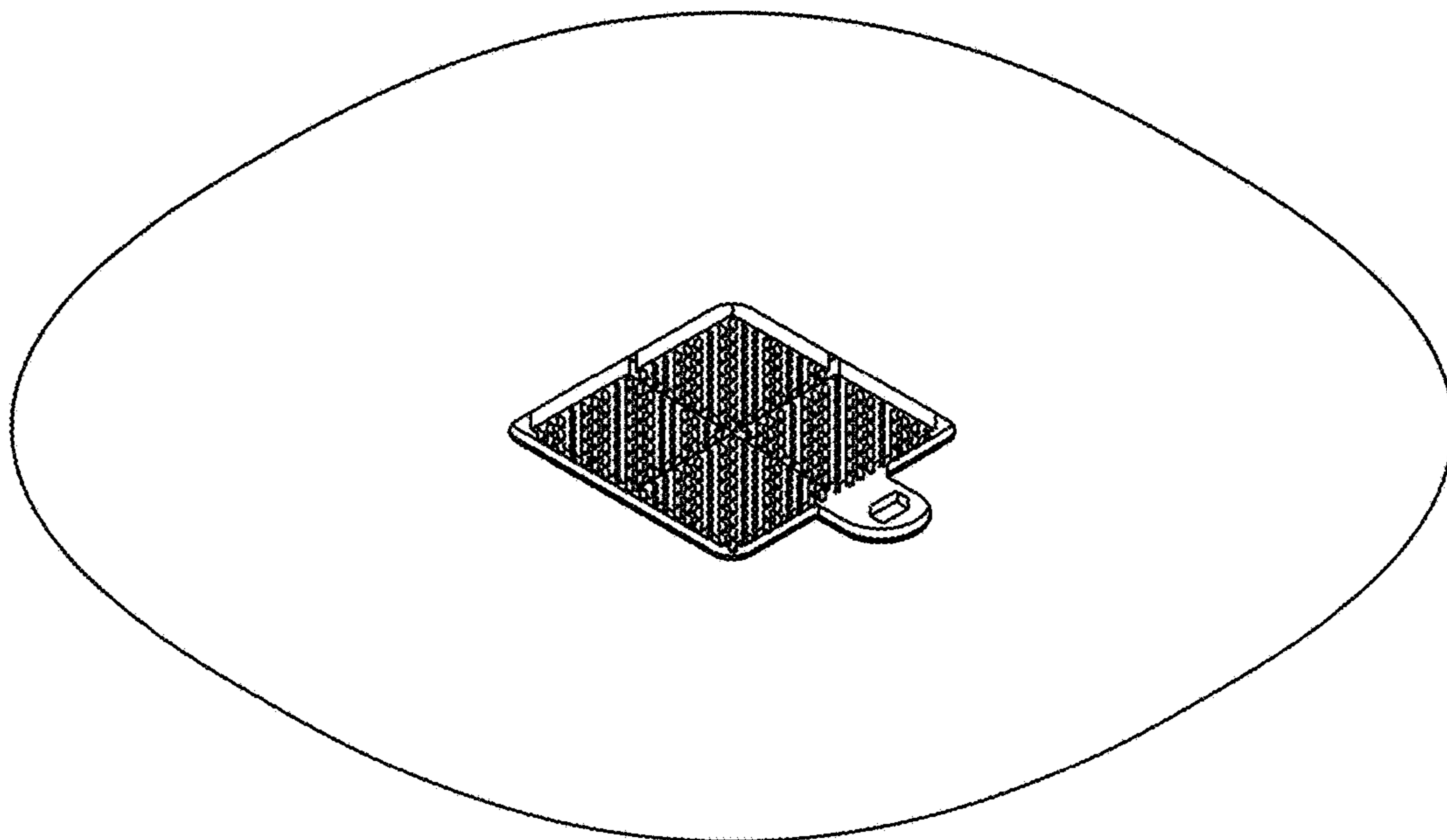


FIG. 2

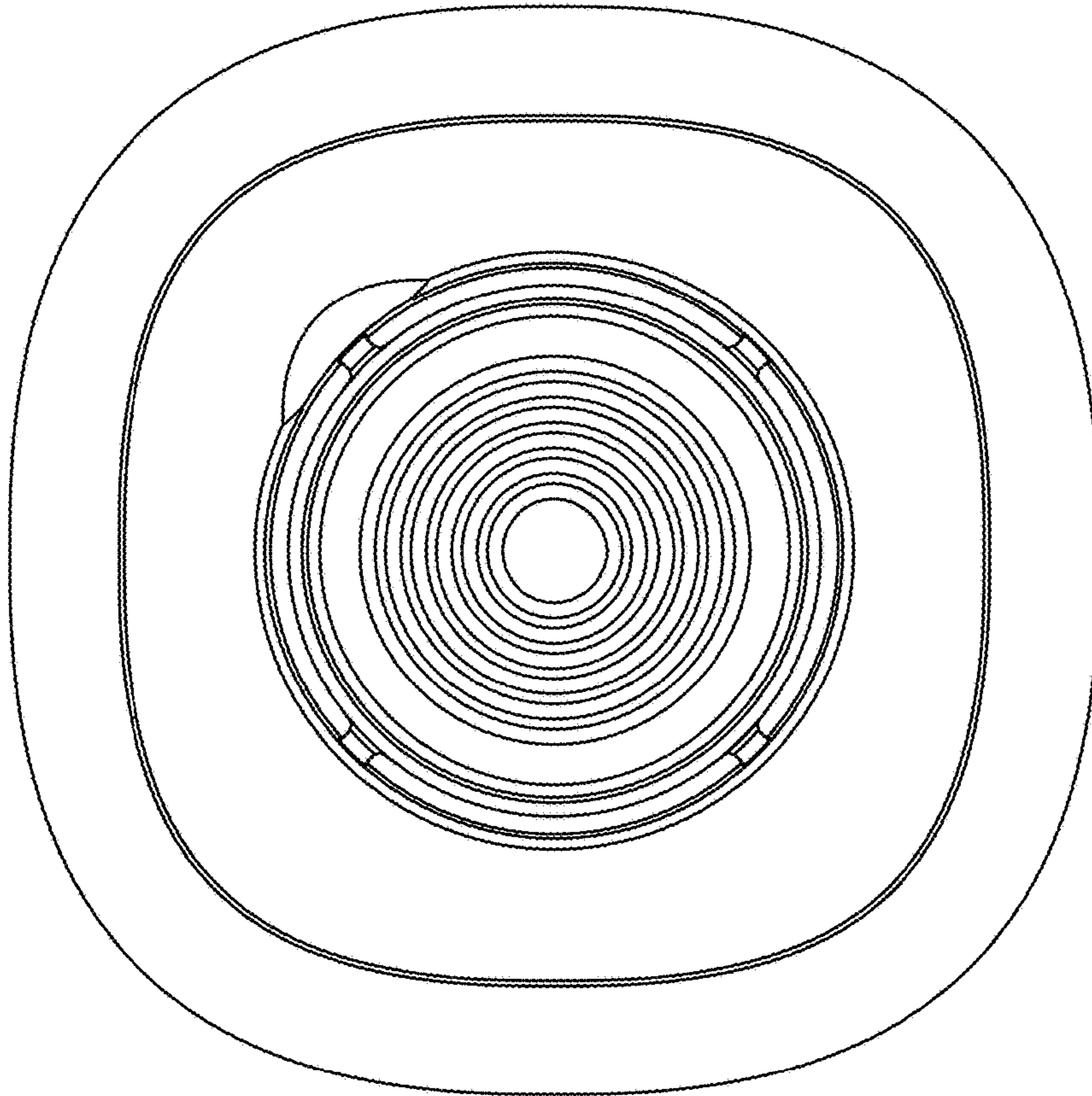


FIG. 3

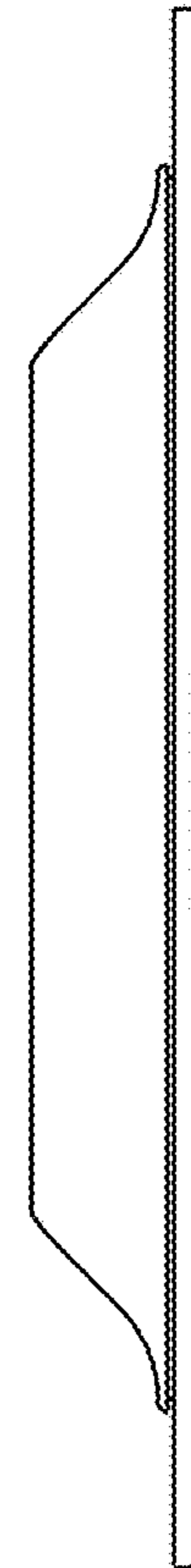


FIG. 4



FIG. 5

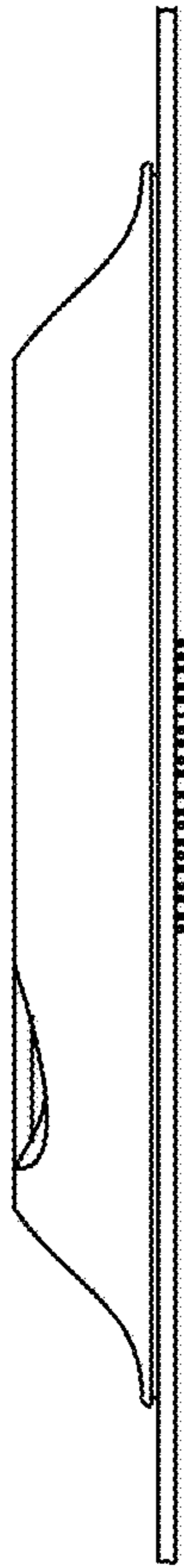


FIG. 8

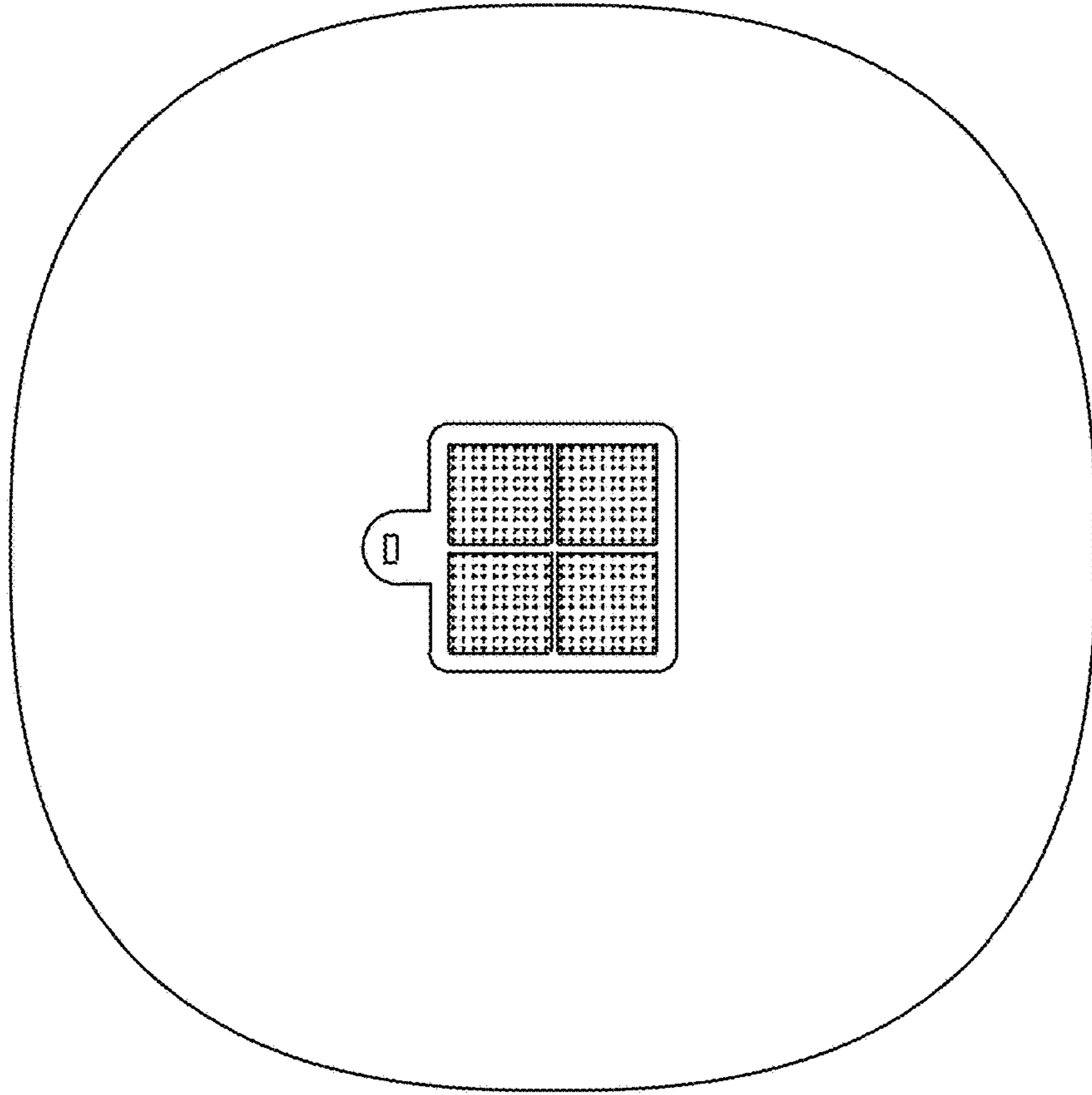


FIG. 6

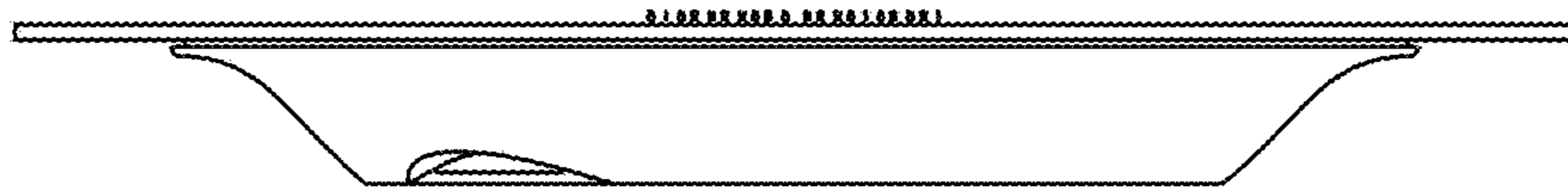


FIG. 7