



US00D820986S

(12) **United States Design Patent**  
**Patil et al.**

(10) **Patent No.:** **US D820,986 S**  
(45) **Date of Patent:** **\*\* Jun. 19, 2018**

(54) **INTEGRATION MANAGEMENT SYSTEM FOR PATIENT TABLE**

(74) *Attorney, Agent, or Firm* — McCoy Russell LLP

(71) Applicant: **General Electric Company**,  
Schenectady, NY (US)

(57) **CLAIM**

The ornamental design for an integration management system for patient table, as shown and described.

(72) Inventors: **Mahendra Madhukar Patil**, Bangalore (IN); **Narasimha Murthy Vinay**, Bangalore (IN); **Satish Kumar Coimbatore Renukanandhan**, Bangalore (IN); **Paul Vincent Margot**, Buc (FR); **Romain Chatelin**, Buc (FR); **Jean-Michel Marteau**, Buc (FR); **Mylene Roussel**, Buc (FR)

**DESCRIPTION**

(73) Assignee: **General Electric Company**,  
Schenectady, NY (US)

FIG. 1 is a front perspective view of a design for an integration management system for patient table according to the present invention with an upper table compartment according to the present invention.

(\*\*) Term: **15 Years**

FIG. 2 is a back perspective view of the integration management system for patient table of FIG. 1.

(21) Appl. No.: **29/600,185**

FIG. 3 is a top view of the integration management system for patient table of FIG. 1.

(22) Filed: **Apr. 10, 2017**

FIG. 4 is a right side view of the integration management system for patient table of FIG. 1.

**Related U.S. Application Data**

(62) Division of application No. 29/531,467, filed on Jun. 25, 2015, now Pat. No. Des. 787,071.

FIG. 5 is a left side view of the integration management system for patient table of FIG. 1.

(51) **LOC (11) Cl.** ..... **24-01**

(52) **U.S. Cl.**  
USPC ..... **D24/158**

FIG. 6 is a back view of the integration management system for patient table of FIG. 1.

(58) **Field of Classification Search**  
USPC ..... D24/158–161, 185, 186, 107, 183, 184,  
D24/177, 234; D6/655, 663, 664  
(Continued)

FIG. 7 is a front view of the integration management system for patient table of FIG. 1.

(56) **References Cited**

**U.S. PATENT DOCUMENTS**

4,392,486 A 7/1983 Gardineer et al.  
4,663,621 A 5/1987 Field et al.  
(Continued)

FIG. 8 is a bottom view of the integration management system for patient table of FIG. 1.

FIG. 9 is a front perspective view of the integration management system for patient table of FIG. 1 with the upper table compartment in a first open configuration.

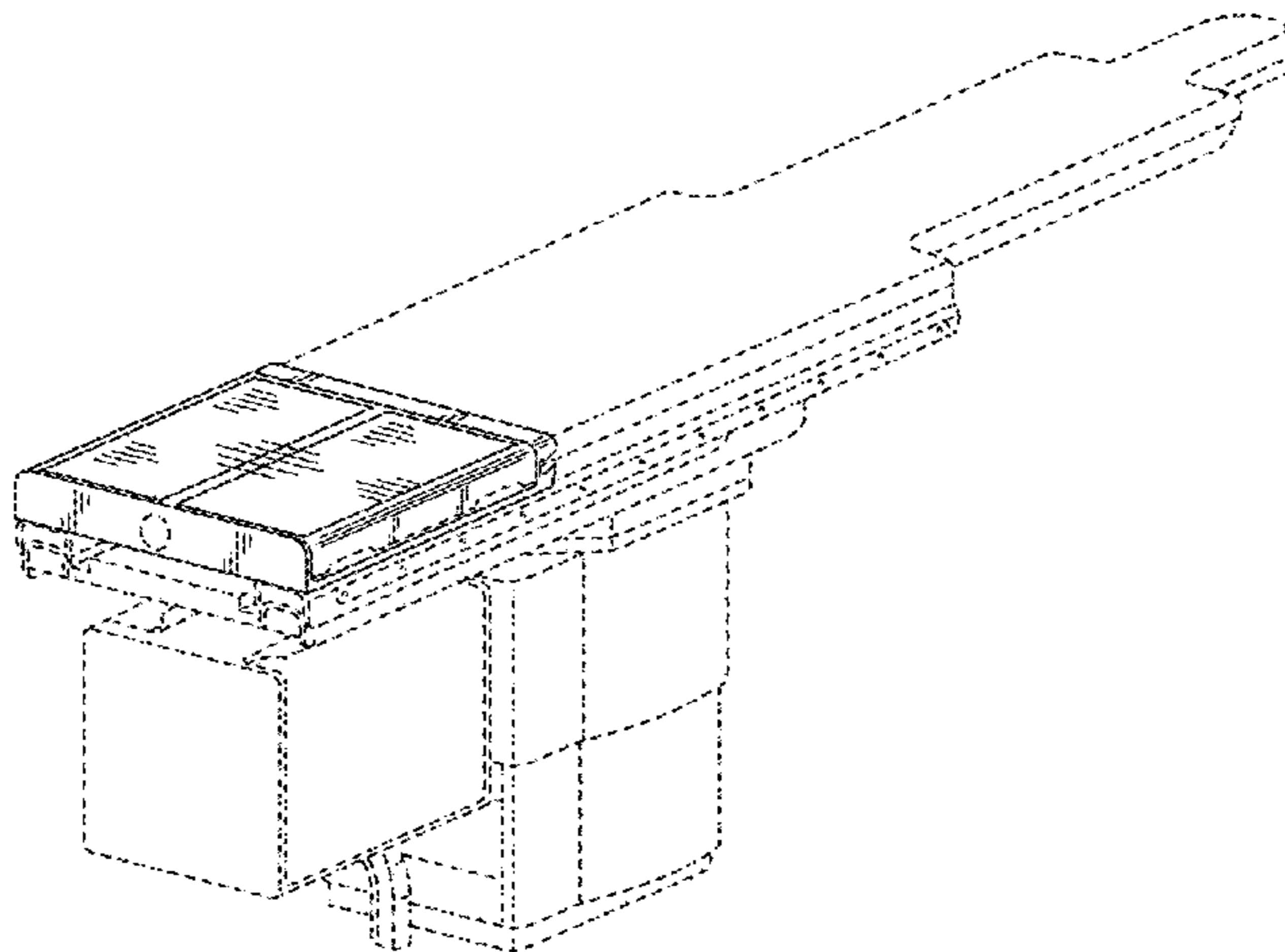
FIG. 10 is a front perspective view of the integration management system for patient table of FIG. 1 with the upper table compartment in a second open configuration; and,

FIG. 11 is a back perspective view of the integration management system for patient table of FIG. 1 with the upper table compartment in a third open configuration.

The broken lines immediately adjacent the shaded areas represent the bounds of the claim, while all other broken lines are directed to environment and are for illustrative purposes only. The broken lines form no part of the claimed design.

*Primary Examiner* — Anhdao Doan

**1 Claim, 7 Drawing Sheets**



(58) **Field of Classification Search**

CPC ... A61B 6/0407; A61B 6/0428; A61B 6/0421;  
A61B 6/0442; A61B 50/10; A61B  
50/105; A61G 2210/50; A61N 5/1049;  
A61N 2005/1097

See application file for complete search history.

(56) **References Cited**

U.S. PATENT DOCUMENTS

6,117,127	A	9/2000	Helmreich et al.	
D441,868	S	5/2001	Rodenas Santiago et al.	
D453,968	S	2/2002	Zachrisson	
6,378,149	B1	4/2002	Sanders et al.	
6,585,731	B1	7/2003	Rattner et al.	
D648,855	S	11/2011	Smith et al.	
8,457,713	B2	6/2013	Kagermeier	
D699,355	S	2/2014	Chung et al.	
D727,509	S	4/2015	Tan et al.	
D745,971	S	12/2015	Sharps et al.	
2005/0065640	A1	3/2005	Mallett et al.	
2011/0185502	A1*	8/2011	Rozewicz .....	A61G 13/00 5/600
2013/0269109	A1*	10/2013	Yu .....	A61G 7/0503 5/503.1
2015/0223891	A1	8/2015	Miller et al.	

\* cited by examiner

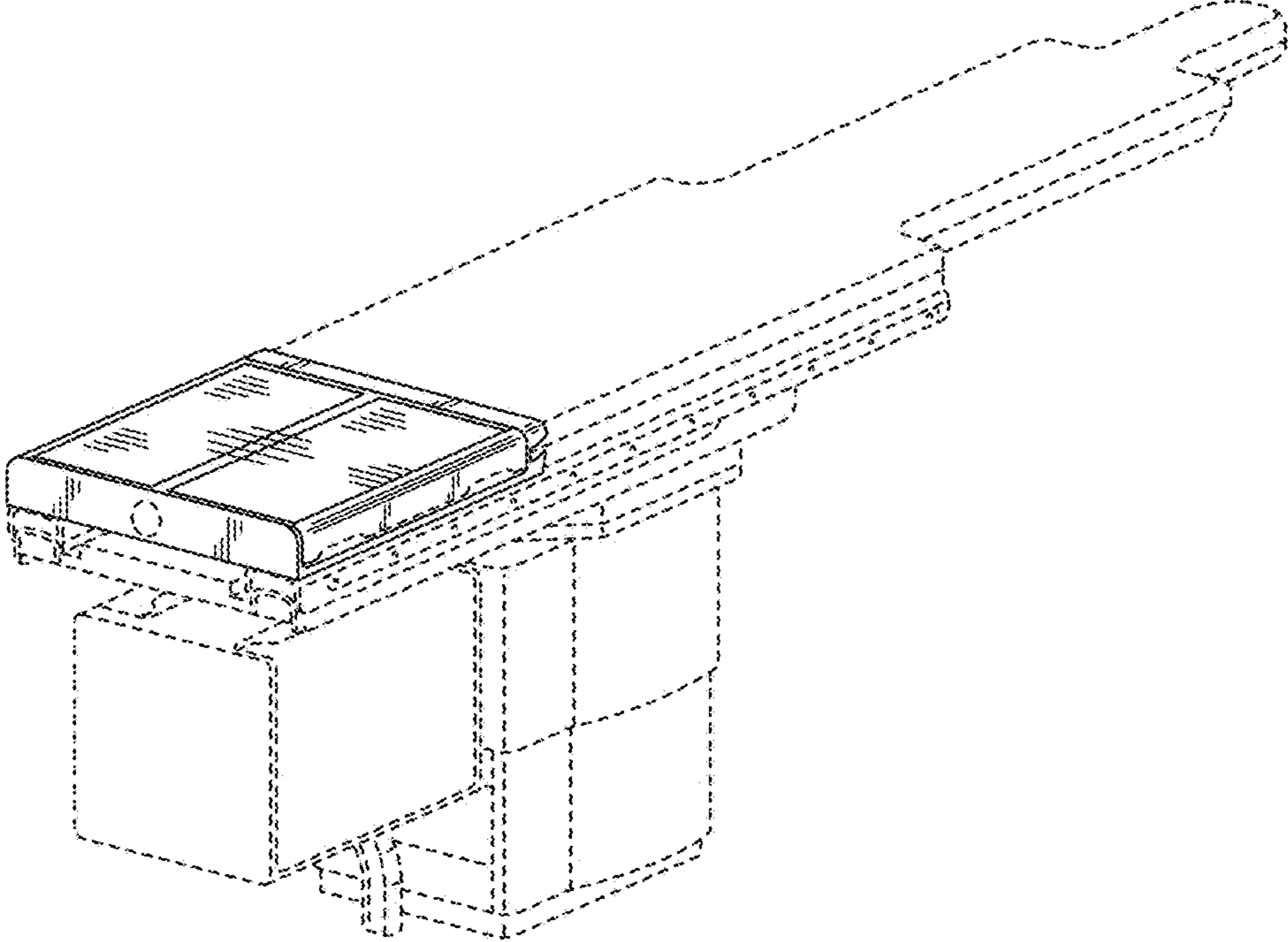


FIG. 1

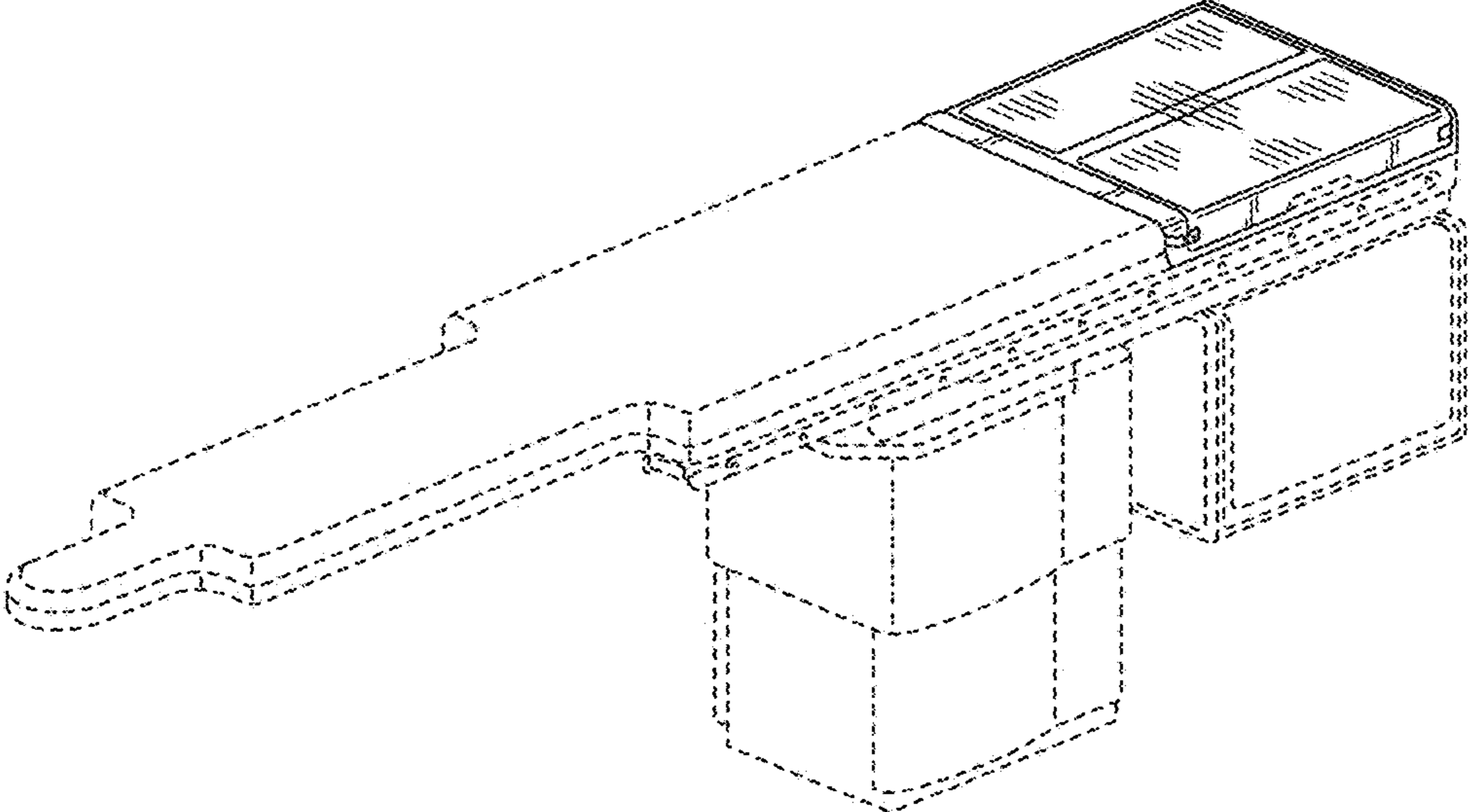


FIG. 2

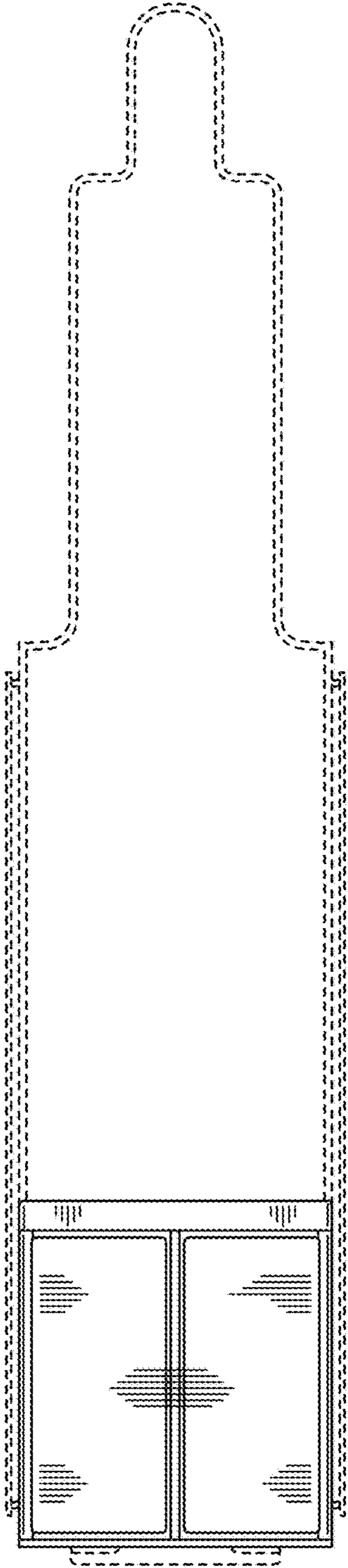


FIG. 3

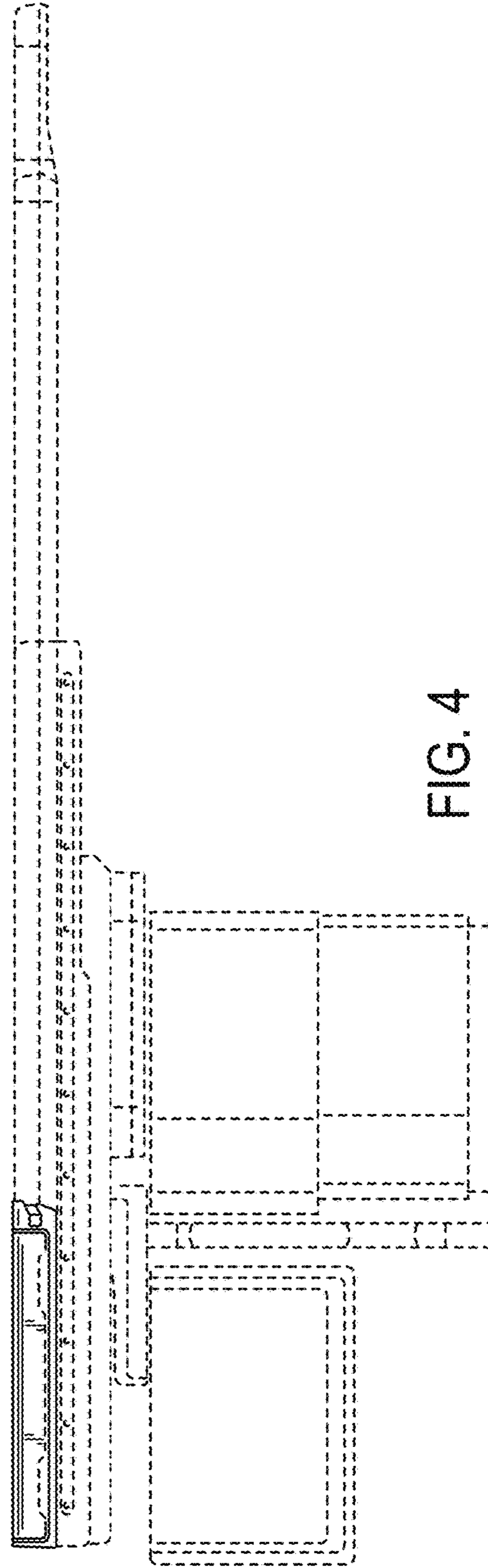


FIG. 4



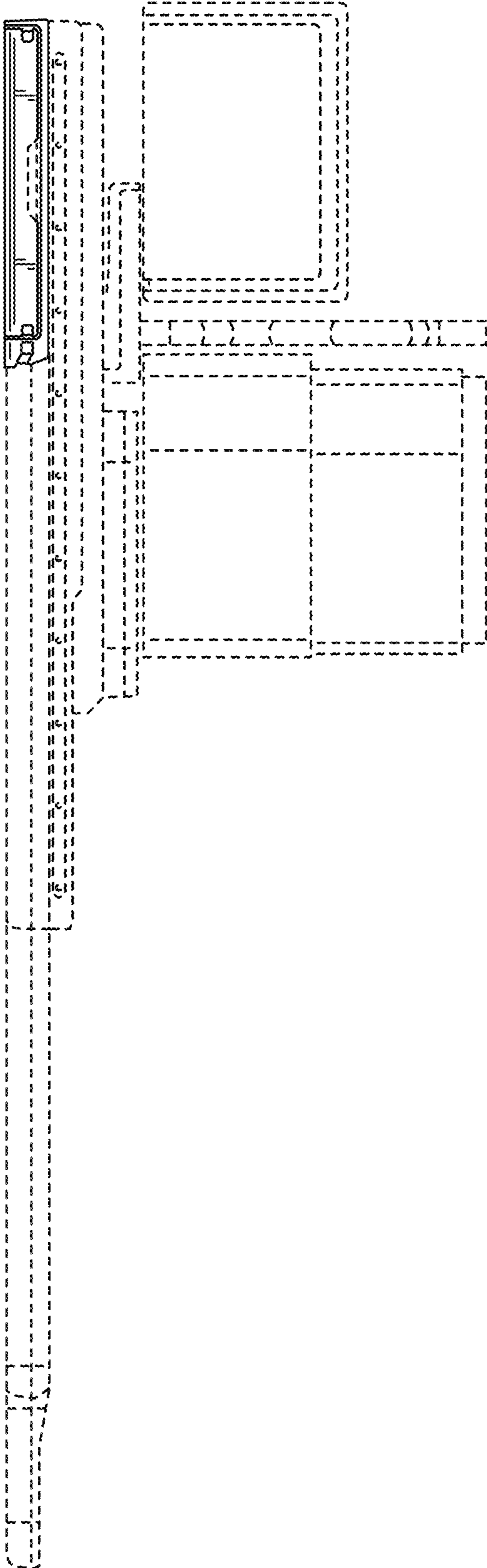


FIG. 5

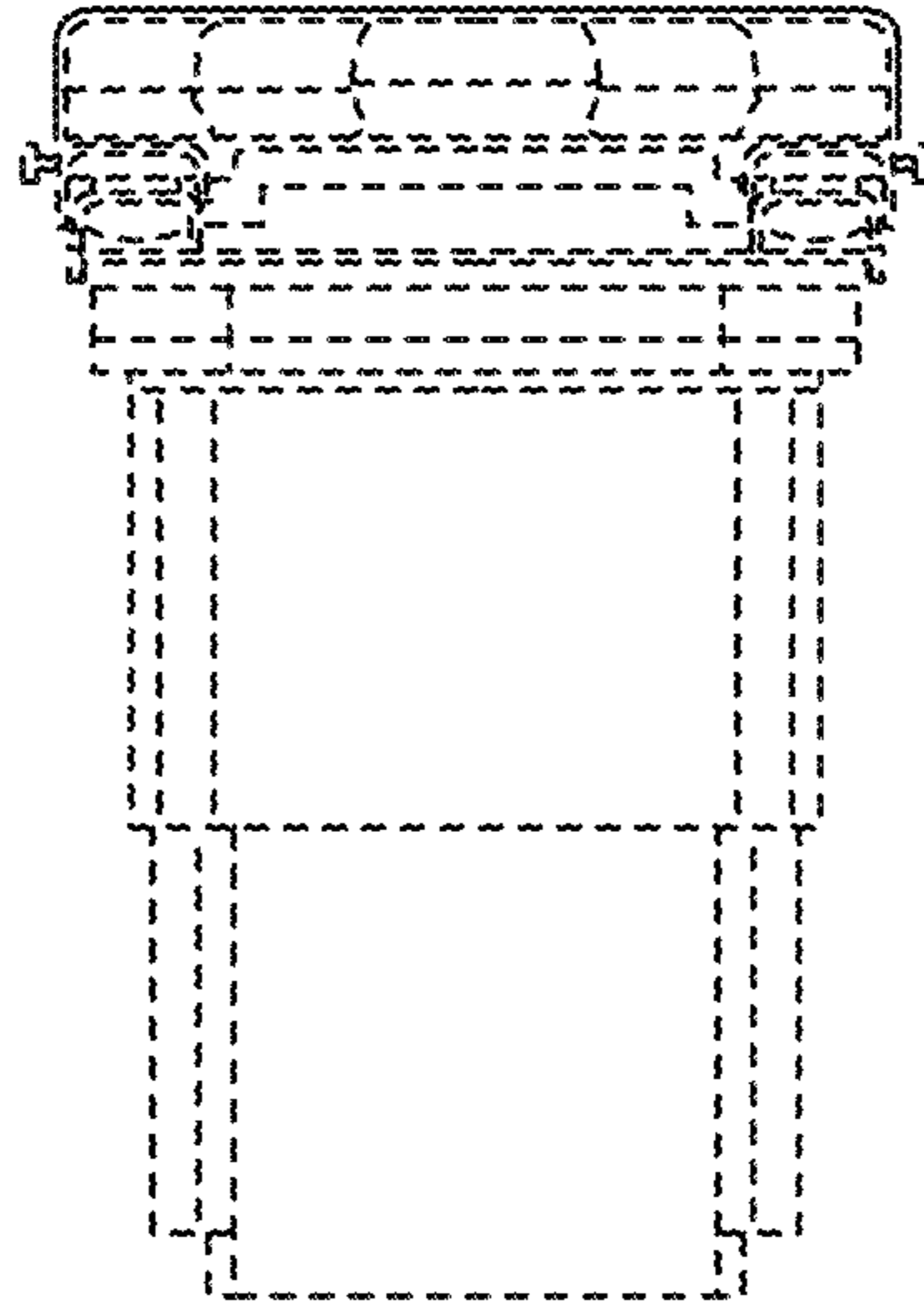


FIG. 6

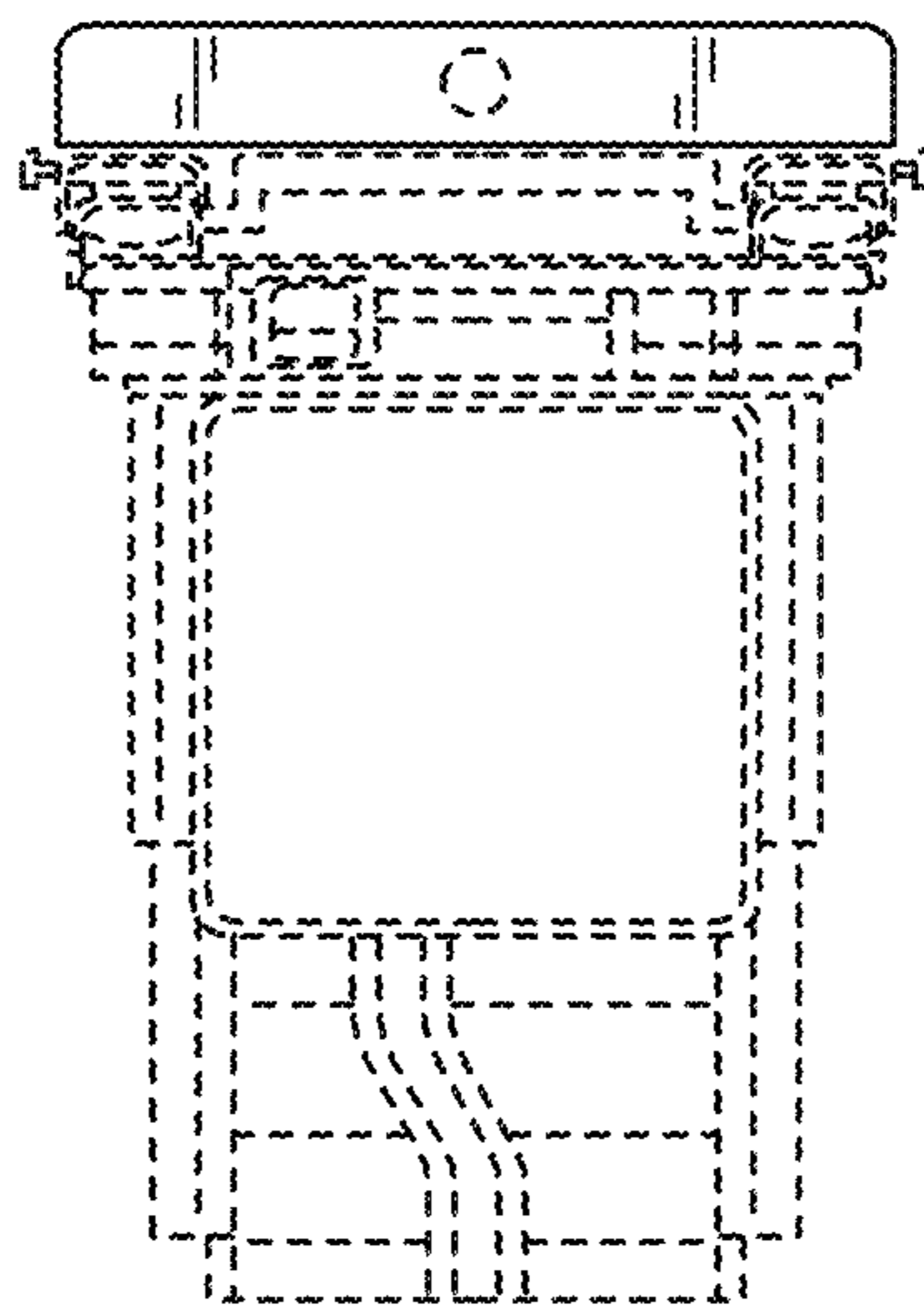


FIG. 7

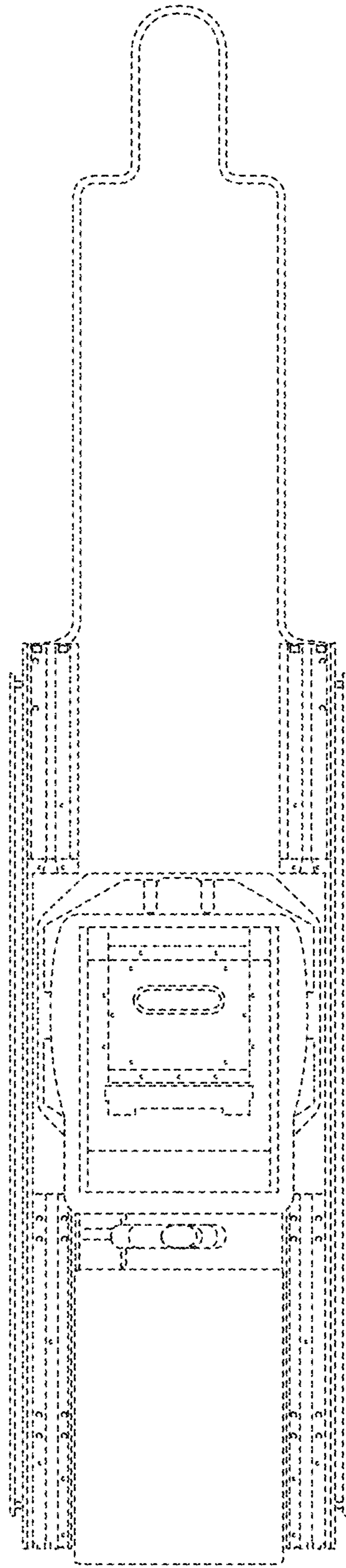


FIG. 8

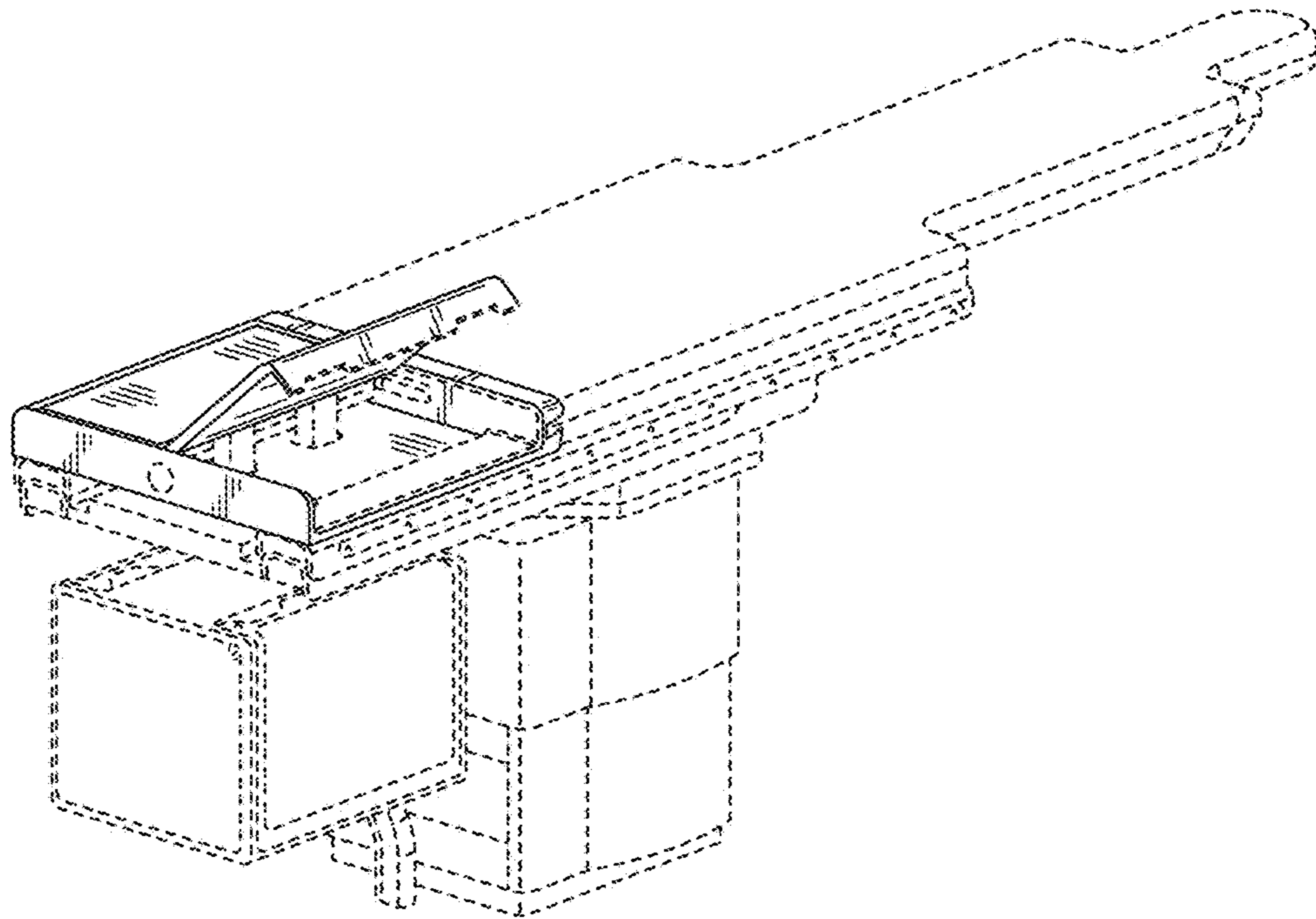


FIG. 9

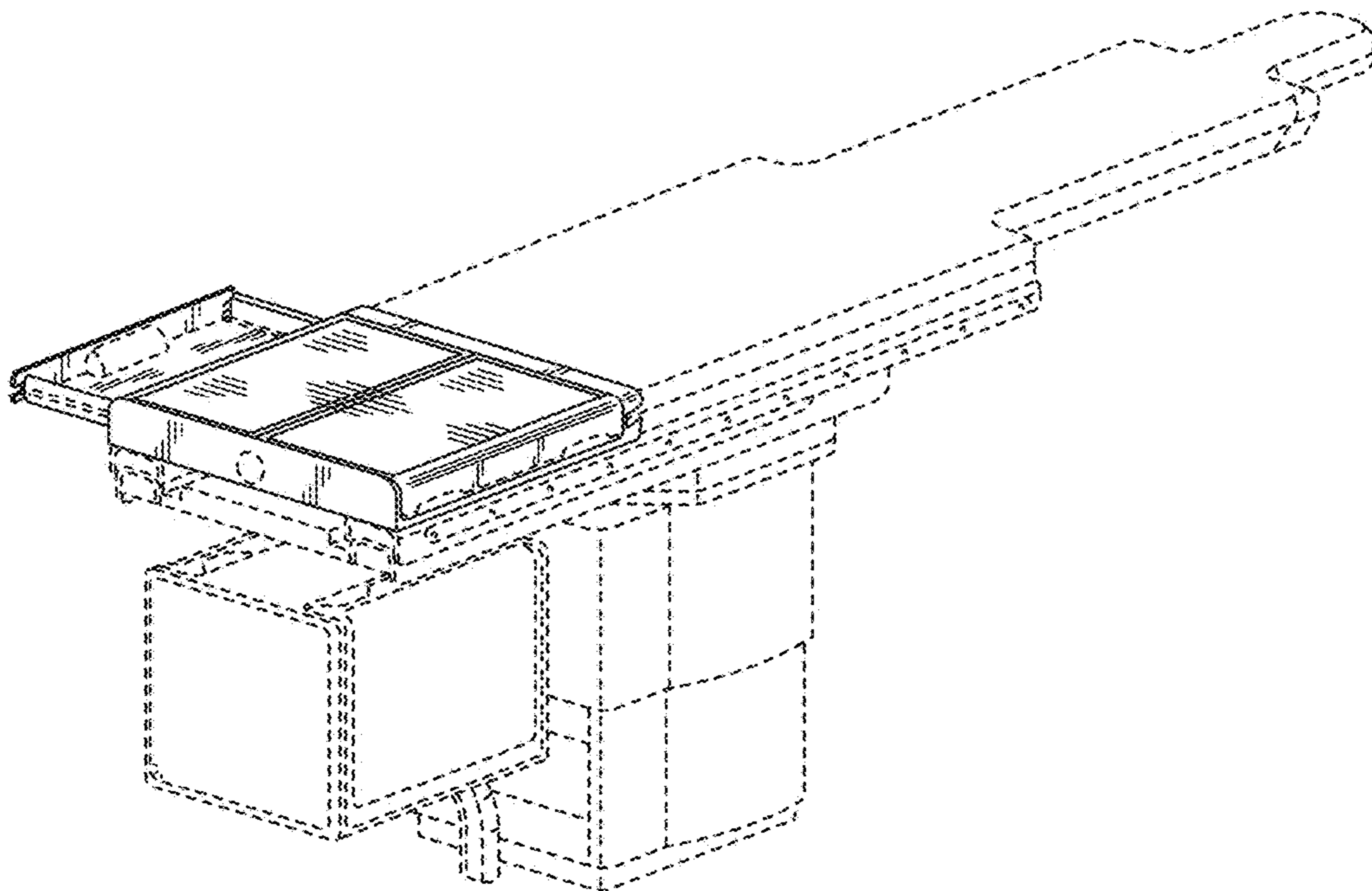


FIG. 10



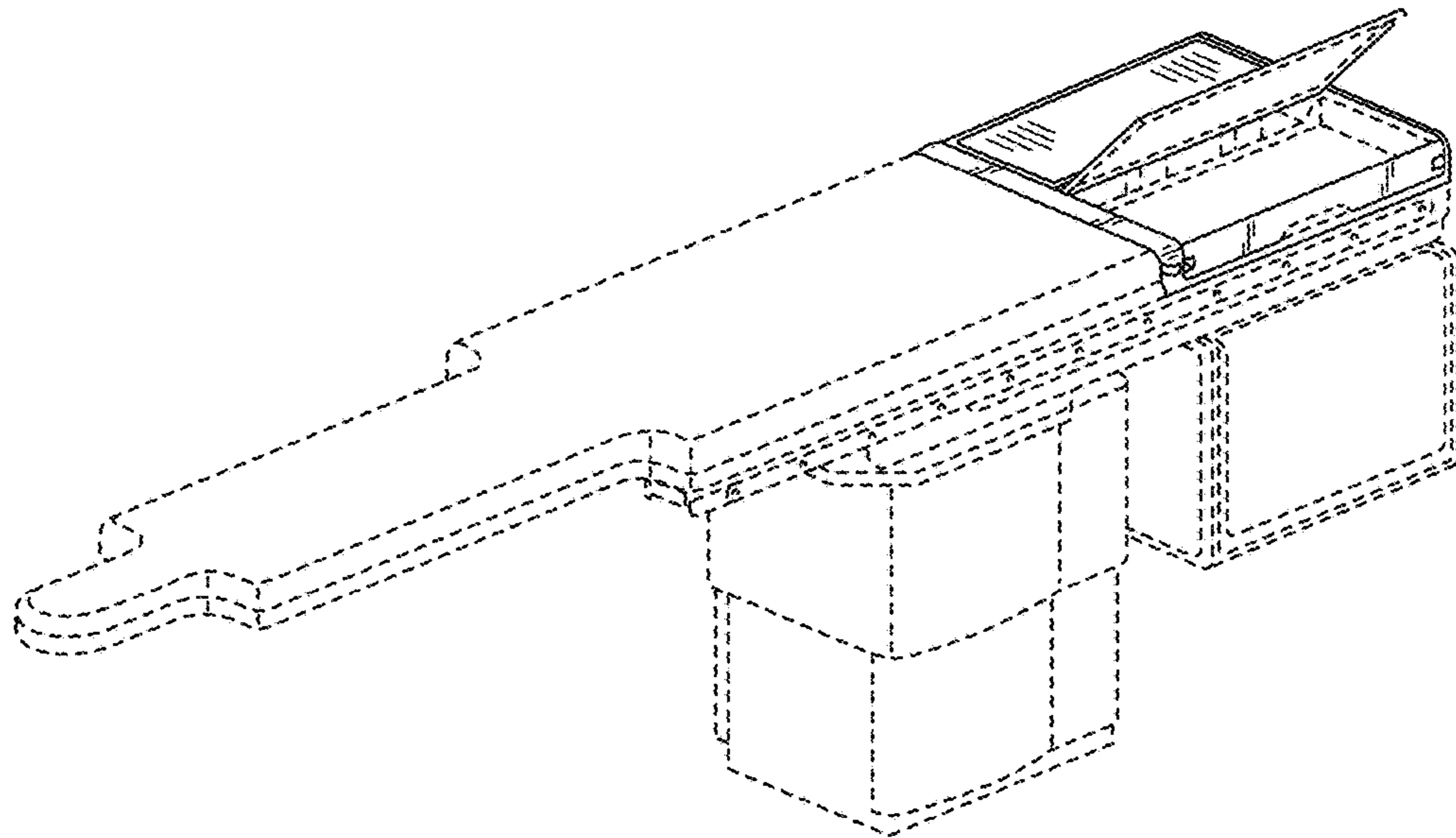


FIG. 11