



US00D820985S

(12) **United States Design Patent**
McLean et al.

(10) **Patent No.:** **US D820,985 S**
(45) **Date of Patent:** **** Jun. 19, 2018**

(54) **COMPOSITE DELIVERY SYSTEM**

(71) Applicant: **ULTRADENT PRODUCTS, INC.**,
South Jordan, UT (US)

(72) Inventors: **Bruce S. McLean**, Sandy, UT (US);
Wade Cannon, Orem, UT (US); **Dan E. Fischer**, Sandy, UT (US)

(73) Assignee: **Ultradent Products, Inc.**, South
Jordan, UT (US)

(**) Term: **15 Years**

(21) Appl. No.: **29/563,610**

(22) Filed: **May 6, 2016**

Related U.S. Application Data

(63) Continuation of application No. 13/231,717, filed on
Sep. 13, 2011, now abandoned.

(51) **LOC (11) Cl.** **24-02**

(52) **U.S. Cl.**
USPC **D24/152**

(58) **Field of Classification Search**
USPC D24/152, 176, 108, 112-114, 127
CPC A61C 5/62; A61C 5/66; A61C 5/68; A61C
9/0026; B05C 17/00593; B05C 17/00;
B05C 17/005

See application file for complete search history.

(56) **References Cited**

U.S. PATENT DOCUMENTS

D409,305 S * 5/1999 Martin D24/152
7,261,559 B2 * 8/2007 Smith A61C 5/62
433/89

D698,918 S * 2/2014 Leiner D24/114
8,834,158 B2 * 9/2014 Leiner A61C 5/62
222/390
D776,261 S * 1/2017 Jones D24/113
9,668,826 B2 * 6/2017 Claypool A61C 5/62
2003/0190580 A1 * 10/2003 Khachatourian A61C 5/62
433/80
2016/0324608 A1 * 11/2016 Frymark A61C 5/062

* cited by examiner

Primary Examiner — Wan Laymon

(74) *Attorney, Agent, or Firm* — Maschoff Brennan

(57) **CLAIM**

The ornamental design for a composite delivery system, as
shown and described.

DESCRIPTION

FIG. 1 is an upper perspective view of a composite delivery
system;

FIG. 2 is a left side view of the composite delivery system
shown in FIG. 1;

FIG. 3 is a right side view of the composite delivery system
shown in FIG. 1;

FIG. 4 is a front view of the composite delivery system
shown in FIG. 1;

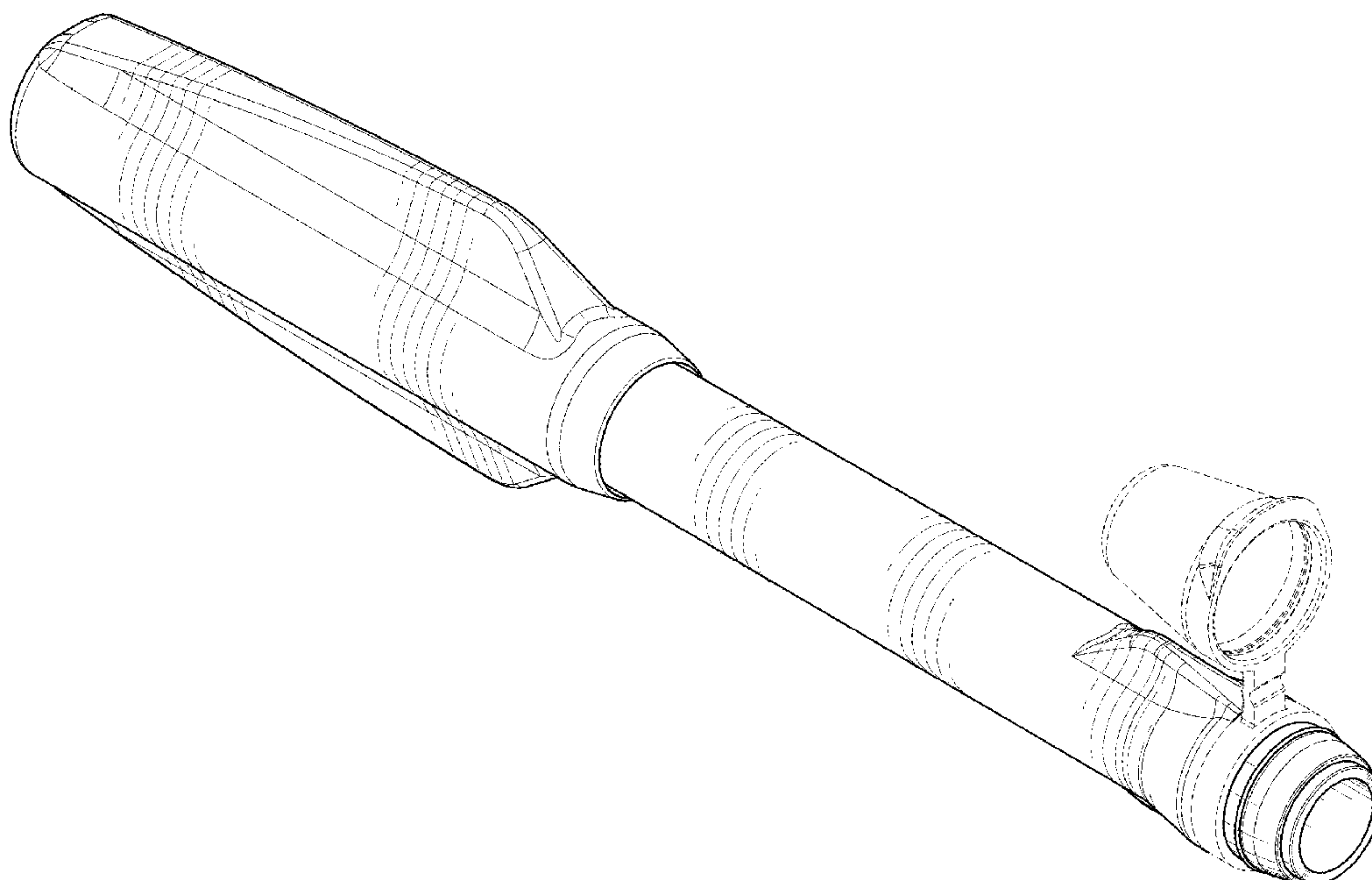
FIG. 5 is a rear view of the composite delivery system shown
in FIG. 1;

FIG. 6 is a top view of the composite delivery system shown
in FIG. 1; and,

FIG. 7 is a bottom view of the composite delivery system
shown in FIG. 1.

The broken lines showing portions of the composite delivery
system are included for the purpose of illustrating environ-
mental structures and form no part of the claimed design.

1 Claim, 4 Drawing Sheets



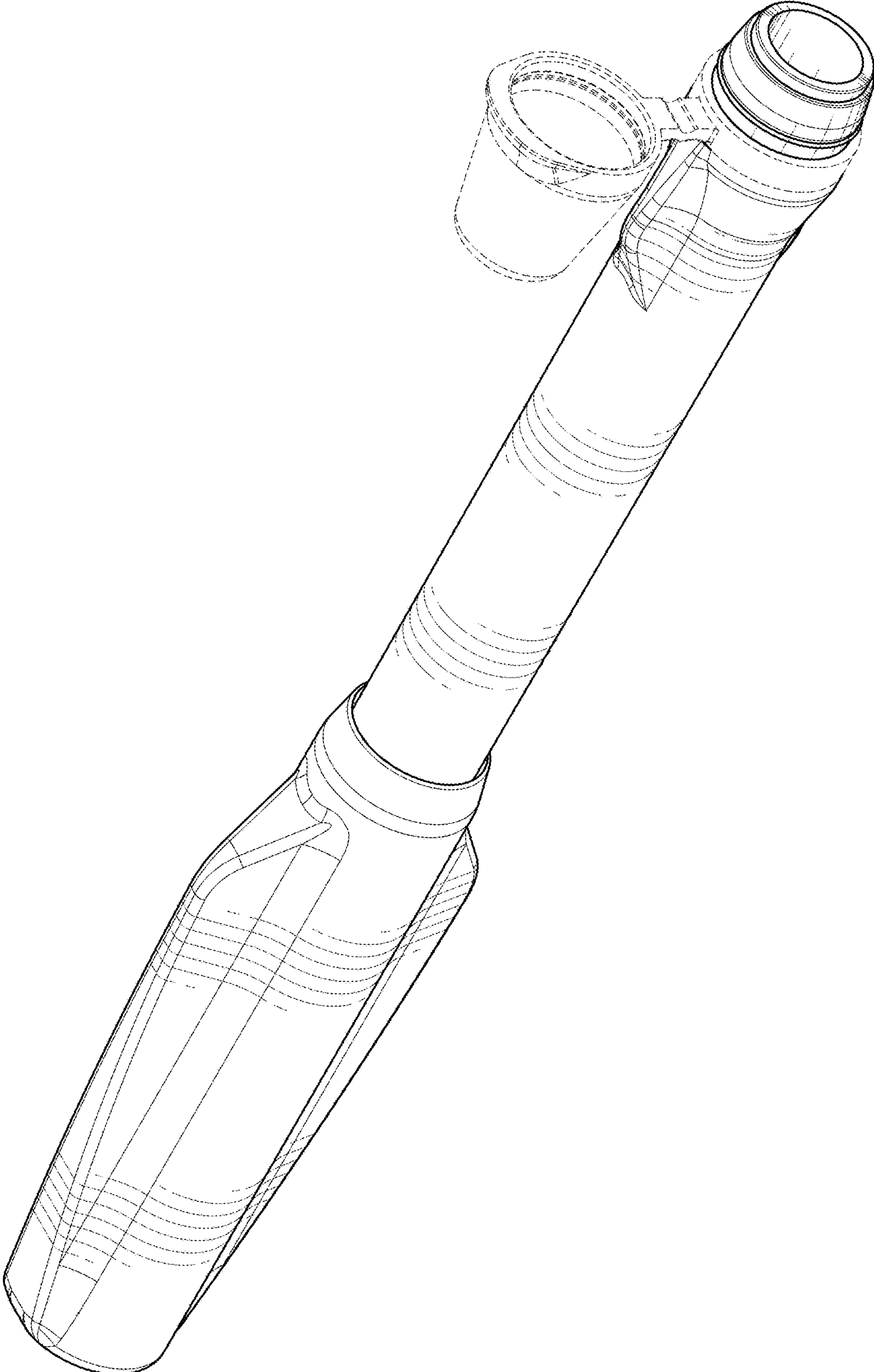


FIG. 1

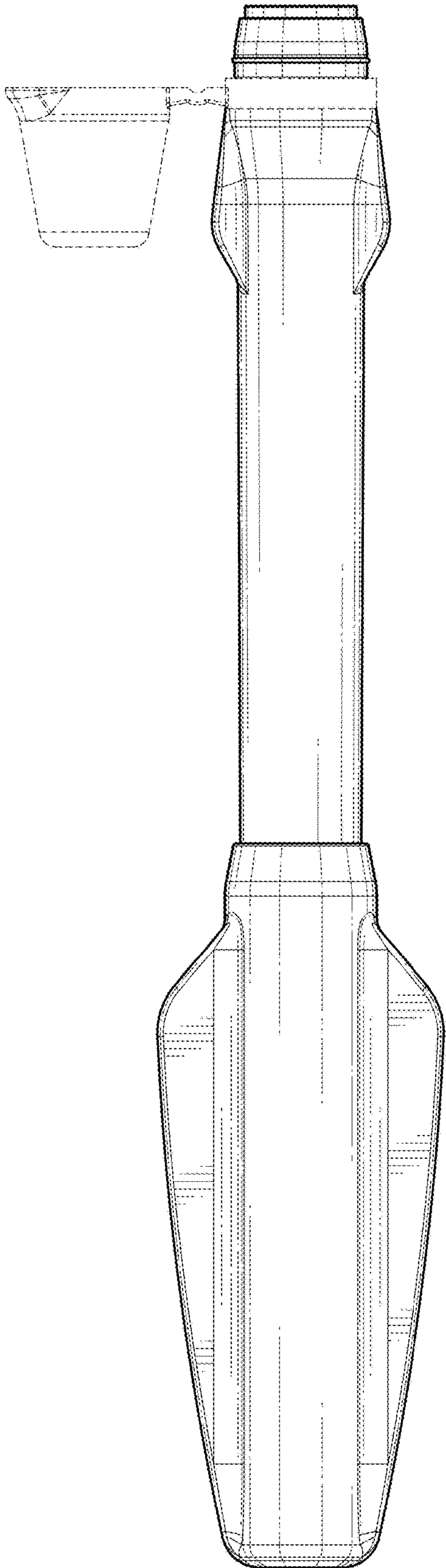


FIG. 2

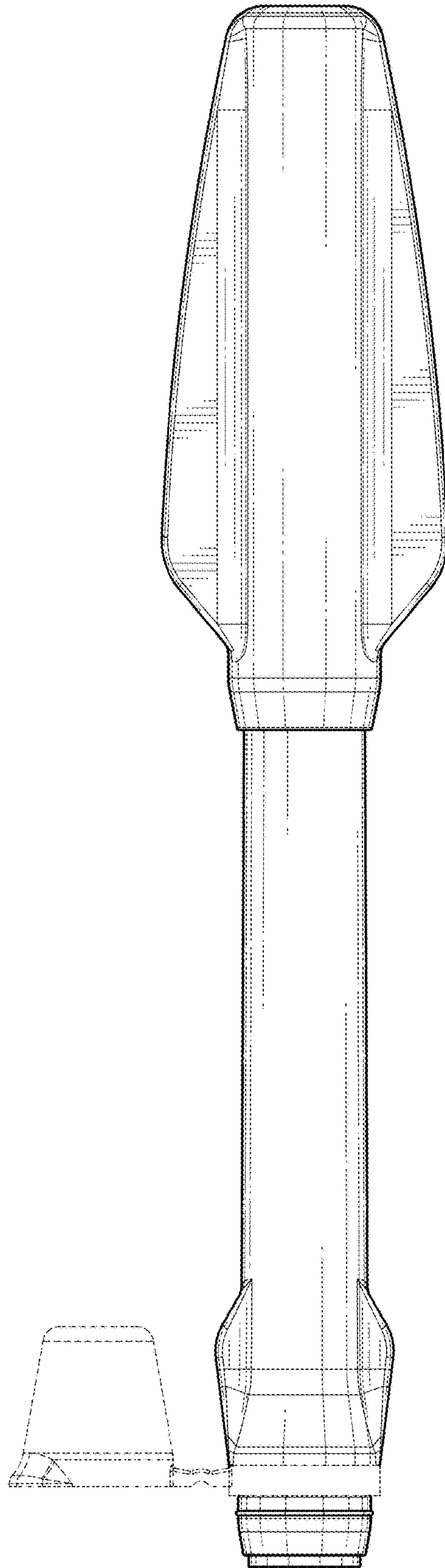


FIG. 3

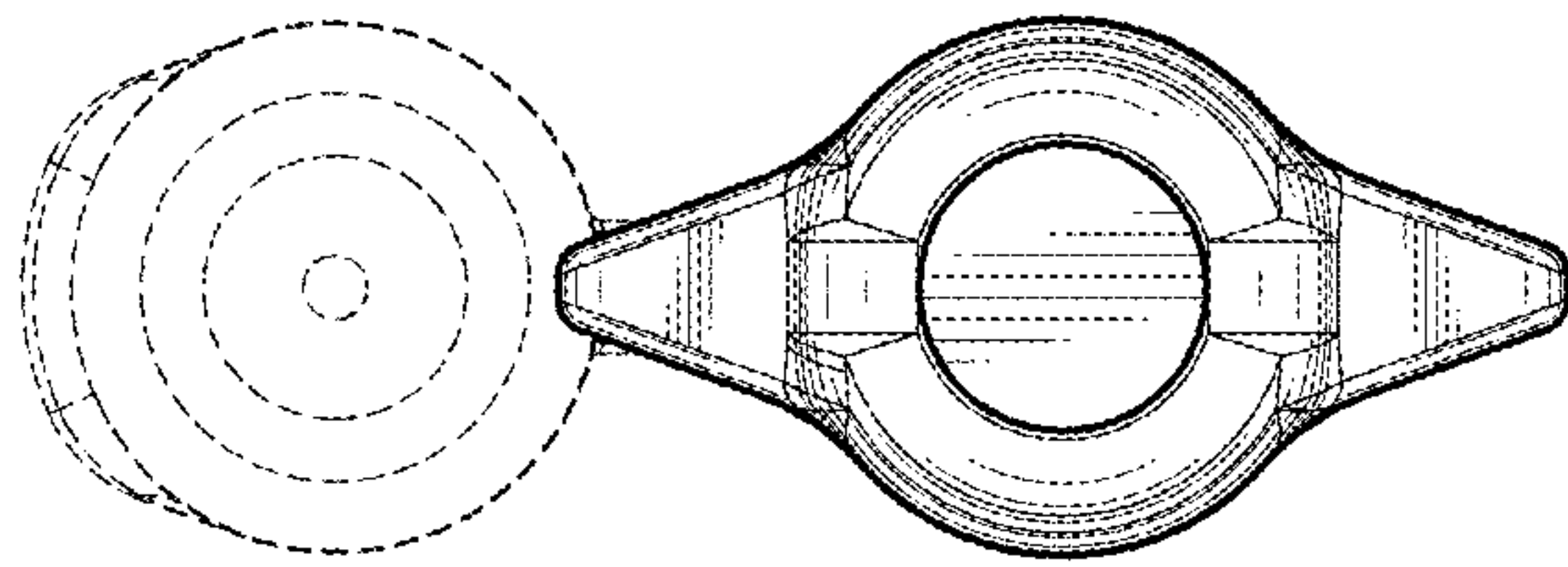


FIG. 5

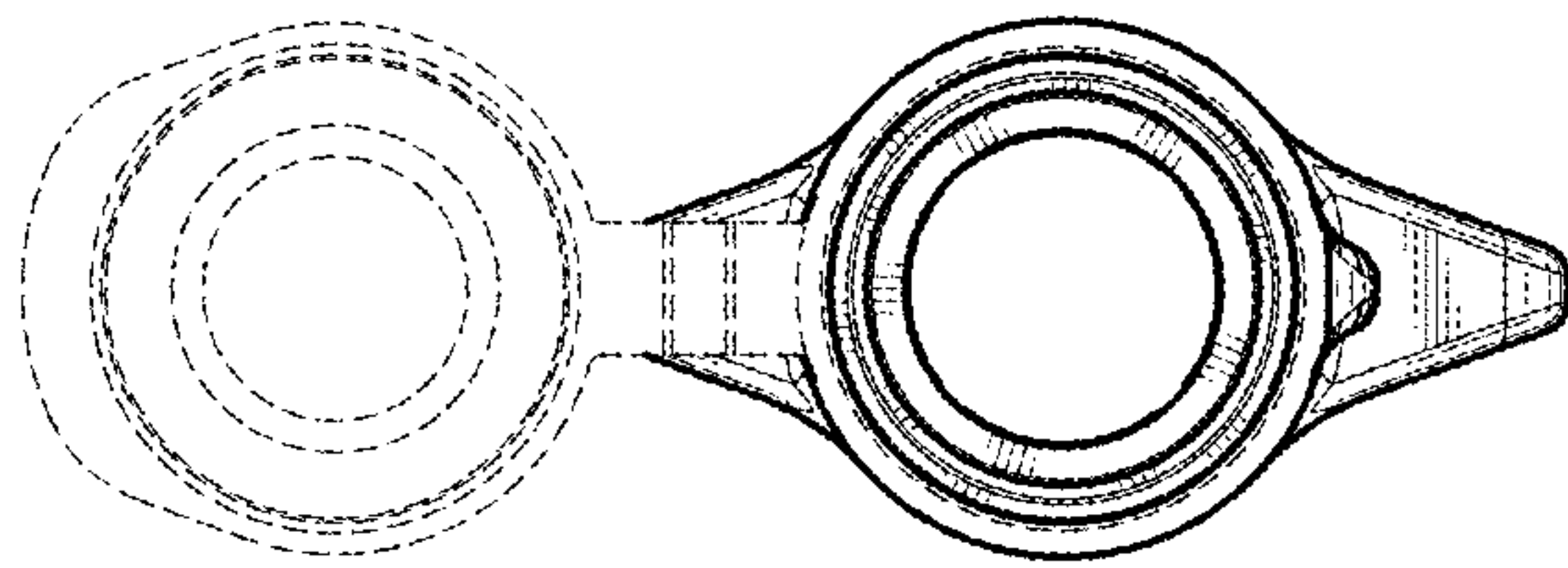


FIG. 4

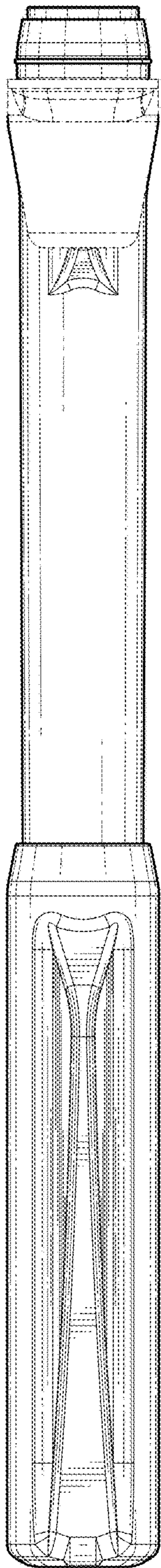


FIG. 6

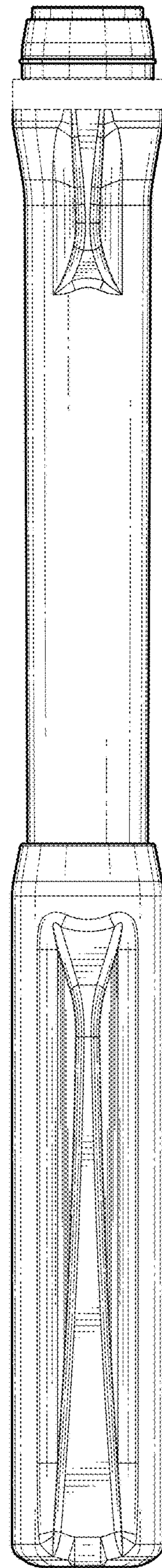


FIG. 7