

US00D820984S

(12) **United States Design Patent** (10) **Patent No.:** **US D820,984 S**  
**Kheradpir et al.** (45) **Date of Patent:** **\*\* Jun. 19, 2018**

(54) **POINTER TOOL**

FOREIGN PATENT DOCUMENTS

(71) Applicants: **Leila Kheradpir**, Toronto (CA);  
**William Wai-Leung Lau**, Toronto  
(CA)

CN 303267811 S 7/2015  
KR 300524497.0000 \* 3/2009

(72) Inventors: **Leila Kheradpir**, Toronto (CA);  
**William Wai-Leung Lau**, Toronto  
(CA)

OTHER PUBLICATIONS

(73) Assignee: **SYNAPTIVE MEDICAL  
(BARBADOS) INC.**, Bridgetown (BB)

What-when-how. <URL: <http://what-when-how.com/stereotactic-and-functional-neurosurgery/surgical-navigation-with-the-brainlab-system-stereotactic-and-functional-neurosurgery/>> Visited Dec. 13, 2017. Surgical navigation system.\*

(Continued)

(\*\*) Term: **15 Years**

*Primary Examiner* — Bridget L Eland  
*Assistant Examiner* — Lauren McVey

(21) Appl. No.: **29/590,804**

(74) *Attorney, Agent, or Firm* — Perry + Currier Inc.

(22) Filed: **Jan. 13, 2017**

(57) **CLAIM**

**Related U.S. Application Data**

We claim the ornamental design for a pointer tool, as shown and described.

(63) Continuation-in-part of application No. 29/504,558, filed on Oct. 7, 2014, now abandoned.

**DESCRIPTION**

(51) **LOC (11) Cl.** ..... **24-02**

FIG. 1 is a front perspective view of a pointer tool, showing our new design;

(52) **U.S. Cl.**  
USPC ..... **D24/140**

FIG. 2 is a front elevation view thereof;

(58) **Field of Classification Search**  
USPC ..... D24/140, 108, 112, 137, 138  
See application file for complete search history.

FIG. 3 is a rear elevation view thereof;

(56) **References Cited**

FIG. 4 is an enlarged top plan view thereof, in order to show aspects of the design not otherwise apparent;

U.S. PATENT DOCUMENTS

D241,476 S 9/1976 Lahay  
D247,915 S 5/1978 Lahay  
D331,461 S \* 12/1992 Lester ..... D24/133  
D420,132 S \* 2/2000 Bucholz ..... D24/140  
6,236,875 B1 5/2001 Bucholz et al.  
D474,269 S 5/2003 Choksi et al.  
6,711,431 B2 \* 3/2004 Sarin ..... A61B 5/103  
606/130

FIG. 5 is an enlarged bottom plan view thereof, in order to show aspects of the design not otherwise apparent;

FIG. 6 is a left side elevation view thereof;

FIG. 7 is a right side elevation view thereof; and,

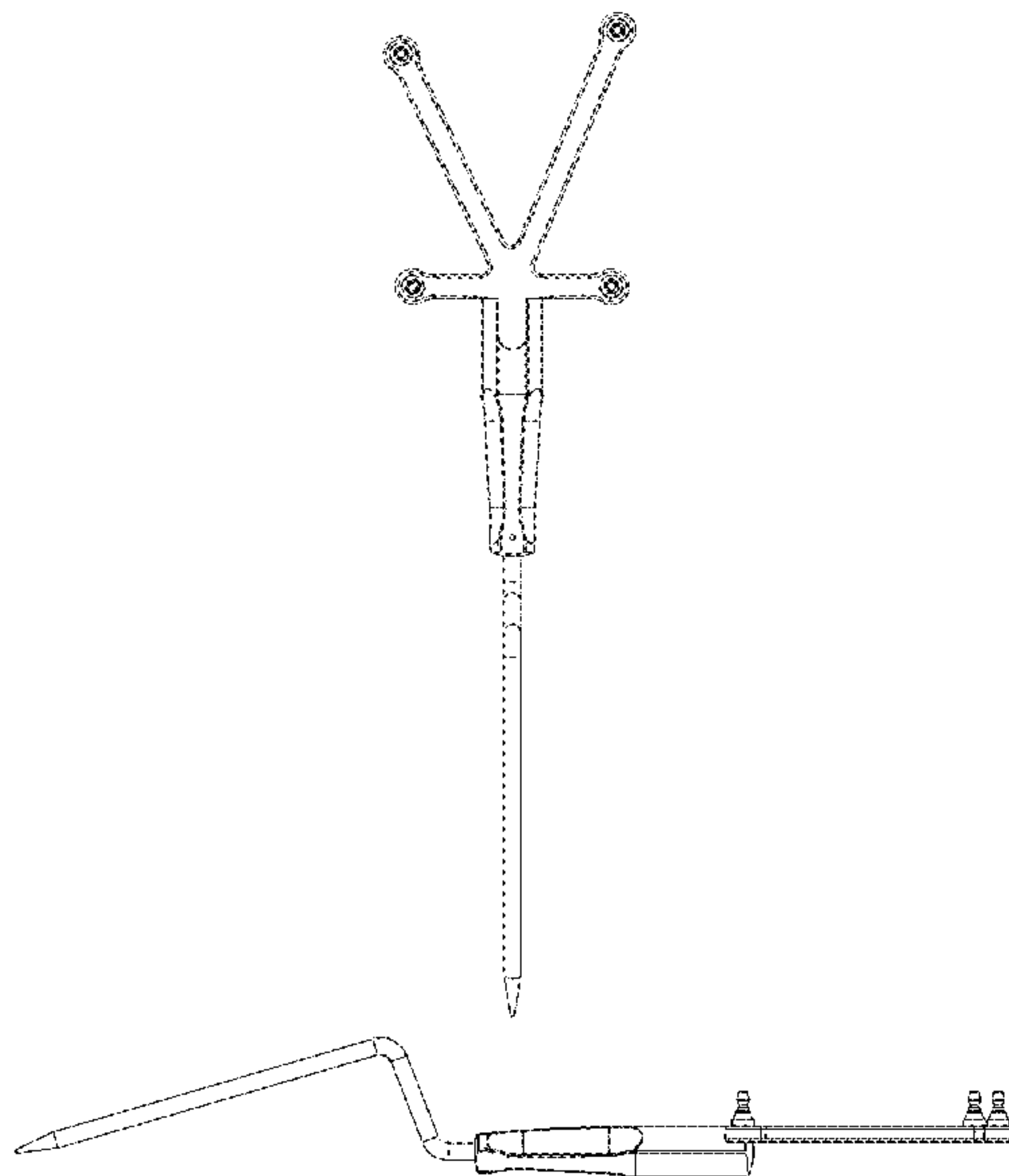
FIG. 8 is a front perspective view thereof, shown with environment.

The broken lines are directed to environment and form no part of the claimed design.

The wire frame lines shown throughout the views are intended to indicate surface contour.

D571,458 S 6/2008 Kataoka et al.  
(Continued)

**1 Claim, 8 Drawing Sheets**



(56)

References Cited

U.S. PATENT DOCUMENTS

7,491,198 B2 \* 2/2009 Kockro ..... A61B 90/36  
600/117  
7,643,862 B2 \* 1/2010 Schoenefeld ..... A61B 90/36  
600/407  
7,993,353 B2 8/2011 Roßner et al.  
8,205,616 B2 \* 6/2012 Miyazaki ..... A61B 90/50  
128/845  
8,357,165 B2 \* 1/2013 Grant ..... A61B 90/36  
606/86 R  
8,800,939 B2 \* 8/2014 Karsak ..... A61B 17/1703  
248/74.1  
D732,663 S \* 6/2015 Miner ..... D24/128  
D761,428 S \* 7/2016 Birkenbach ..... D24/140  
D788,915 S \* 6/2017 Kheradpir ..... D24/140  
2003/0181918 A1 \* 9/2003 Smothers ..... A61B 6/547  
606/86 R  
2005/0113846 A1 \* 5/2005 Carson ..... A61F 2/461  
606/130

OTHER PUBLICATIONS

Youtube. <URL: <https://www.youtube.com/watch?v=Pz0QdomhyG4>> Mar. 14, 2014. VarioGuide-Precise Instrument Alignment.\*  
Ex Parte Quayle Action dated Mar. 28, 2016 for Design U.S. Appl. No. 29/540,514.  
Ex Parte Quayle Action dated Mar. 31, 2016 for Design U.S. Appl. No. 29/540,510.  
Ex Parte Quayle Action dated Mar. 15, 2016 for Design U.S. Appl. No. 29/540,430.  
Product Webpage “Stryker Calibration Tool”, <http://www.labx.com/item/stryker-calibration-tool/LV32572128>, retrieved on Jan. 15, 2015.  
Brochure, “Stryker Navigation System: The Smarter Version”, Stryker Leibinger Inc., <http://www.stryker.com.br/arquivos/navmultimodular.pdf>, retrieved on Jan. 15, 2015.  
Notice of Allowance, dated Jan. 5, 2018, by USPTO, re Design U.S. Appl. No. 29/589,926.

\* cited by examiner

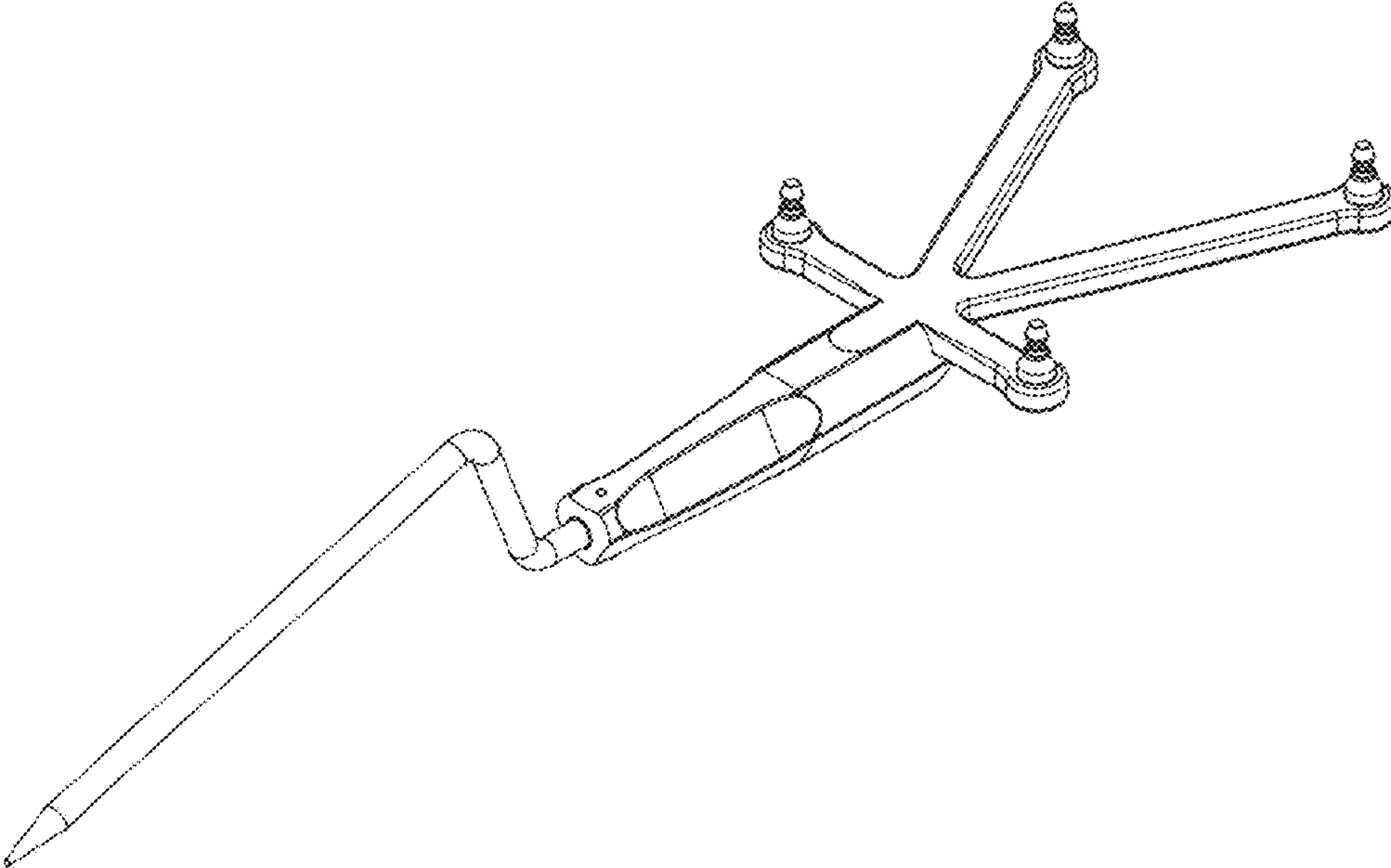


FIG. 1

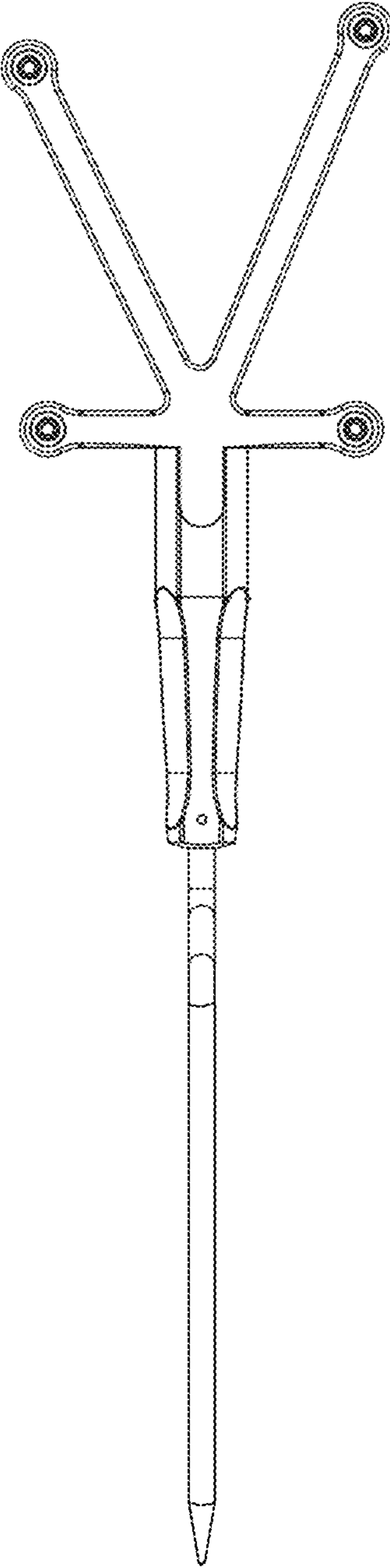


FIG. 2

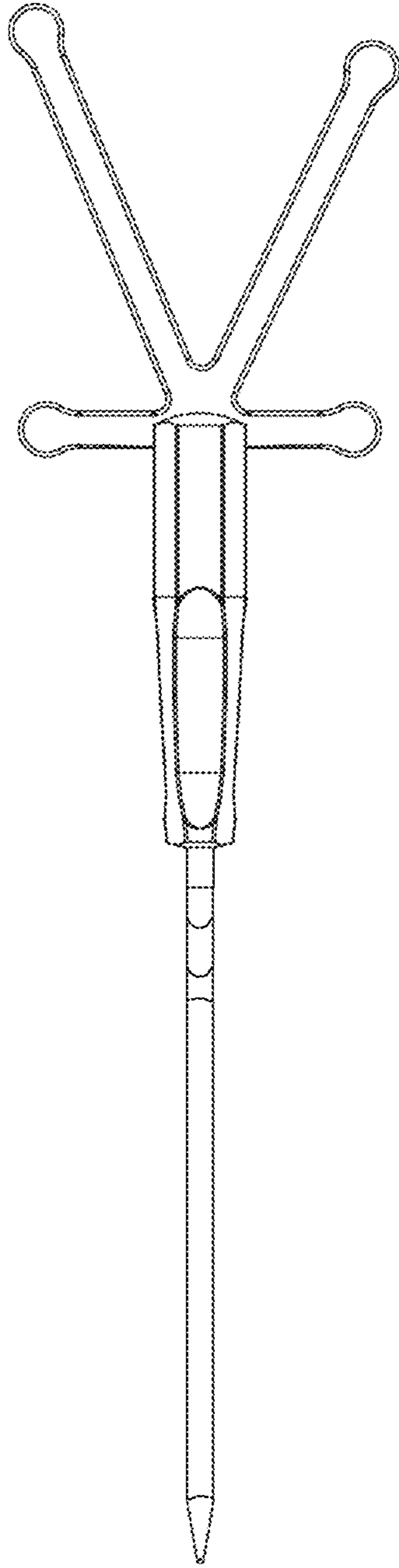


FIG. 3

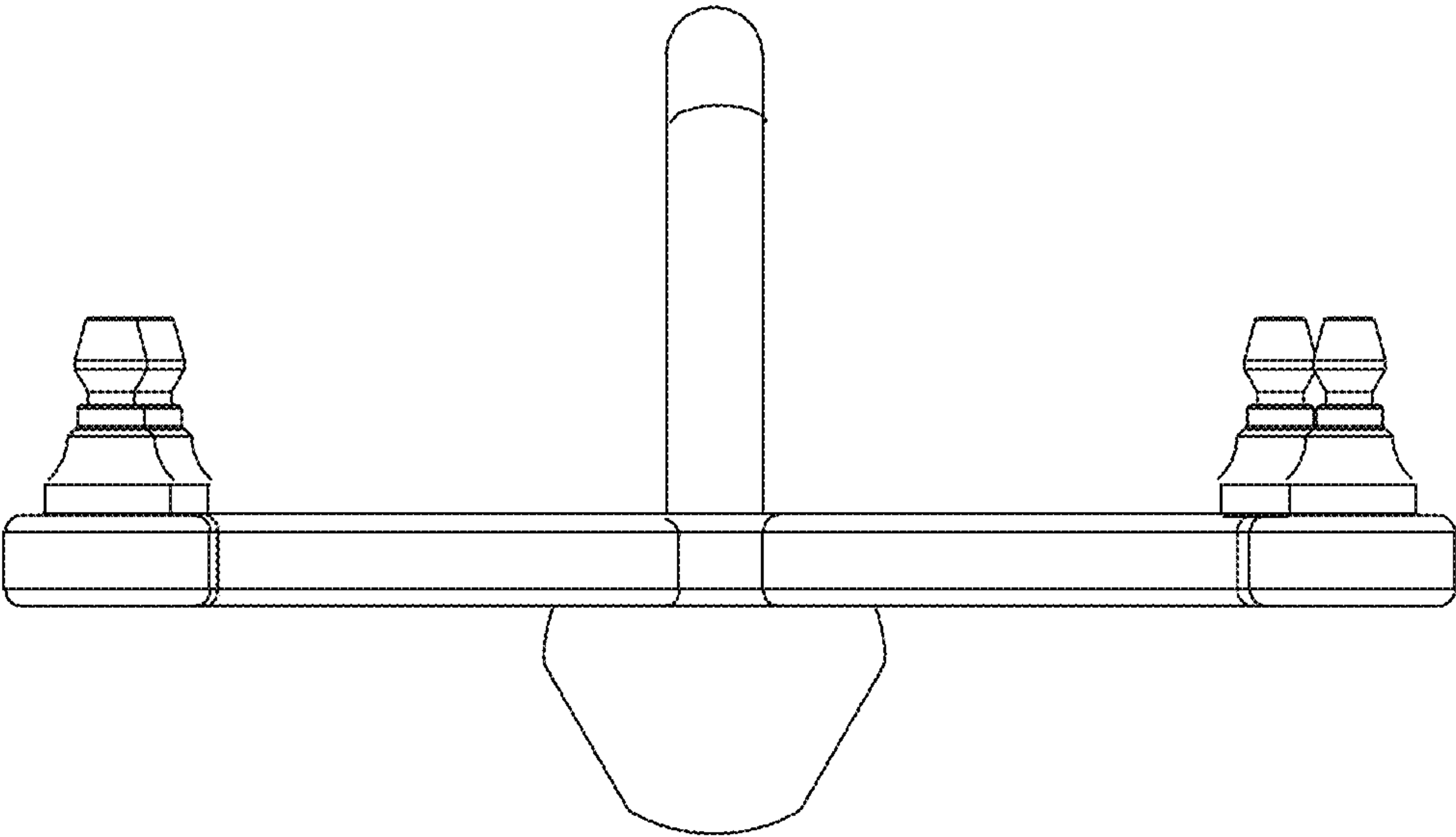


FIG. 4

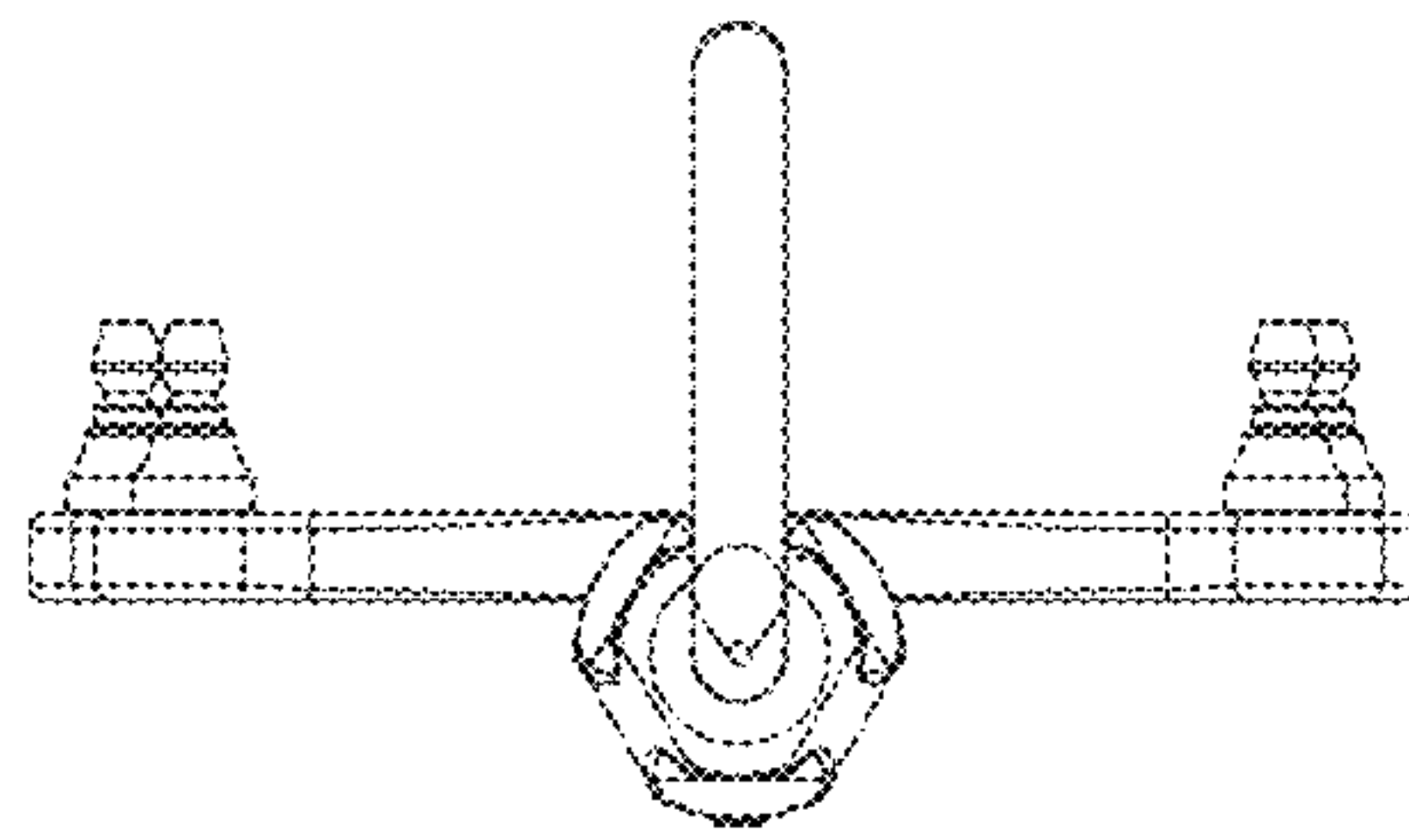


FIG.5

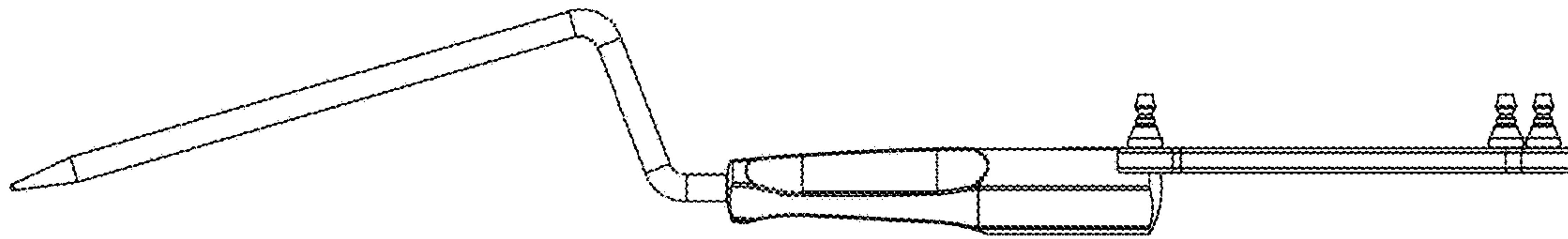


FIG. 6



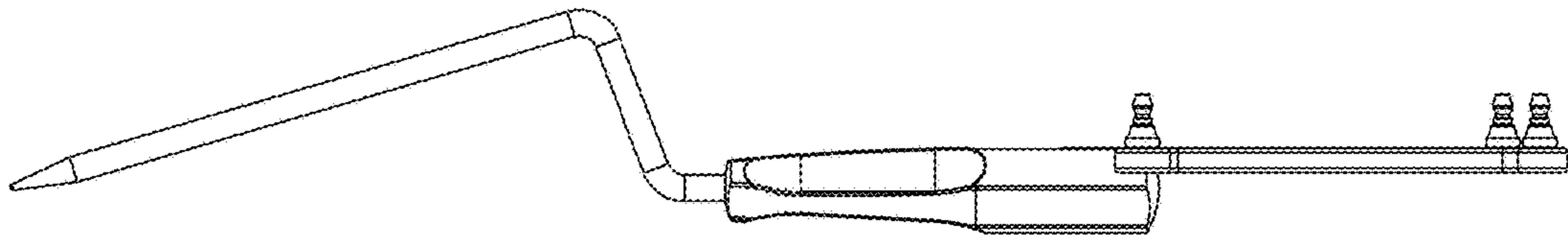


FIG. 7

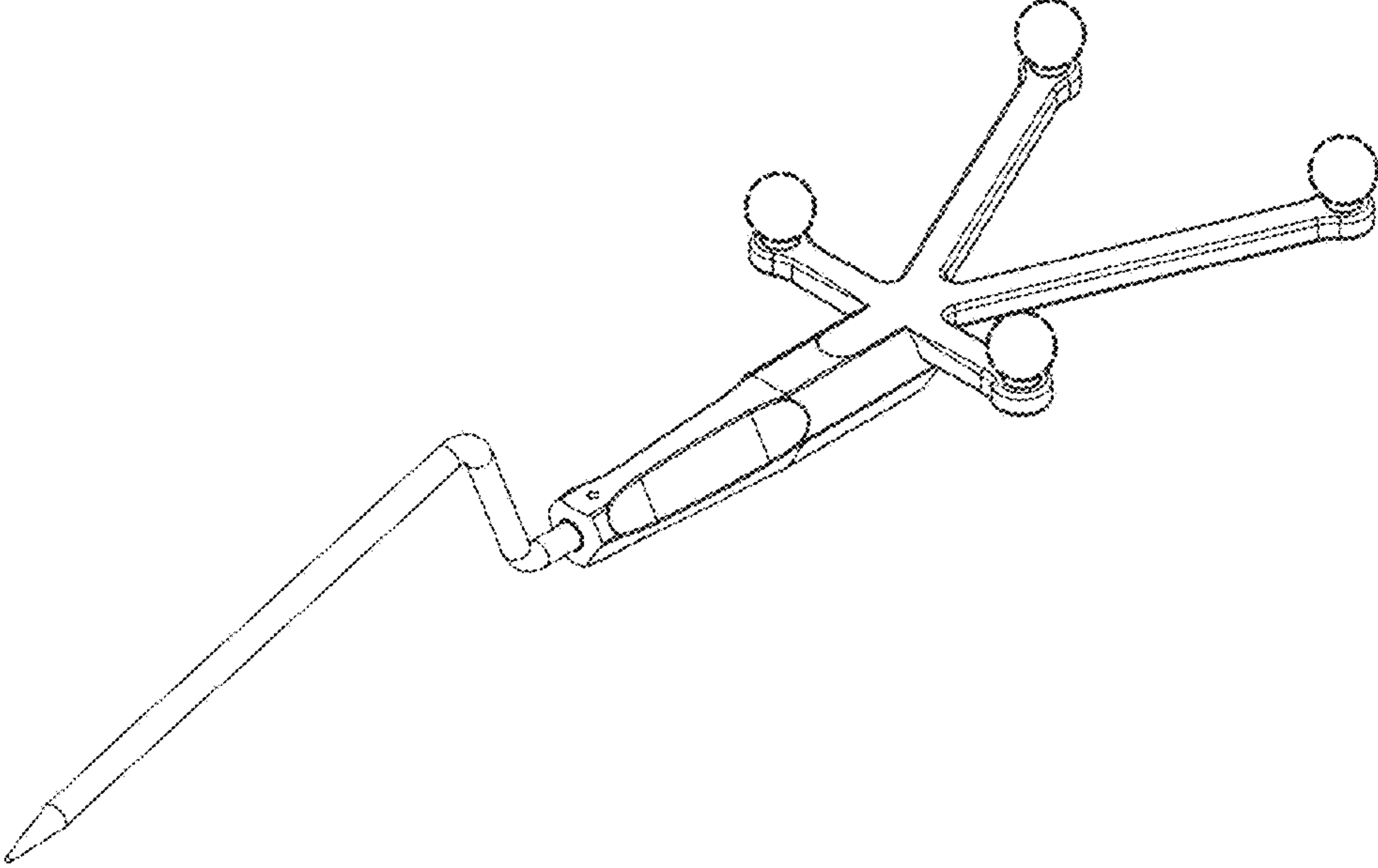


FIG. 8