



US00D820983S

(12) **United States Design Patent**  
**Kheradpir et al.**

(10) **Patent No.:** **US D820,983 S**  
(45) **Date of Patent:** **\*\* Jun. 19, 2018**

(54) **CALIBRATION APPARATUS**

(71) Applicants: **Leila Kheradpir**, Toronto (CA); **Kyle Richard Dupont**, Toronto (CA); **Jakub Jankowski**, Toronto (CA); **Suman Uthayanathan**, Toronto (CA)

(72) Inventors: **Leila Kheradpir**, Toronto (CA); **Kyle Richard Dupont**, Toronto (CA); **Jakub Jankowski**, Toronto (CA); **Suman Uthayanathan**, Toronto (CA)

(\*\*) Term: **15 Years**

(21) Appl. No.: **29/588,647**

(22) Filed: **Dec. 22, 2016**

(51) **LOC (11) Cl.** ..... **24-02**

(52) **U.S. Cl.**  
USPC ..... **D24/140; D10/65**

(58) **Field of Classification Search**  
USPC ..... D10/64, 65; D24/140, 186, 231  
CPC .... A61B 2560/0223; A61B 2560/0228; A61B 34/20; A61B 2034/2059; A61B 2034/2068; A61B 2017/00725  
See application file for complete search history.

(56) **References Cited**

**U.S. PATENT DOCUMENTS**

|              |      |         |                |                        |
|--------------|------|---------|----------------|------------------------|
| 5,987,960    | A    | 11/1999 | Messner et al. |                        |
| 6,306,126    | B1   | 10/2001 | Moctezuma      |                        |
| 6,996,487    | B2 * | 2/2006  | Jutras         | A61L 390/10<br>600/414 |
| 7,043,961    | B2   | 5/2006  | Pandey et al.  |                        |
| D788,915     | S *  | 6/2017  | Kheradpir      | D24/140                |
| D794,787     | S *  | 8/2017  | Kheradpir      | D24/140                |
| 2001/0051761 | A1   | 12/2001 | Khadem         |                        |
| 2011/0082467 | A1   | 4/2011  | Tien et al.    |                        |

**FOREIGN PATENT DOCUMENTS**

|    |               |    |        |
|----|---------------|----|--------|
| CN | 205215354     | U  | 5/2016 |
| WO | WO-0167979    | A1 | 9/2001 |
| WO | WO-2016058078 | A1 | 4/2016 |

**OTHER PUBLICATIONS**

International Search Report and Written Opinion dated Aug. 30, 2017, by ISA, re PCT International Patent Application No. PCT/IB2017/051604.

\* cited by examiner

*Primary Examiner* — Antoine Duval Davis

(74) *Attorney, Agent, or Firm* — Perry + Currier, Inc.

(57) **CLAIM**

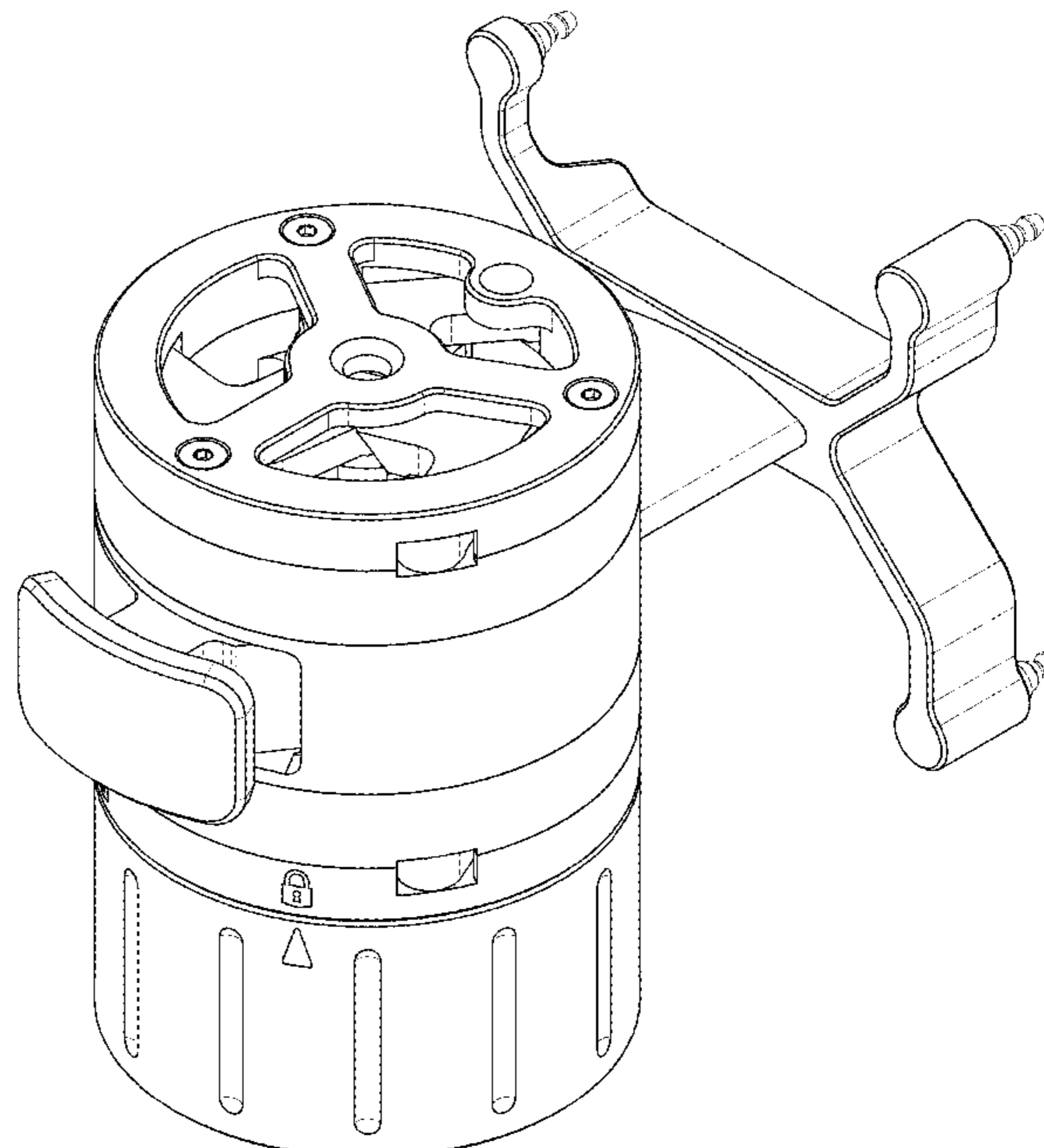
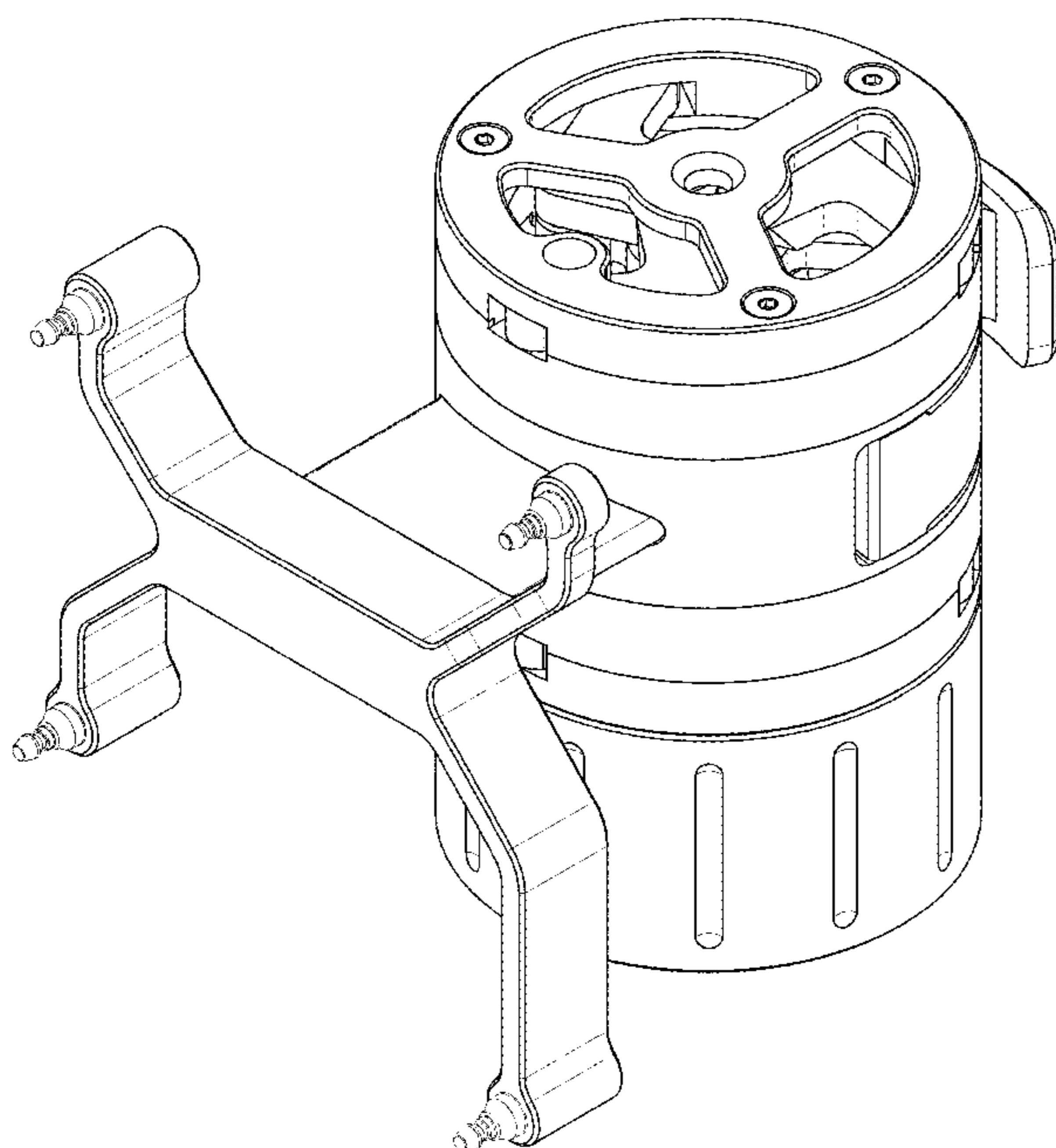
We claim the ornamental design for a calibration apparatus, as shown and described.

**DESCRIPTION**

FIG. 1 is a front perspective view of a calibration apparatus, showing our new design;  
FIG. 2 is a back perspective view thereof;  
FIG. 3 is a front elevation view thereof;  
FIG. 4 is a right side elevation view thereof;  
FIG. 5 is a back elevation view thereof;  
FIG. 6 is a left side elevation view thereof;  
FIG. 7 is a top plan view thereof; and,  
FIG. 8 is a bottom plan view thereof.

The broken lines immediately adjacent to the claim, represent the bounds of the claim while all other broken lines are directed to environment; the broken lines form no part of the claimed design.

**1 Claim, 8 Drawing Sheets**



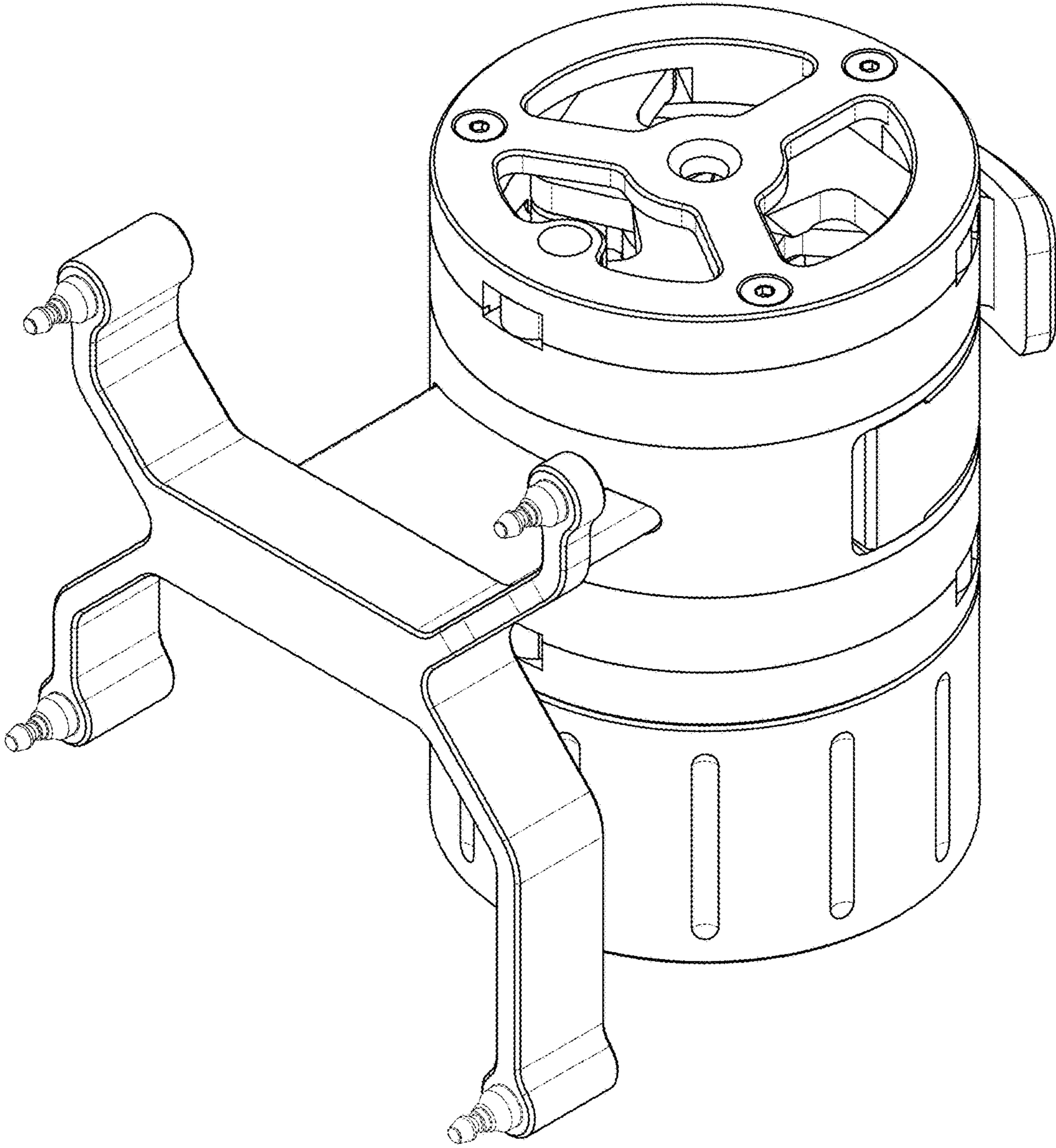


FIG. 1

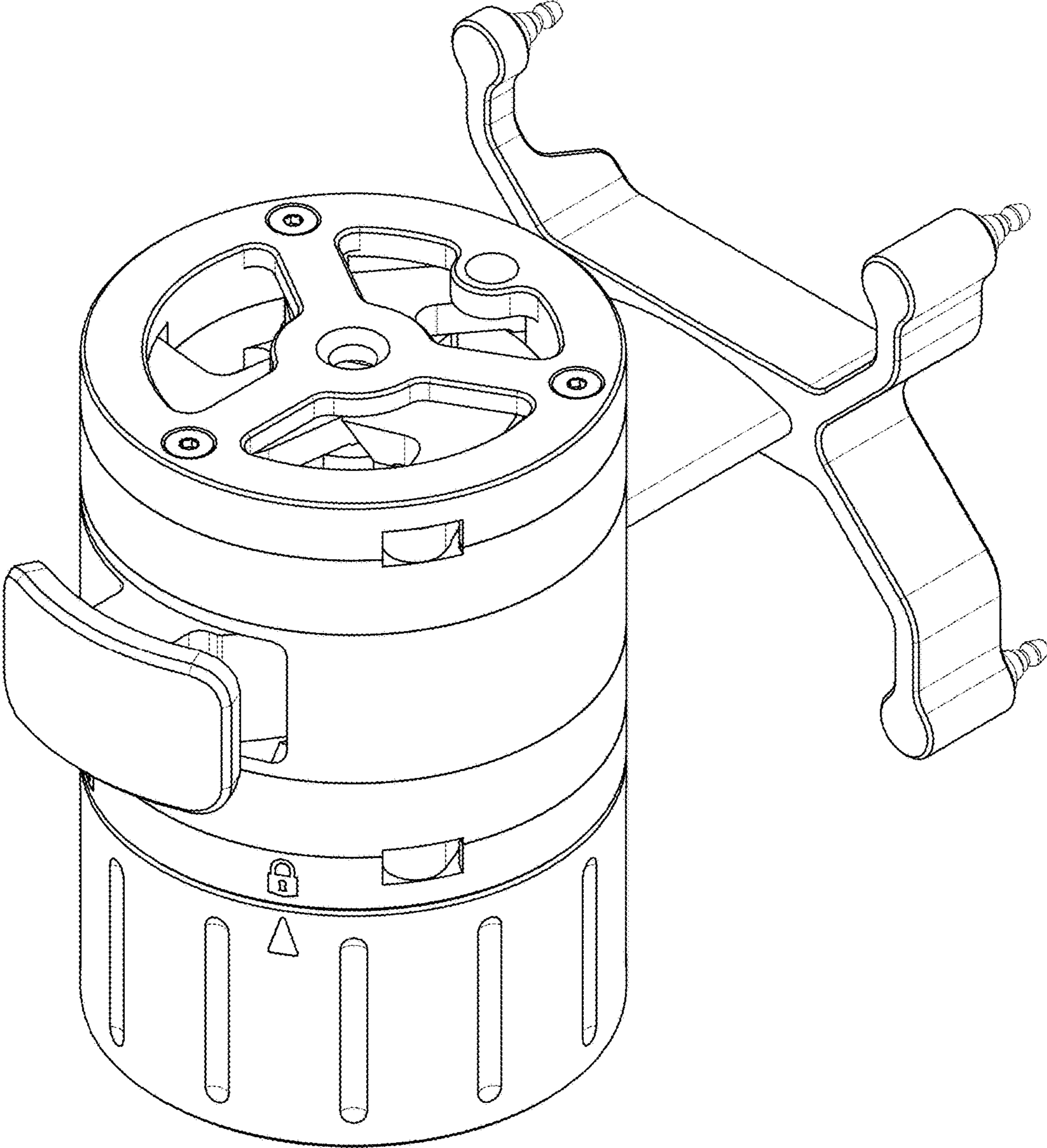


FIG.2



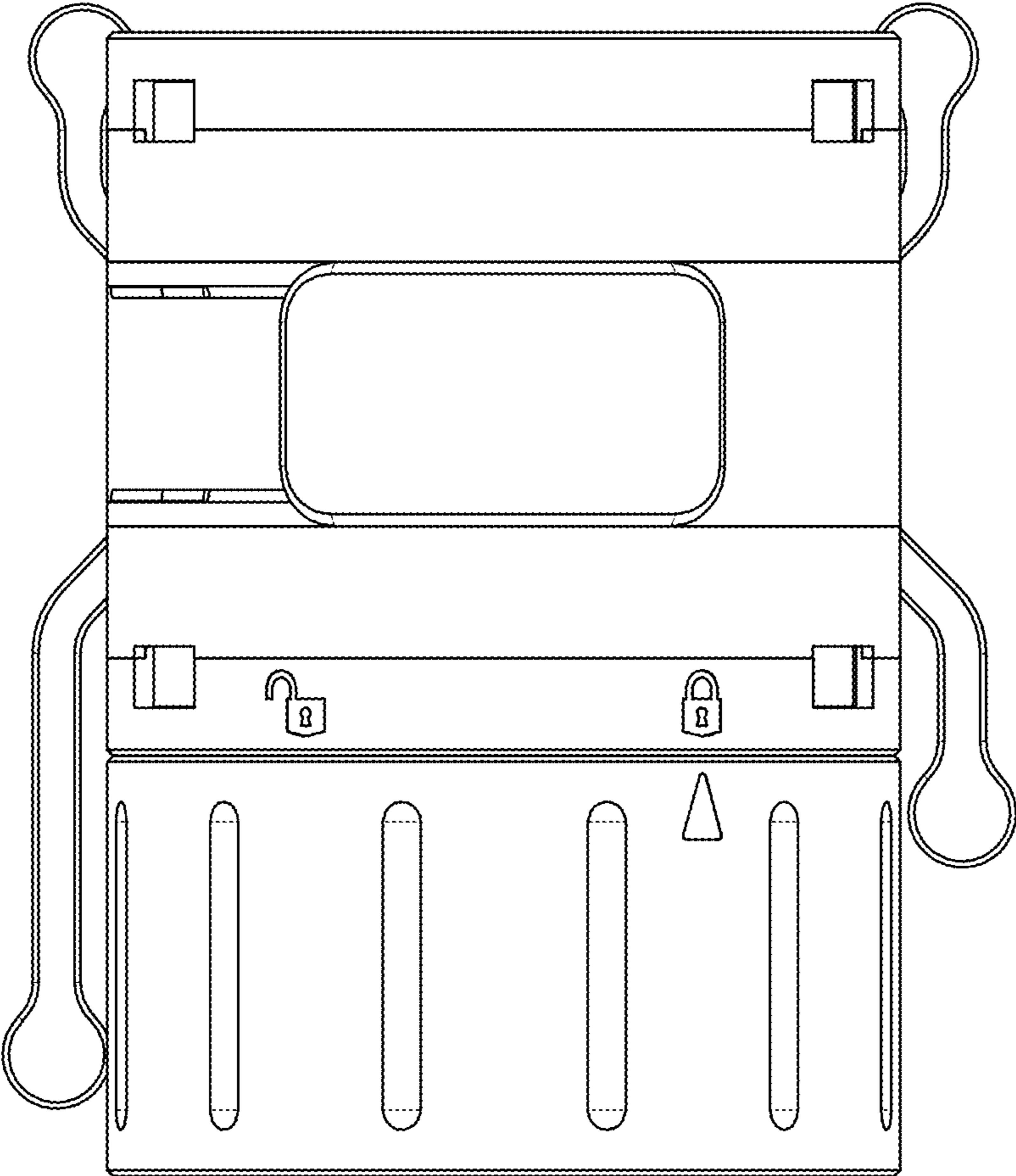


FIG.3

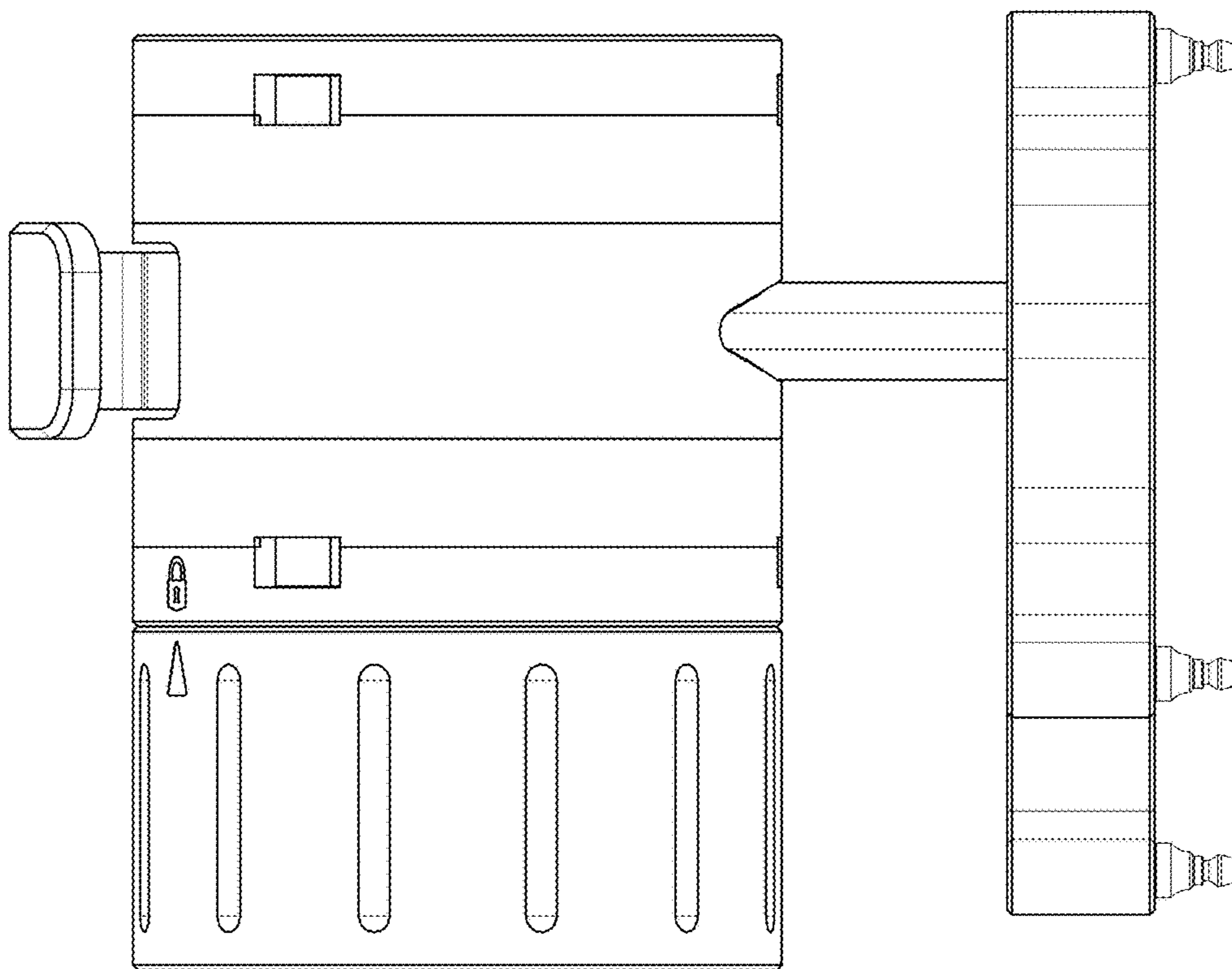


FIG.4

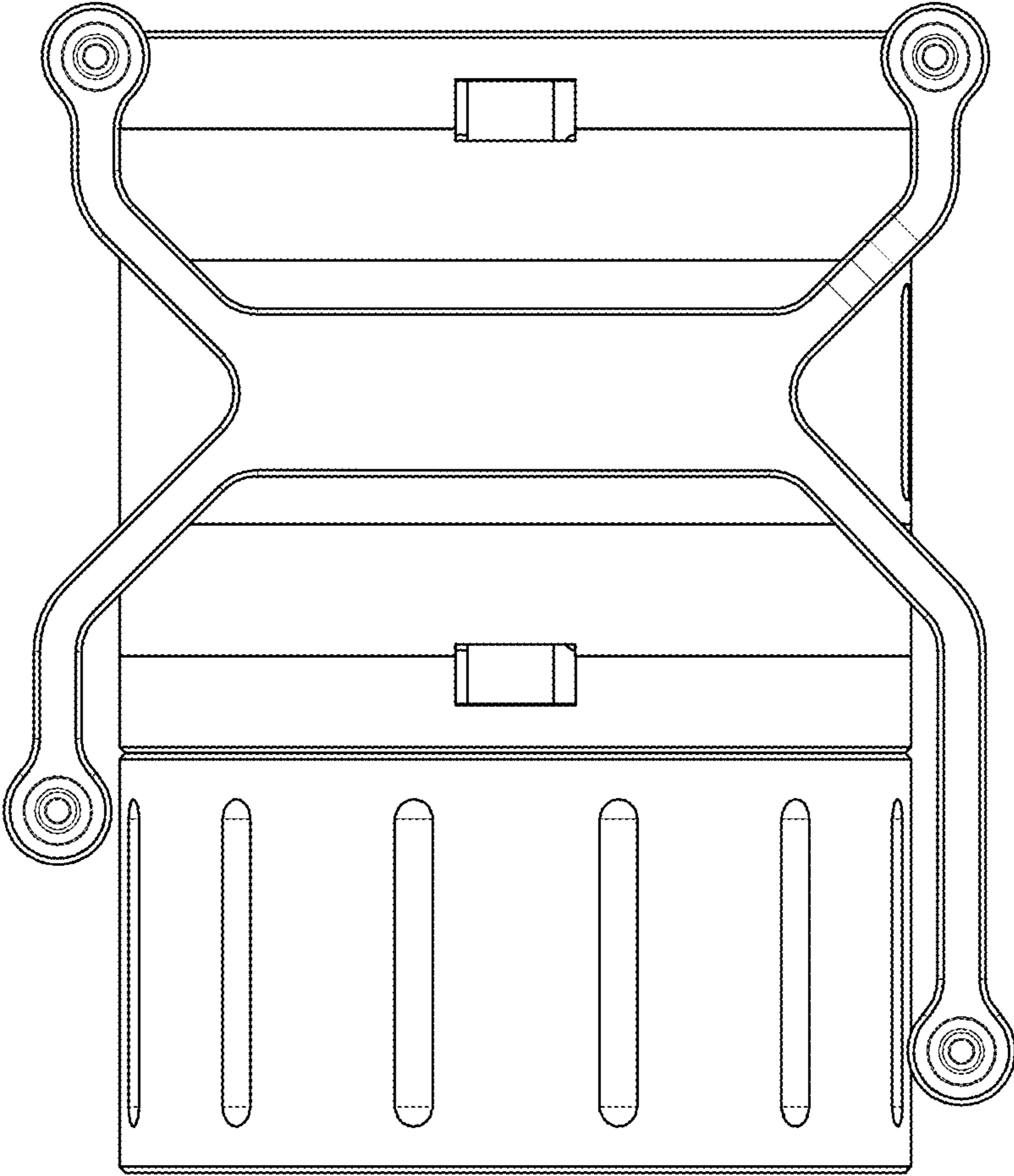


FIG.5

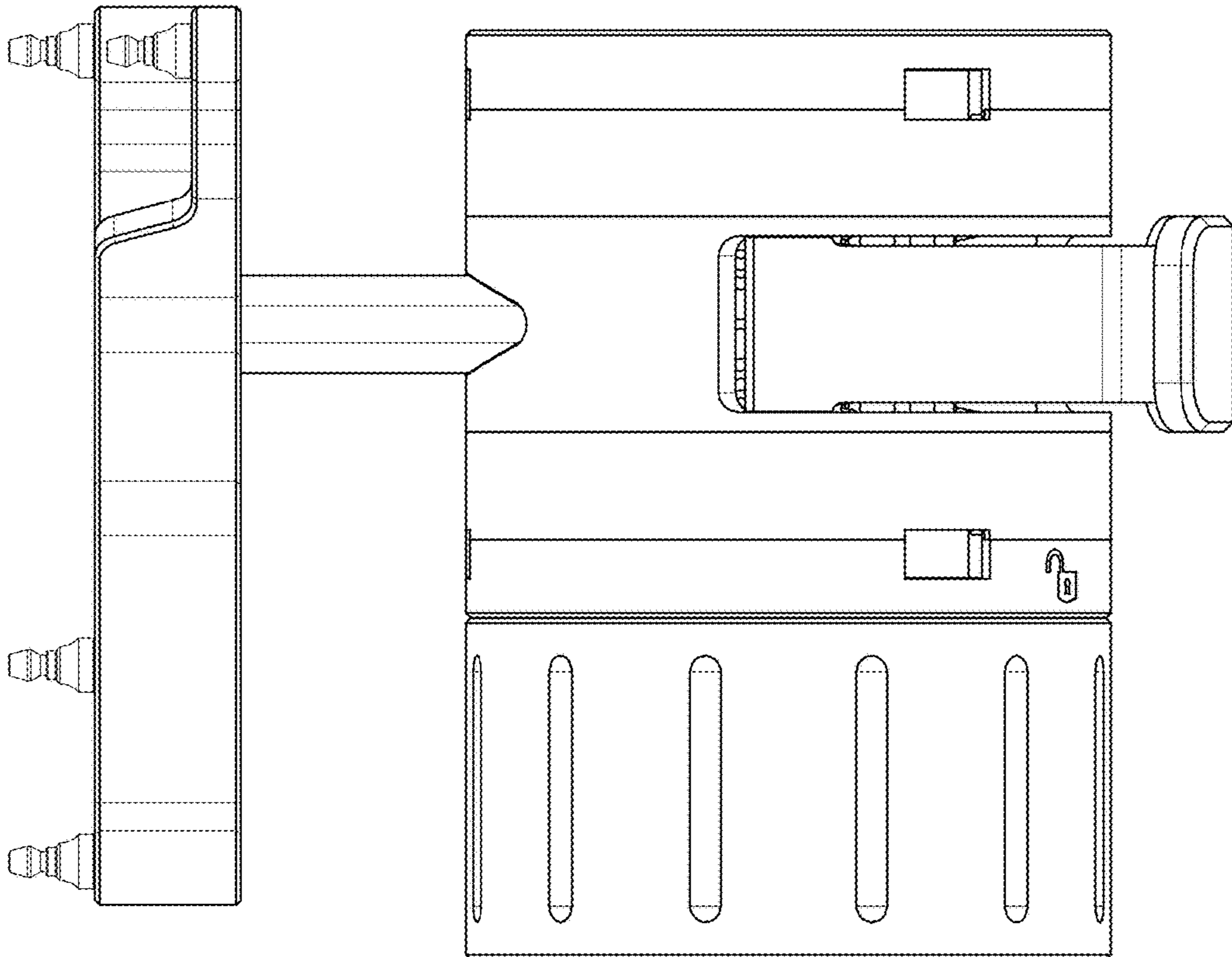


FIG.6

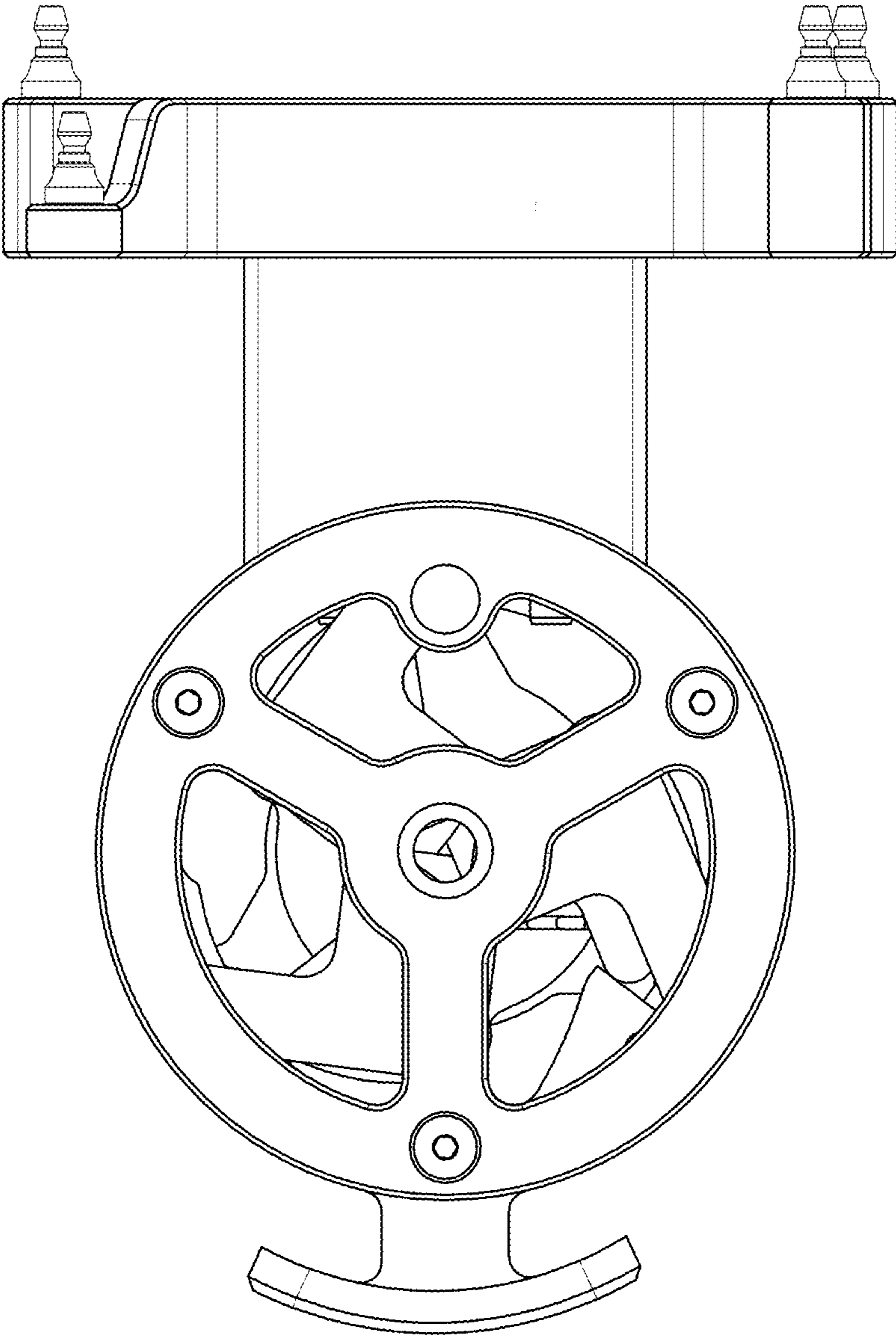


FIG.7



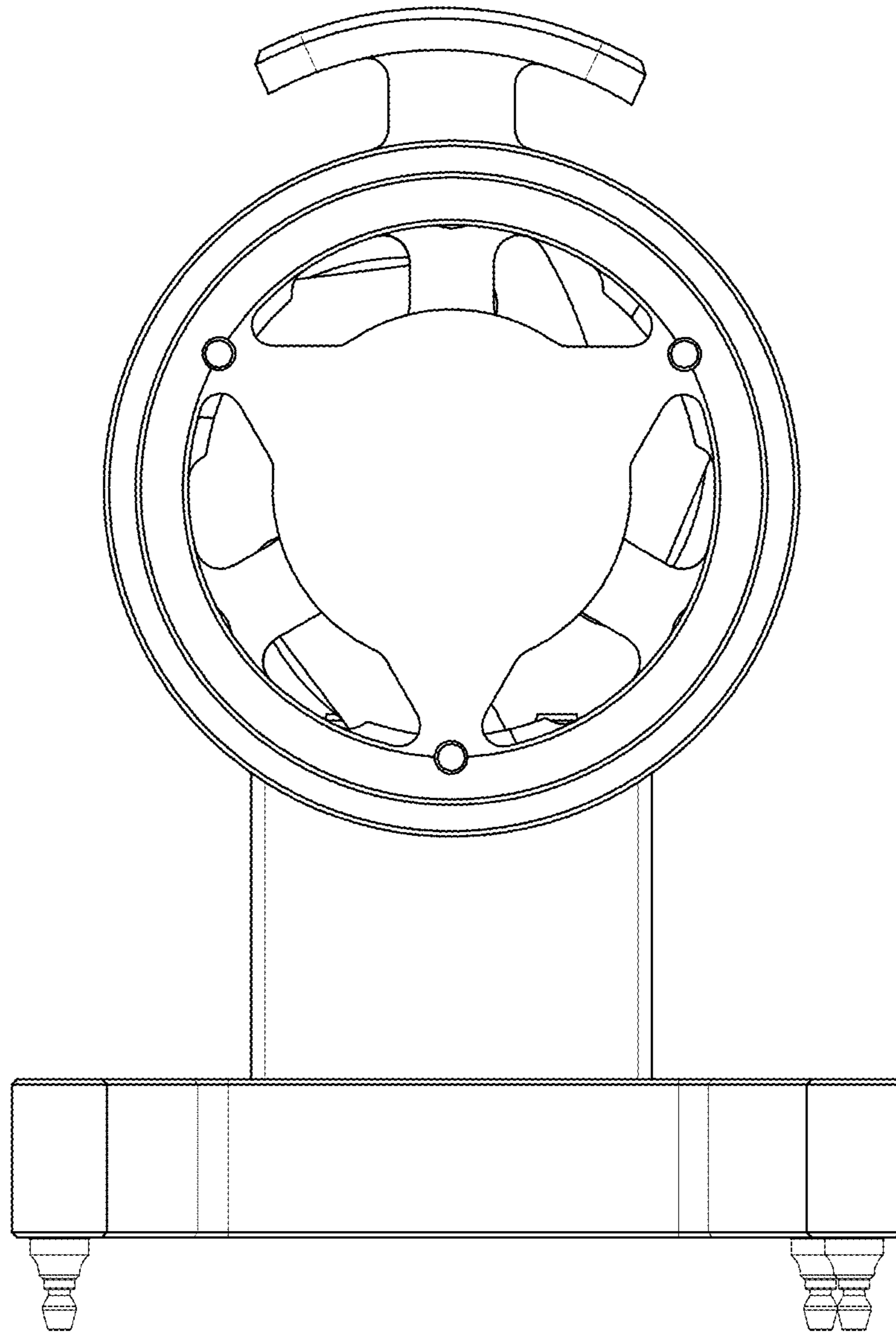


FIG. 8