



US00D820981S

(12) **United States Design Patent**
Johnson

(10) **Patent No.:** **US D820,981 S**
(45) **Date of Patent:** **** Jun. 19, 2018**

(54) **STETHOSCOPE CHESTPIECE**

(71) Applicant: **3M INNOVATIVE PROPERTIES COMPANY**, St. Paul, MN (US)

(72) Inventor: **Mary Jo Johnson**, Lake Elmo, MN (US)

(73) Assignee: **3M Innovative Properties Company**, St. Paul, MN (US)

(**) Term: **15 Years**

(21) Appl. No.: **29/545,998**

(22) Filed: **Nov. 18, 2015**

(51) **LOC (11) Cl.** **24-02**

(52) **U.S. Cl.**
USPC **D24/134**

(58) **Field of Classification Search**

USPC D24/134; D8/358, 359, 375; D14/484; D3/24; D12/501; D15/67

CPC A61B 7/02; A61B 7/04; A61B 7/00; A61B 7/003; A61B 5/024; A61B 5/08; A61B 5/0816; A61B 8/0883

See application file for complete search history.

(56) **References Cited**

U.S. PATENT DOCUMENTS

D389,575	S *	1/1998	Grasfield	D24/134
5,960,089	A *	9/1999	Bouricius	A61B 7/04
					381/67
D452,736	S *	1/2002	Werblud	D24/134
D740,415	S *	10/2015	Johnson	D24/134
9,414,803	B1 *	8/2016	Naqvi	A61B 7/04
2001/0042656	A1 *	11/2001	Deslauriers	A61B 7/02
					181/131
2008/0093157	A1 *	4/2008	Drummond	A61B 7/02
					181/131
2014/0254814	A1 *	9/2014	Van Alstine	A61B 7/02
					381/67

OTHER PUBLICATIONS

ADC Cardiology Scope posted on Mar. 4, 2013 by American Diagnostics Found on Feb. 21, 2017 at <https://www.youtube.com/watch?v=FJfejD691Uw>.*

Screen shot Littmann Stethoscope posted by DrER.tv on Feb. 26, 2012 found on Jan. 30, 2017 at <https://www.youtube.com/watch?v=kRreQGv-c7s>.*

Littmann Stethoscope Found in Min 2:52 to 3:04 posted by DrER.tv on Feb. 26, 2012 found on Jan. 30, 2017 at <https://www.youtube.com/watch?v=kRreQGv-c7s>.*

3M Littman Stethoscope posted by DrER.tv on Feb. 26, 2012 minute 2:52-3:03 found on Sep. 28, 2017 at <https://www.youtube.com/watch?v=kRreQGv-c7s&t=190s>.*

3M Littman Stethoscope posted by Audrey O. May 7, 2006 at https://www.amazon.com/3M-Littmann-Cardiology-Stethoscope-3131BE/dp/B004QEZ2U4/ref=as_li_ss_tl?ie=UTF8&qid=1467846691&sr=8-1&keywords=3M+Littmann+Cardiology+III+Stethoscope&linkCode=s11&tag=thedexitvideo-20&linkId=4f6539a9c19efbeb77cdf1605a02de0d.*

(Continued)

Primary Examiner — Janice Hallmark

Assistant Examiner — Eliza Z Bennett-Hattan

(57) **CLAIM**

The ornamental design for a stethoscope chestpiece, as shown and described.

DESCRIPTION

FIG. 1 is a perspective view of a stethoscope chestpiece;

FIG. 2 is a front view thereof;

FIG. 3 is a top view thereof;

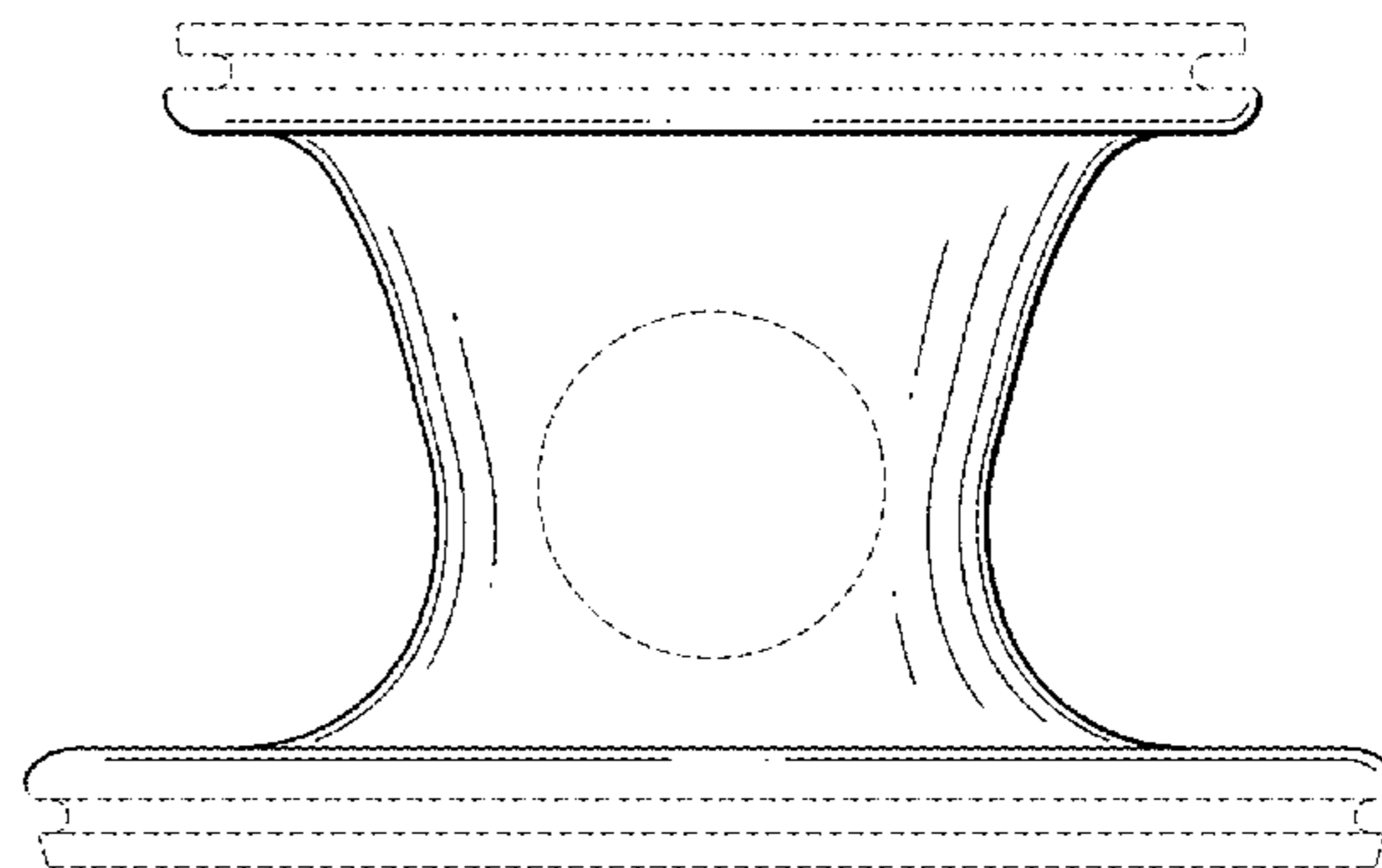
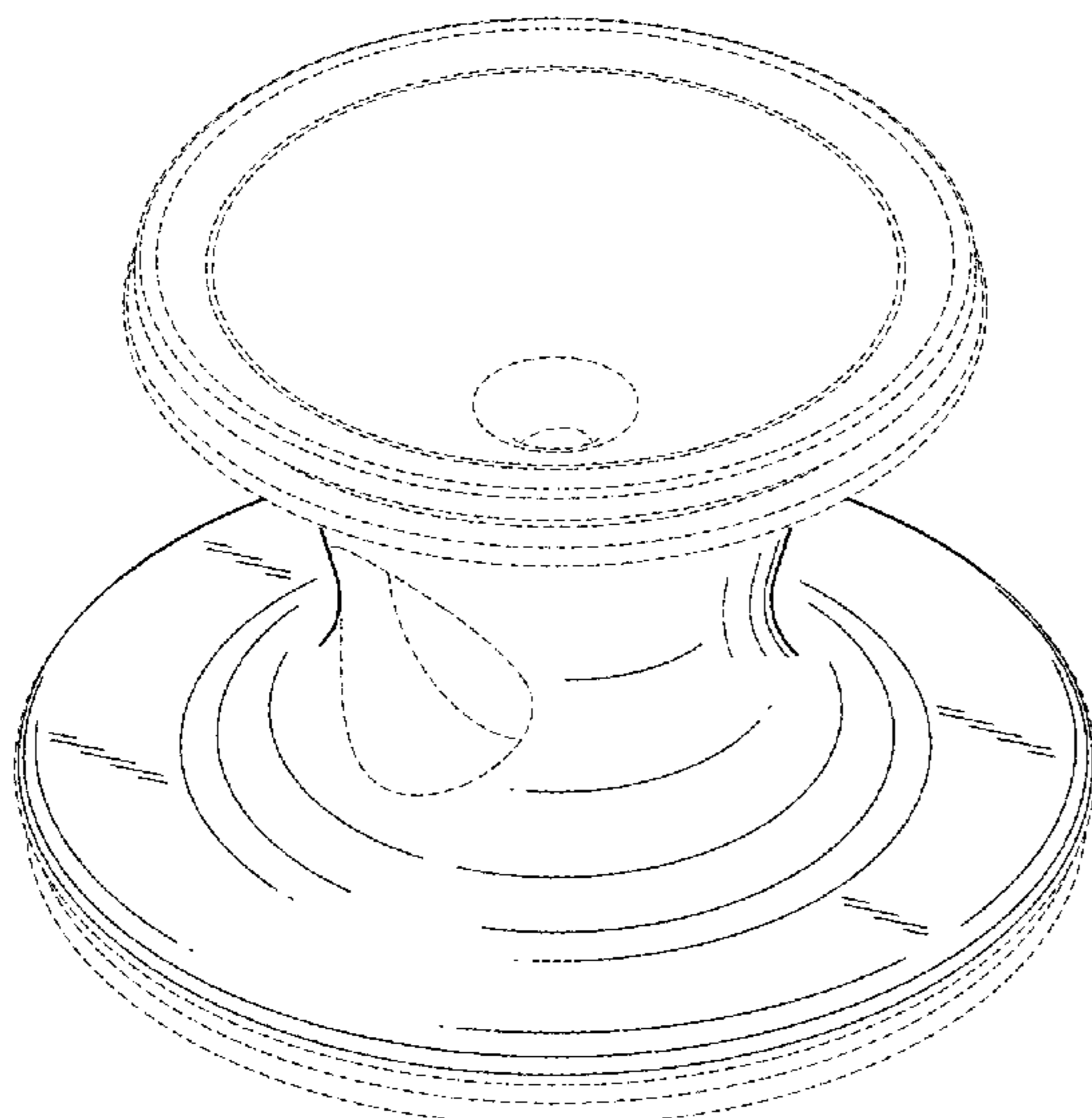
FIG. 4 is a left side view thereof, a right side view being a mirror image thereof;

FIG. 5 is a bottom view thereof; and,

FIG. 6 is a rear view thereof.

The portions of the stethoscope chestpiece in FIGS. 1-6 shown in broken lines are included to show features that form no part of the claimed design.

1 Claim, 3 Drawing Sheets



(56)

References Cited

OTHER PUBLICATIONS

3M Littmann Cardiology III published by 3M Littmann on Oct. 14, 2010 found on Mar. 14, 2018 at <https://www.amazon.com/3M-Littmann-Cardiology-Stethoscope-3140/dp/B00445UZ0W#customerReviews>.*

Design Gazette(S), JP1526579, Pub. Jun. 15, 2015.

CeBeCeSymphony, p. 1, No. HD09007965.

3MTM Littmann® Cardiology III, 3M Littmann® Classic U.S.E. www.3m.com, New Special Edition Stethoscopes, Brass Finish/Black Tubing.

Littmann Cardiology III Stethoscope photo; downloaded on Jan. 5, 2018 from <https://www.expressmed.com/photos/product/giant/739590S197290/stethoscopes-littmann-cardiology-iii-stethoscope.jpg>.

* cited by examiner

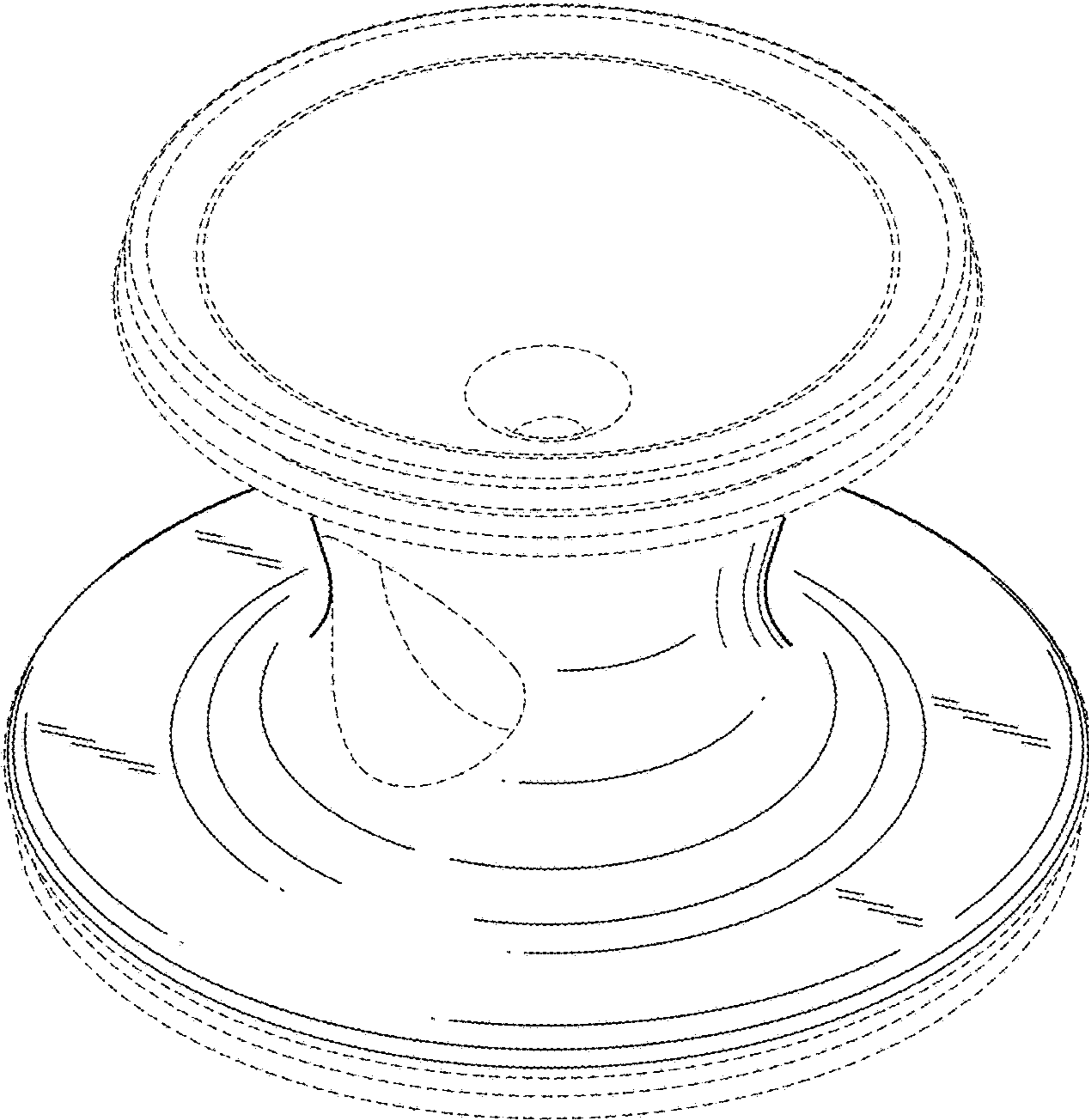


FIG. 1

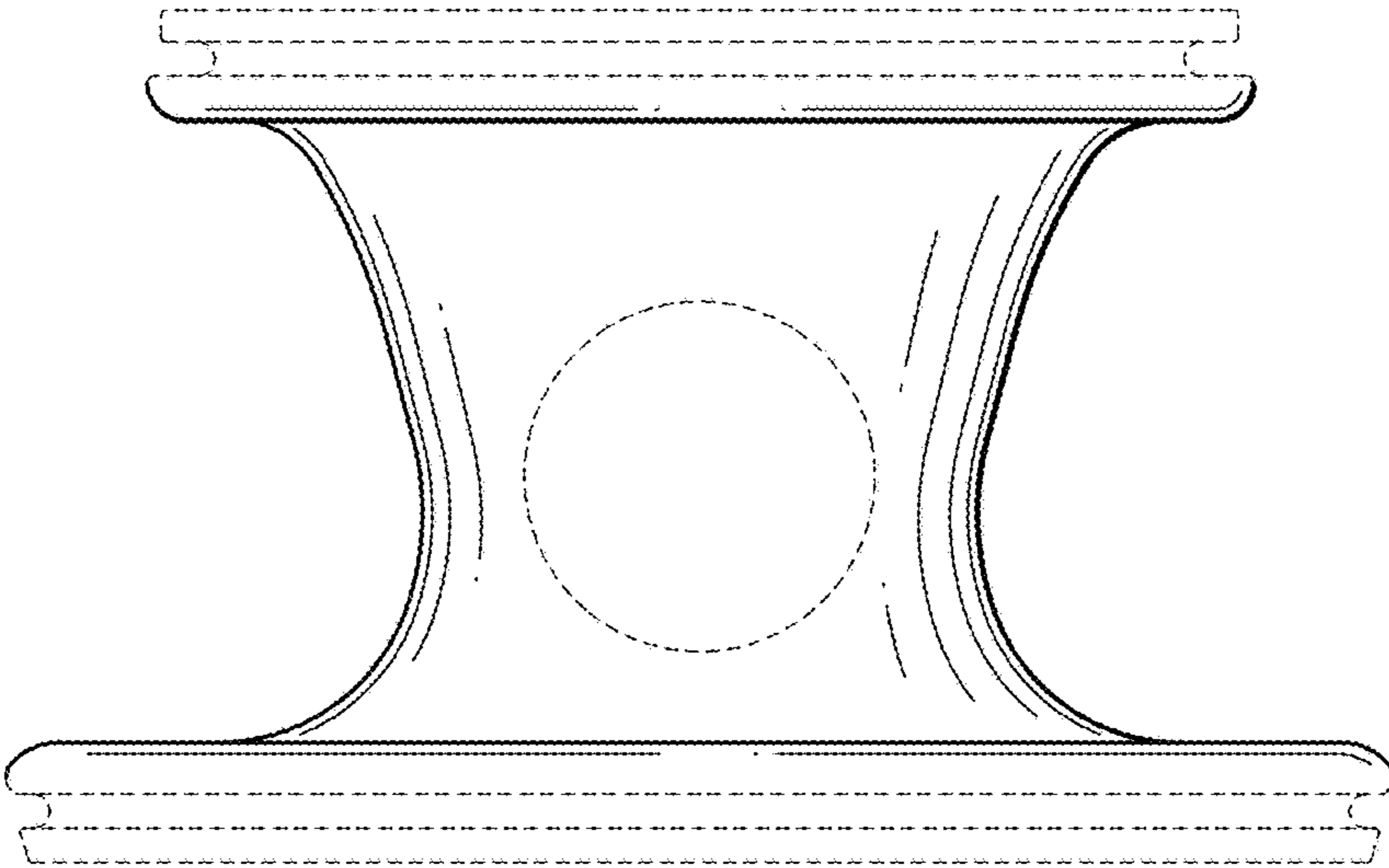


FIG. 2

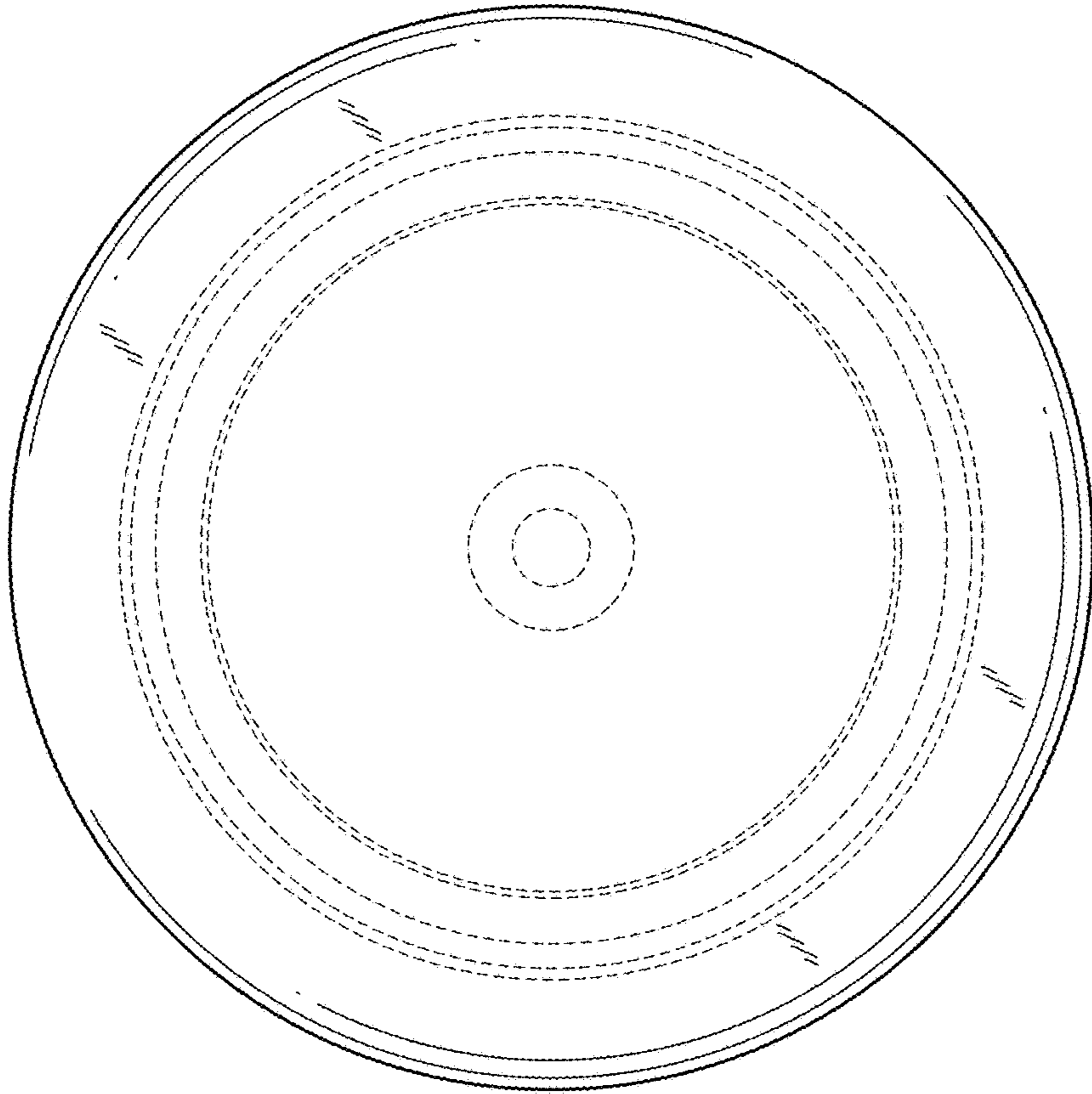


FIG. 3

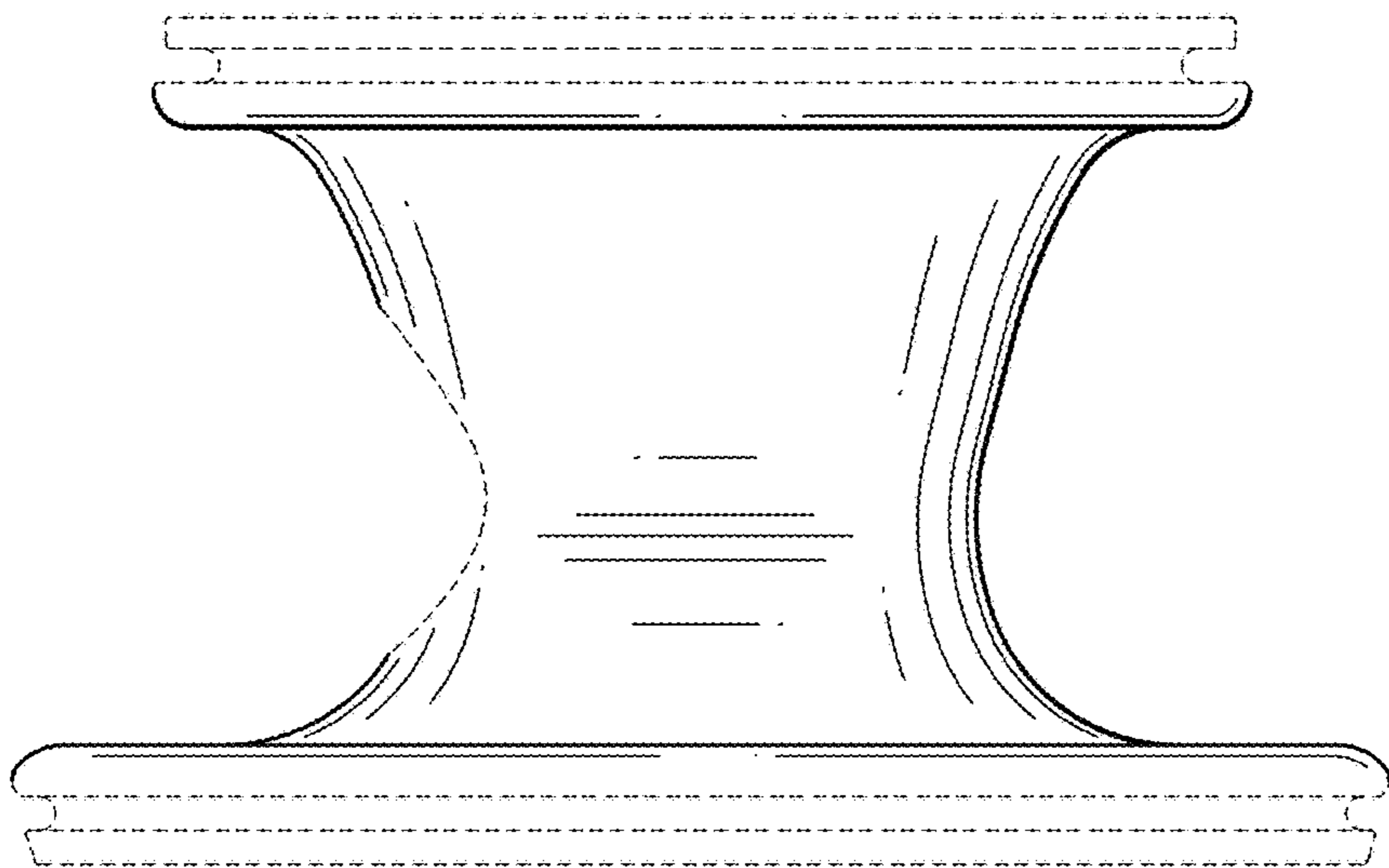


FIG. 4

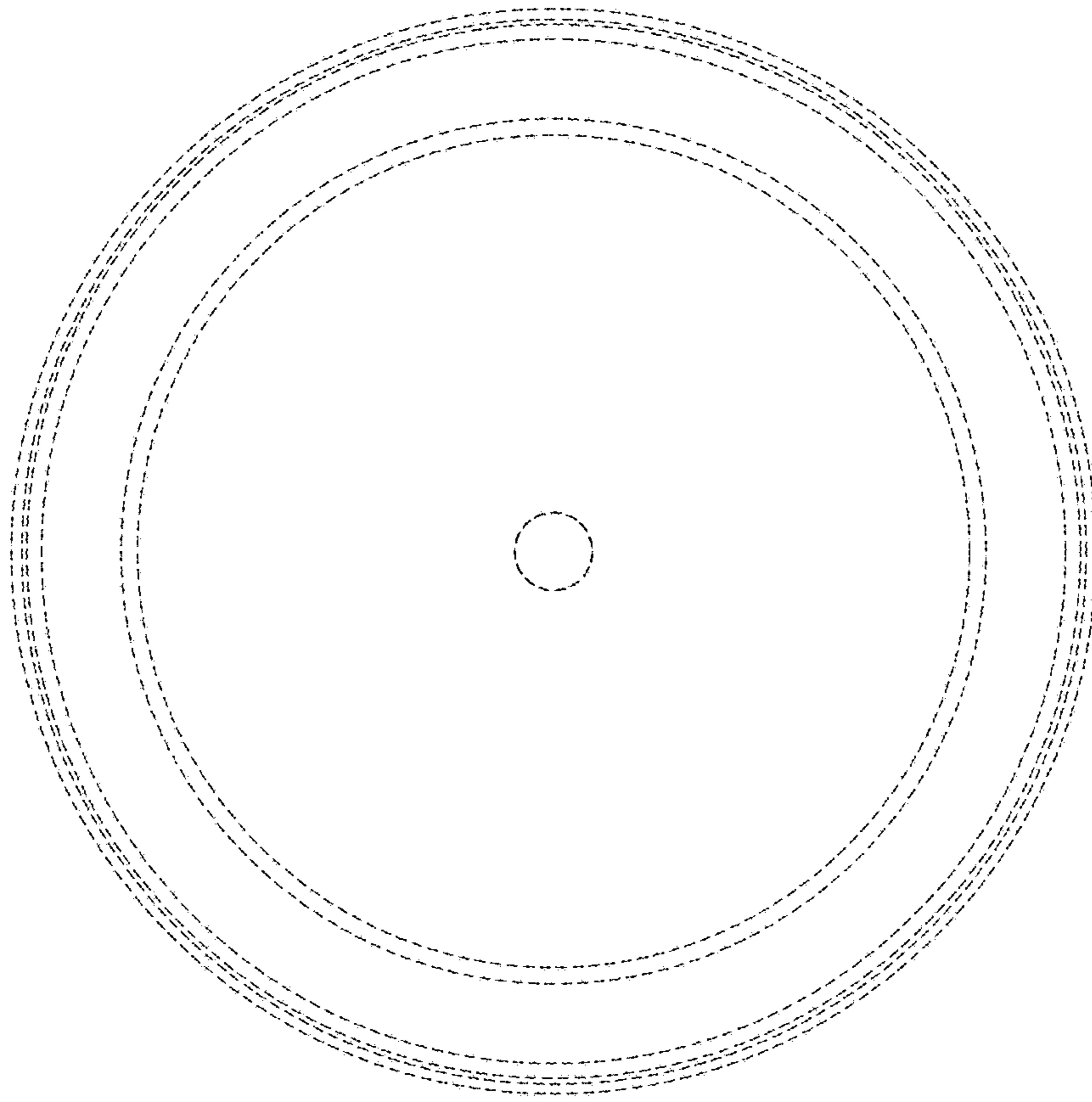


FIG. 5

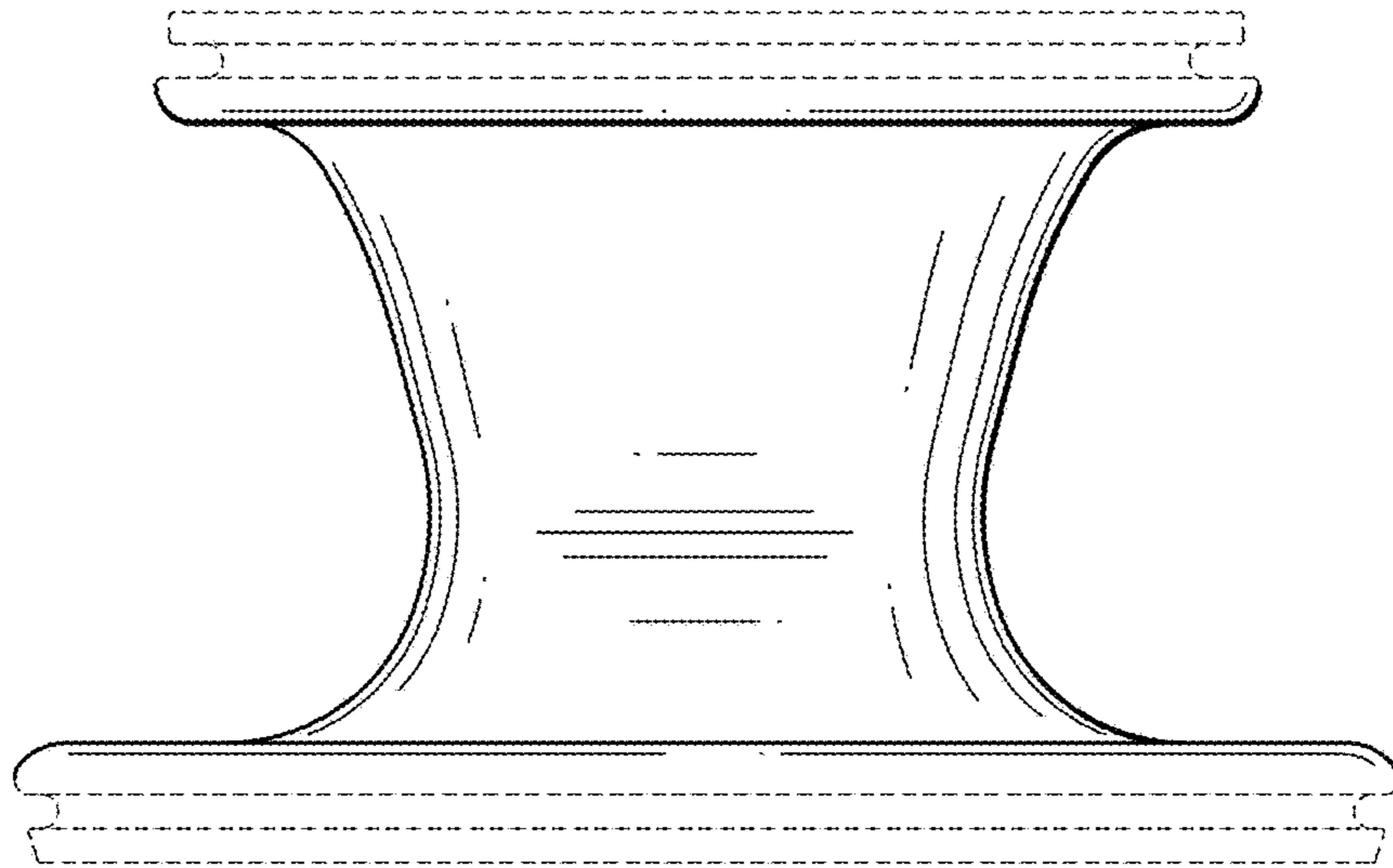


FIG. 6