



US00D820980S

(12) **United States Design Patent**
Maurice

(10) **Patent No.:** **US D820,980 S**
(45) **Date of Patent:** **** Jun. 19, 2018**

- (54) **ENDOSCOPE CONNECTOR**
- (71) Applicant: **ERBE-USA, Inc.**, Marietta, GA (US)
- (72) Inventor: **Daniel G. Maurice**, Monument Beach, MA (US)
- (73) Assignee: **ERBE-USA, Inc.**, Marietta, GA (US)
- (**) Term: **15 Years**
- (21) Appl. No.: **29/605,344**
- (22) Filed: **May 25, 2017**

- D472,630 S * 4/2003 Douglas D24/108
- D496,998 S * 10/2004 Pajunk D24/129
- D612,496 S 3/2010 Bennison
- D613,403 S 4/2010 Poll et al.
- D624,181 S 9/2010 Harata et al.
- D636,079 S 4/2011 Leybold et al.
- D652,923 S 1/2012 Kennedy et al.
- D657,870 S 4/2012 Becker
- 8,152,790 B2 4/2012 Lopez et al.
- 8,206,375 B2 6/2012 Snow
- D676,544 S * 2/2013 Blocher D24/108
- D678,521 S 3/2013 Mort et al.
- D693,465 S 11/2013 Koehler et al.
- 8,764,642 B2 7/2014 Bendele et al.
- D712,014 S 8/2014 Guest
- D717,432 S 11/2014 Leroy et al.
- D719,650 S 12/2014 Arinobe et al.
- D732,664 S 6/2015 Woehr et al.

(Continued)

Related U.S. Application Data

- (62) Division of application No. 29/548,906, filed on Dec. 17, 2015, now Pat. No. Des. 791,310, which is a division of application No. 29/485,453, filed on Mar. 19, 2014, now Pat. No. Des. 750,236.
- (51) **LOC (11) Cl.** **24-02**
- (52) **U.S. Cl.**
USPC **D24/129**
- (58) **Field of Classification Search**
USPC D24/127, 128, 129, 130, 131, 138;
600/101, 104, 164; 606/46; D8/16, 18,
D8/19, 20, 376, 363
CPC A61B 17/320016; A61B 17/0057
See application file for complete search history.

(56) **References Cited**

U.S. PATENT DOCUMENTS

- D239,025 S 3/1976 D'Alo
- D245,921 S 9/1977 Beran
- D271,618 S 11/1983 Nishigaki
- D302,729 S 8/1989 Stephens et al.
- 5,151,101 A 9/1992 Grossi et al.
- D340,316 S * 10/1993 Zdrok D24/110.5
- 6,210,322 B1 4/2001 Byrne
- 6,485,412 B1 11/2002 Byrne

Primary Examiner — Garth Rademaker
Assistant Examiner — Samantha Q. Lawrence
(74) *Attorney, Agent, or Firm* — Cooley LLP

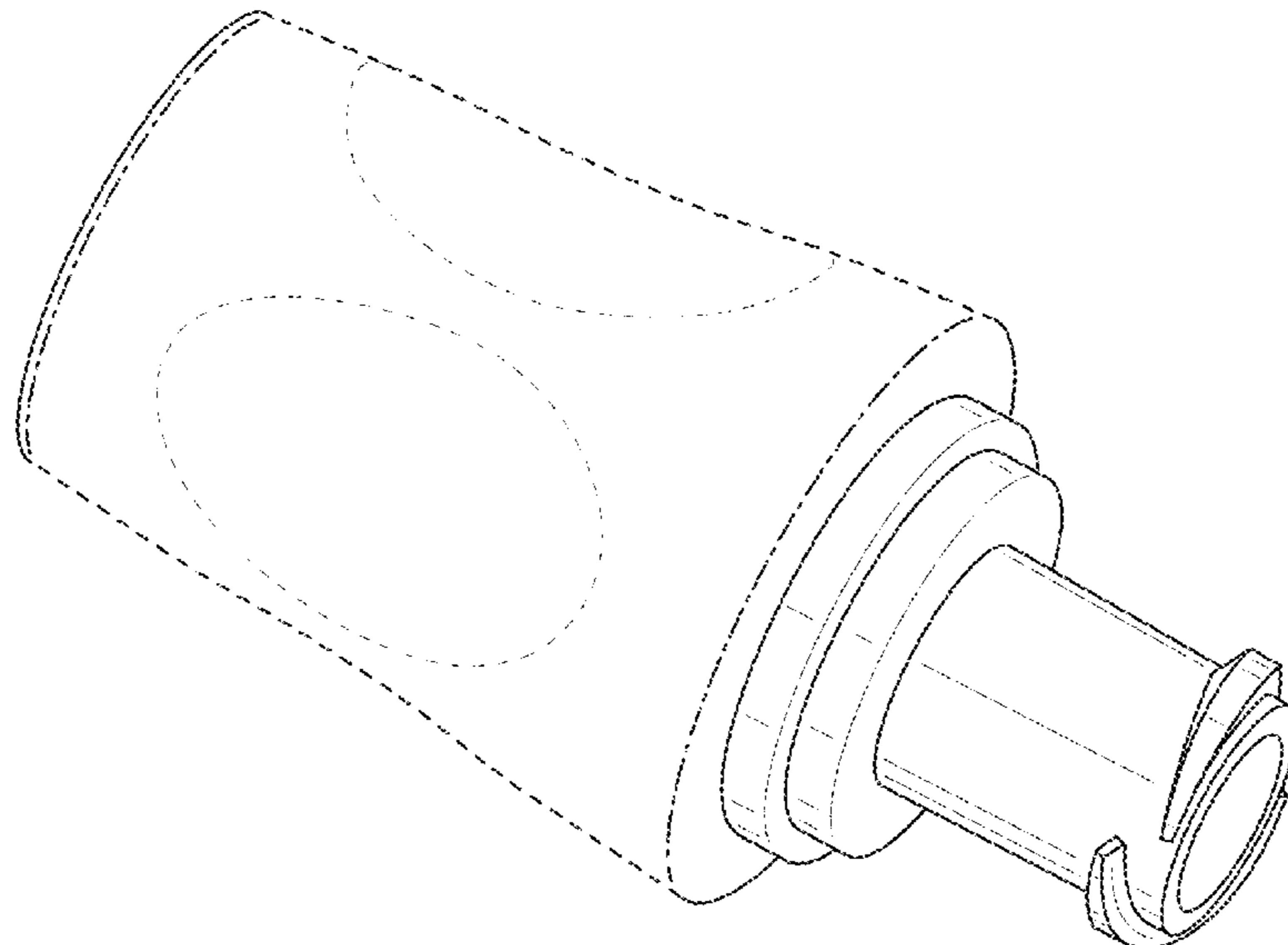
(57) **CLAIM**

The ornamental design for an endoscope connector, as shown and described.

DESCRIPTION

FIG. 1 is a perspective view of an endoscope connector; FIG. 2 is a second perspective view thereof; FIG. 3 is a front view thereof; FIG. 4 is a back view thereof; FIG. 5 is a top view thereof; FIG. 6 is a bottom view thereof; FIG. 7 is a left side view thereof; and, FIG. 8 is a right side view thereof. The broken lines shown in FIGS. 1-7 illustrate portions of the endoscope connector that form no part of the claimed design. The dash dot lines illustrate the boundary of the claimed design and form no part of the claimed design.

1 Claim, 5 Drawing Sheets



(56)

References Cited

U.S. PATENT DOCUMENTS

D739,527	S *	9/2015	Chauvette	D24/129
9,144,374	B2 *	9/2015	Maurice, Jr.	A61B 1/00128
D749,212	S *	2/2016	Chauvette	D24/129
D749,213	S *	2/2016	Chauvette	D24/129
D750,235	S *	2/2016	Maurice	D24/129
D750,236	S *	2/2016	Maurice	D24/129
D785,790	S *	5/2017	Lewis	D24/129
D791,310	S *	7/2017	Maurice	D24/129
D791,940	S *	7/2017	Maurice	D24/129
D793,551	S *	8/2017	Nelson	D24/129
D797,927	S *	9/2017	Schuessler	D24/129
D799,031	S *	10/2017	Barrett	D24/129
2010/0125164	A1	5/2010	LaBombard	
2012/0088974	A1	4/2012	Maurice	
2012/0091092	A1	4/2012	Adams et al.	
2012/0095391	A1	4/2012	Bendele et al.	
2014/0309496	A1	10/2014	Bendele et al.	
2014/0316205	A1	10/2014	Bendele et al.	

* cited by examiner

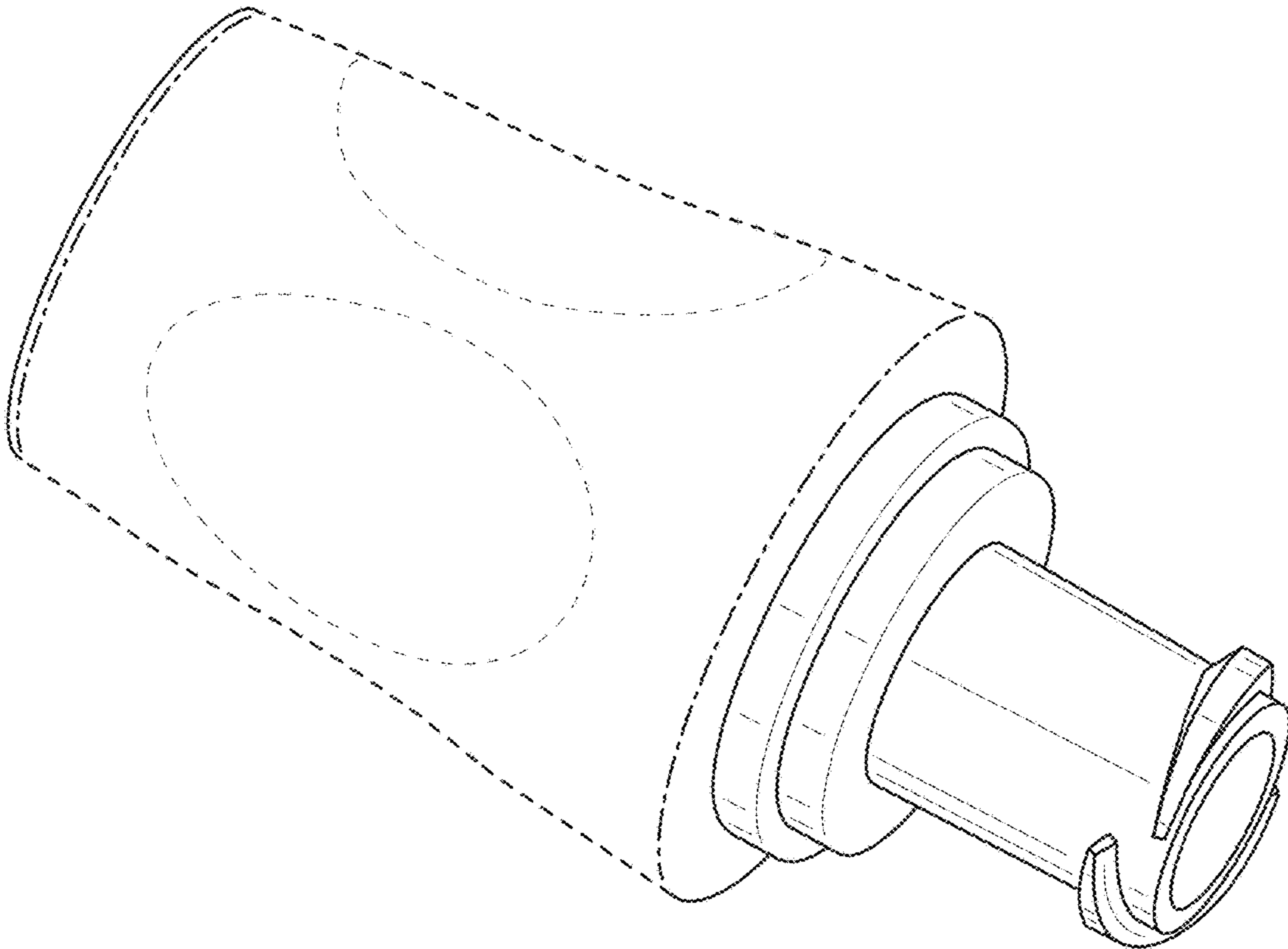


FIG. 1

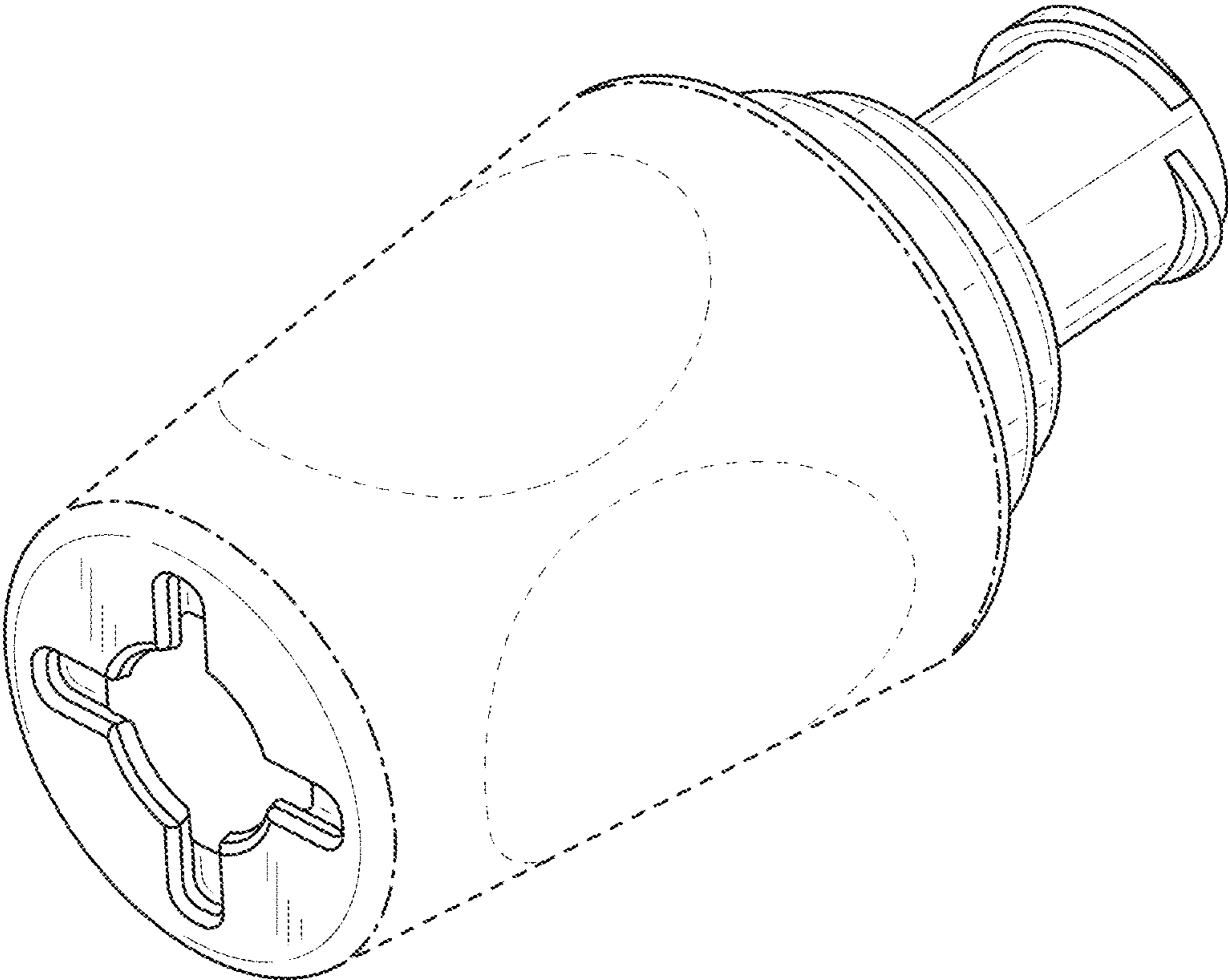


FIG. 2

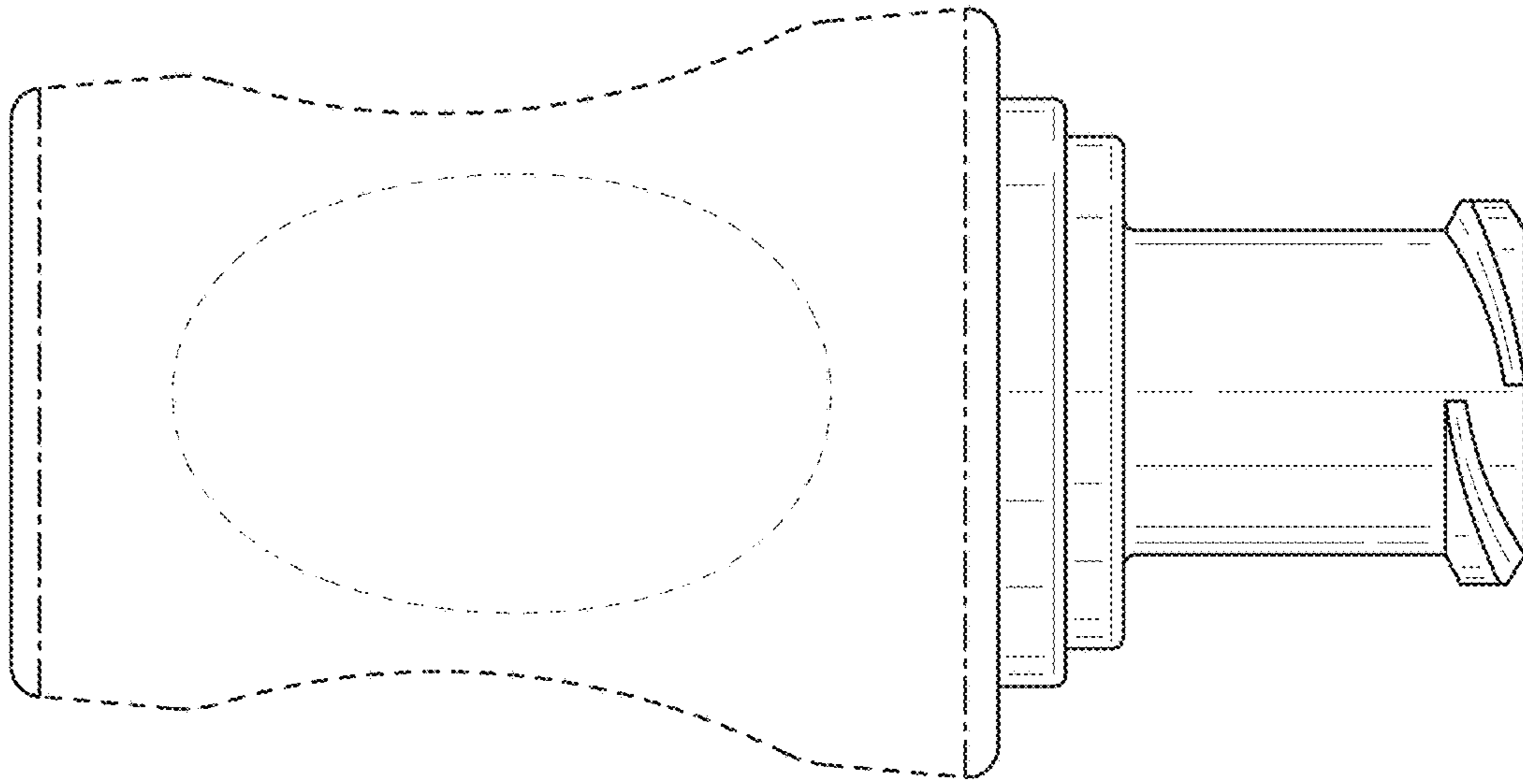


FIG. 3

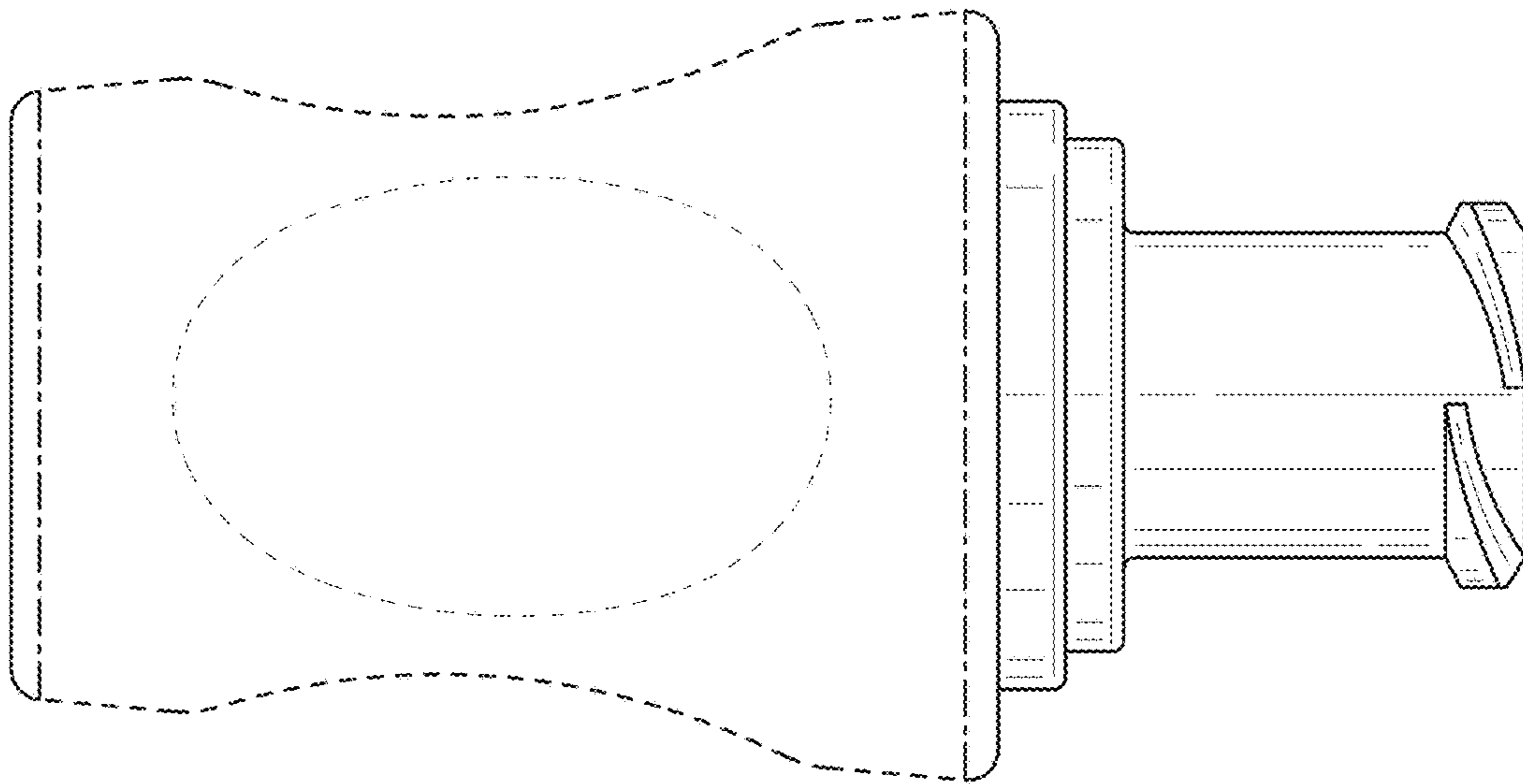


FIG. 4

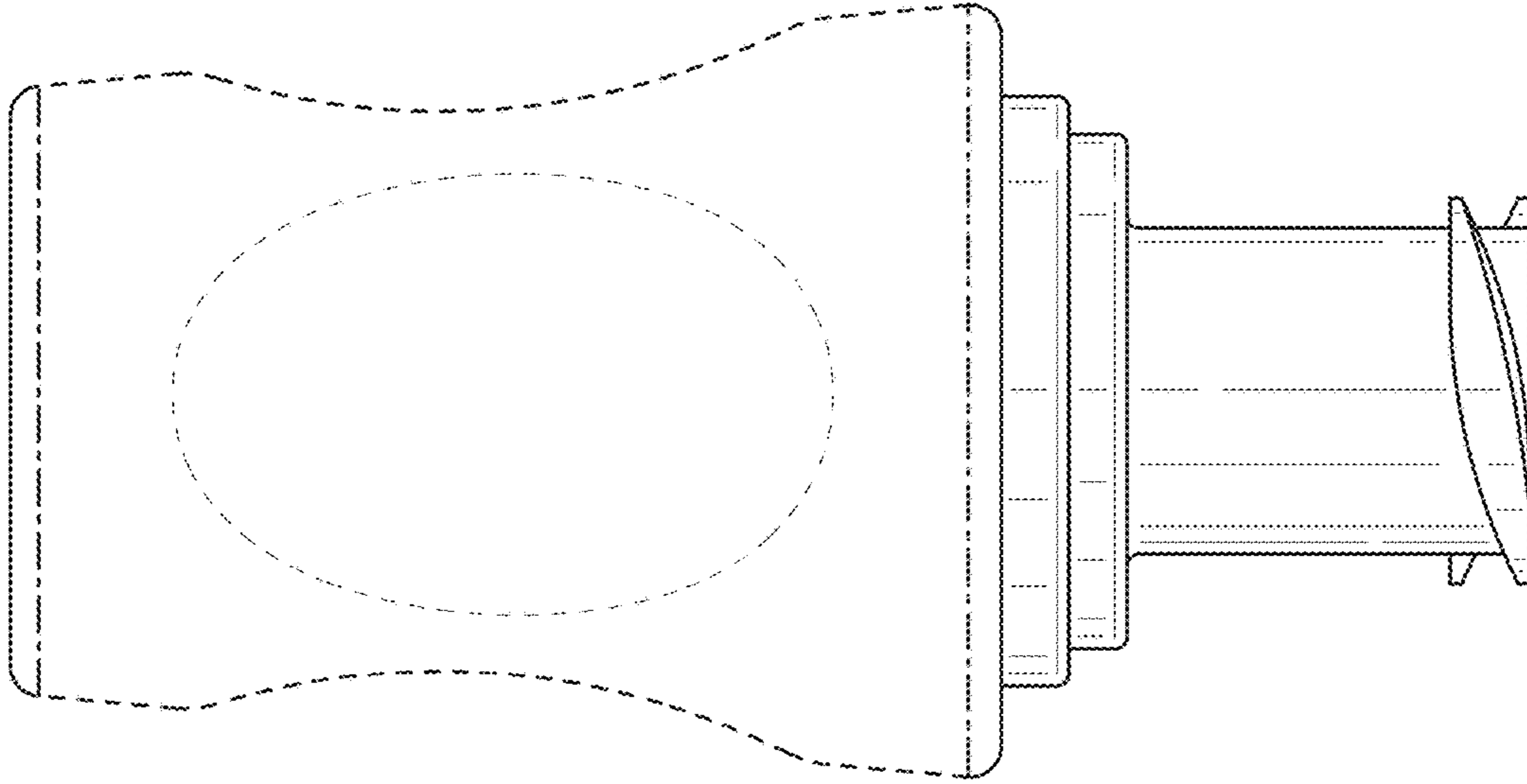


FIG. 5

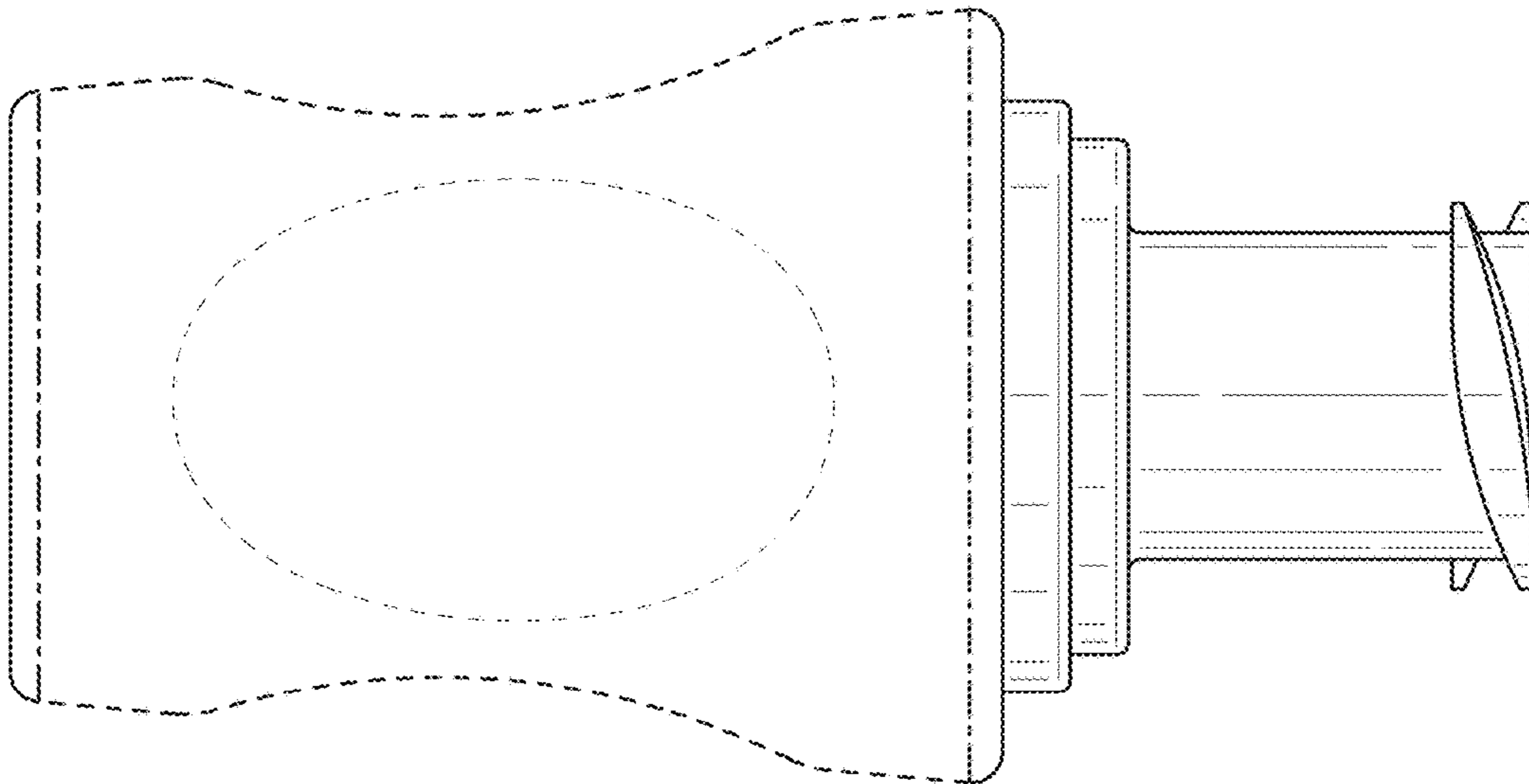


FIG. 6

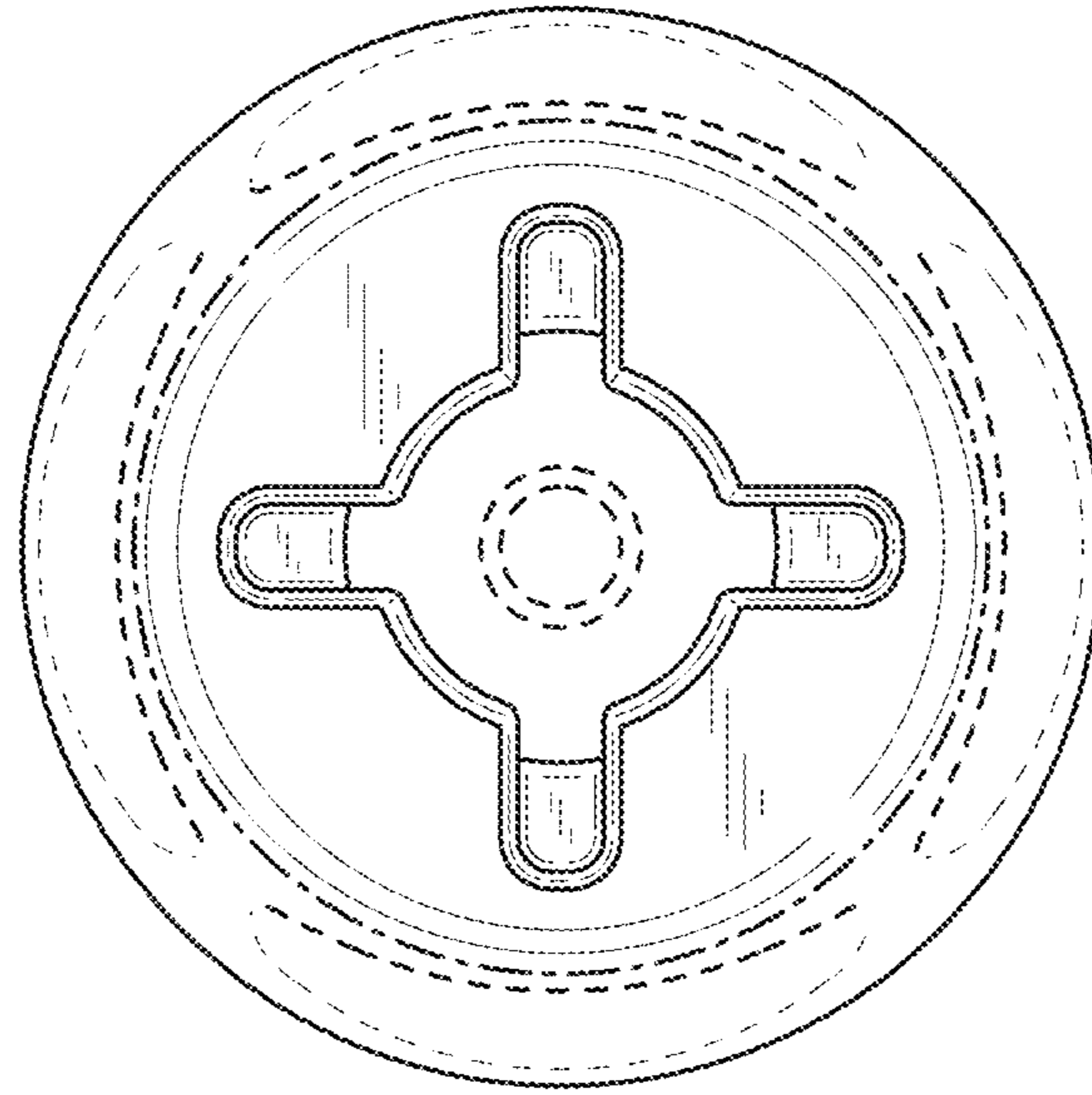


FIG. 7

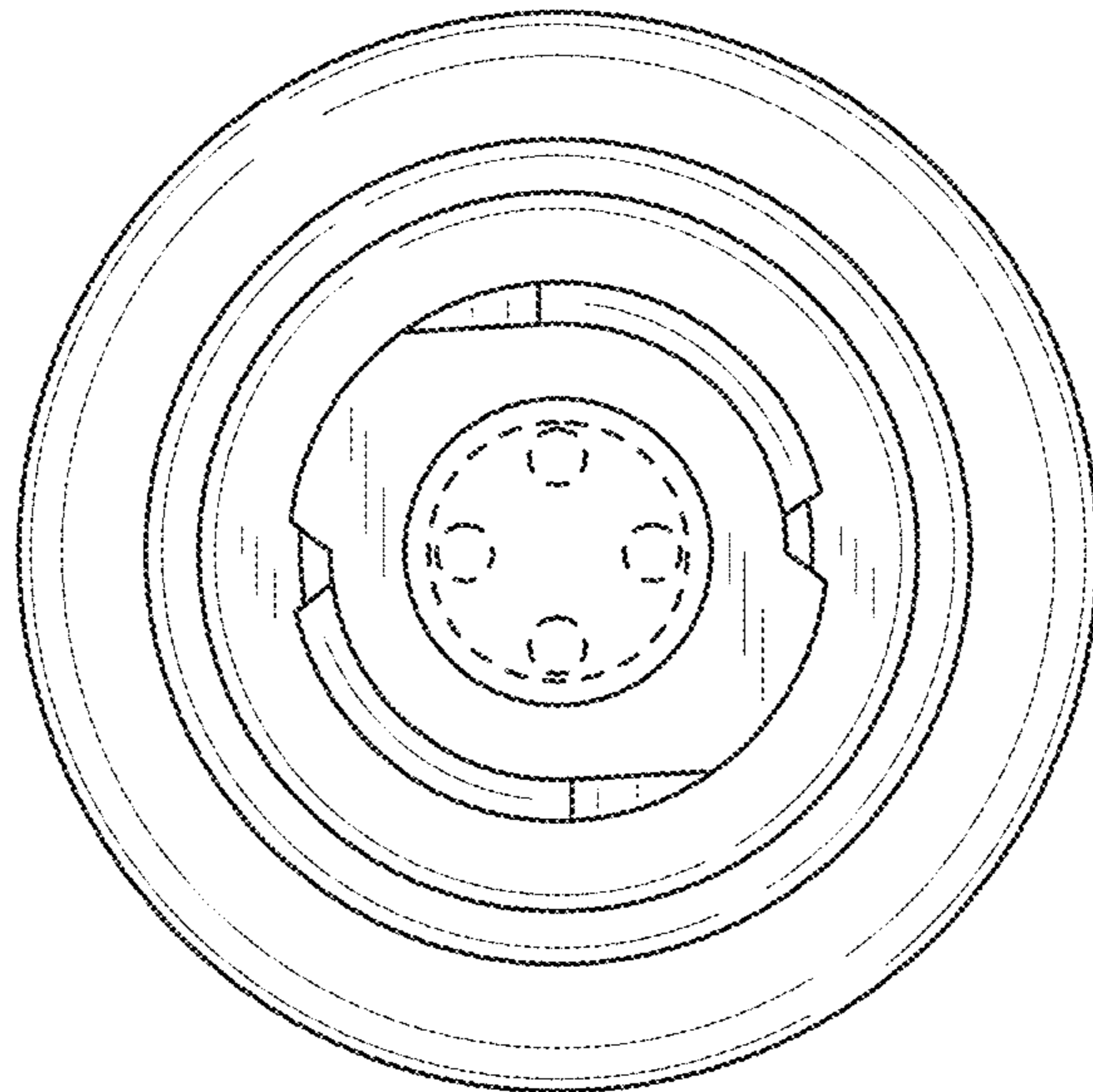


FIG. 8