



US00D820978S

(12) **United States Design Patent**
Koehler

(10) **Patent No.:** **US D820,978 S**
(45) **Date of Patent:** **** Jun. 19, 2018**

(54) **WHEELED BASE**
(71) Applicant: **Pedigo Products, Inc.**, Vancouver, WA
(US)
(72) Inventor: **Randal W. Koehler**, Woodland, WA
(US)
(73) Assignee: **PEDIGO PRODUCTS, INC.**,
Vancouver, WA (US)

D628,691 S * 12/2010 Sung D24/128
D657,470 S * 4/2012 Schon D24/186
8,196,874 B2 6/2012 Zitting et al.
8,555,904 B1 * 10/2013 Lai E04H 12/2238
135/16
8,684,375 B2 * 4/2014 Fink B60B 33/0026
248/129
D796,047 S * 8/2017 Janzen D24/186
2013/0168526 A1 7/2013 Walther et al.
2013/0228997 A1 9/2013 Fukuhara et al.

(**) Term: **15 Years**
(21) Appl. No.: **29/599,222**

FOREIGN PATENT DOCUMENTS

WO 2016077729 5/2016

(22) Filed: **Mar. 31, 2017**
(51) **LOC (11) Cl.** **24-02**
(52) **U.S. Cl.**
USPC **D24/128**
(58) **Field of Classification Search**
USPC D24/127-131, 112, 186; 248/121, 125.1,
248/124.1, 129
CPC A61M 5/1415; A61M 2005/1416; A61M
5/1417; A61M 5/1418; F16M 11/04;
F61M 11/06; A47F 5/04; B60B 33/0026
See application file for complete search history.

* cited by examiner

Primary Examiner — David G Muller
(74) *Attorney, Agent, or Firm* — Davis Wright Tremaine
LLP; Heather M. Colburn

(56) **References Cited**

(57) **CLAIM**

The ornamental design for a wheeled base, as shown and described.

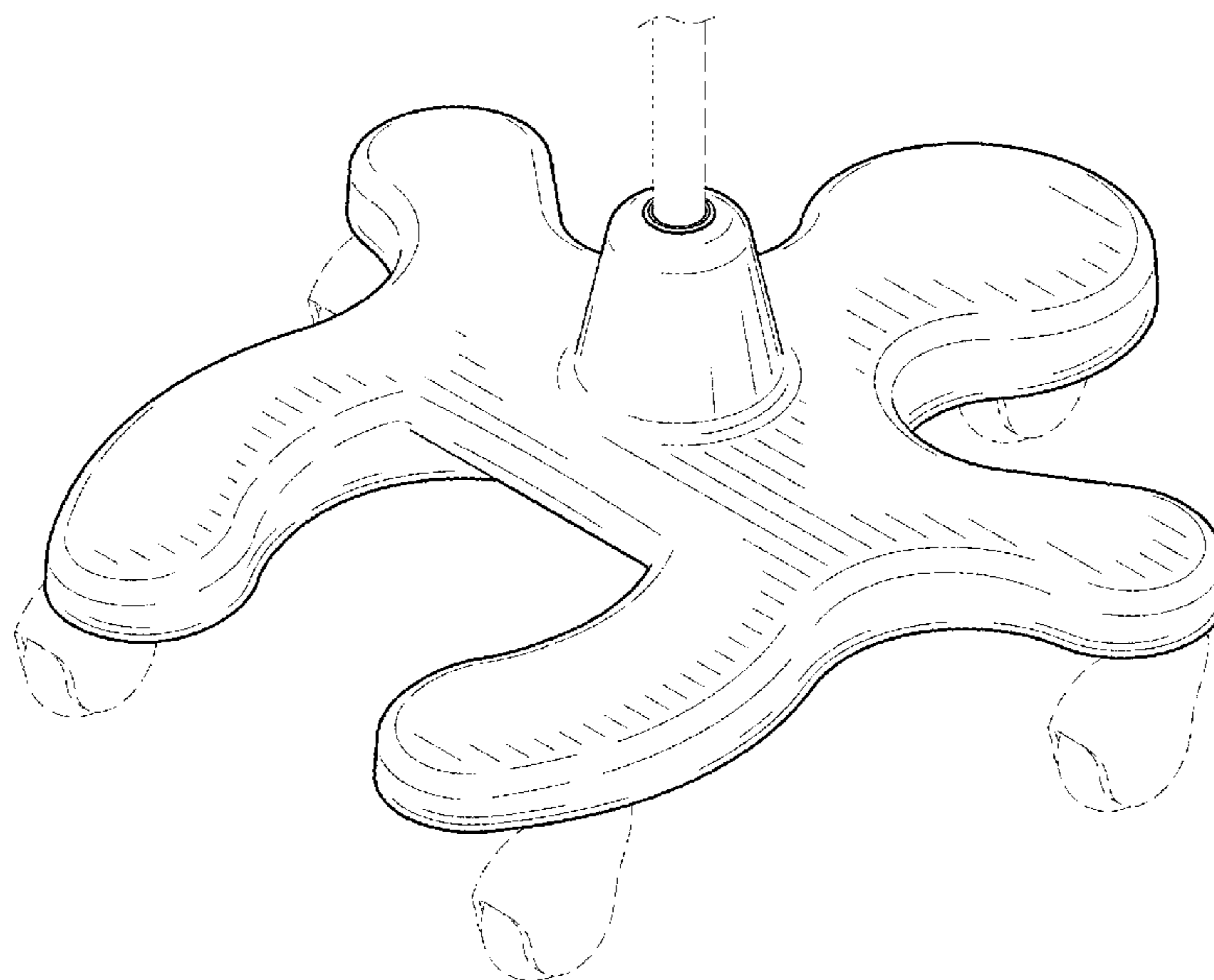
U.S. PATENT DOCUMENTS

D308,725 S * 6/1990 Kraus D24/128
D325,440 S * 4/1992 Landis D24/128
D331,108 S * 11/1992 Curbun D24/128
D419,674 S * 1/2000 Schattner D24/128
D435,107 S * 12/2000 Blair D24/186
6,367,749 B2 * 4/2002 Valiulis A47B 91/00
211/190
D559,390 S * 1/2008 Diener D24/186
D627,063 S * 11/2010 West D24/128

DESCRIPTION

FIG. 1 is a top right side perspective view of a wheeled base showing my new design.
FIG. 2 is a bottom left side perspective view thereof.
FIG. 3 is a top plan view thereof.
FIG. 4 is a right side elevation view thereof.
FIG. 5 is a left side elevation view thereof.
FIG. 6 is a front elevation view thereof.
FIG. 7 is a rear elevation view thereof; and,
FIG. 8 is a bottom plan view thereof.
The broken lines represent portions of the wheeled base that form no part of the claim.

1 Claim, 6 Drawing Sheets



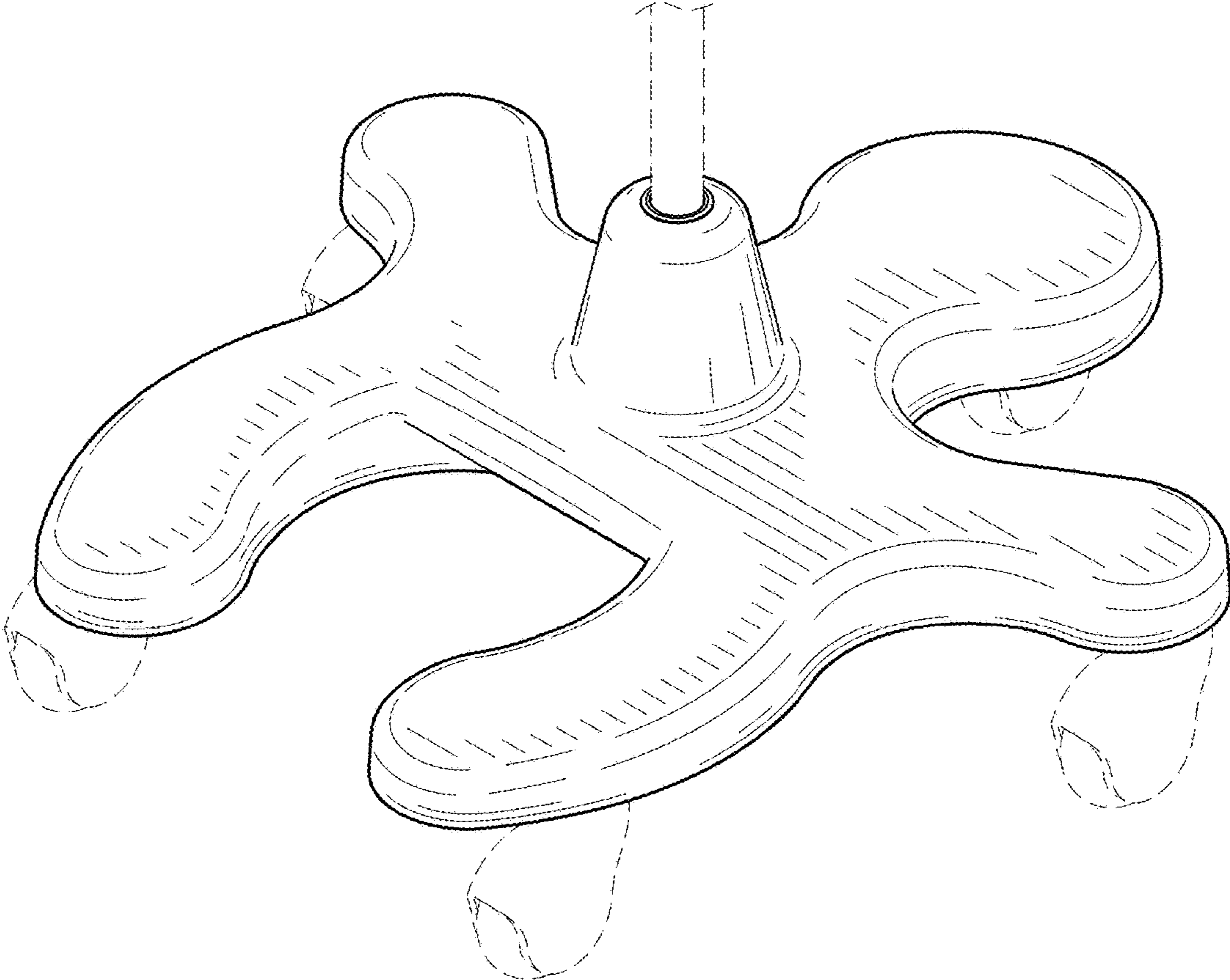


FIG. 1

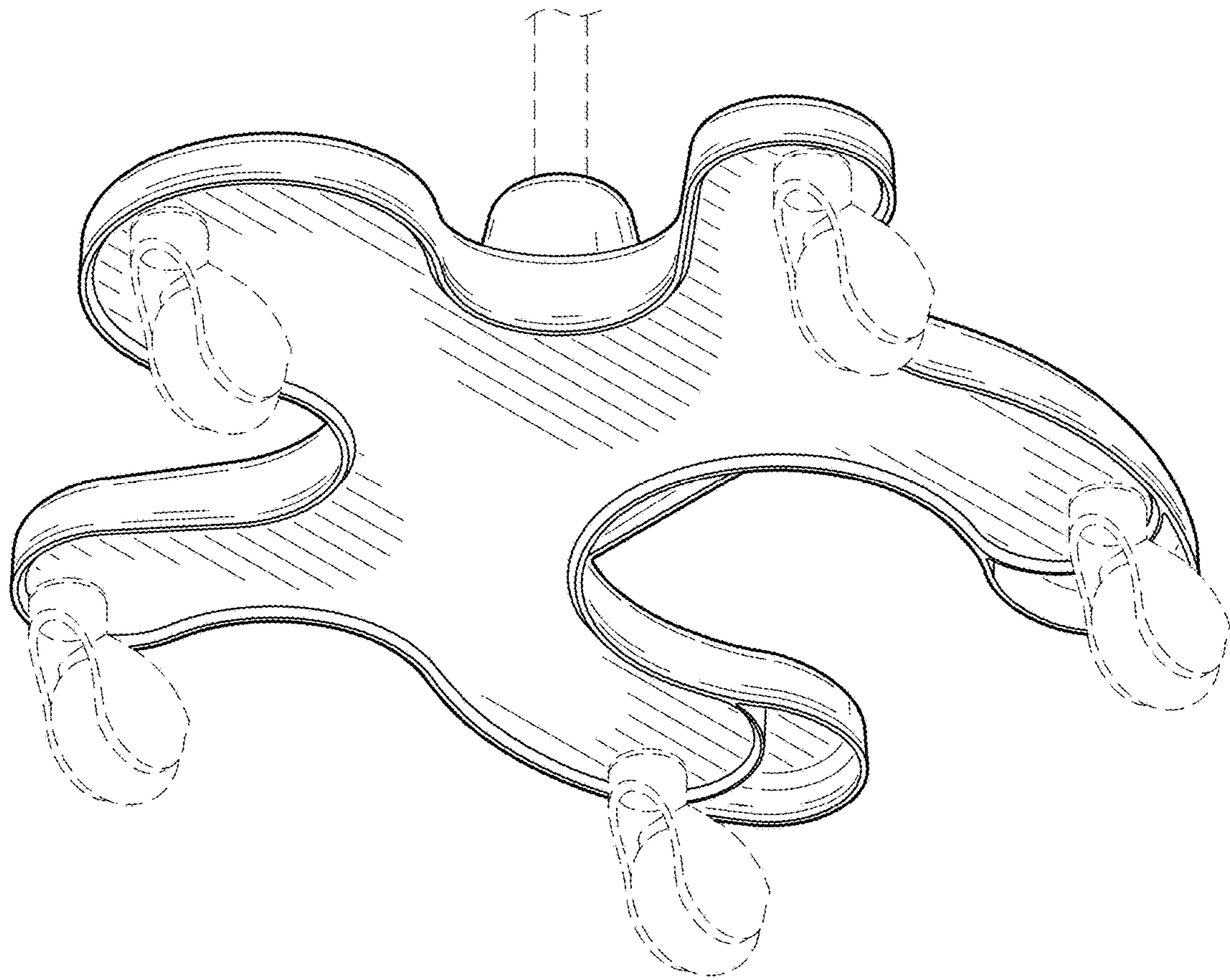


FIG. 2

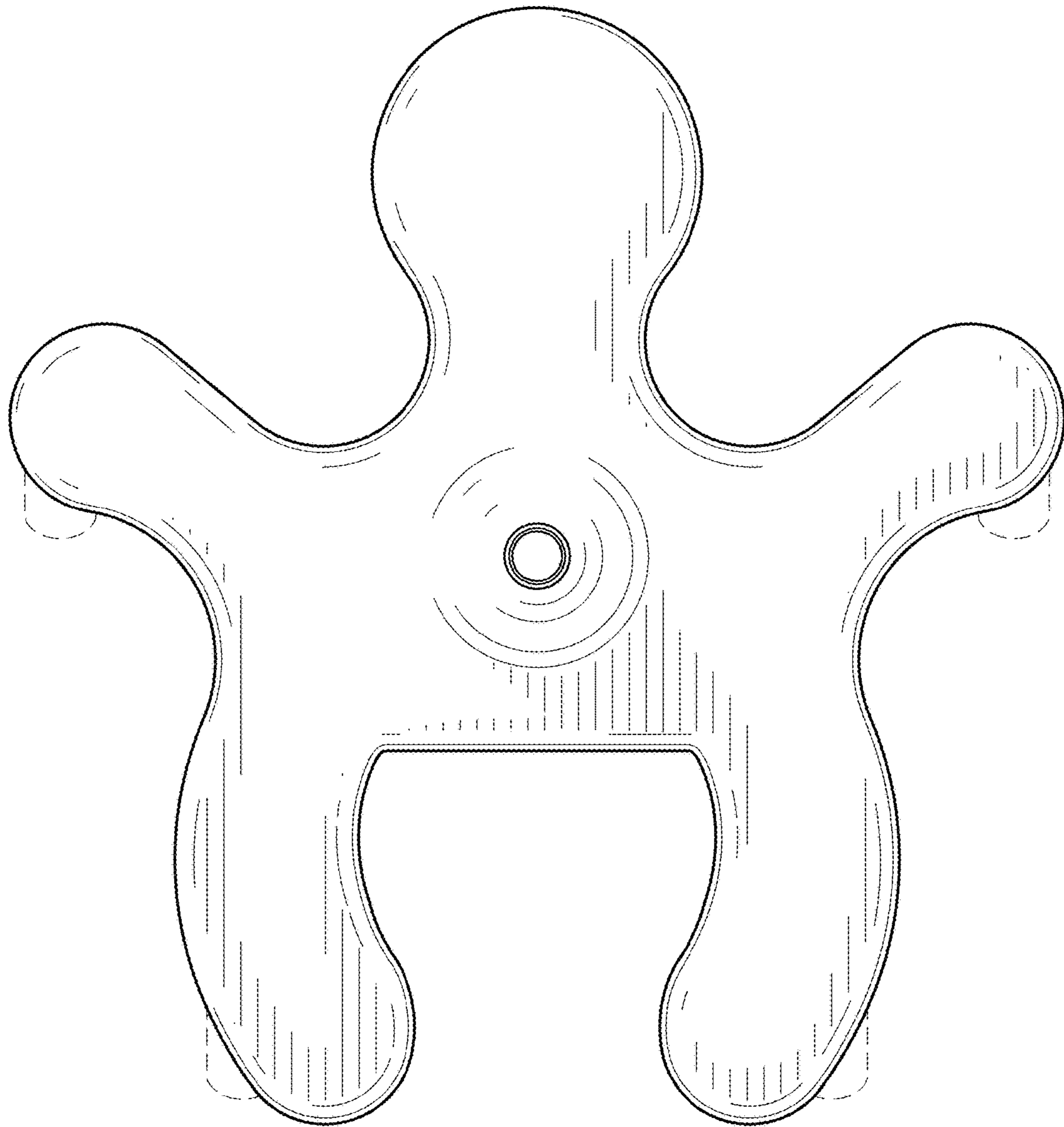


FIG. 3

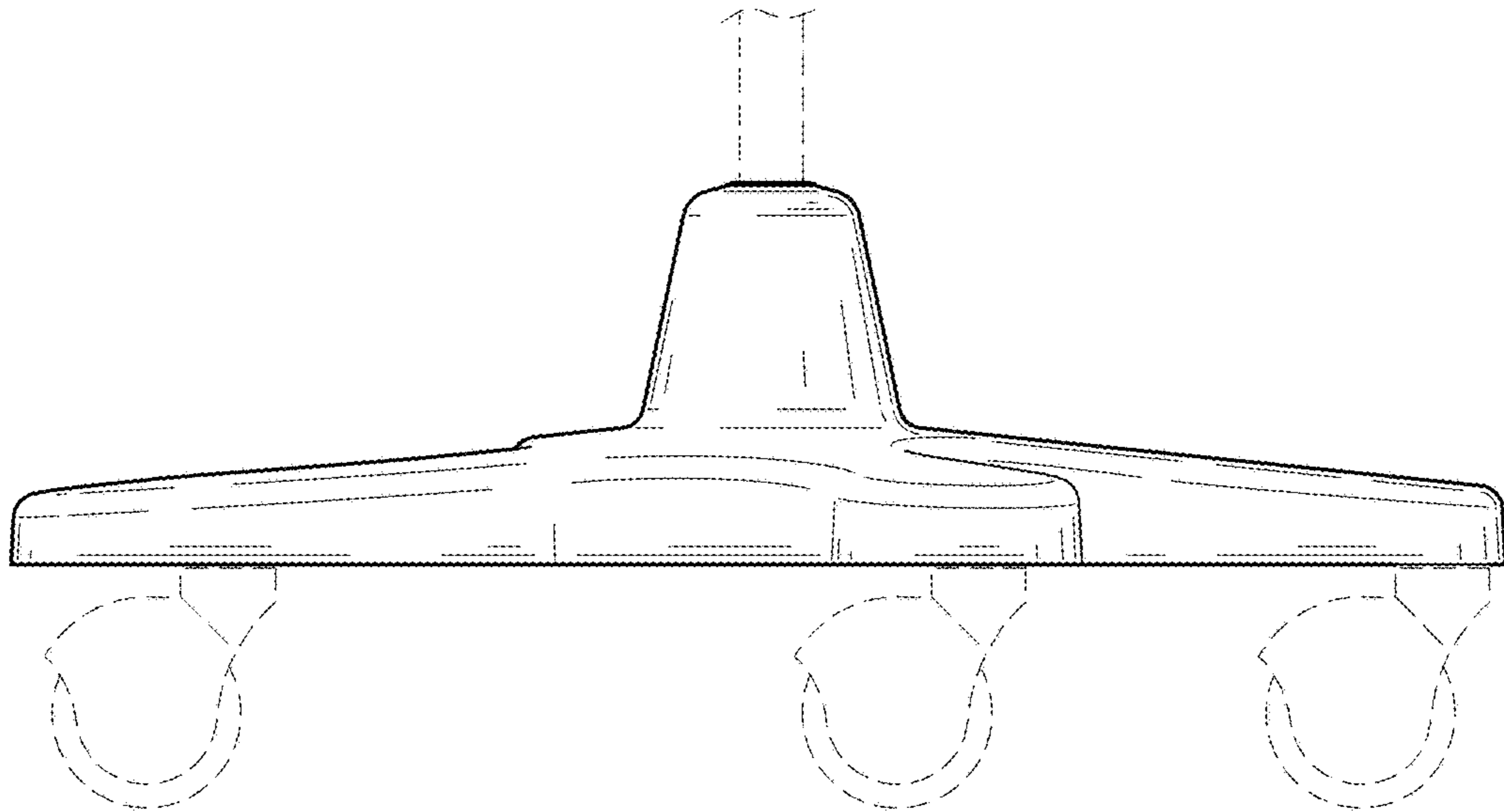


FIG. 4

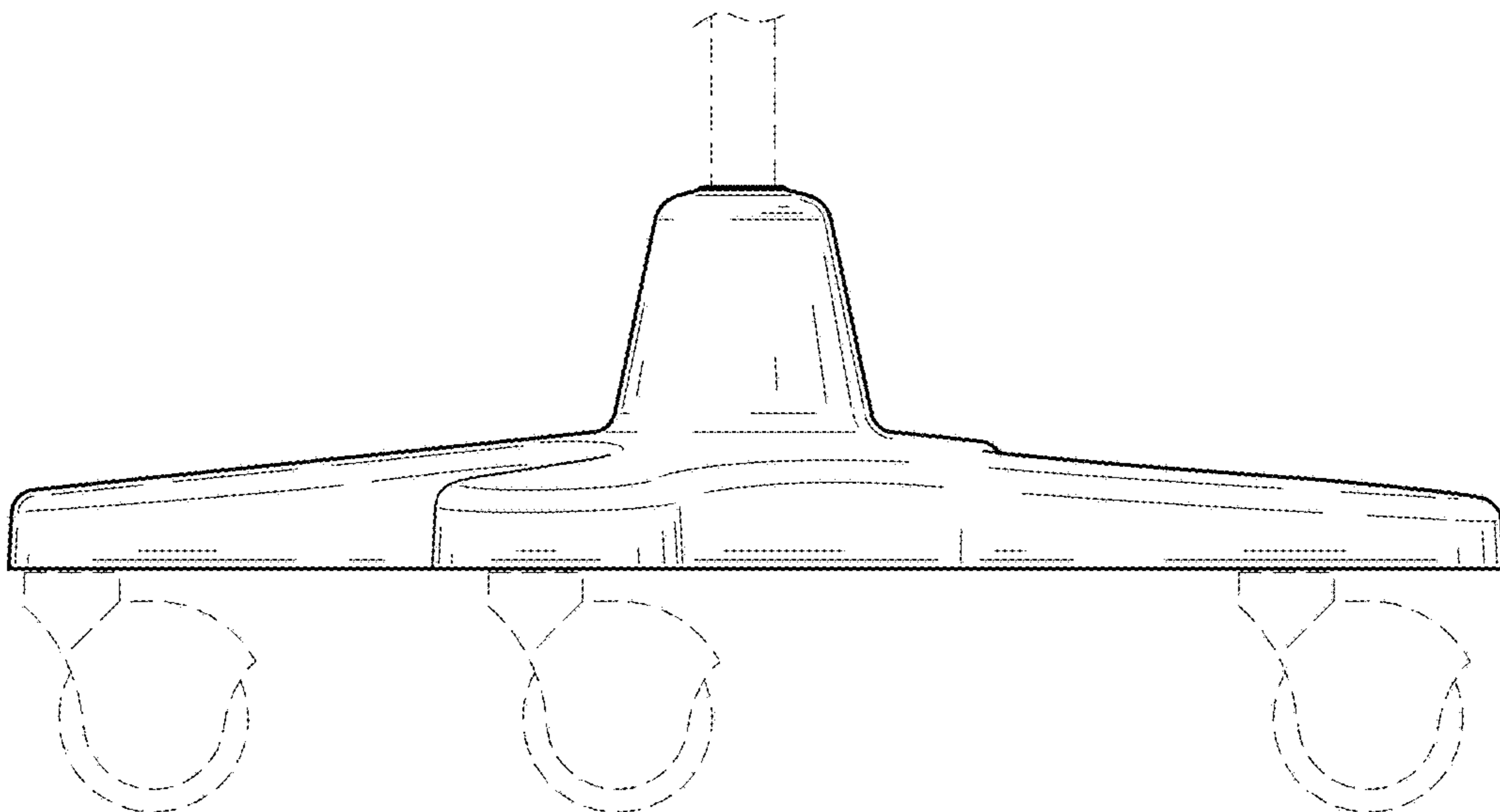


FIG. 5

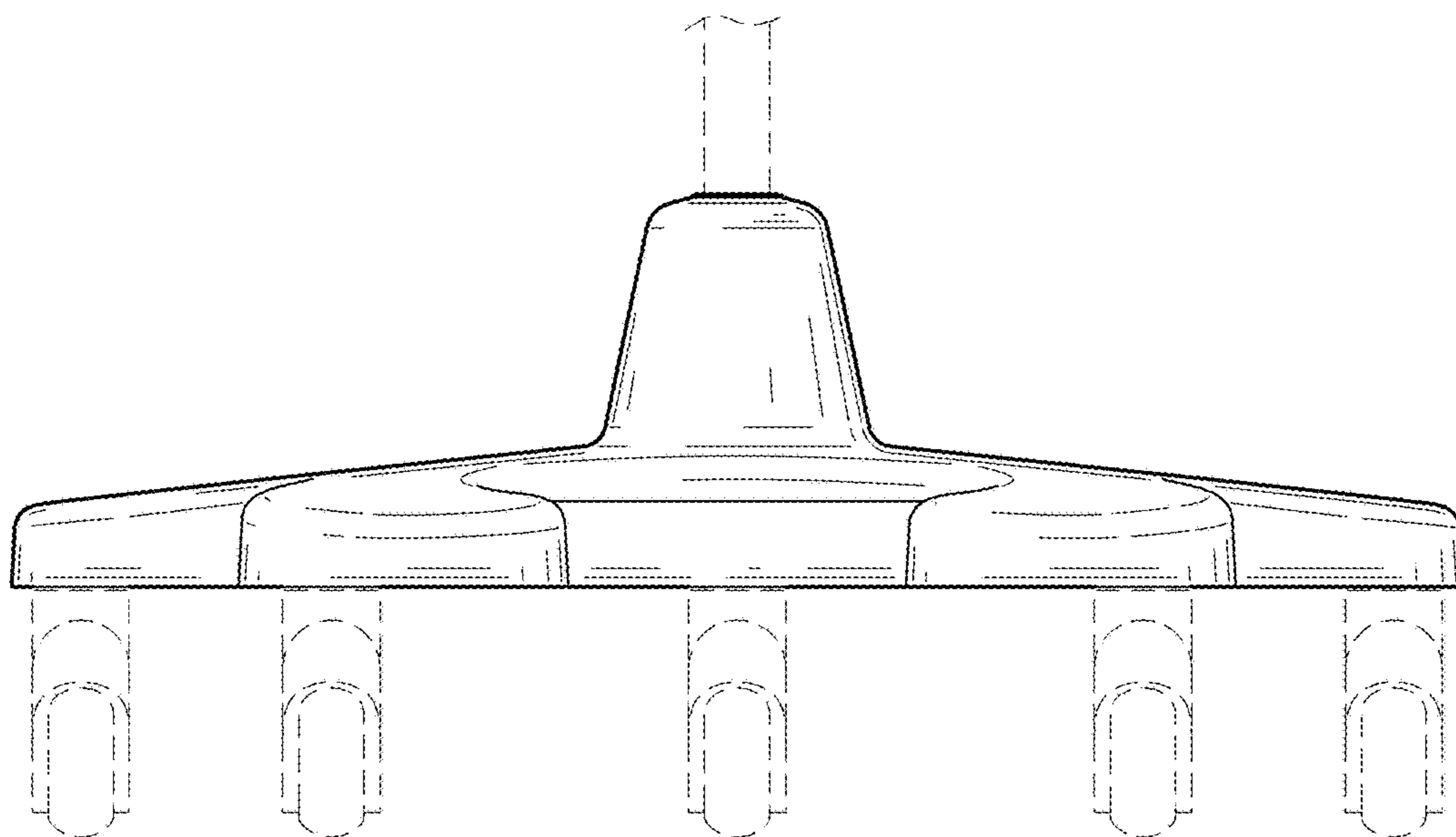


FIG. 6

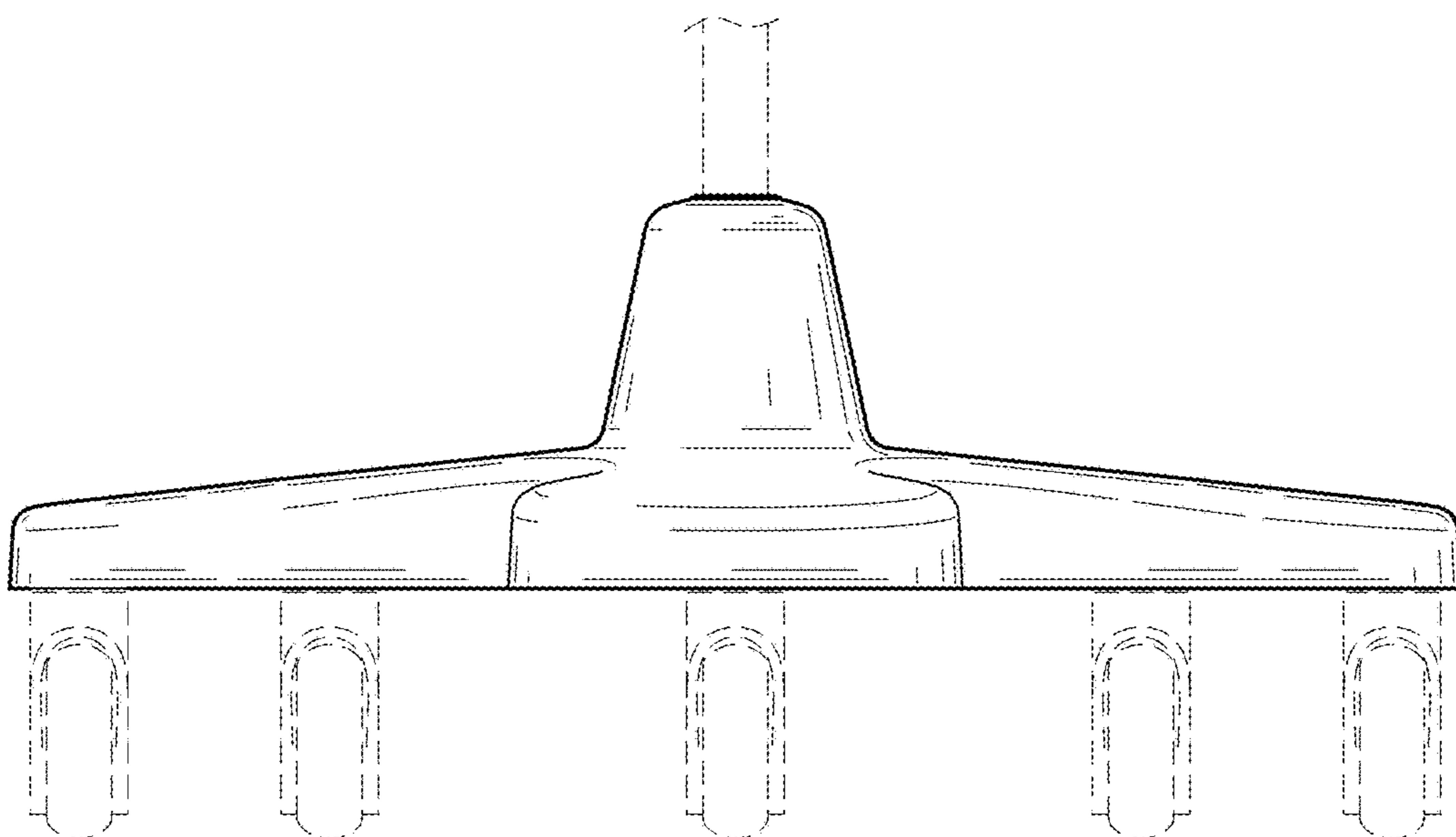


FIG. 7

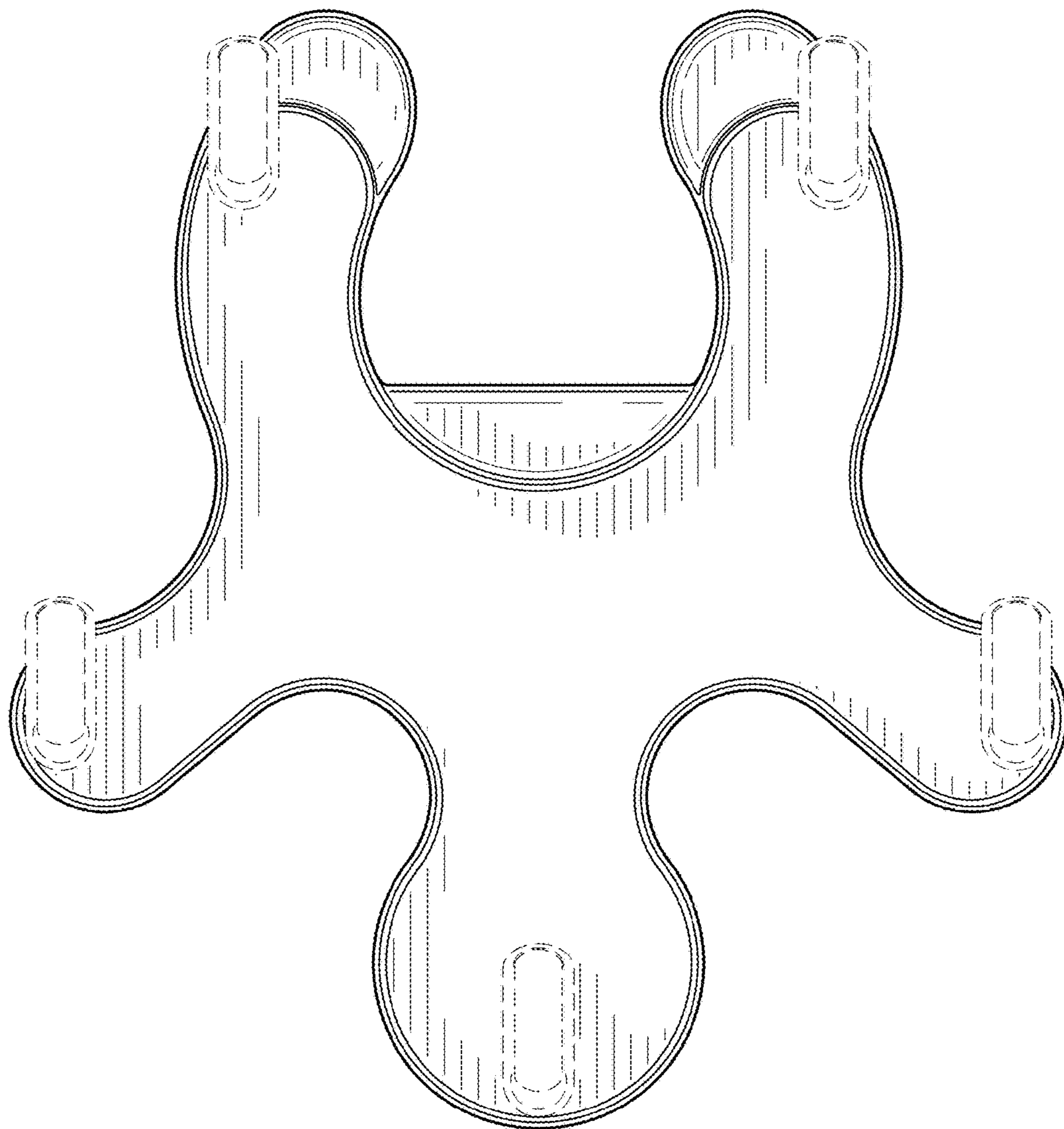


FIG. 8