



US00D820977S

(12) **United States Design Patent**
Lee et al.

(10) **Patent No.:** **US D820,977 S**
(45) **Date of Patent:** **** Jun. 19, 2018**

(54) **MEDICAL STAND**
(71) Applicant: **Samsung Electronics Co., Ltd.**,
Suwon-si (KR)
(72) Inventors: **Wanhyoung Lee**, Suwon-si (KR);
Sunghoon Moon, Suwon-si (KR);
Jaehyun Baek, Suwon-si (KR); **Jinha**
Seong, Seoul (KR); **Geonho Yoon**,
Seoul (KR)

6,241,105 B1 * 6/2001 Pomper A47F 5/04
206/6.1
6,367,749 B2 * 4/2002 Valiulis A47B 1/09
211/190
D568,467 S * 5/2008 Cottone D24/128
D627,063 S * 11/2010 West D24/128
D628,691 S * 12/2010 Sung D24/128
8,313,066 B2 * 11/2012 Hampton A61M 5/1415
16/30
9,204,761 B2 * 12/2015 Volk A47K 1/09
9,539,858 B2 * 1/2017 Illing B60B 33/00

(73) Assignee: **SAMSUNG ELECTRONICS CO., LTD.**, Suwon-si (KR)

FOREIGN PATENT DOCUMENTS

(**) Term: **15 Years**

KR 30-0693748 5/2013
KR 30-0766884 10/2014
KR 30-0839336 2/2016
KR 30-0875594 10/2016

(21) Appl. No.: **29/596,292**

* cited by examiner

(22) Filed: **Mar. 7, 2017**

Primary Examiner — David G Muller

(30) **Foreign Application Priority Data**

(74) *Attorney, Agent, or Firm* — McAndrews Held & Malloy, Ltd.

Nov. 21, 2016 (KR) 30-2016-0055853

(51) **LOC (11) Cl.** **24-02**

(57) **CLAIM**

(52) **U.S. Cl.**
USPC **D24/128**

The ornamental design for a medical stand, as shown and described.

(58) **Field of Classification Search**
USPC D24/127-131, 112, 186; 248/121, 125.1,
248/124.1, 129
CPC A61M 5/1415
See application file for complete search history.

DESCRIPTION

(56) **References Cited**

FIG. 1 is a front perspective view of a medical stand showing our new design;
FIG. 2 is a front view thereof;
FIG. 3 is a rear view thereof;
FIG. 4 is a left-side view thereof;
FIG. 5 is a right-side view thereof;
FIG. 6 is a top view thereof; and,
FIG. 7 is a bottom view thereof.

U.S. PATENT DOCUMENTS

The dashed broken lines in the drawings represent portions of the medical stand that form no part of the claimed design.

D281,453 S * 11/1985 DiGianfilippo D24/128
D308,725 S * 6/1990 Kraus D24/128
D331,108 S * 11/1992 Curbun D24/128
5,848,710 A * 12/1998 Pomper A47F 5/04
211/205
D419,674 S * 1/2000 Schaffner D24/128

1 Claim, 6 Drawing Sheets

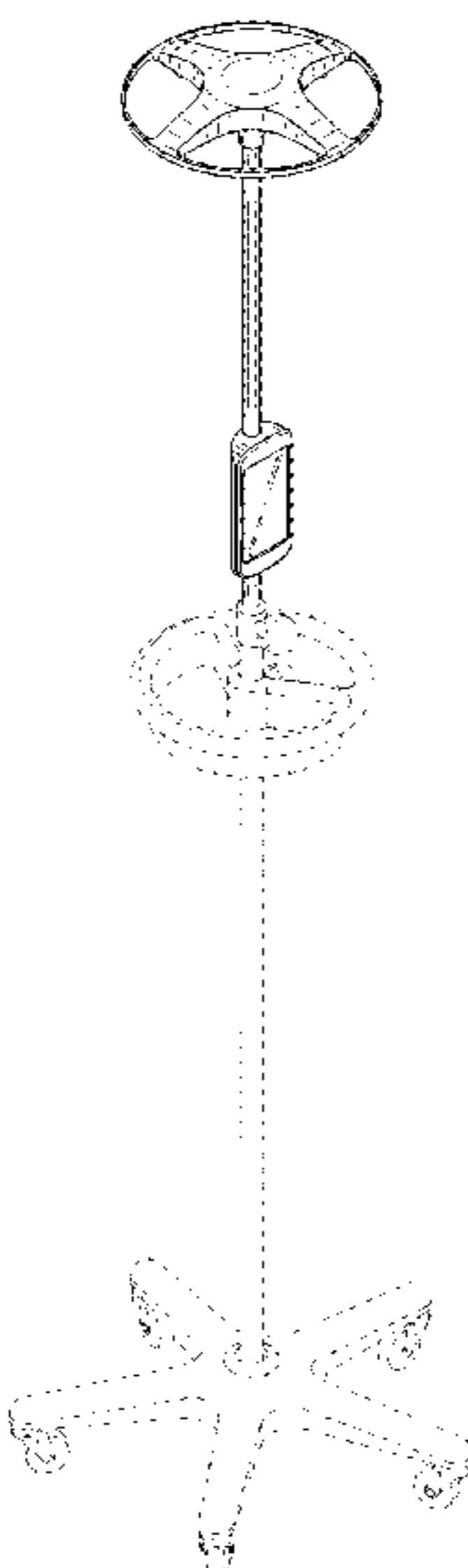


FIG. 1

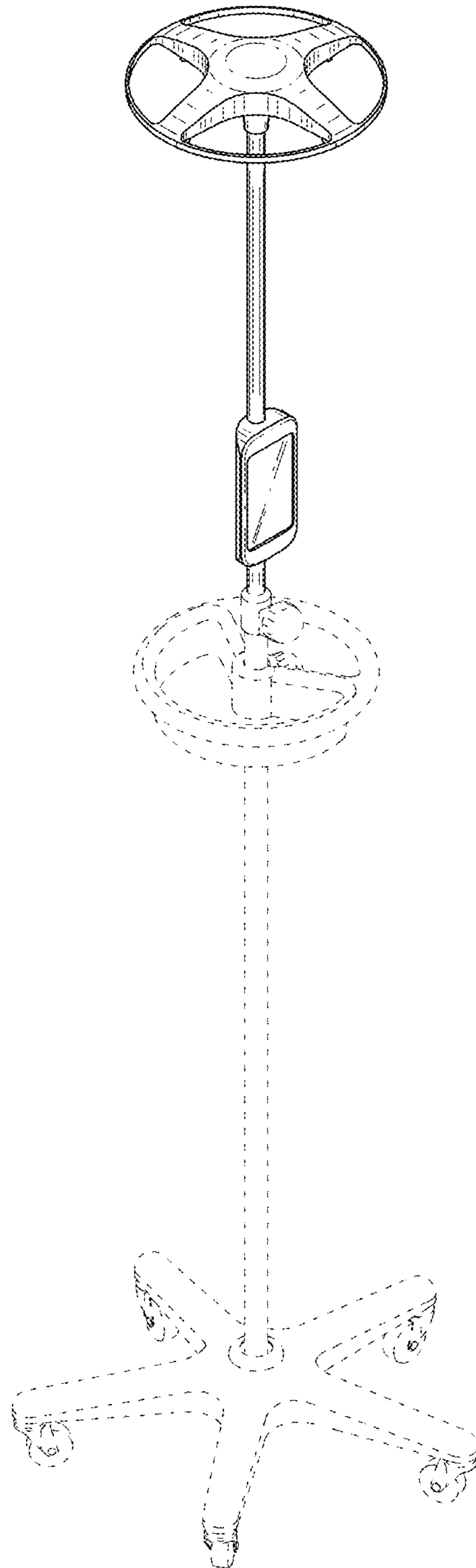


FIG. 2

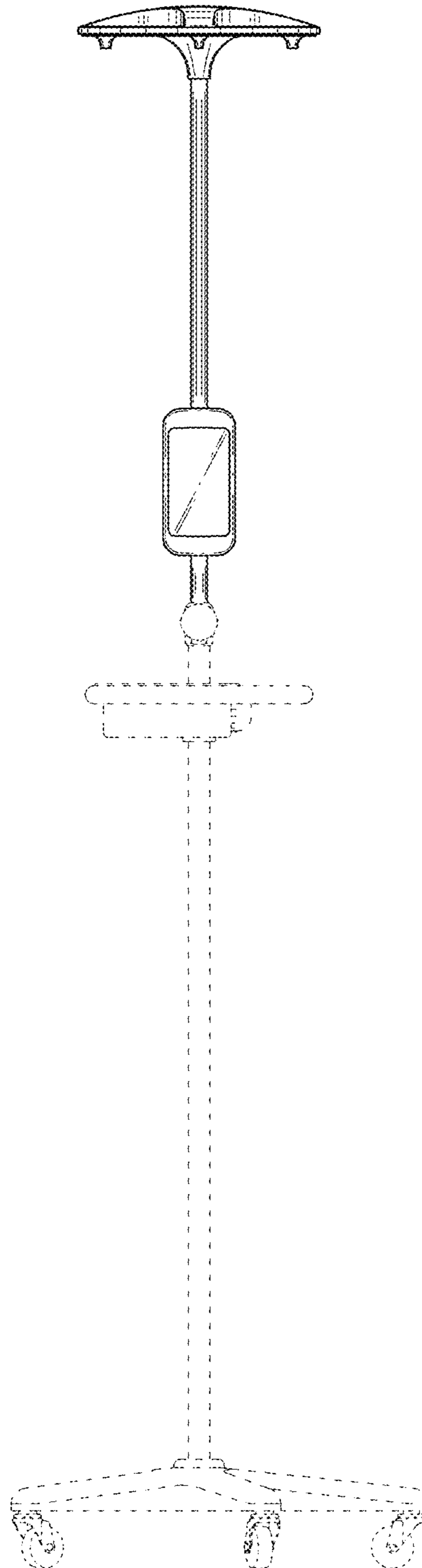


FIG. 3

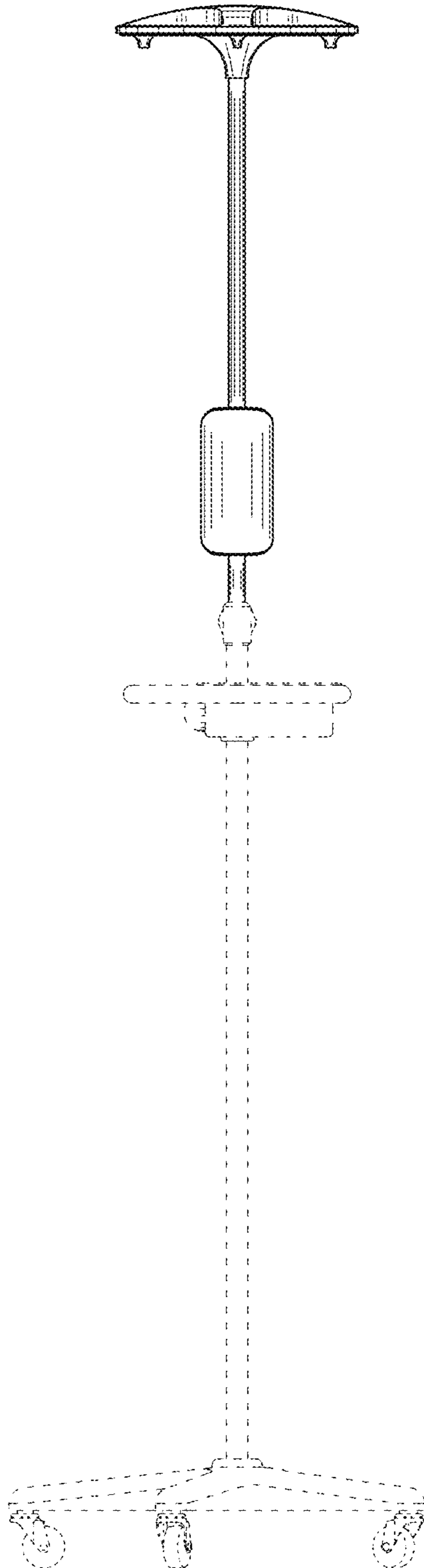


FIG. 4

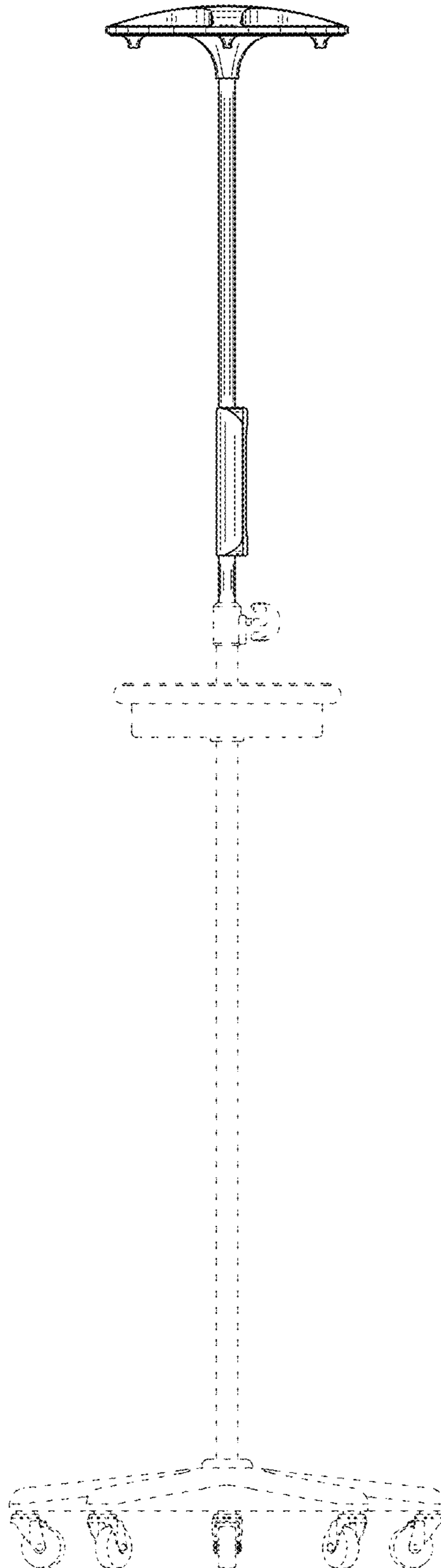


FIG. 5

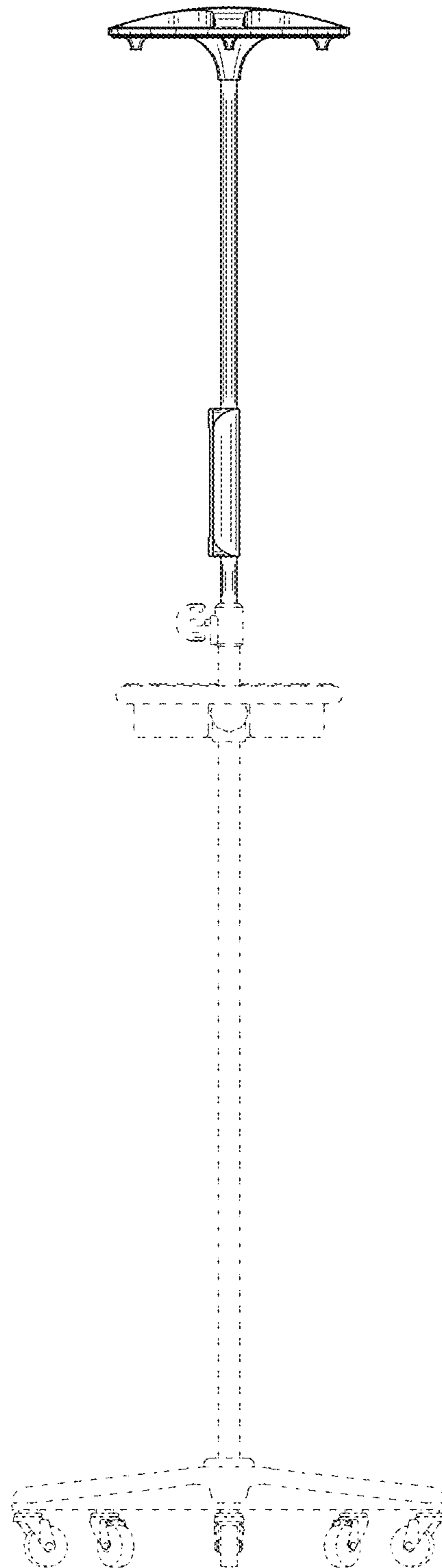


FIG. 6

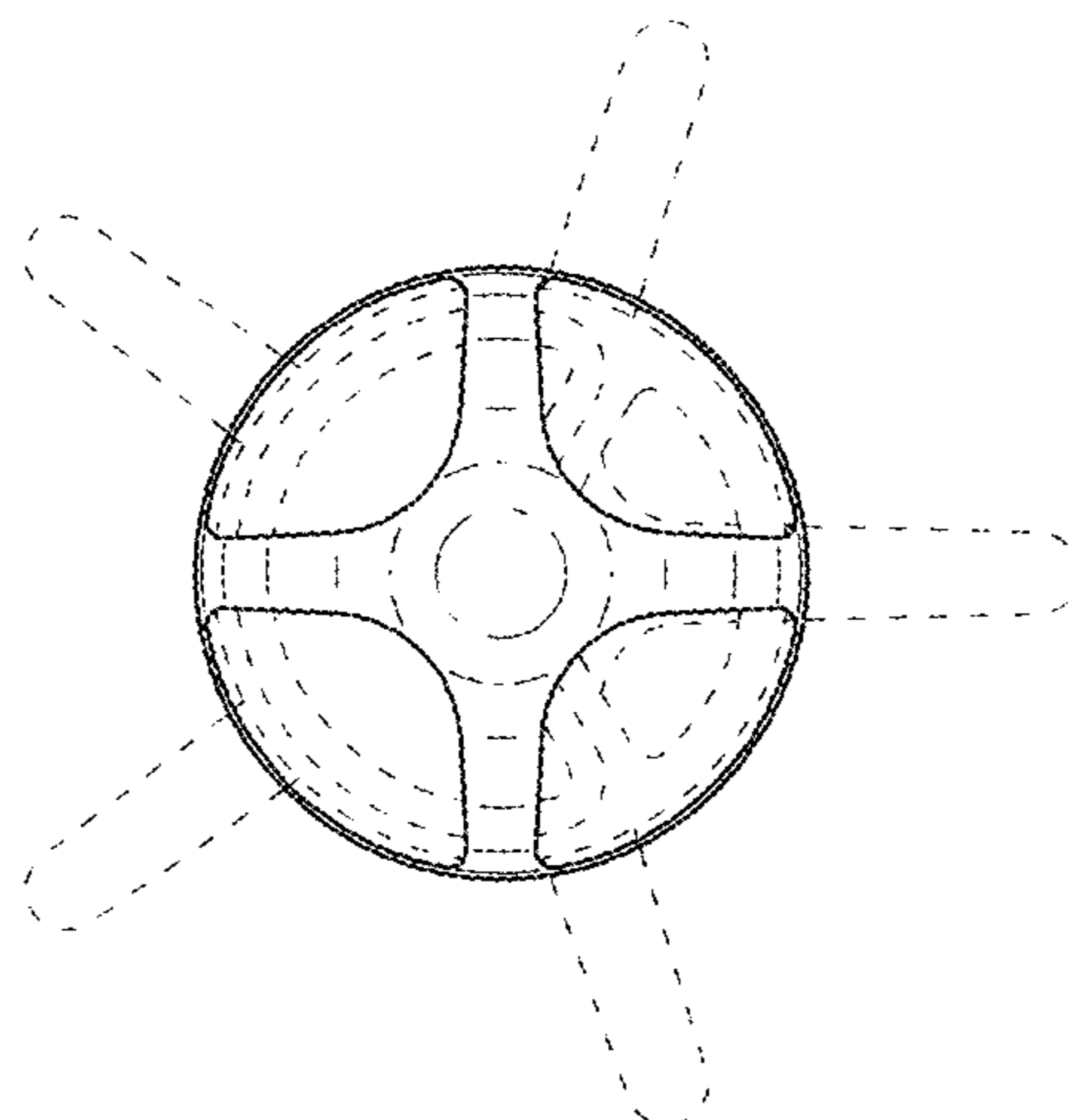


FIG. 7

