



US00D820973S

(12) **United States Design Patent**
Albert

(10) **Patent No.:** **US D820,973 S**
(45) **Date of Patent:** **** Jun. 19, 2018**

- (54) **ADAPTER FOR BREAST PUMP FOR NURSING MOTHER**
- (71) Applicant: **Albert Hohlkoerper GmbH+Co.KG, Hemer (DE)**
- (72) Inventor: **Rudolf Albert, Hemer (DE)**
- (73) Assignee: **ALBERT HOHLKOERPER GMBH & CO. KG, Hemer (DE)**
- (**) Term: **14 Years**
- (21) Appl. No.: **29/523,107**
- (22) Filed: **Apr. 7, 2015**
- (51) **LOC (11) Cl.** **24-02**
- (52) **U.S. Cl.**
USPC **D24/109**
- (58) **Field of Classification Search**
USPC D24/108, 109, 127; 604/74-76; D9/500, D9/549
CPC A61M 1/062; A61M 1/06; A61M 1/066; A61M 1/064; A61J 9/00; A61J 9/001
See application file for complete search history.

(56) **References Cited**

U.S. PATENT DOCUMENTS

4,850,496	A *	7/1989	Rudell	A47G 19/2227	215/11.1
D486,224	S *	2/2004	Gay, III	D24/109	
D486,225	S *	2/2004	Gay, III	D24/109	
6,991,121	B1 *	1/2006	Kipperman	A61J 9/005	215/11.1
D763,435	S *	8/2016	Patvibul	D24/109	
2008/0302751	A1 *	12/2008	Segovia, Jr.	A61J 9/001	215/11.3
2010/0262072	A1 *	10/2010	Attolini	A61M 1/0031	604/74
2011/0226802	A1 *	9/2011	Moore	B65D 41/0442	222/1

- 2012/0041365 A1* 2/2012 Simdon A61M 1/062 604/74
- 2014/0213964 A1* 7/2014 Taheri A61M 1/06 604/74
- 2014/0343486 A1* 11/2014 Taheri A61M 1/064 604/75
- 2015/0024085 A1* 1/2015 McBean A61J 11/04 426/2

(Continued)

Primary Examiner — Barbara Fox
Assistant Examiner — Lilyana Bekic
(74) *Attorney, Agent, or Firm* — Andrew Wilford

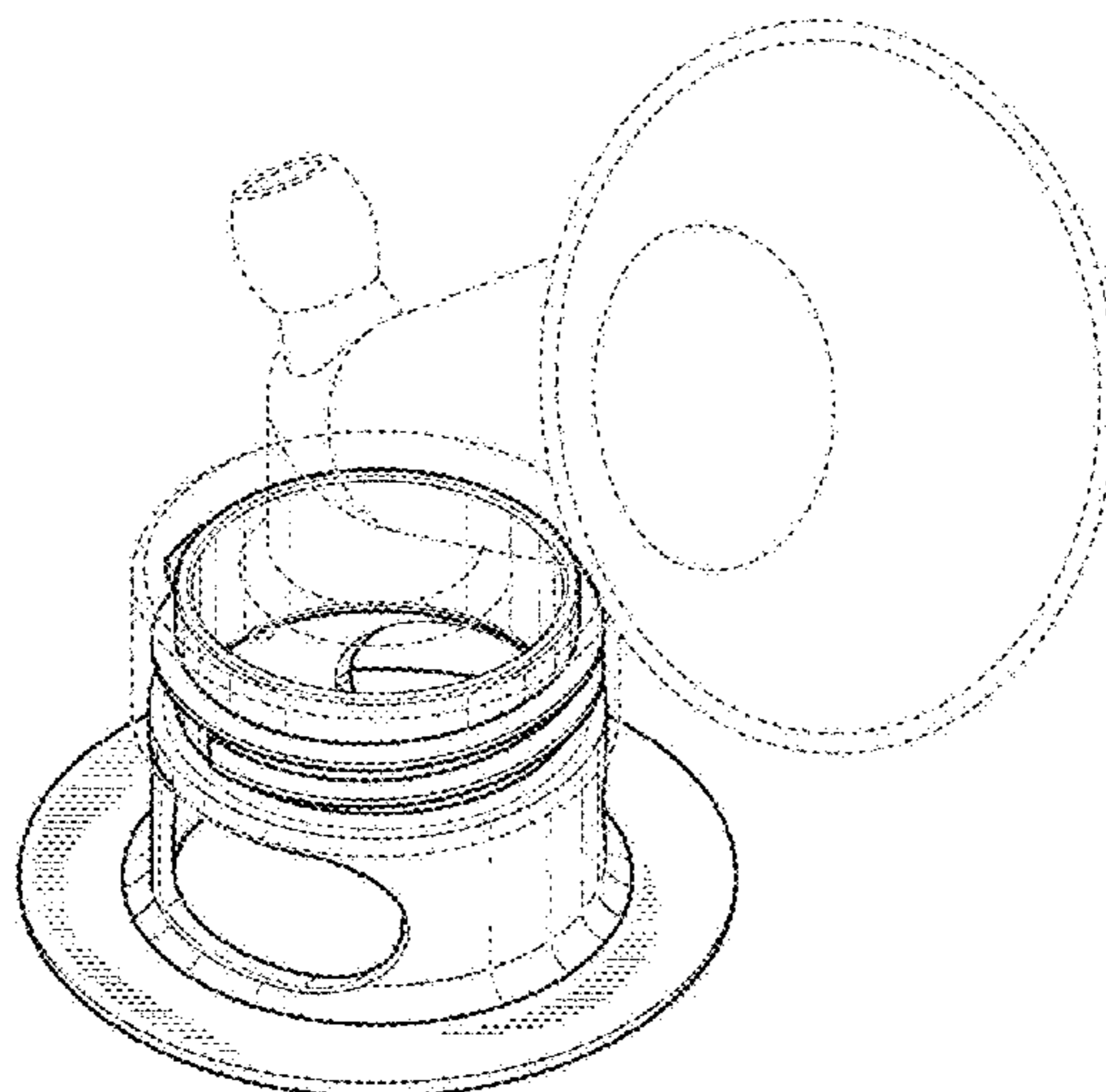
(57) **CLAIM**

The ornamental design for an adapter for a breast pump for a nursing mother, as shown and described.

DESCRIPTION

FIG. 1 is a perspective view of an adapter for breast pump for nursing mother showing the new design, attached to a breast pump;
 FIG. 2 is a front elevational thereof;
 FIG. 3 is a back elevational thereof;
 FIG. 4 is a top view thereof;
 FIG. 5 is a left-side elevational view thereof;
 FIG. 6 is bottom view thereof;
 FIG. 7 is a perspective view from above and to the left of the adapter for breast pump for nursing mother, shown separately from the breast pump for ease of illustration;
 FIG. 8 is a top view thereof;
 FIG. 9 is a bottom view thereof;
 FIG. 10 is a left-side elevational view thereof;
 FIG. 11 is a right-side elevational view thereof;
 FIG. 12 is a front elevational view thereof; and,
 FIG. 13 is a back elevational view thereof.
 The broken-line showing of the breast pump in FIGS. 1-6 is environment and forms no part of the claimed design.

1 Claim, 5 Drawing Sheets



(56)

References Cited

U.S. PATENT DOCUMENTS

2016/0114090 A1* 4/2016 Patvibul A61M 1/062
604/514
2016/0317728 A1* 11/2016 Lewis A61M 1/06
2017/0021068 A1* 1/2017 Gaskin A61M 1/06

* cited by examiner

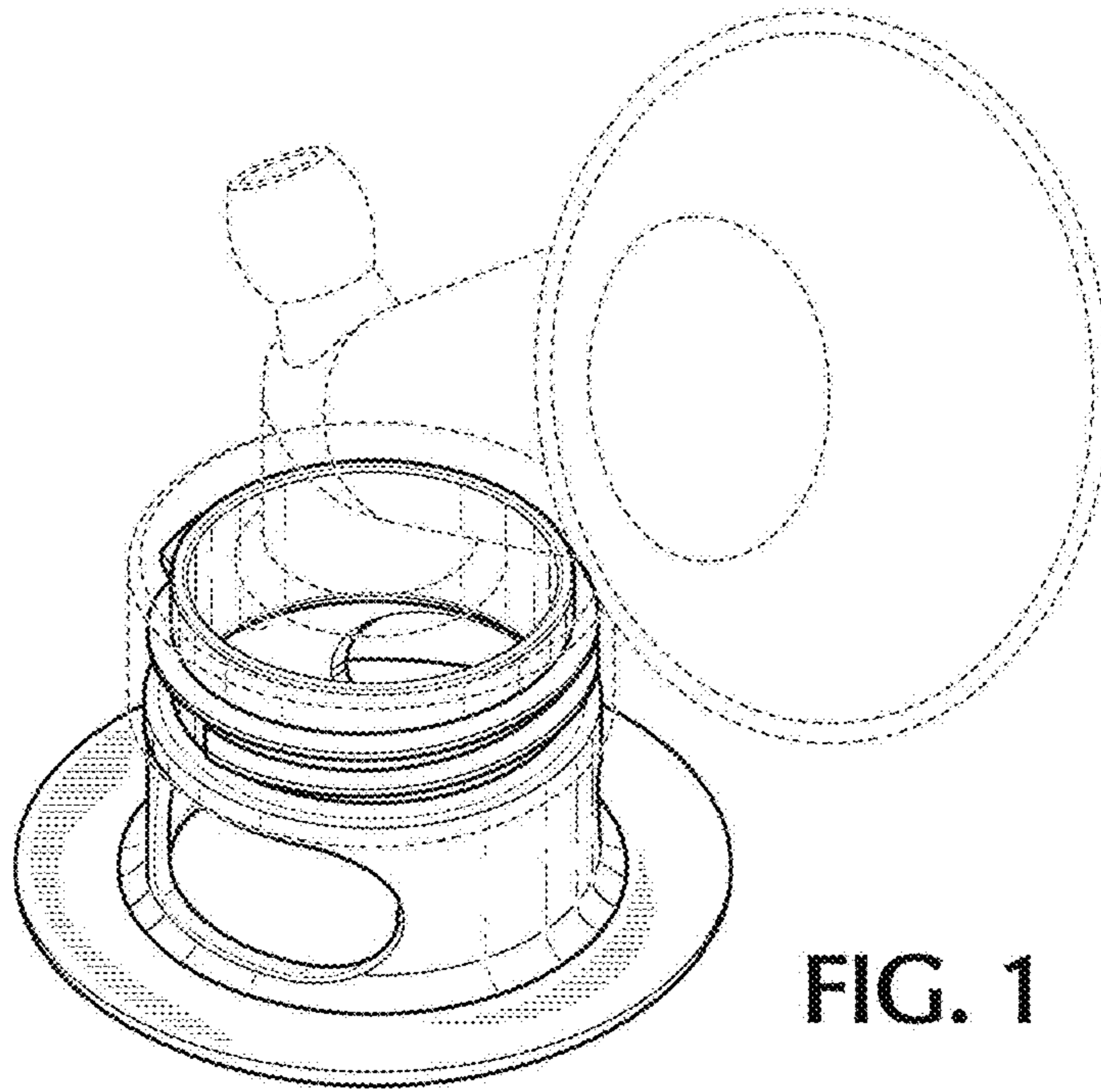


FIG. 1

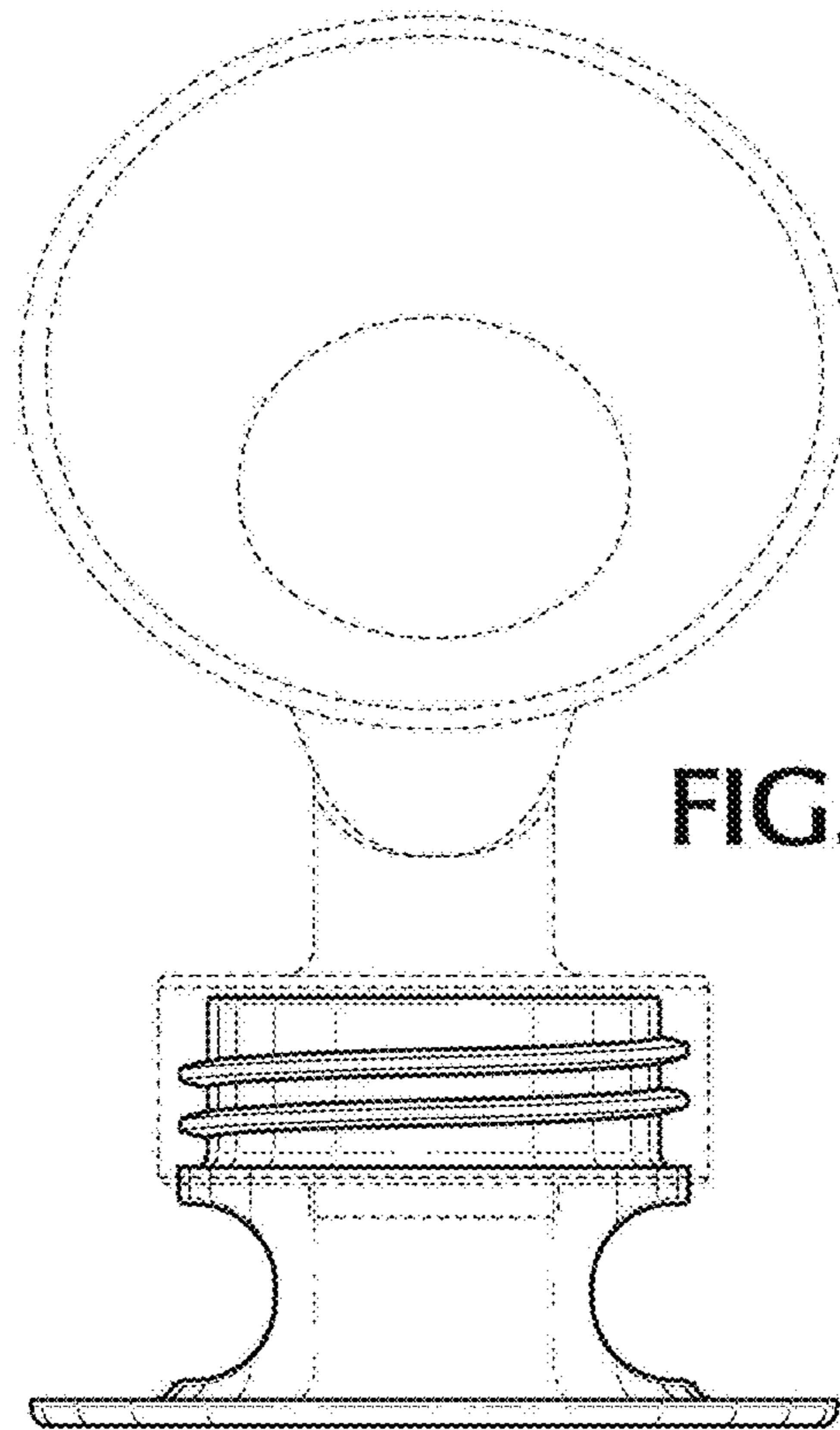


FIG. 2

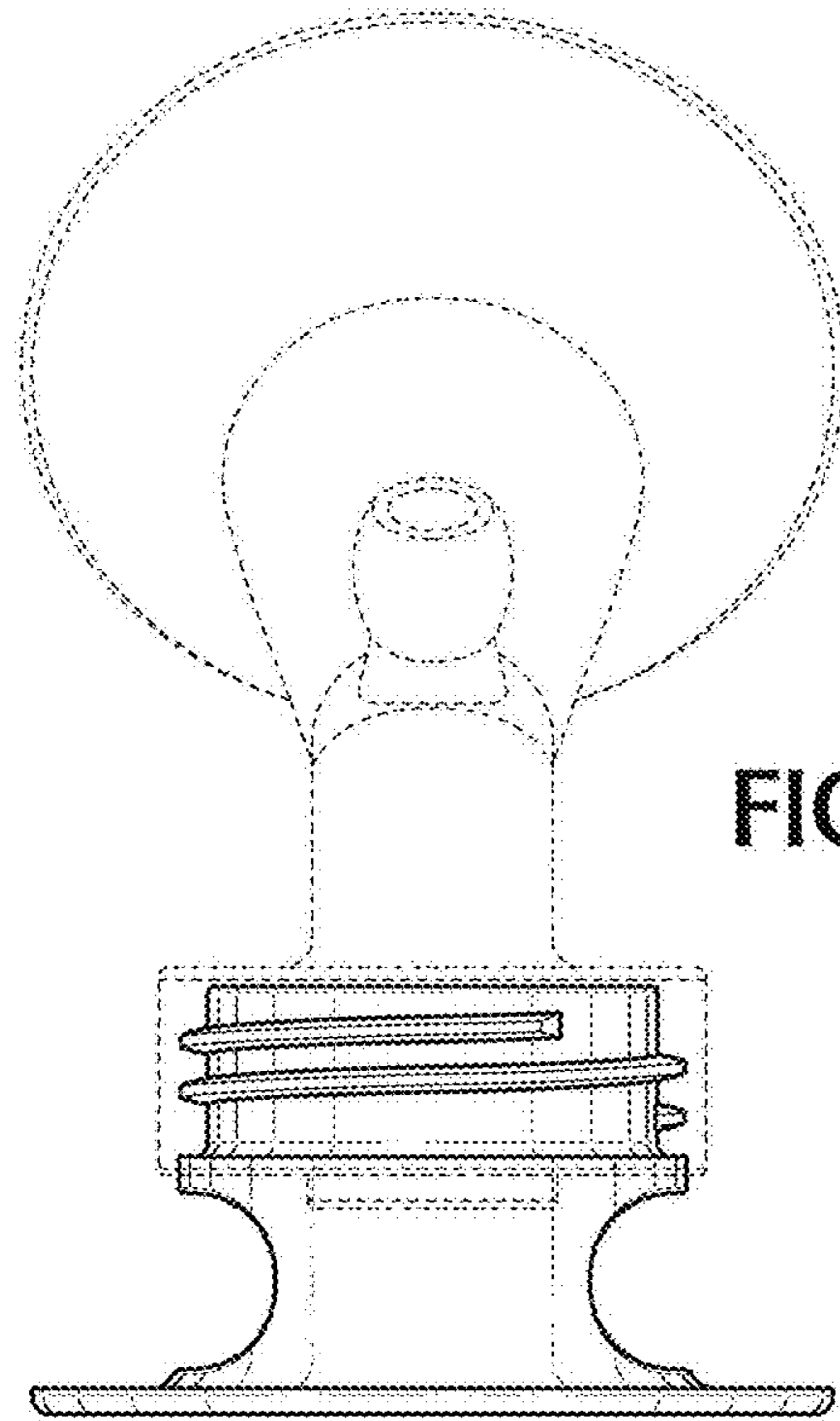


FIG. 3

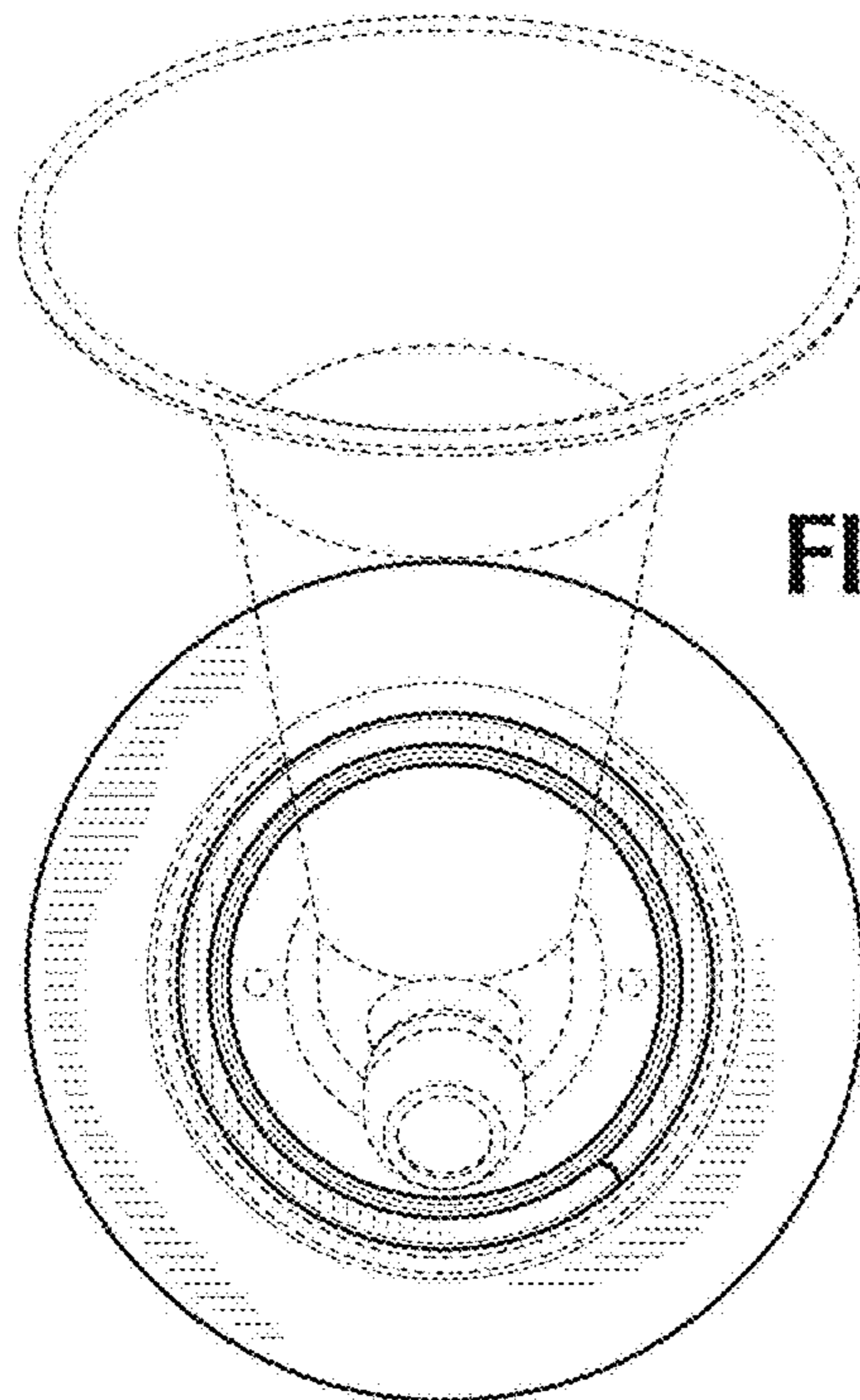


FIG. 4

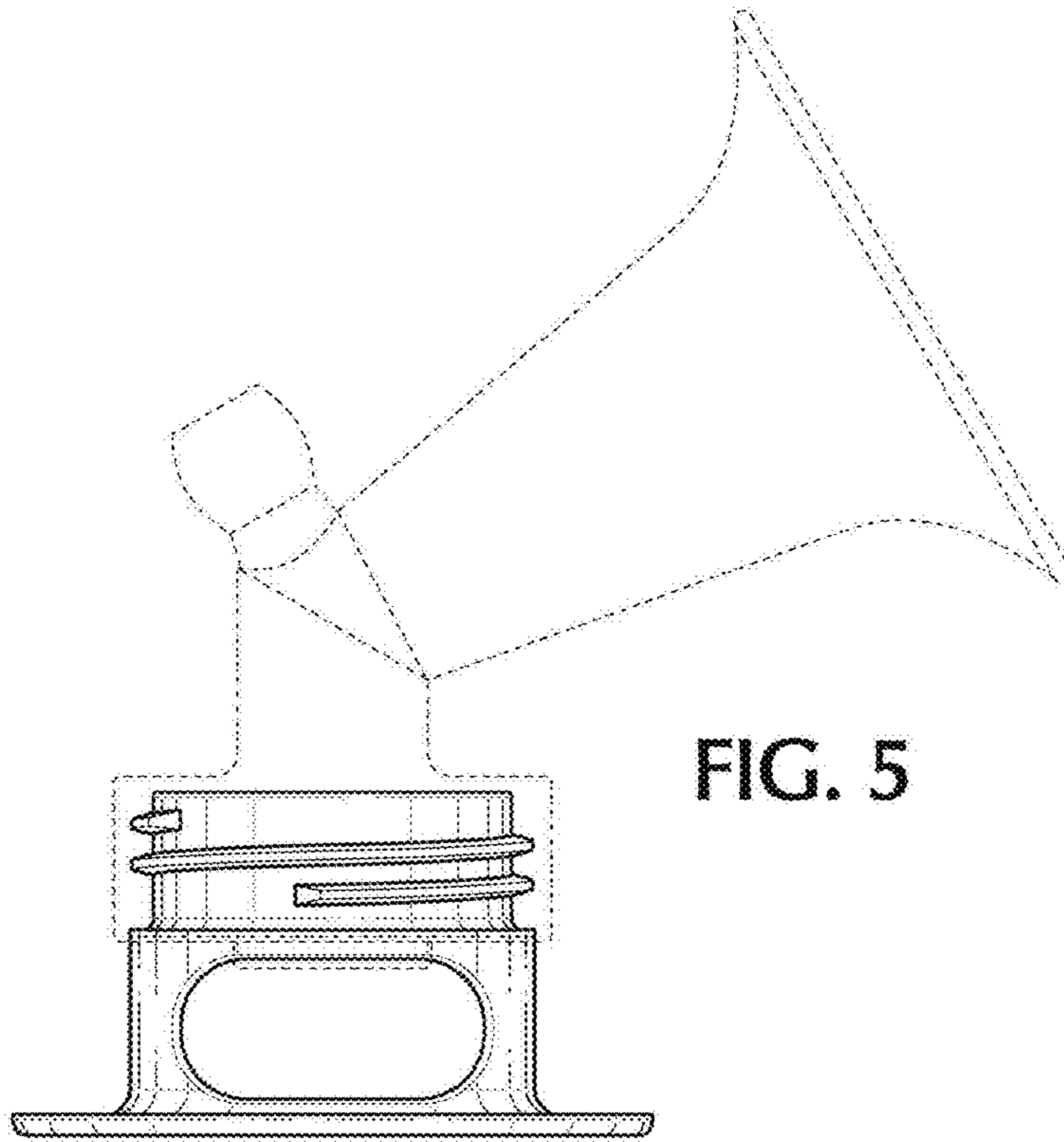


FIG. 5

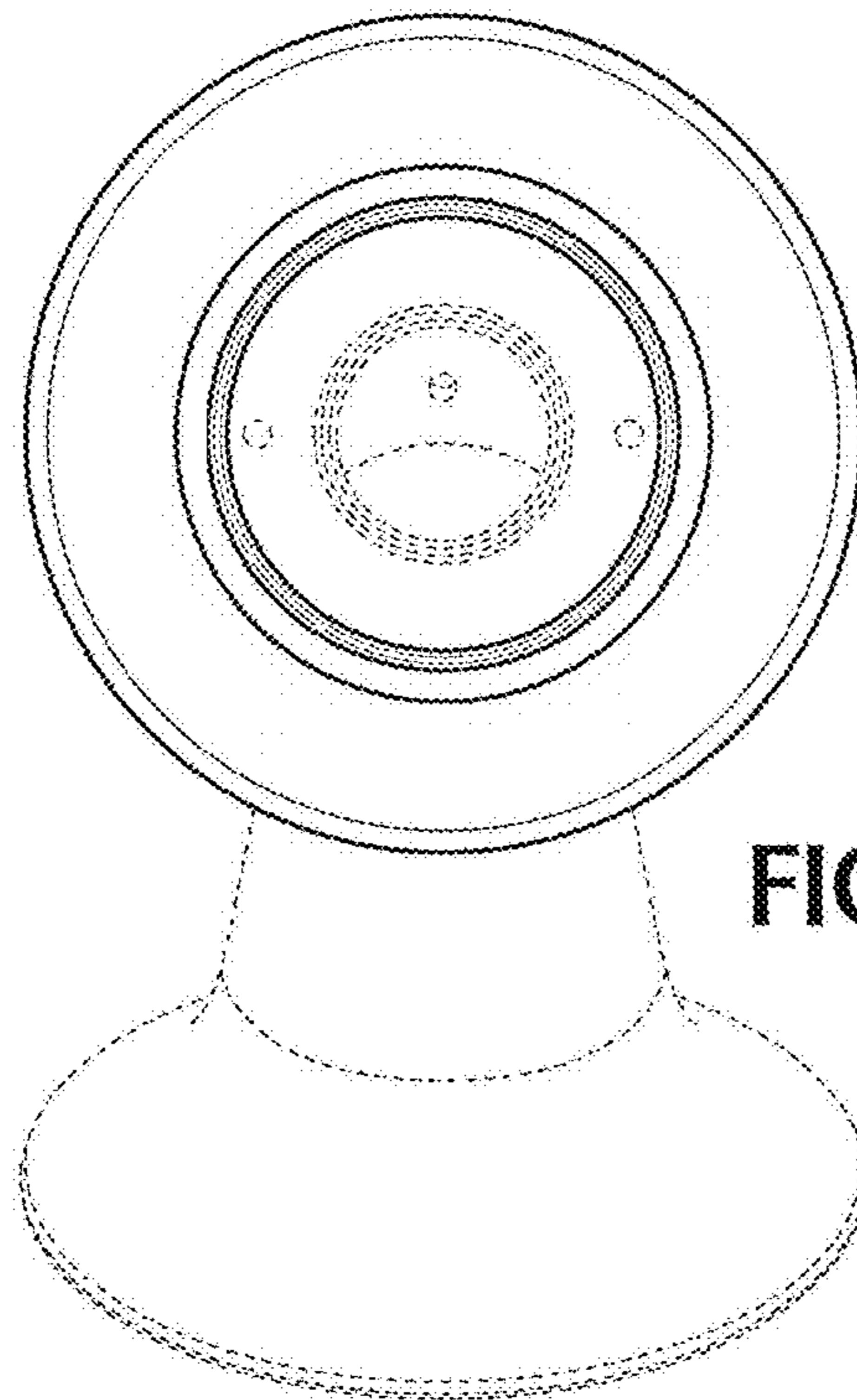


FIG. 6

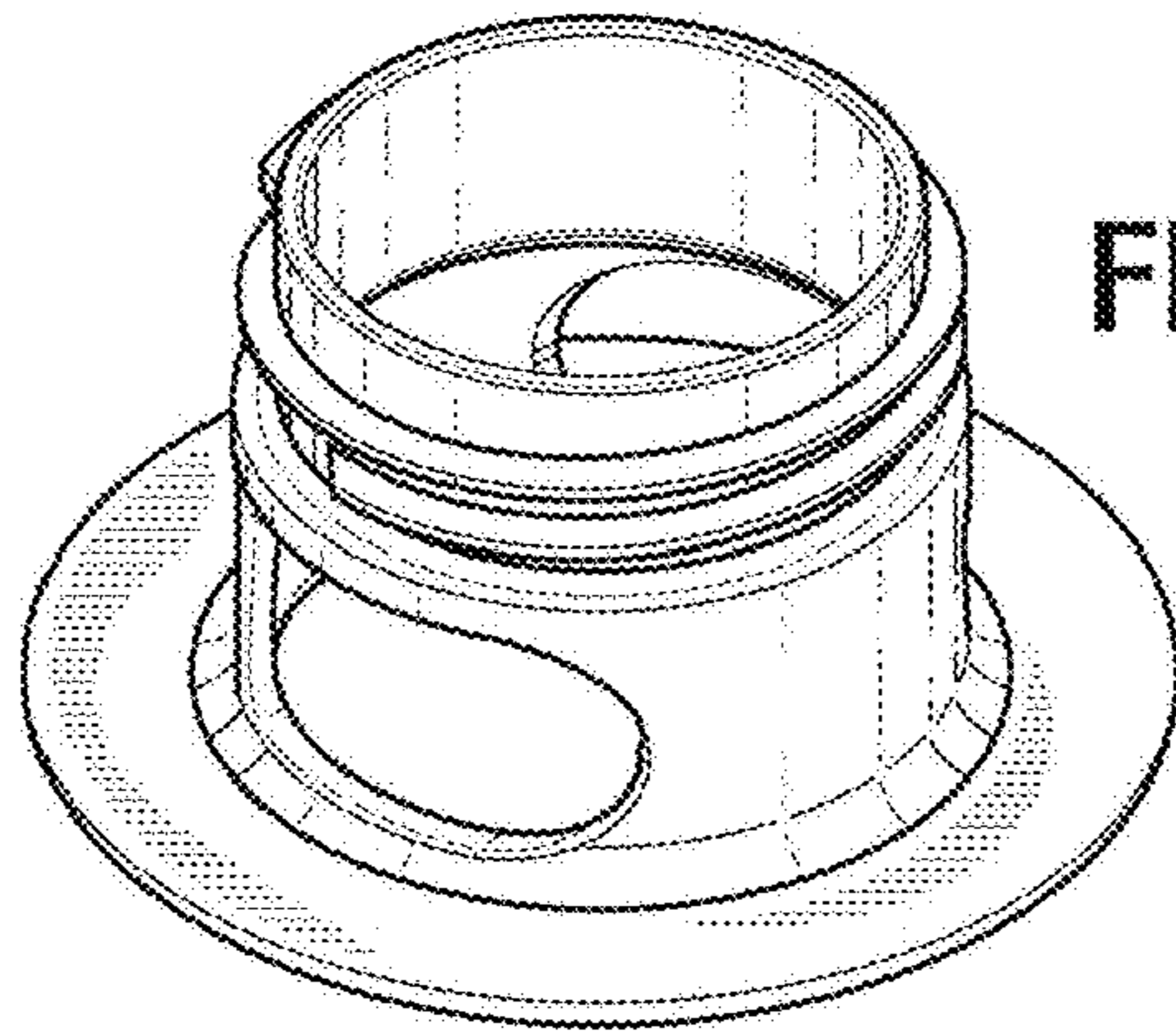


FIG. 7

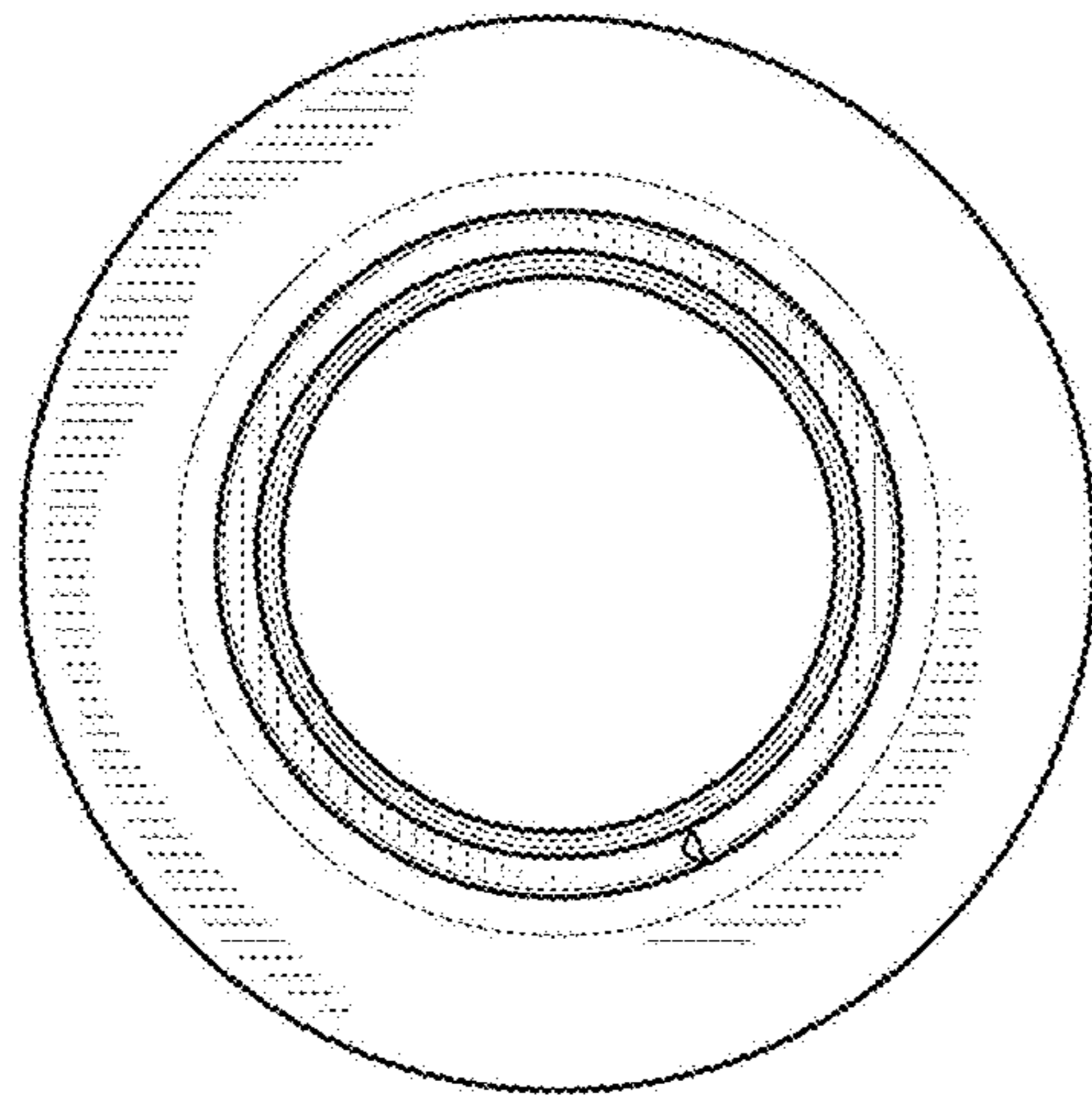


FIG. 8

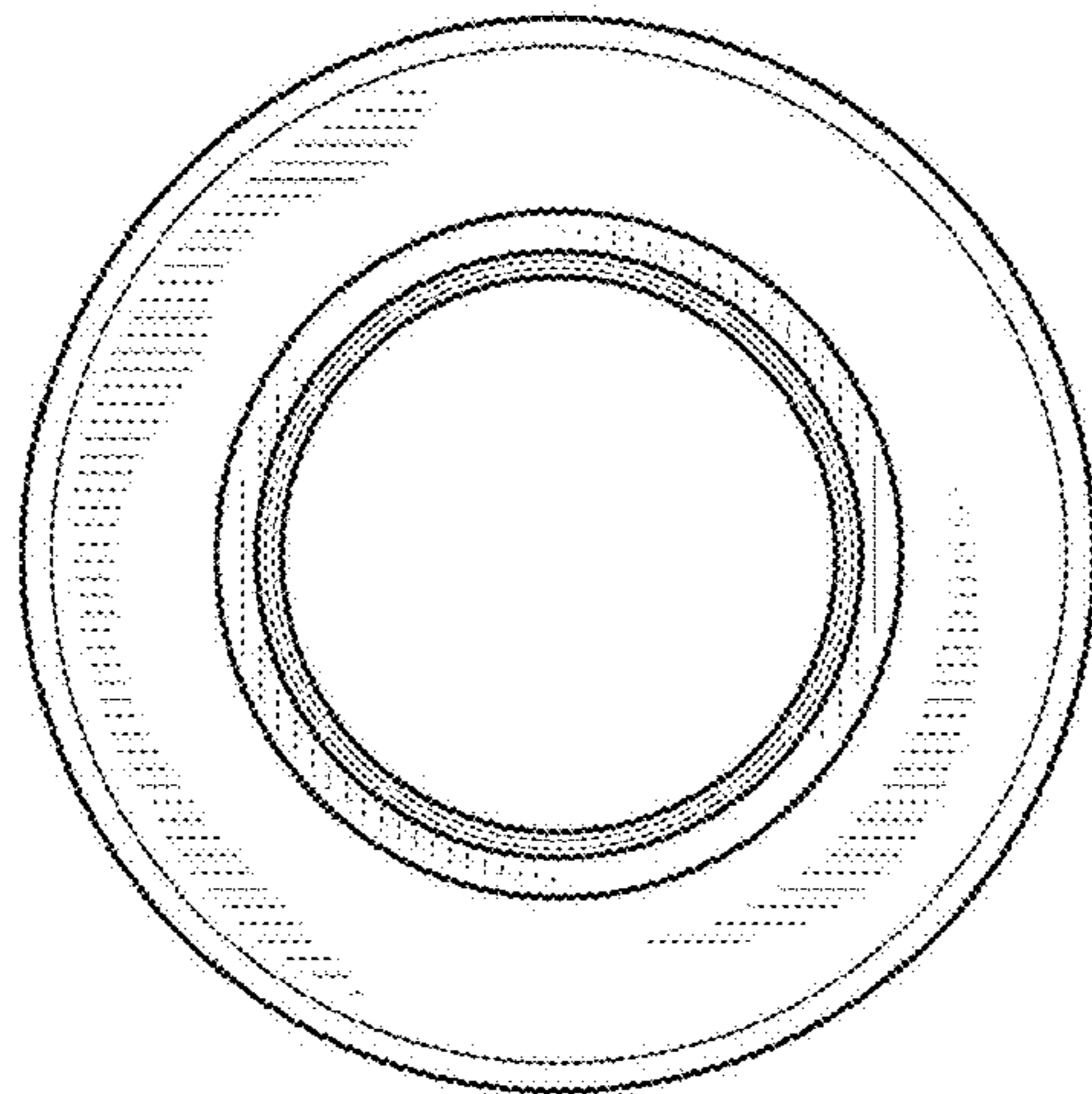


FIG. 9

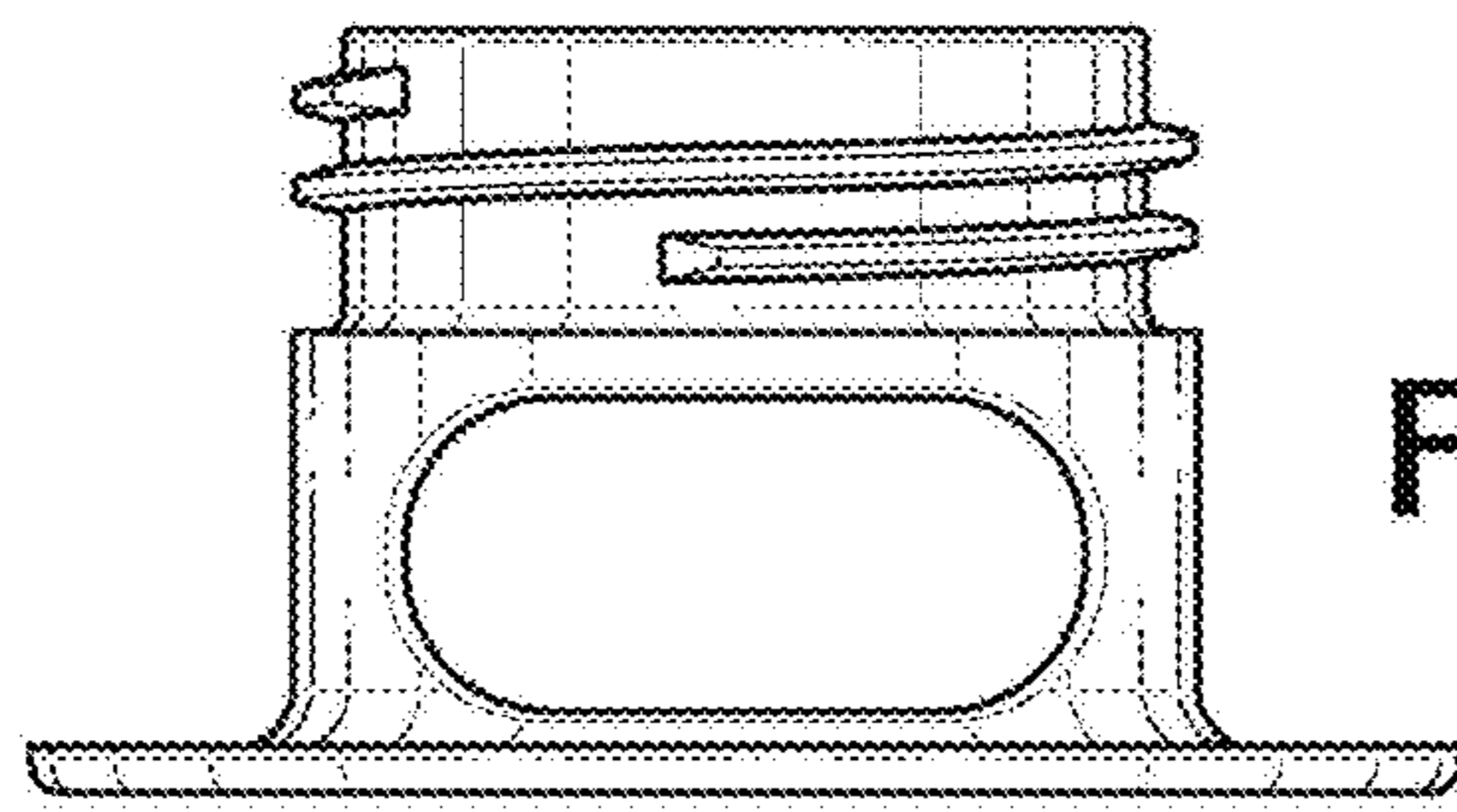


FIG. 10

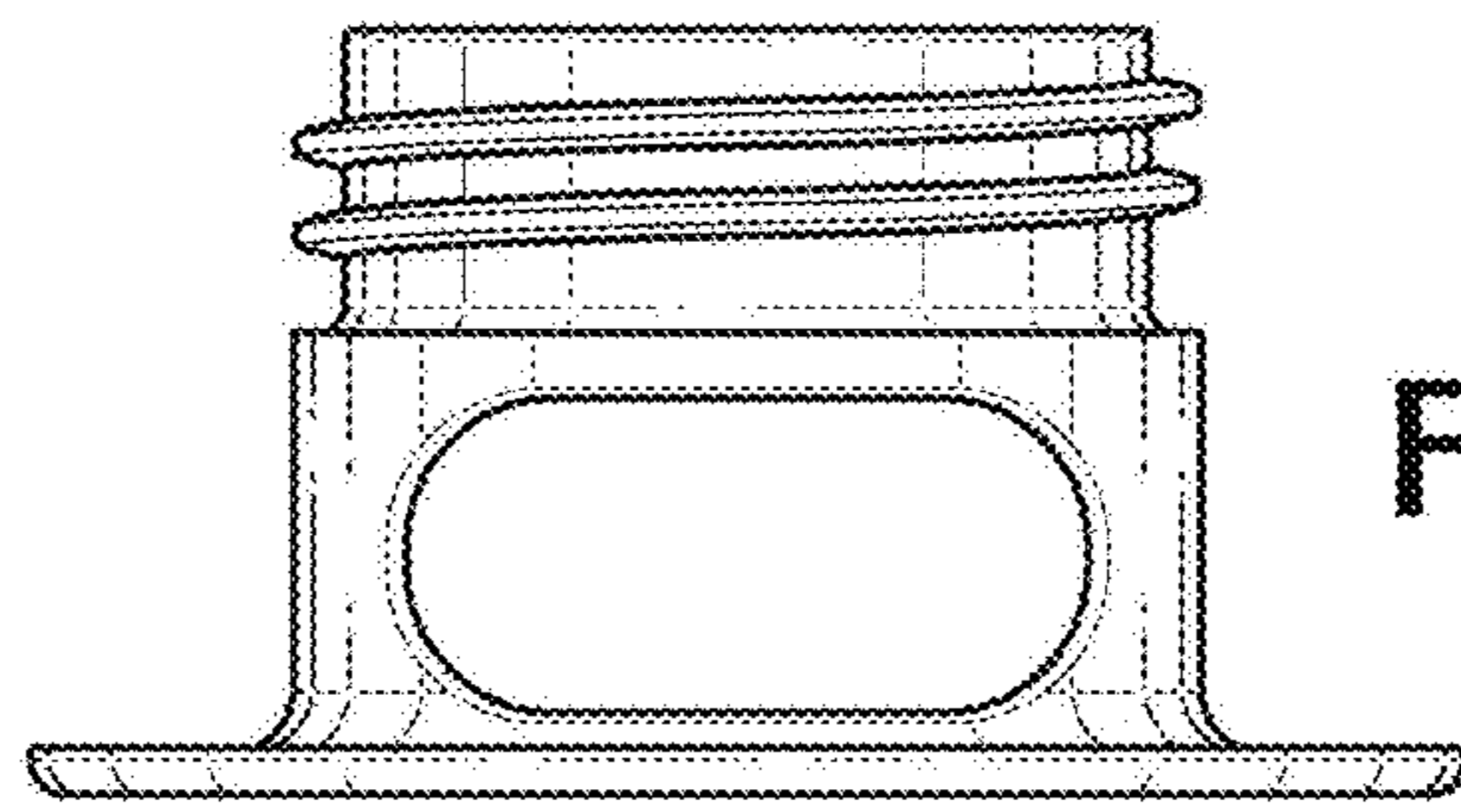


FIG. 11

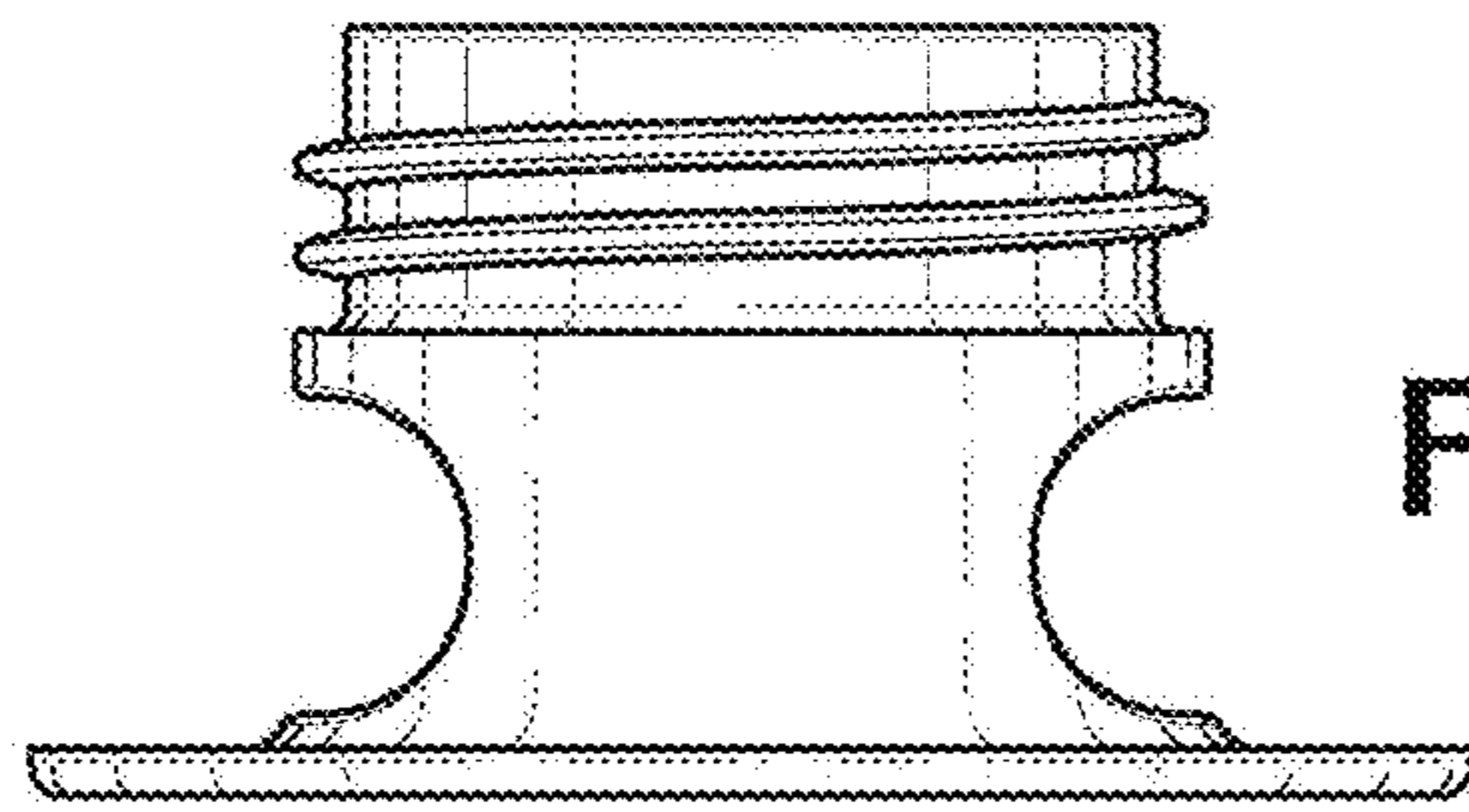


FIG. 12

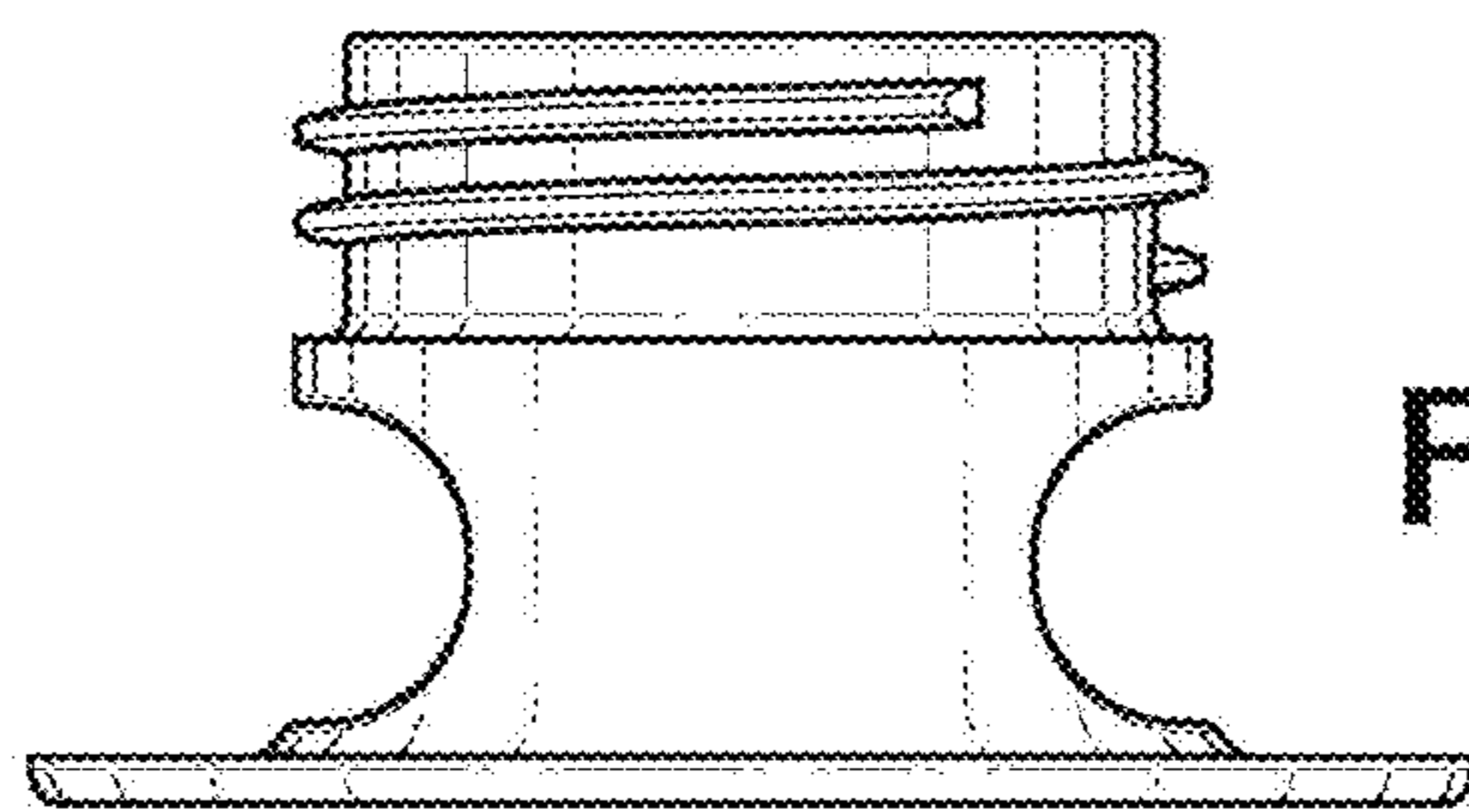


FIG. 13