



US00D820972S

(12) **United States Design Patent**
Klever et al.

(10) **Patent No.:** **US D820,972 S**
(45) **Date of Patent:** **** Jun. 19, 2018**

- (54) **WART FREEZING DEVICE**
- (71) Applicant: **PRONOVA LABORATORIES B.V.**,
Muiden (NL)
- (72) Inventors: **Diede Hendrik Paul Klever**,
Amsterdam (NL); **Maurice Rombout**,
Hazerswoude-Rijndijk (NL)
- (73) Assignee: **PRONOVA LABORATORIES B.V.**,
Muiden (NL)
- (**) Term: **15 Years**

D562,977 S *	2/2008	Forlenza	D24/133
7,604,632 B2 *	10/2009	Howlett	A61B 18/0218
				606/25
D637,848 S *	5/2011	Kramer	D6/545
D748,244 S *	1/2016	Petersen	D24/113
D748,245 S *	1/2016	Petersen	D24/113
D769,443 S *	10/2016	Held	D24/113
9,642,997 B2 *	5/2017	Ignon	A61B 17/54
2004/0102768 A1 *	5/2004	Cluzeau	A61B 18/0218
				606/25
2005/0043723 A1 *	2/2005	Howlett	A61B 18/0218
				606/22
2010/0168726 A1 *	7/2010	Brookman	A61B 18/0218
				606/22

(Continued)

- (21) Appl. No.: **29/597,037**
- (22) Filed: **Mar. 14, 2017**

Primary Examiner — Karen E Kearney
Assistant Examiner — Lilyana Bekic
 (74) *Attorney, Agent, or Firm* — Porzio Bromberg & Newman P.C.

(30) **Foreign Application Priority Data**

Dec. 20, 2016 (EM) 003527787-0001

- (51) **LOC (11) Cl.** **24-01**
- (52) **U.S. Cl.**

USPC **D24/108**; D24/113; D24/133

(58) **Field of Classification Search**

USPC D24/107, 108, 112–114, 133
 CPC A61B 18/0218; A61B 18/02; A61B
 2018/0231; A61B 2018/00452; A61M
 35/003; A61M 35/00; A61M 2037/0007;
 A61M 2210/04

See application file for complete search history.

(56) **References Cited**

U.S. PATENT DOCUMENTS

2,536,001 A *	12/1950	Chase	A61B 18/02
				433/32
2,746,264 A *	5/1956	Keyes	A61B 18/02
				606/25
D389,915 S *	1/1998	Emerson	D24/133
D423,666 S *	4/2000	Griswold	D24/133
D424,197 S *	5/2000	Sydrowski	D24/133

(57) **CLAIM**

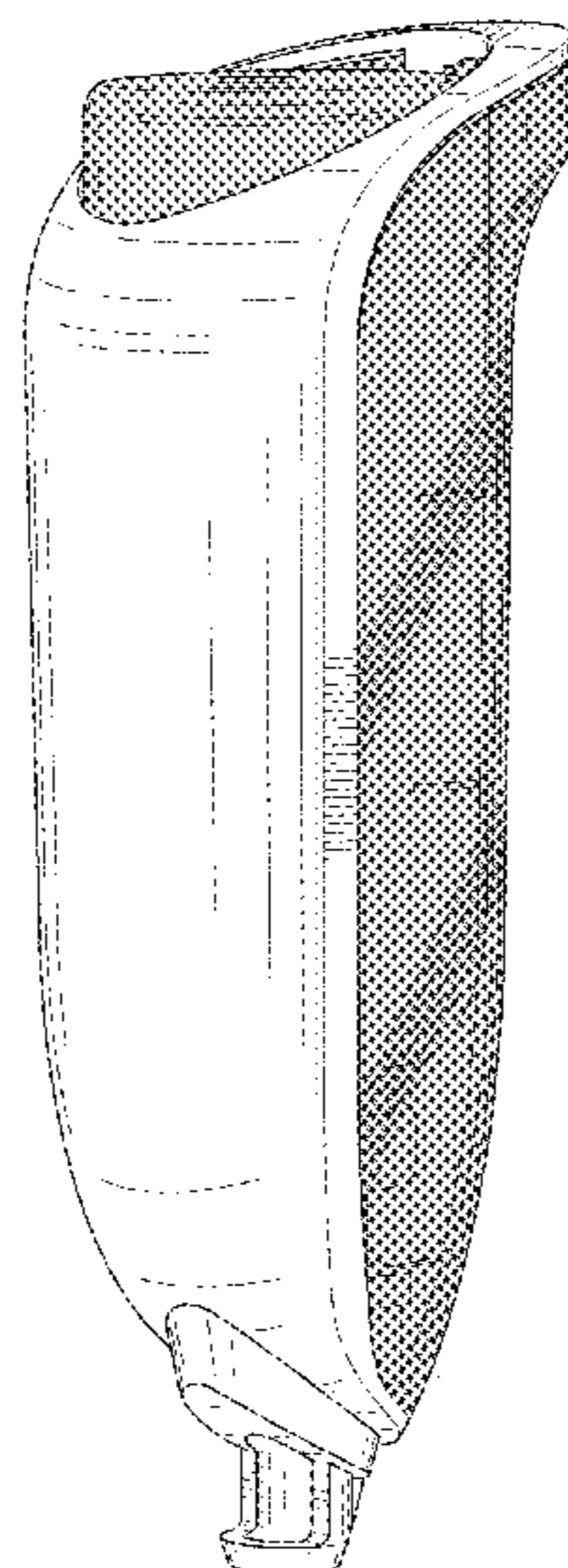
The ornamental design for a wart freezing device, as shown and described.

DESCRIPTION

The file of this patent contains at least one drawing/photograph executed in color. Copies of this patent with color drawing(s)/photograph(s) will be provided by the Office upon request and payment of the necessary fee.

- FIG. 1 is a front and right side perspective view of a wart freezing device showing our new design;
- FIG. 2 is a left side perspective view thereof;
- FIG. 3 is a front view thereof
- FIG. 4 is a rear view thereof;
- FIG. 5 is a right side view thereof;
- FIG. 6 is a left side view thereof;
- FIG. 7 is a top view thereof; and,
- FIG. 8 is a bottom view thereof.

1 Claim, 8 Drawing Sheets
(8 of 8 Drawing Sheet(s) Filed in Color)



(56)

References Cited

U.S. PATENT DOCUMENTS

2015/0045782 A1* 2/2015 Ottanelli G07F 17/005
606/25
2015/0359664 A1* 12/2015 Herweijer A61B 18/02
604/290
2017/0189627 A1* 7/2017 Klever A61M 11/02

* cited by examiner

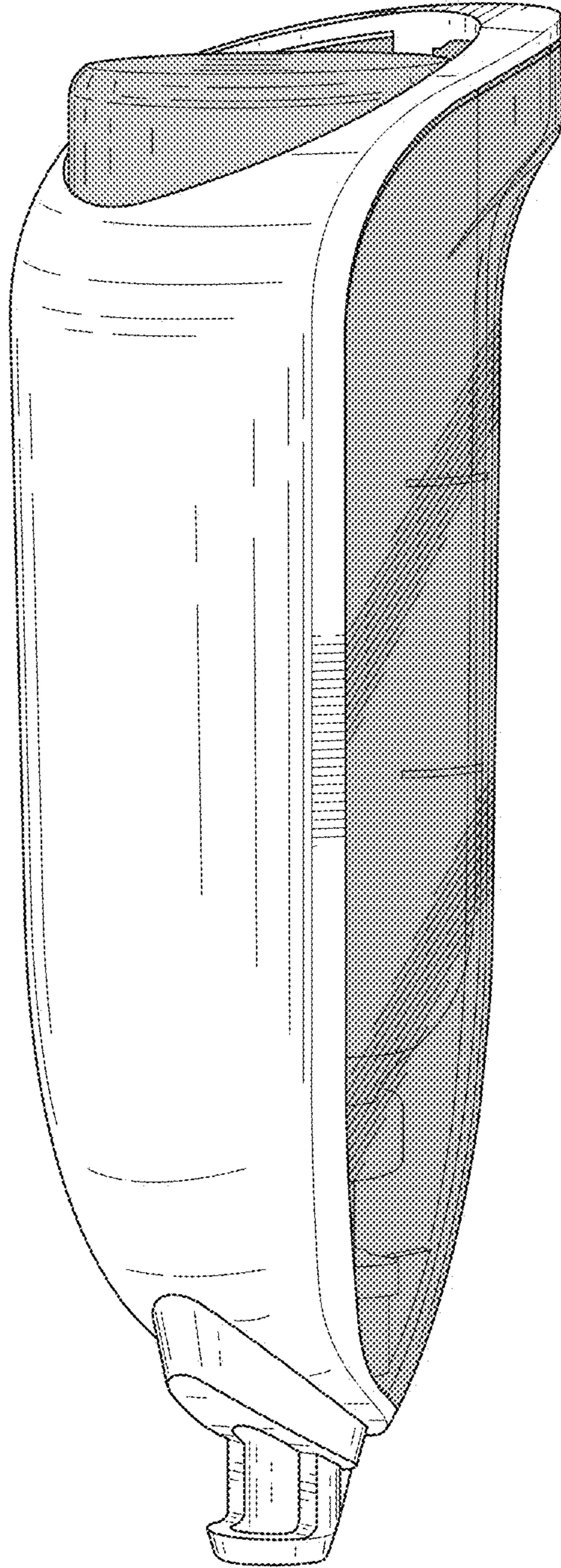


FIG. 1

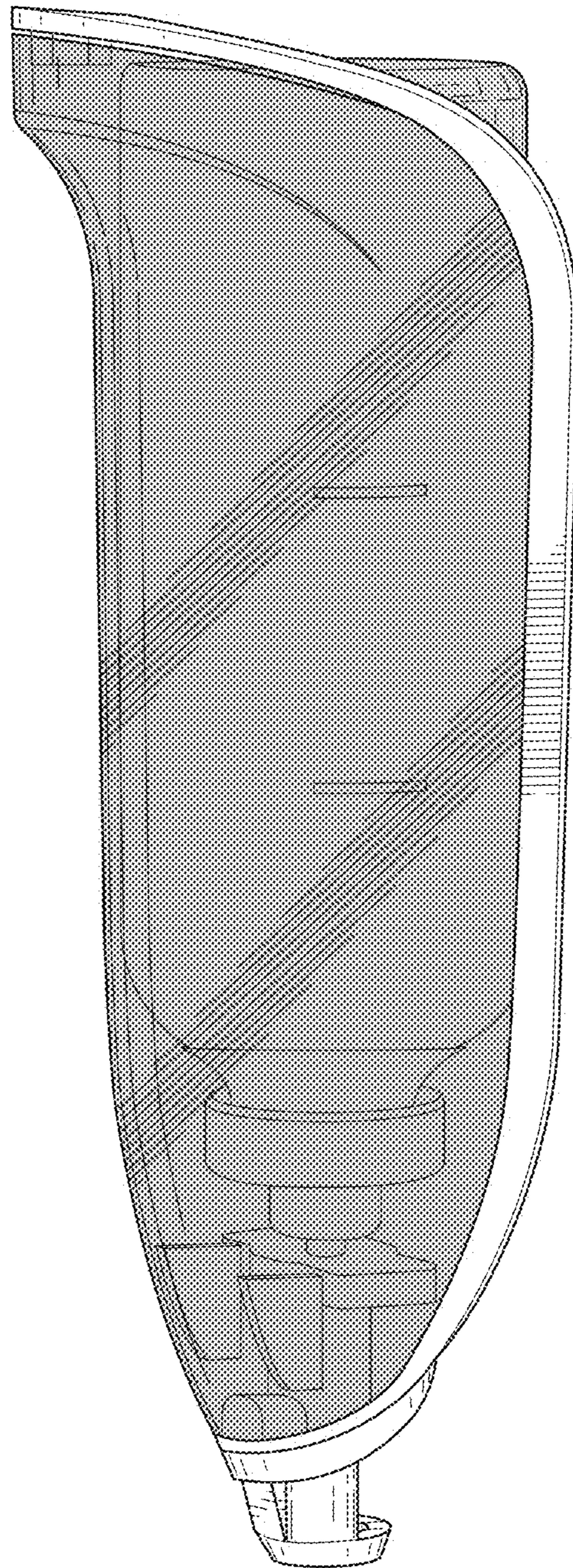


FIG. 2

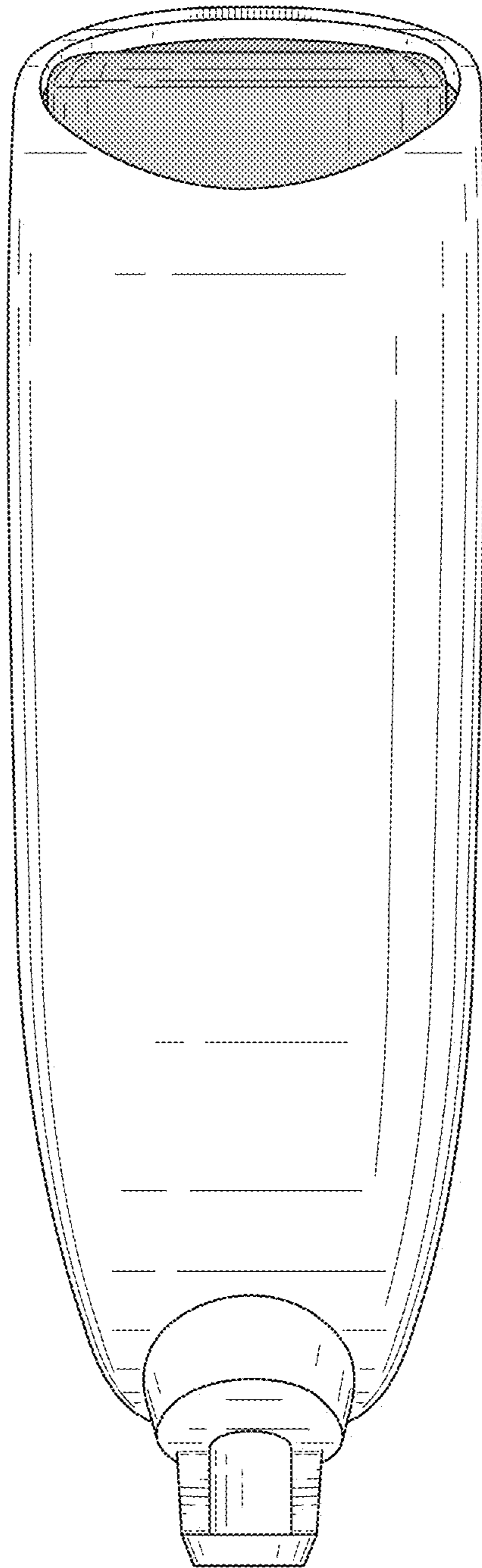


FIG. 3

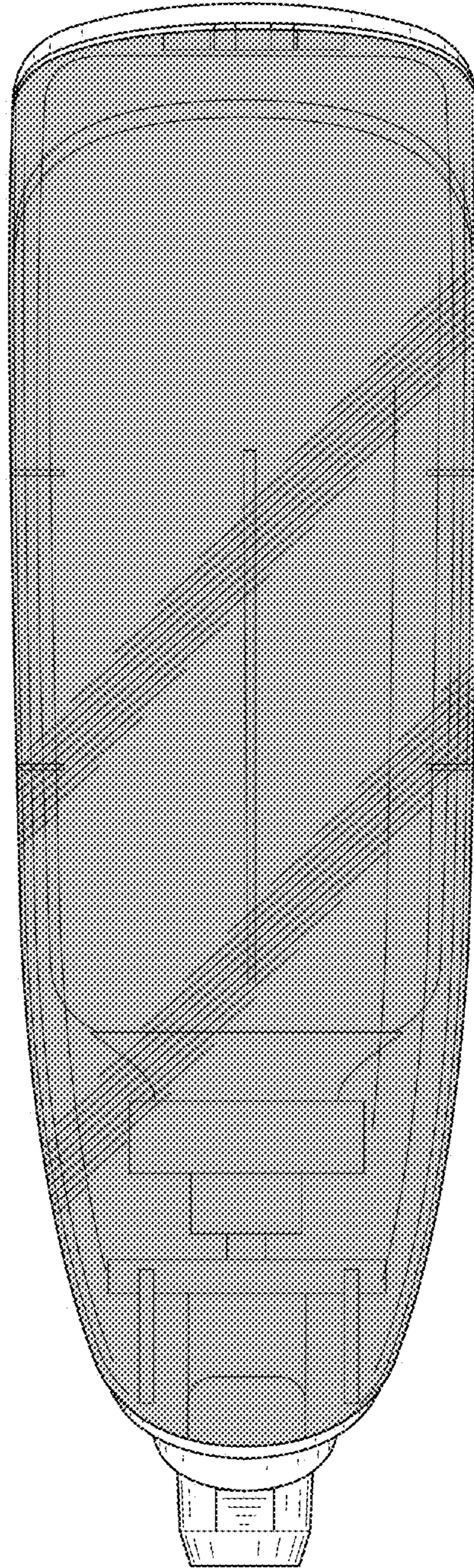


FIG. 4

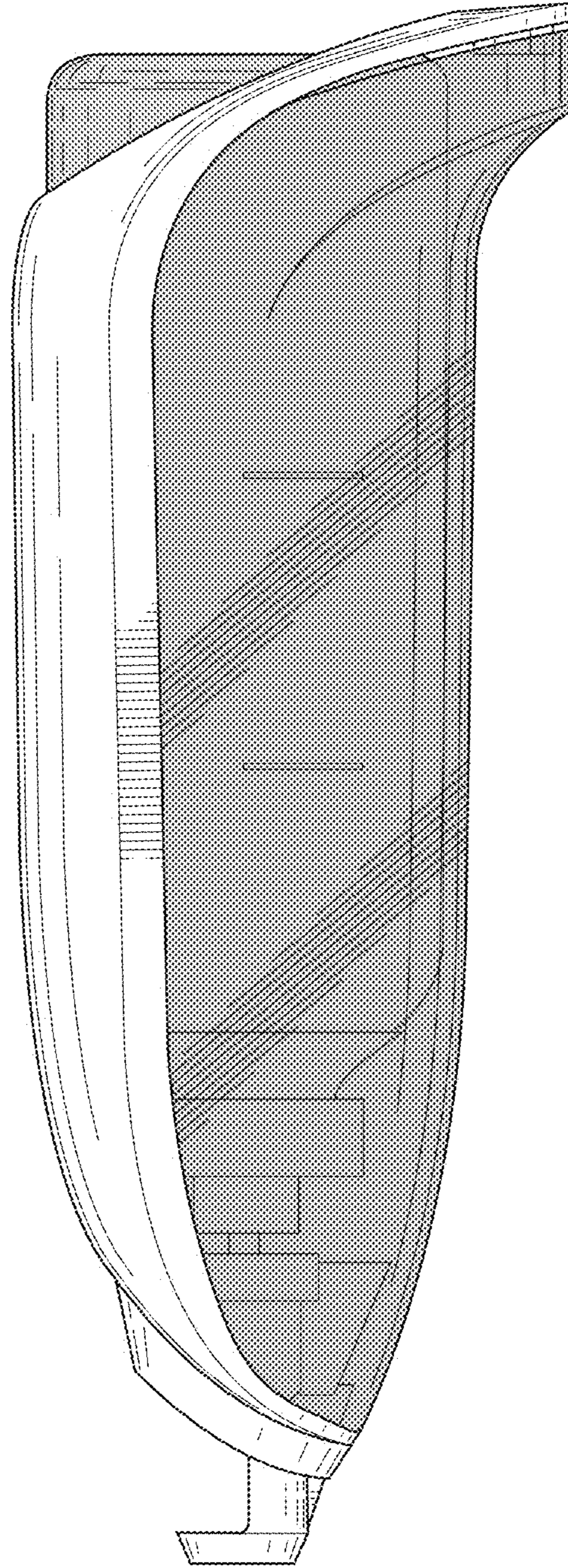


FIG. 5

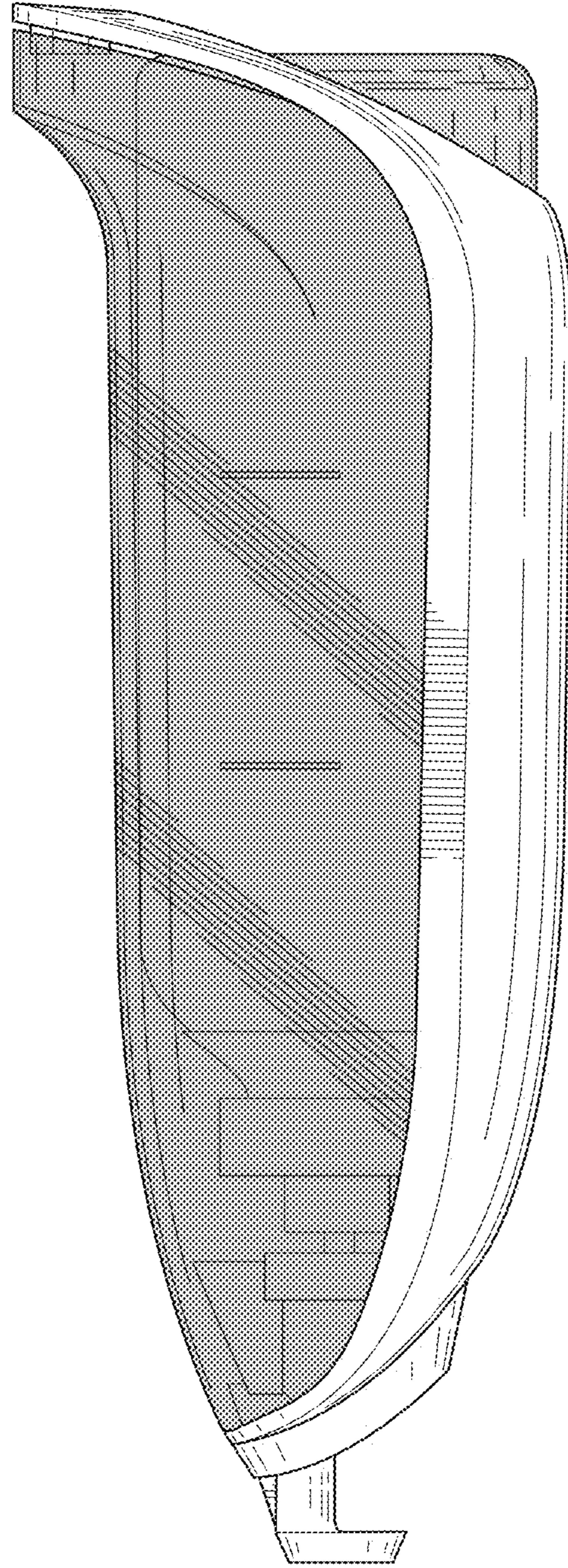


FIG. 6

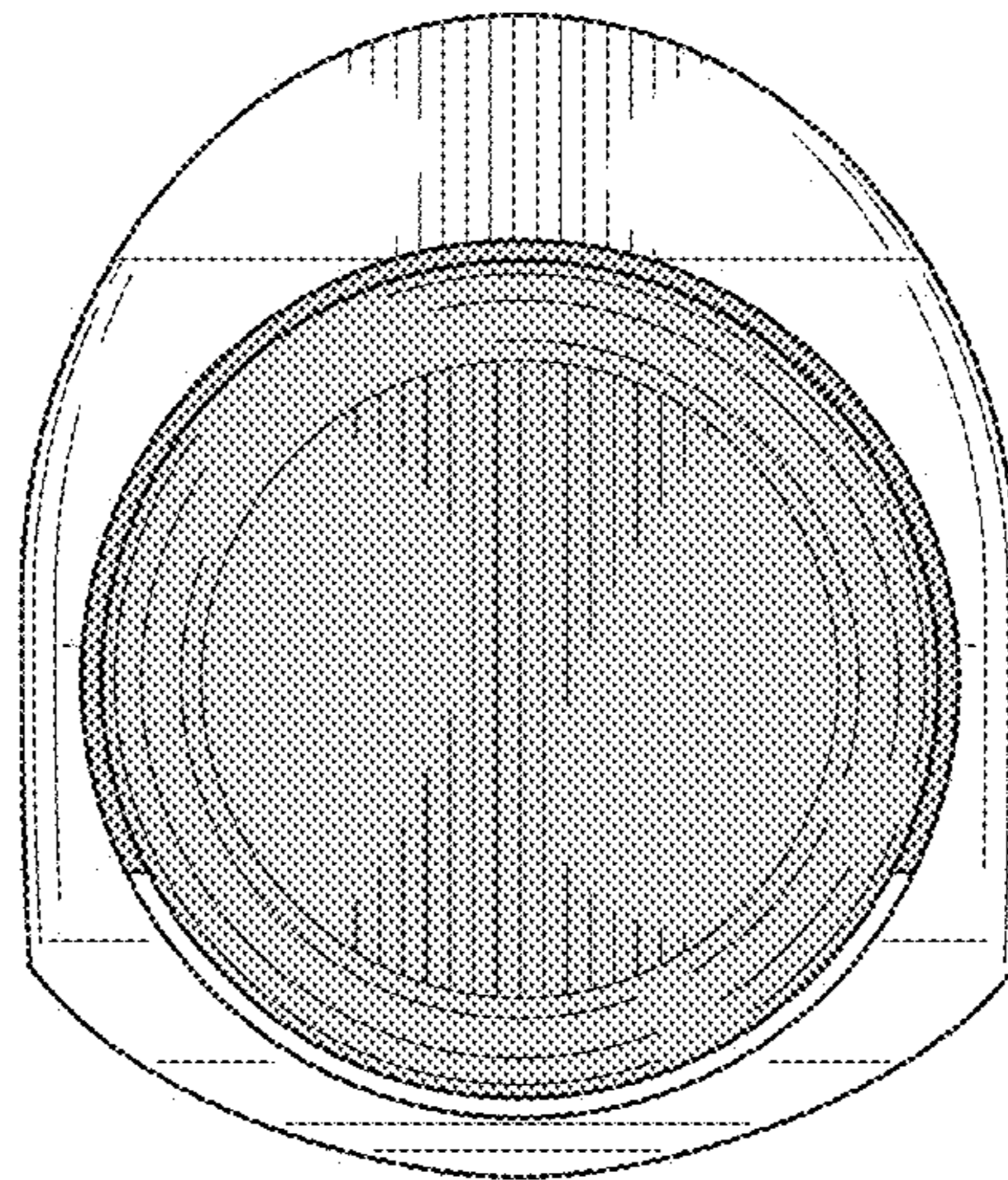


FIG. 7

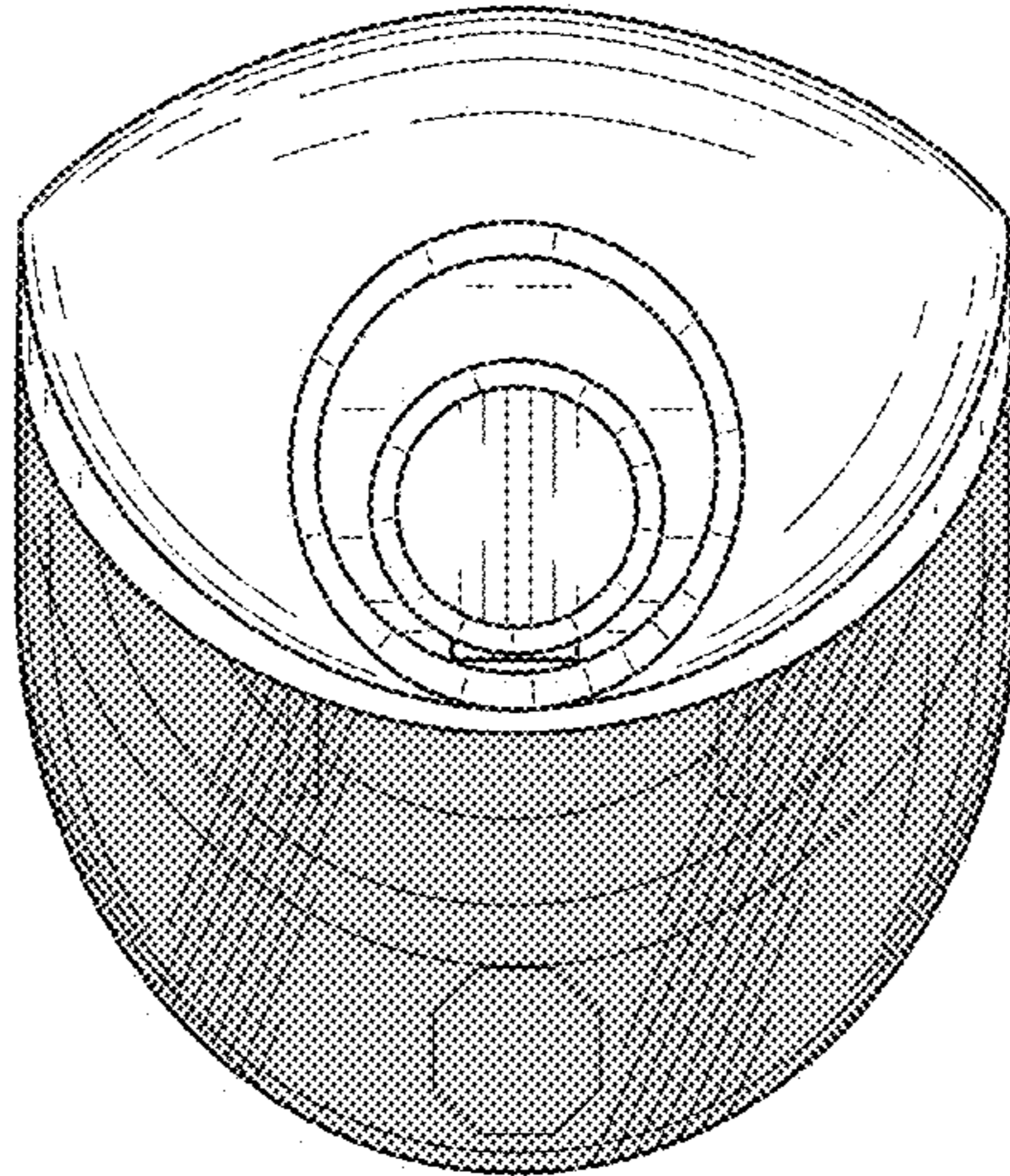


FIG. 8