

US00D820971S

(12) **United States Design Patent** (10) **Patent No.:** **US D820,971 S**
Haggar (45) **Date of Patent:** **** Jun. 19, 2018**

- (54) **CEILING FAN BLADE**
- (71) Applicant: **HUNTER FAN COMPANY**,
Memphis, TN (US)
- (72) Inventor: **Alexander Jonathan Haggar**,
Memphis, TN (US)
- (73) Assignee: **Hunter Fan Company**, Memphis, TN
(US)
- (**) Term: **15 Years**
- (21) Appl. No.: **29/619,358**
- (22) Filed: **Sep. 28, 2017**

- D515,695 S 2/2006 Badarello
- D580,045 S * 11/2008 Orozco D23/413
- D594,542 S 6/2009 Pan
- D596,737 S 7/2009 Pan
- D603,955 S 11/2009 Patton
- D607,988 S 1/2010 Oleson
- D609,799 S 2/2010 Lee
- D628,688 S 12/2010 Pan

(Continued)

OTHER PUBLICATIONS

<http://www.kichler.com/products/product/42-inch-innes-ii-fan-ni-300130ni.aspx>, Item Specification for Innes II 42" Collection 42 Inch Innes II Fan NI, accessed on Sep. 29, 2016.

(Continued)

Primary Examiner — Janice Hallmark
(74) *Attorney, Agent, or Firm* — McGarry Bair PC

Related U.S. Application Data

- (62) Division of application No. 29/579,420, filed on Sep. 29, 2016, now Pat. No. Des. 805,623.
- (51) **LOC (11) Cl.** **23-04**
- (52) **U.S. Cl.**
USPC **D23/413**
- (58) **Field of Classification Search**
USPC D23/370, 377, 379, 381, 382, 385, 411,
D23/413, 414, 332, 328; D26/59
CPC F04D 25/08; F04D 29/388; F04D 29/34;
F04D 25/088; H02K 1/187
See application file for complete search history.

(57) **CLAIM**

The ornamental design for a ceiling fan blade, as shown and described.

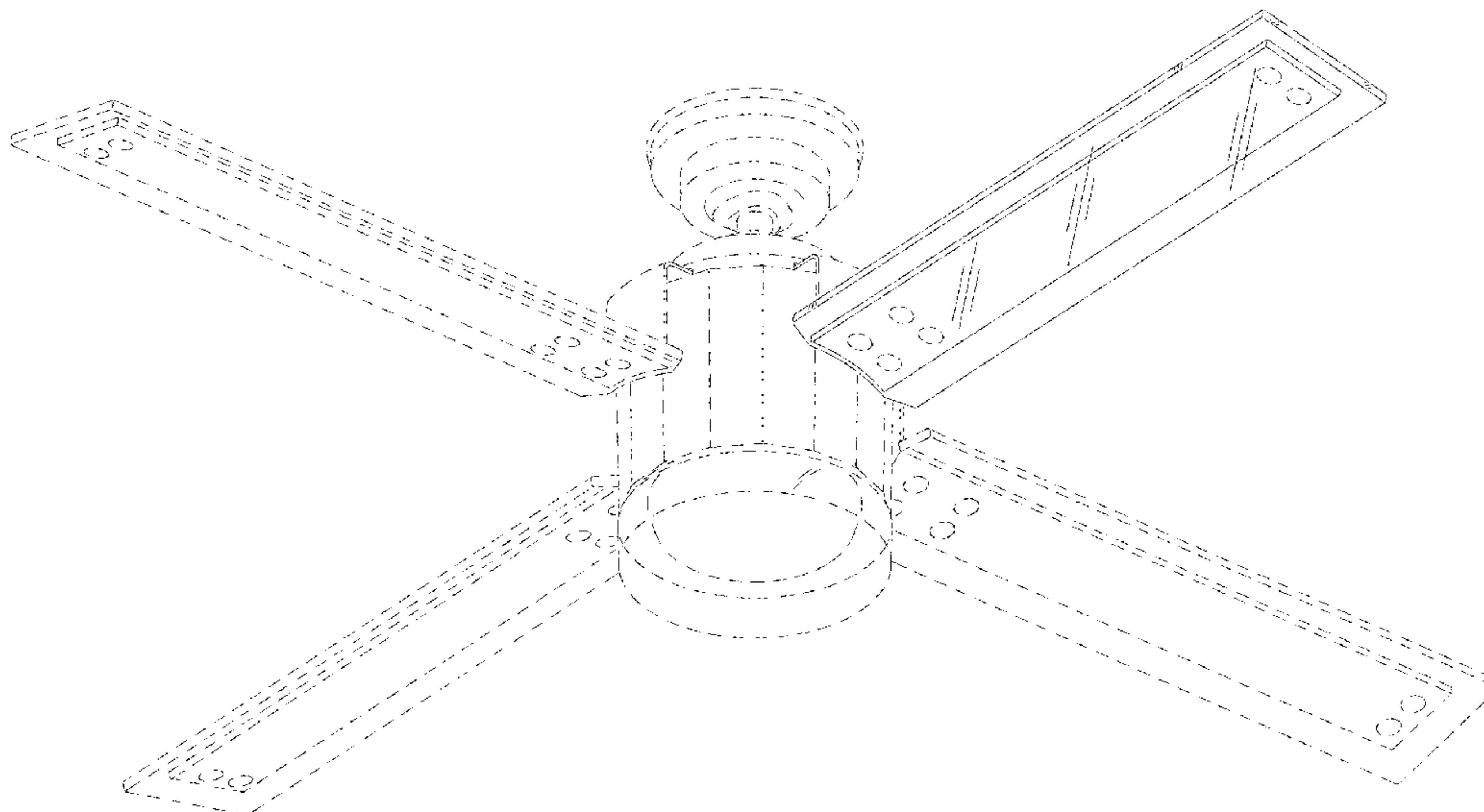
DESCRIPTION

FIG. 1 is a top perspective view of a ceiling fan blade in the environment of a ceiling fan showing my new design; FIG. 2 is a bottom perspective view of the ceiling fan blade of FIG. 1; FIG. 3 is a top view of the ceiling fan blade of FIG. 1; FIG. 4 is a bottom view of the of the ceiling fan blade of FIG. 1; FIG. 5 is a right side view of the ceiling fan blade of FIG. 1; FIG. 6 is a left side view of the ceiling fan blade of FIG. 1; FIG. 7 is a front view of the ceiling fan blade of FIG. 1; and, FIG. 8 is a rear view of the ceiling fan blade of FIG. 1. The broken lines depict environmental subject matter and form no part of the claimed design.

(56) **References Cited**
U.S. PATENT DOCUMENTS

- D297,974 S 10/1988 Sonneman
- D312,688 S 12/1990 Mason
- D314,618 S 2/1991 Yen
- D322,475 S 12/1991 Markwardt
- D328,785 S 8/1992 Markwardt
- D333,867 S 3/1993 Markwardt
- D430,930 S 9/2000 Zuege
- D480,465 S 10/2003 Wilson

1 Claim, 5 Drawing Sheets



(56)

References Cited

U.S. PATENT DOCUMENTS

D706,407 S	6/2014	Wang	
D726,299 S *	4/2015	Schulzman	D23/413
D741,988 S	10/2015	Pan	
D744,083 S	11/2015	Wang	
D744,084 S	11/2015	Wang	
D744,634 S	12/2015	Wang	
D745,658 S *	12/2015	Wang	D23/413
D774,175 S	12/2016	Wang	
D776,251 S *	1/2017	Pickett	D23/413
D778,422 S	2/2017	Gajewski	
D797,274 S *	9/2017	Wang	D23/411
D799,687 S *	10/2017	Wang	D23/413
D801,516 S *	10/2017	Wang	D23/413
D805,623 S *	12/2017	Haggar	D23/377
2010/0278637 A1	11/2010	Oleson et al.	
2013/0220542 A1 *	8/2013	Parkin	F04D 29/324 156/331.7

OTHER PUBLICATIONS

<http://www.ylighting.com/modern-fan-flute-ceiling-fan.html>, Item Specification for Modern Fan Company Flute Ceiling Fan, accessed on Sep. 29, 2016.

<http://www.minkagroup.net/products/f828-whf>, Item Specification for F828-WHF Symbio, accessed Sep. 29, 2016.

<http://www.craftmade.com/Craftmade-KAP54BNK3-Nickel-Ceiling-Fan.HTM>, Item Specification for KAP54BNK3—Kapiz, accessed Sep. 29, 2016.

<http://www.craftmade.com/Craftmade-SON52CH-Chrome-Ceiling-Fan-Motor.HTM>, Item Specification for SON52CH—Sonnet, accessed Sep. 29, 2016.

<http://www.fanimation.com/products/index.php/fans/zonix-led.html>, Item Specification for Zonix LED, accessed Sep. 29, 2016.

<http://www.quoruminternational.com/index.cfm/app/productDetail?product=96608-65>, Item Specification for 96608-65, accessed Sep. 29, 2016.

<http://www.homedepot.com/p/Replacement-Ceiling-Fan-Blades-Beech-Walnut-5-Pack-FB14909/206300370>, Replacement Ceiling Fan Blades Beech/Walnut (5-Pack), accessed Sep. 29, 2016.

<http://www.kichler.com/products/product/48-in-pc-blade-for-arkwright-ap-370029ap.aspx>, Arkwright Collection 48 In. PC Blade for Arkwright AP, accessed Sep. 29, 2016.

<http://www.minkagroup.net/all-collections?keys=symbio>, Symbio 56" Ceiling Fan, accessed Sep. 29, 2016.

<http://www.minkagroup.net/all-collections?keys=flyte>, Flyte 56" Ceiling Fan, accessed Sep. 29, 2016.

<http://www.ylighting.com/modern-fan-torsion-ceiling-fan.html>, Modern Fan Company Torsion Ceiling Fan, accessed Sep. 29, 2016.

<http://www.hunterfan.com/Ceiling-Fans/Stockbridge?ModelNumber=55042>, Stockbridge®—70" Ceiling Fan, accessed Sep. 29, 2016.

<http://www.horchow.com/Milo-52-Acrylic-Ceiling-Fan/cprod107380005/p.prod>, Milo 52" Acrylic Ceiling Fan, accessed Sep. 29, 2016.

<http://www.minkagroup.net/products/f803-dk>, Minka Artemis F803-DK, accessed Sep. 29, 2016.

<http://www.delmarfans.com/quorum-ceiling-fans/prizzm/400525-14/>, Quorum 400525-14, Prizzm Chrome 52" Ceiling Fan, accessed Sep. 29, 2016.

<http://www.quorumlightinglights.com/product/quorum-retro-indoor-ceiling-fans-93524-14.html>, Quorum 93524-14 Retro 52 inch Chrome with Clear Acrylic Blades Ceiling Fan, accessed Sep. 29, 2016.

<http://www.quorumlightinglights.com/product/quorum-jellyfish-indoor-ceiling-fans-14583-914.html>, Quorum 14583-914 Jellyfish 58 inch Chrome with Clear Blades Ceiling Fan, accessed Sep. 29, 2016.

* cited by examiner

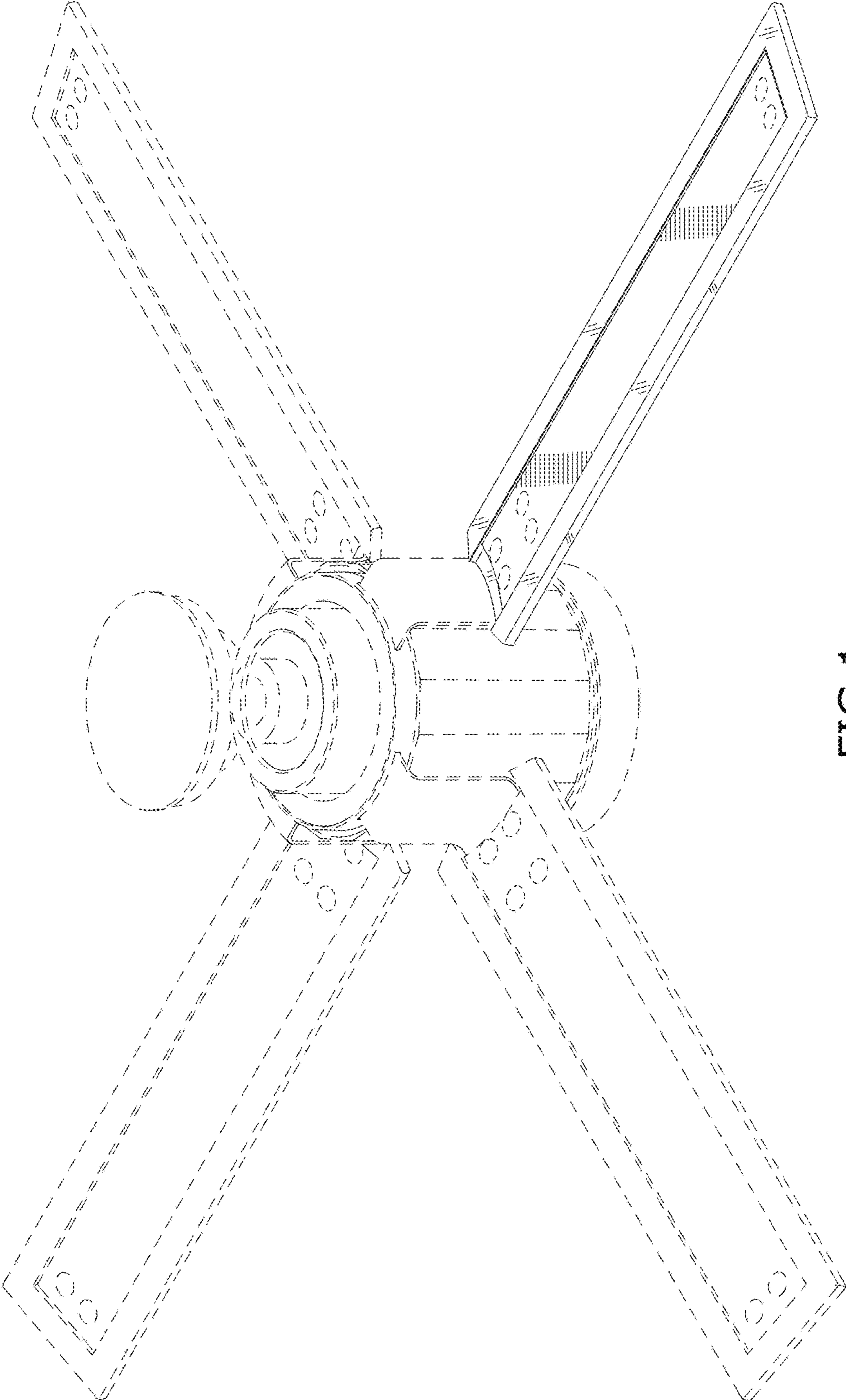


FIG.1

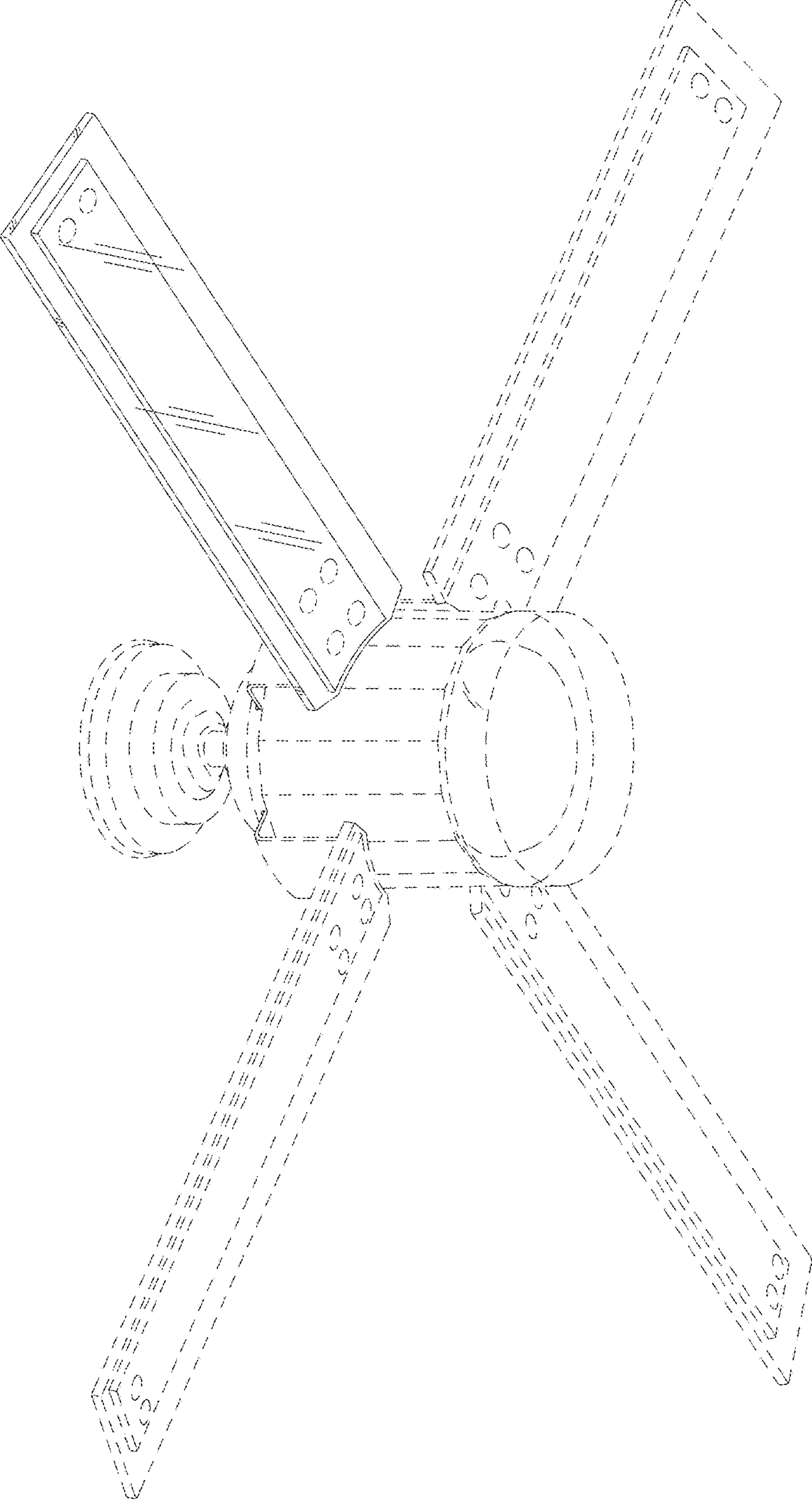


FIG.2

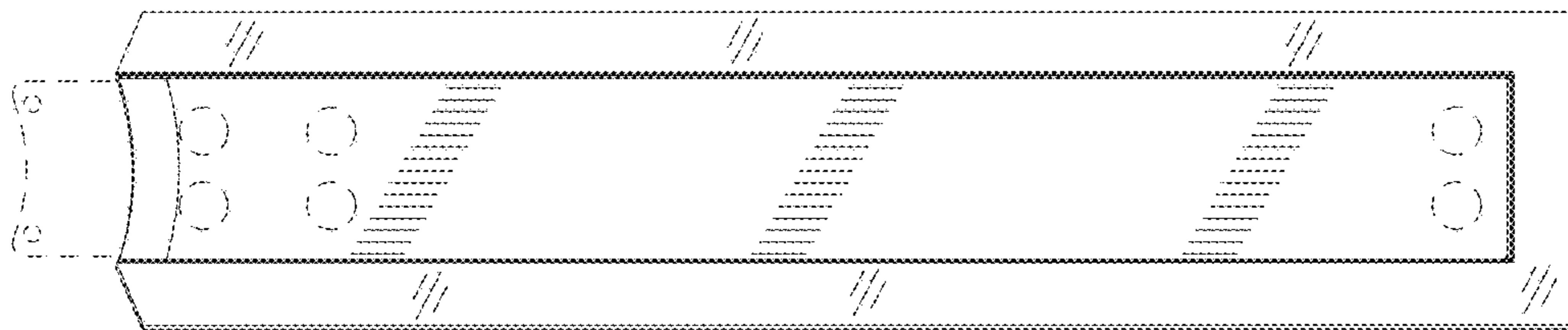


FIG.3

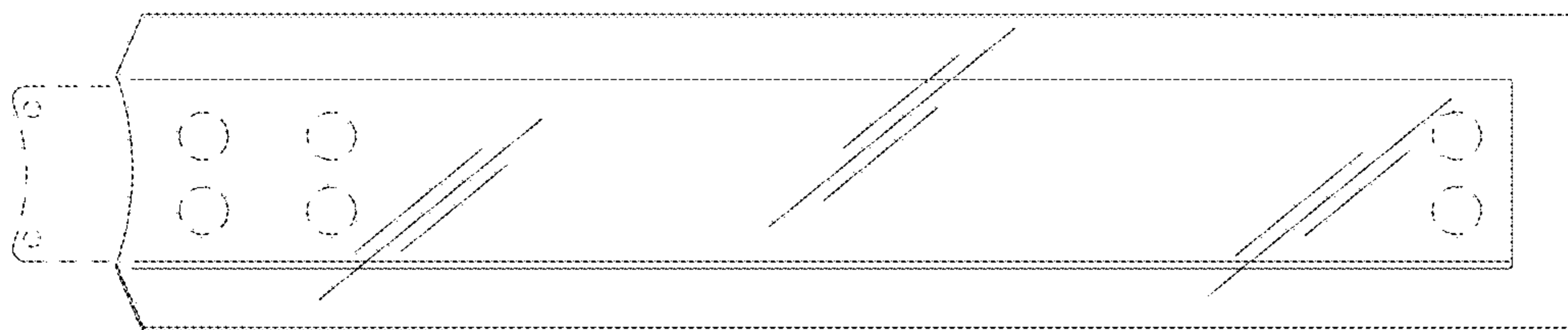


FIG.4

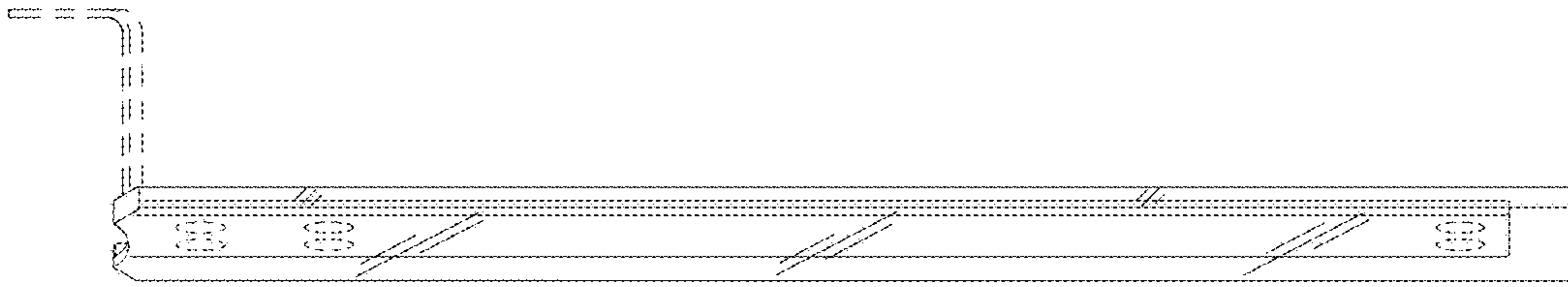


FIG.5



FIG.6

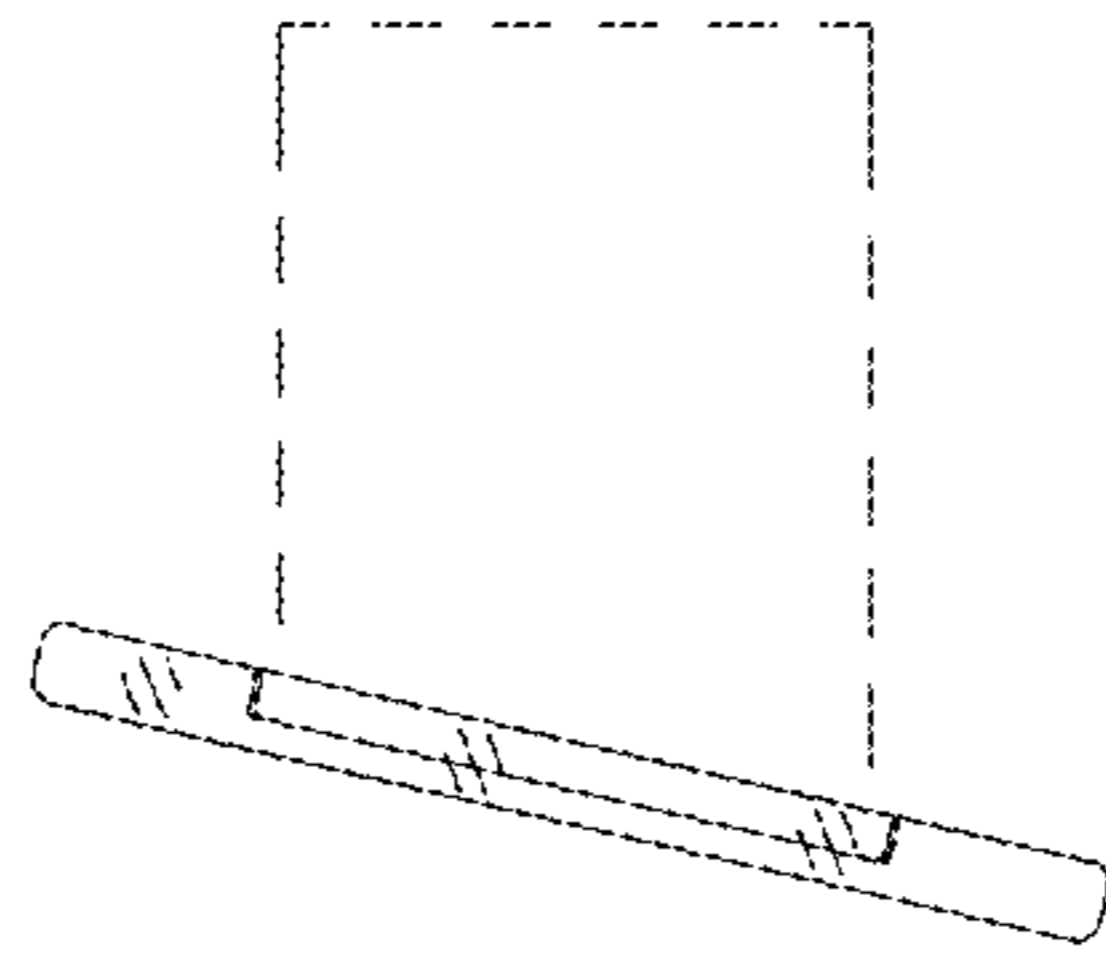


FIG. 7

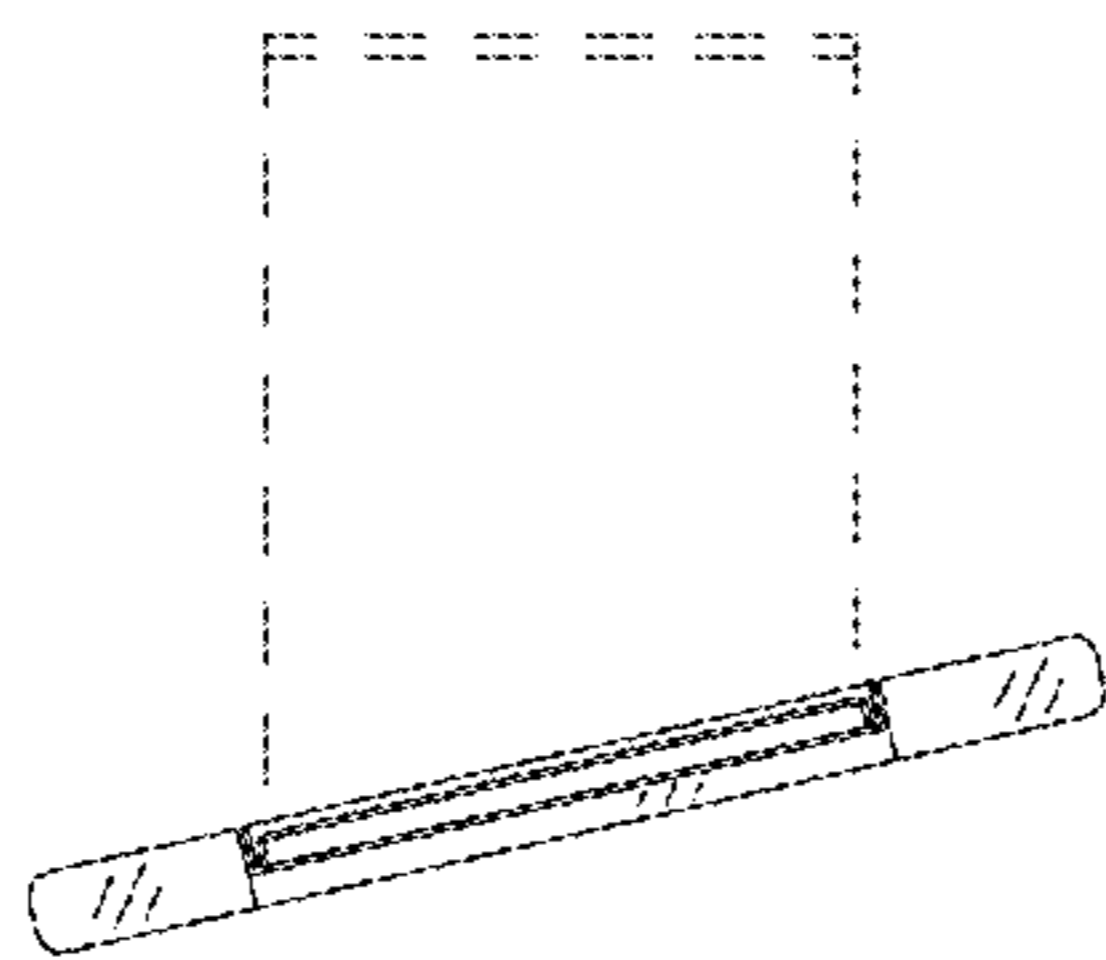


FIG. 8