



US00D820970S

(12) **United States Design Patent**
Badarello

(10) **Patent No.:** **US D820,970 S**
(45) **Date of Patent:** **** Jun. 19, 2018**

- (54) **CEILING FAN BLADE**
- (71) Applicant: **HUNTER FAN COMPANY**,
Memphis, TN (US)
- (72) Inventor: **Christophe Badarello**, Holly Springs,
MS (US)
- (73) Assignee: **Hunter Fan Company**, Memphis, TN
(US)
- (**) Term: **15 Years**
- (21) Appl. No.: **29/617,931**
- (22) Filed: **Sep. 18, 2017**

Related U.S. Application Data

- (63) Continuation of application No. 29/514,389, filed on
Jan. 12, 2015, now Pat. No. Des. 803,379.
- (51) **LOC (11) Cl.** **23-03**
- (52) **U.S. Cl.**
USPC **D23/413**
- (58) **Field of Classification Search**
USPC D23/332, 370-385, 411-414, 499
CPC F04D 25/088; F04D 29/38; F04D 29/34
See application file for complete search history.

References Cited

U.S. PATENT DOCUMENTS

- 2,022,417 A 11/1935 Gilbert et al.
- 2,095,223 A * 10/1937 Samuels F04D 29/382
416/219 A
- D125,957 S * 3/1941 Moeller D23/413
- D189,300 S * 11/1960 McLean D23/413
- D206,695 S * 1/1967 Dickinson 416/245 A
- D209,250 S * 11/1967 Woodstock D23/379
- 4,893,990 A 1/1990 Tomohiro et al.
- D329,088 S * 9/1992 Yuen D23/377
- D397,427 S 8/1998 Junkel et al.

- D419,669 S * 1/2000 Shinshi D23/411
- D438,609 S 3/2001 Colliver
- D451,997 S 12/2001 Schwartz
- D454,390 S 3/2002 Steiner
- D454,631 S * 3/2002 Steiner D23/379
- D468,010 S 12/2002 Ishijima et al.
- D477,393 S 7/2003 Johnson
- D484,064 S 12/2003 Heary, Sr.
- 6,702,552 B1 3/2004 Harman

(Continued)

OTHER PUBLICATIONS

<http://www.kichler.com/products/product/terna-led-pendant-fan-brushed-nickel-ni-300230ni.aspx>, Item Specification for Terna LED Pendant Fan—Brushed Nickel NI 300230NI, accessed Apr. 9, 2015.

(Continued)

Primary Examiner — Cathron C Brooks

Assistant Examiner — Sharon S Oum

(74) *Attorney, Agent, or Firm* — McGarry Bair PC

(57) **CLAIM**

The ornamental design for a ceiling fan blade, as shown and described.

DESCRIPTION

FIG. 1 is a top perspective view of a ceiling fan blade showing my new design, with a ceiling fan shown in broken lines;

FIG. 2 is a bottom perspective view of the ceiling fan blade of FIG. 1;

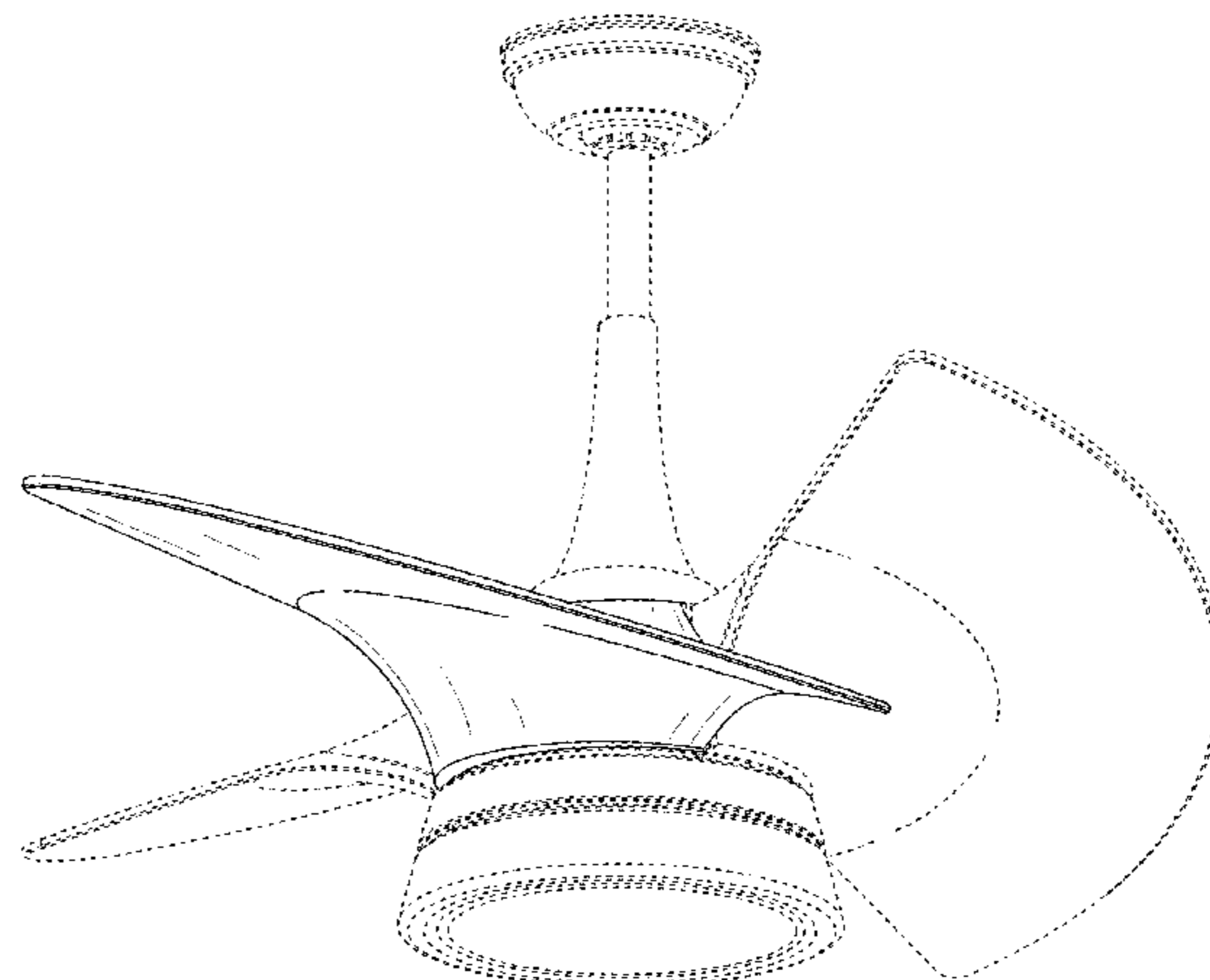
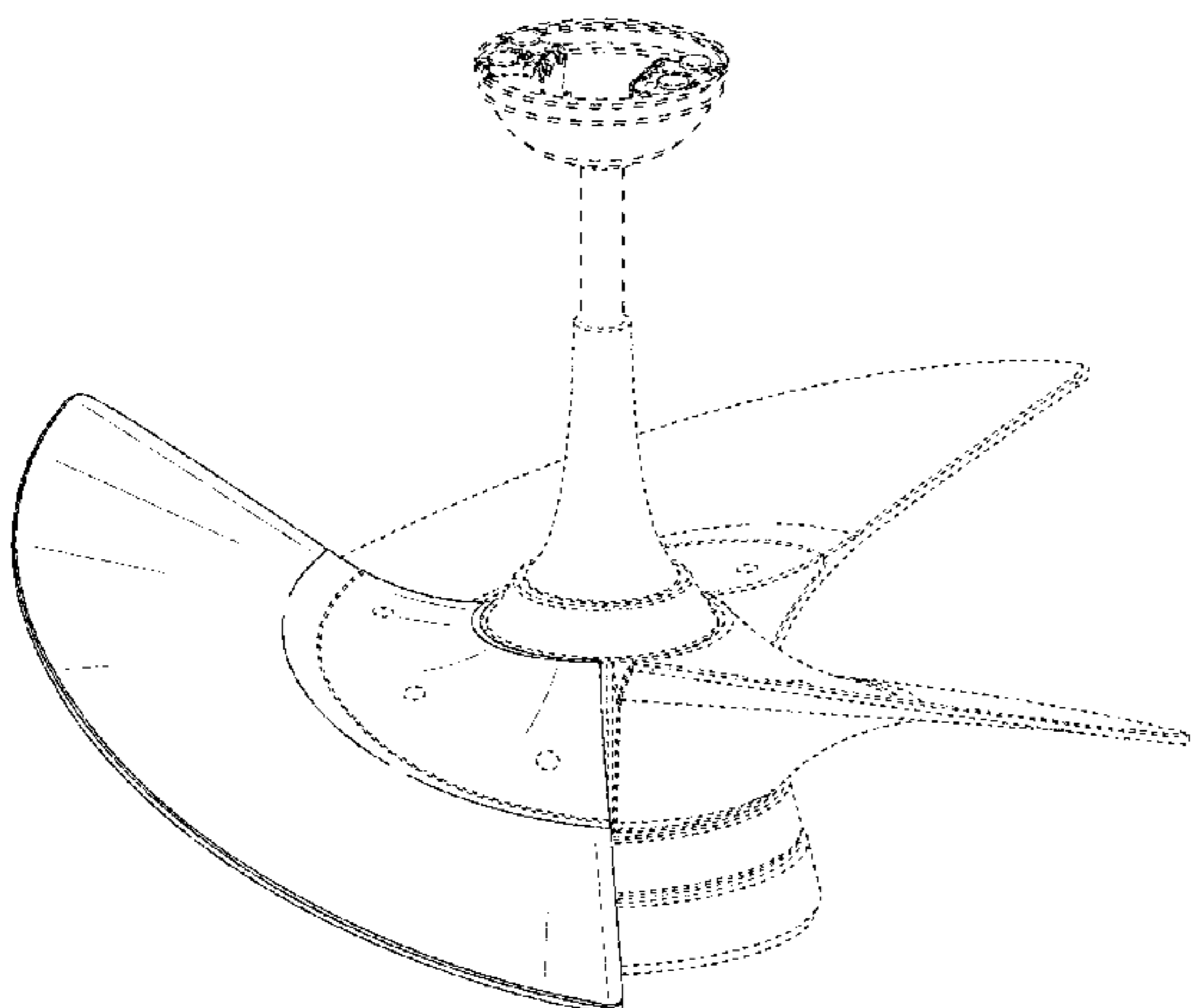
FIG. 3 is a side view of the ceiling fan blade of FIG. 1;

FIG. 4 is a front view of the ceiling fan blade of FIG. 1;

FIG. 5 is a top view of the ceiling fan blade of FIG. 1; and,

FIG. 6 is a bottom view of the ceiling fan blade of FIG. 1. The broken lines illustrate portions of the ceiling fan blade, and a ceiling fan. None of the broken lines form part of the claimed design.

1 Claim, 6 Drawing Sheets



(56)

References Cited

U.S. PATENT DOCUMENTS

6,902,377 B2 6/2005 Crocker
 D509,584 S 9/2005 Li et al.
 D513,317 S 12/2005 Melwani
 D558,324 S 12/2007 Hong
 D561,888 S 2/2008 Yang et al.
 D595,401 S 6/2009 Sturm et al.
 D597,649 S 8/2009 Frampton
 D629,501 S 12/2010 Liu
 D636,480 S 4/2011 Frampton
 D645,556 S * 9/2011 Orozco D23/413
 8,043,064 B2 10/2011 Huang et al.
 D671,203 S 11/2012 Wang
 D681,188 S 4/2013 Hu et al.
 D688,783 S 8/2013 DeFilippis
 D725,251 S * 3/2015 Hamada D12/214
 D725,252 S 3/2015 Hamada et al.
 D727,490 S 4/2015 Hatz
 D755,945 S * 5/2016 Arai D23/379
 D755,947 S * 5/2016 Arai D23/379
 D761,949 S 7/2016 Badarello
 D762,841 S * 8/2016 Wilkins D15/7

D799,669 S * 10/2017 Wang D23/377
 D803,379 S * 11/2017 Badarello D23/377
 D804,647 S * 12/2017 Chang D23/413
 D806,225 S * 12/2017 Chang D23/379
 2006/0172688 A1 8/2006 Johnson
 2008/0253896 A1 * 10/2008 Walls F04D 19/005
 416/223 R
 2008/0298968 A1 12/2008 Frampton et al.
 2012/0219440 A1 8/2012 Seccareccia

OTHER PUBLICATIONS

<http://www.montecarlofans.com/product.search?SS=elliptical>, Item Specification for Elliptical 44" Ceiling Fan 3ELR44WH, accessed Apr. 9, 2015.
<http://www.quoruminternational.com/index.cfm/app/productDetail?product=26424-155>, Item Specification for Brushed Nickel Ceiling Fan 26424-155, accessed Apr. 9, 2015.
<http://www.homedepot.com/p/TroposAir-The-L-A-44-in-Indoor-Outdoor-Satin-Steel-Ceiling-Fan-88300/204163230>, Item Specification for The L.A. 44 in. Indoor/Outdoor Satin Steel Ceiling Fan 88300, accessed Apr. 9, 2015.

* cited by examiner

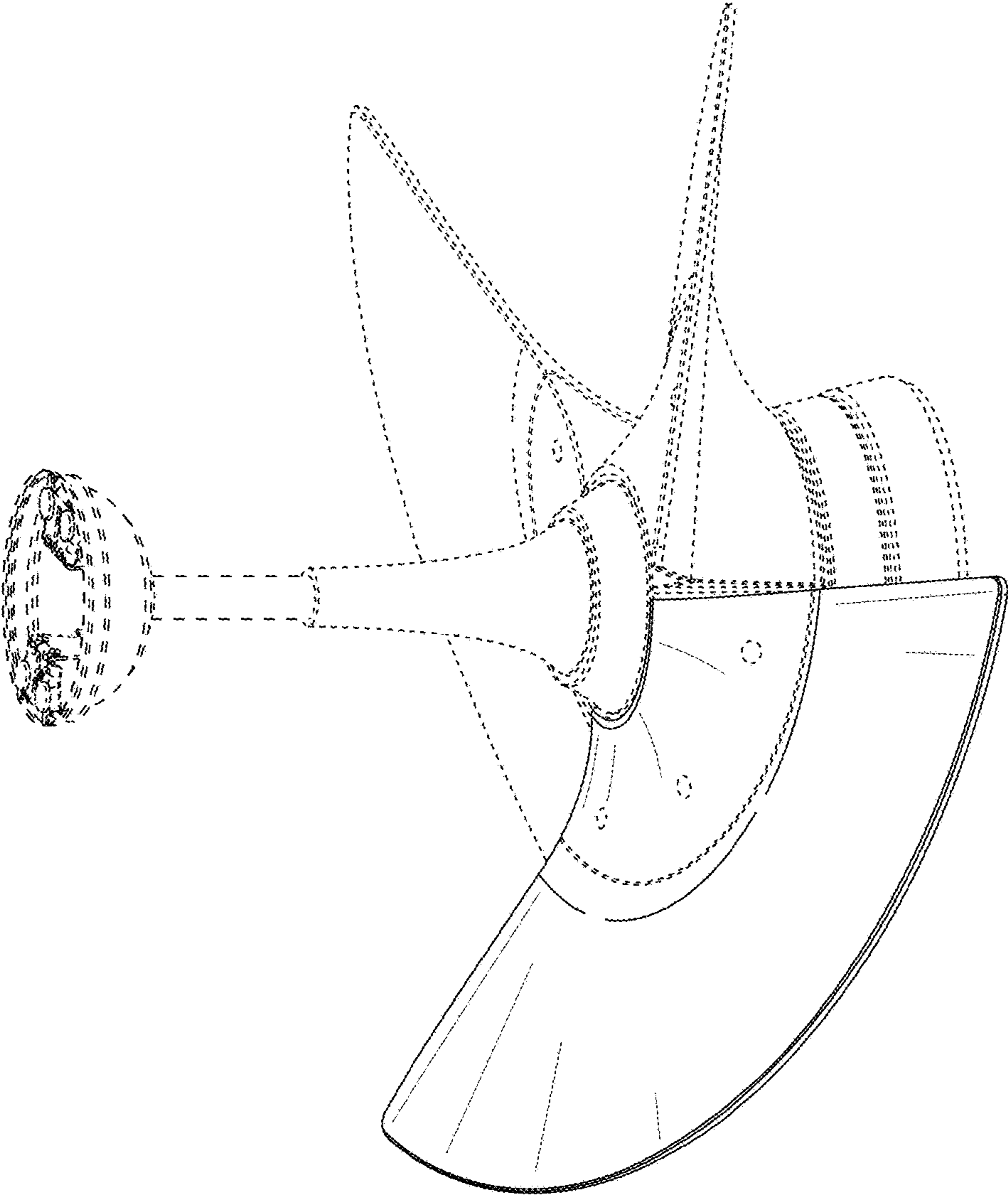


FIG. 1

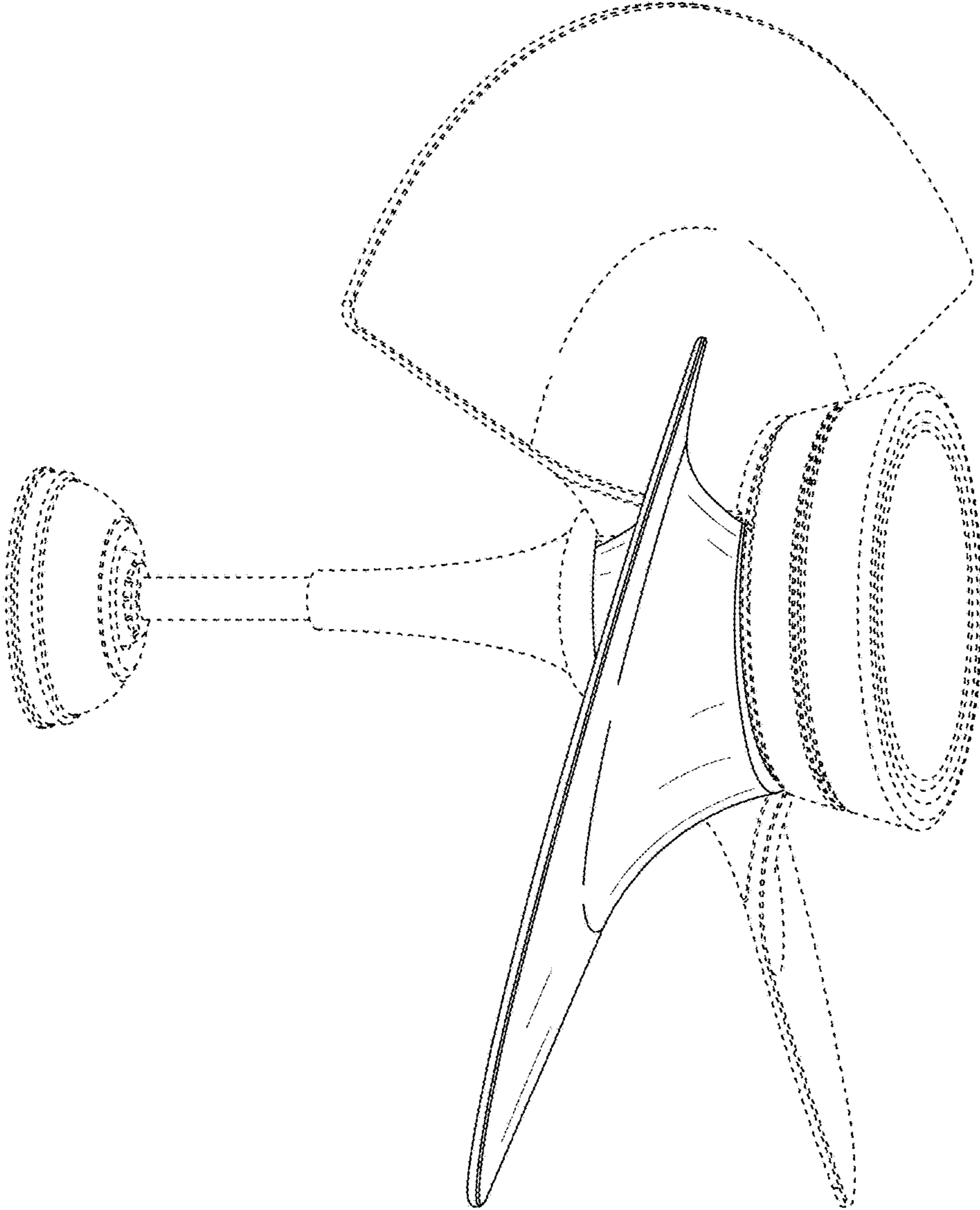


FIG. 2

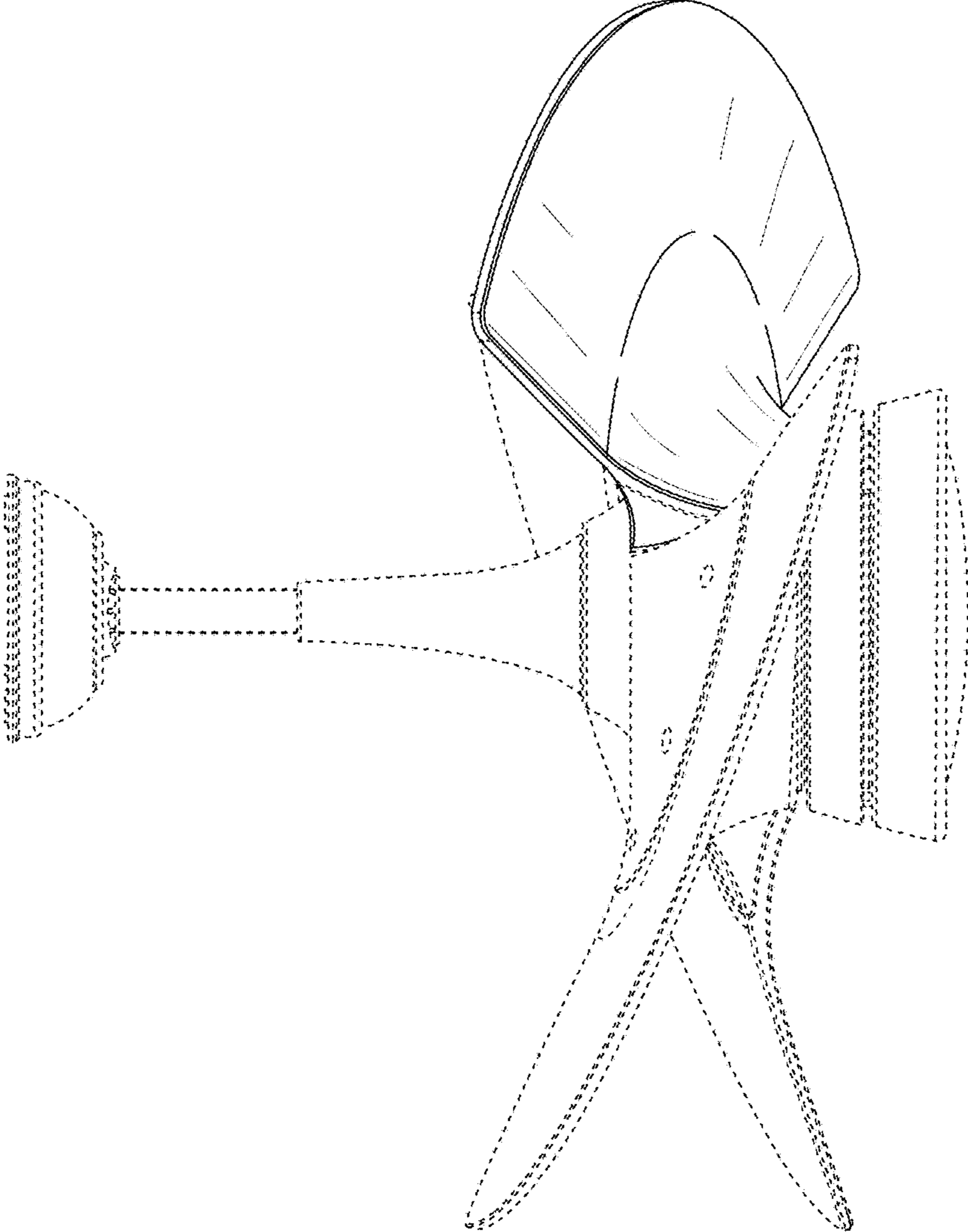


FIG. 3

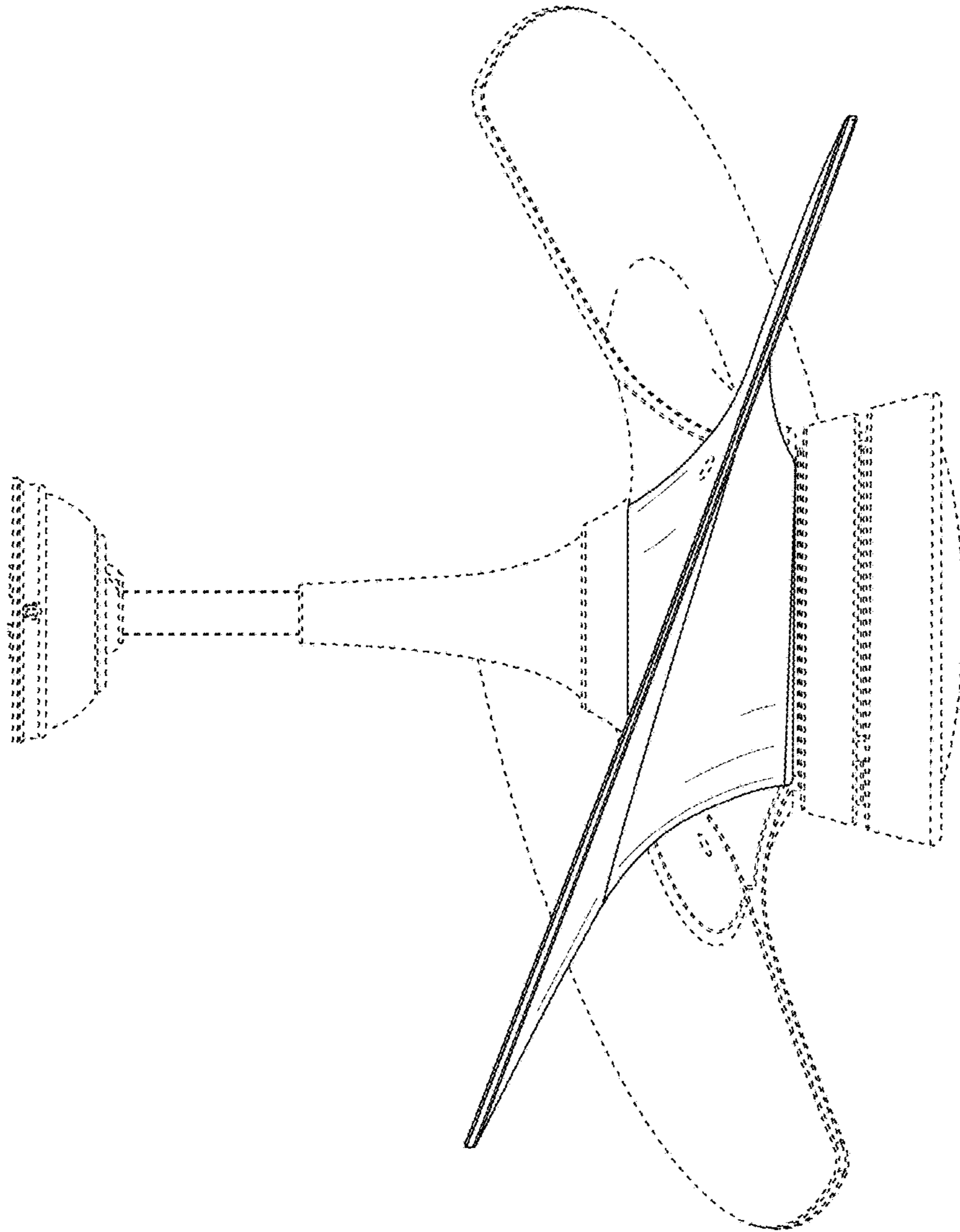


FIG. 4

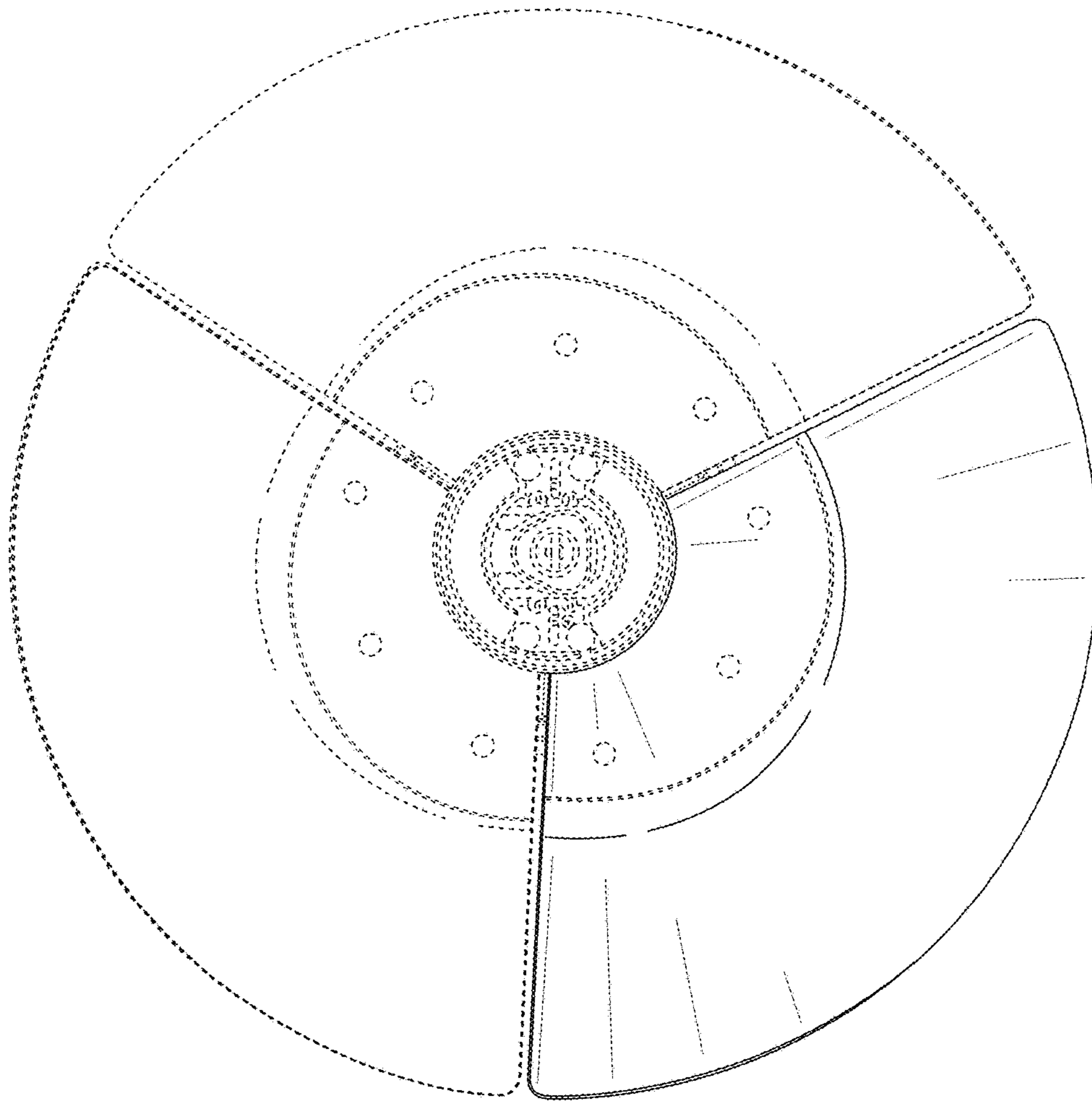


FIG. 5

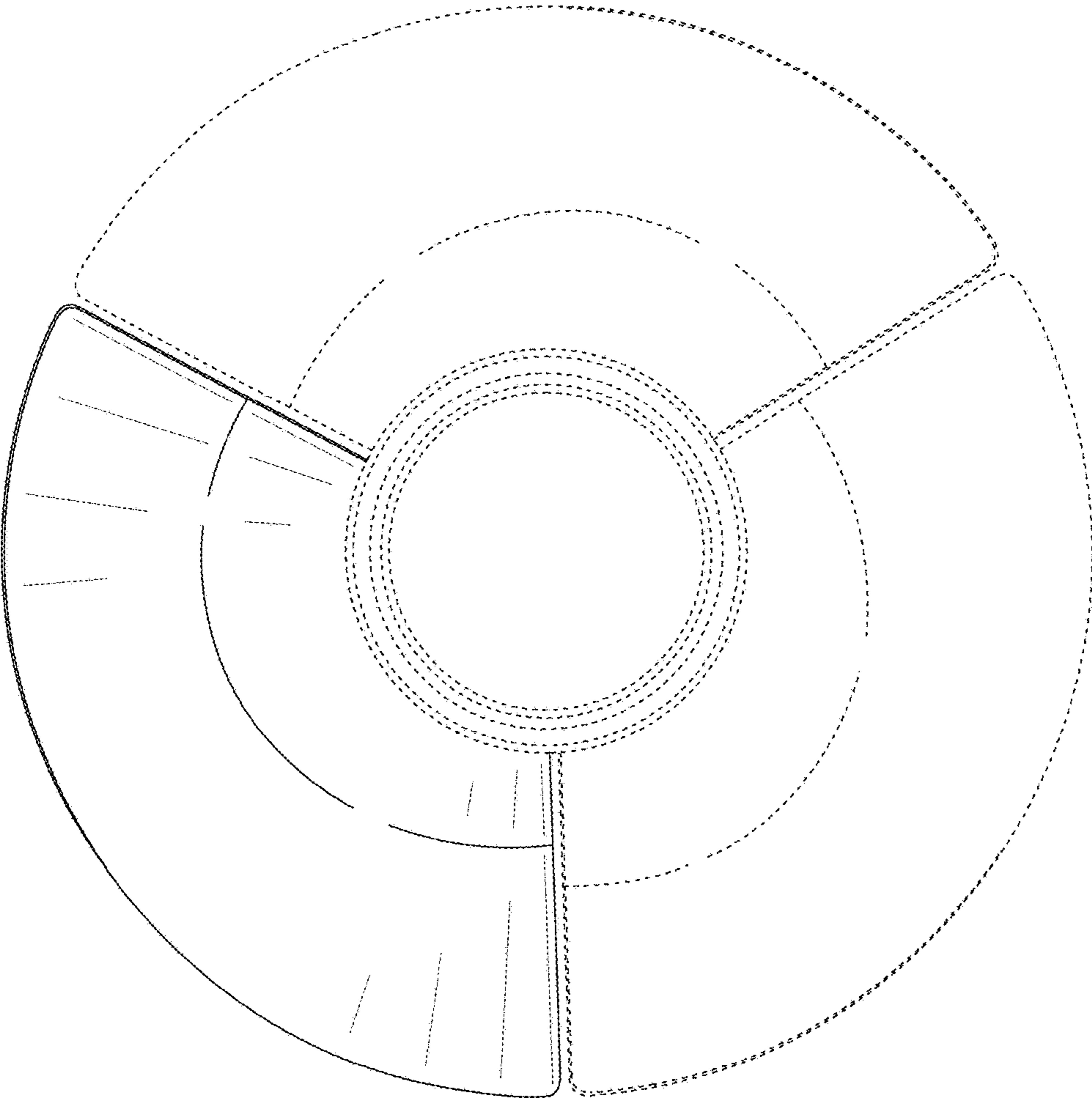


FIG. 6