



US00D820966S

(12) **United States Design Patent**
De Filippis

(10) **Patent No.:** **US D820,966 S**

(45) **Date of Patent:** **** Jun. 19, 2018**

- (54) **FAN AND SHROUD ASSEMBLY**
- (71) Applicant: **SPAL AUTOMOTIVE S.r.l.**, Correggio (Reggio Emilia) (IT)
- (72) Inventor: **Pietro De Filippis**, Varazze (IT)
- (73) Assignee: **SPAL AUTOMOTIVE S.R.L.**, Correggio Reggio (IT)
- (**) Term: **15 Years**
- (21) Appl. No.: **29/529,019**
- (22) Filed: **Jun. 3, 2015**

(30) **Foreign Application Priority Data**

Dec. 22, 2014 (EM) 001427397

- (51) **LOC (11) Cl.** **23-04**
- (52) **U.S. Cl.**
USPC **D23/370**

- (58) **Field of Classification Search**
USPC D23/370, 377, 379, 381, 382, 385, 411, D23/413, 414, 332, 328; D26/59; D15/5, 7; D13/179
CPC F04D 25/08; F04D 29/388; F04D 29/34; F04D 25/088; H02K 1/187
See application file for complete search history.

(56) **References Cited**

U.S. PATENT DOCUMENTS

- D453,960 S * 2/2002 Shelby D23/411
- D513,530 S * 1/2006 Chen D23/379
- D532,095 S * 11/2006 Calkins D23/370

- D663,411 S * 7/2012 Naya D23/411
- D681,800 S * 5/2013 Hu D23/413
- D723,152 S * 2/2015 Xu D23/370
- D726,300 S * 4/2015 DeFilippis D23/414
- D734,845 S * 7/2015 Xu D23/370
- D736,368 S * 8/2015 Xu D23/370
- D787,037 S * 5/2017 Allard D23/370
- 2013/0315737 A1 * 11/2013 Dygert F04D 29/526
416/179
- 2015/0064011 A1 * 3/2015 Xu F04D 19/002
416/189
- 2015/0226224 A1 * 8/2015 De Filippis F04D 25/068
417/423.14

* cited by examiner

Primary Examiner — Janice Hallmark

(74) *Attorney, Agent, or Firm* — Shuttleworth & Ingersoll, PLC; Timothy J. Klima

(57) **CLAIM**

The ornamental design for a fan and shroud assembly, as shown and described.

DESCRIPTION

FIG. 1 is a perspective front view;
 FIG. 2 is a front view;
 FIG. 3 is a left side view, with respect to FIG. 2;
 FIG. 4 is a right side view, with respect to FIG. 2;
 FIG. 5 is a rear view;
 FIG. 6 is a top side view, with respect to FIG. 2;
 FIG. 7 is a bottom side view, with respect to FIG. 2; and,
 FIG. 8 is a perspective rear view.

The broken lines in the drawings depict parts of the fan and shroud assembly that form no part of the claimed design.

1 Claim, 4 Drawing Sheets

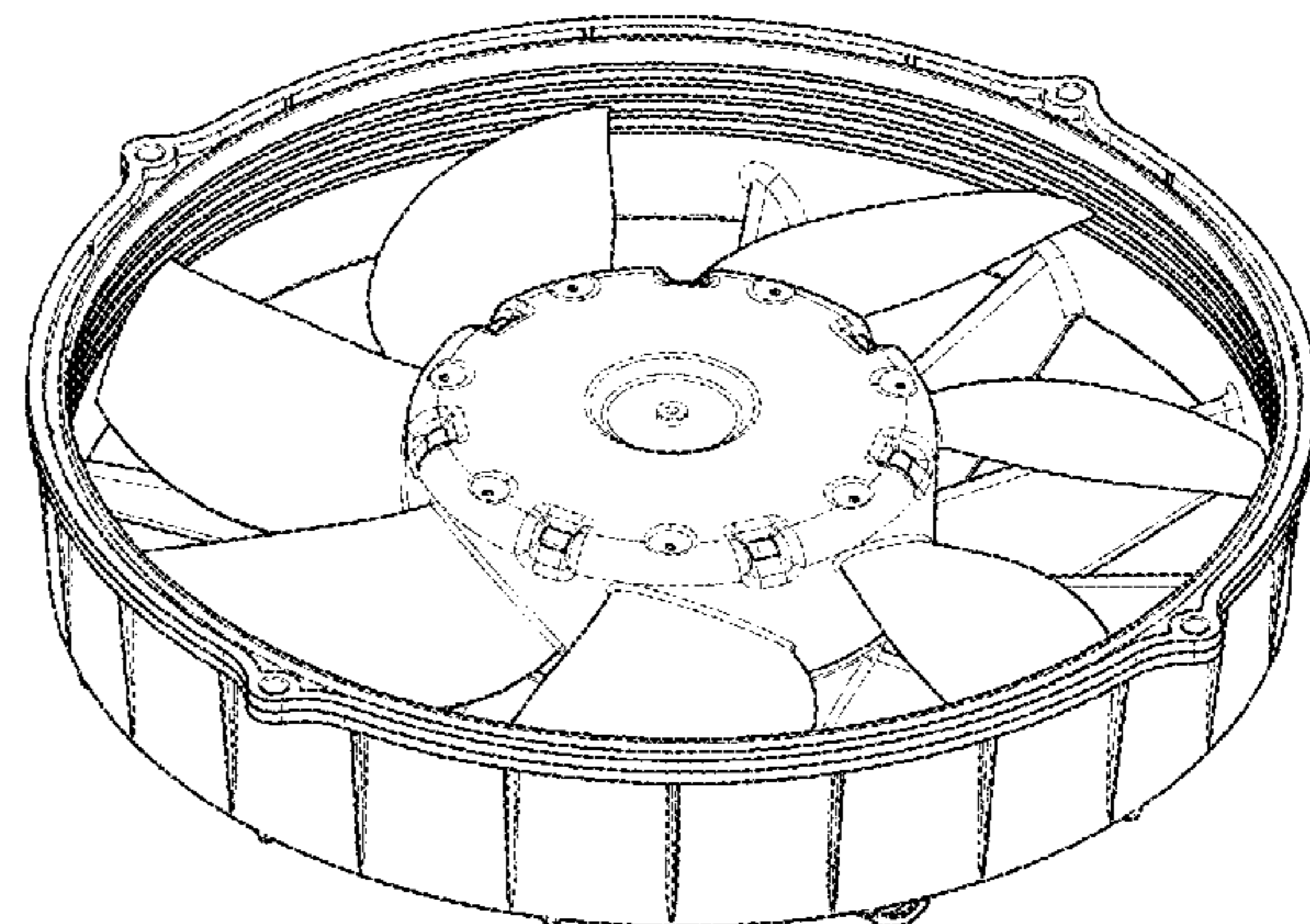
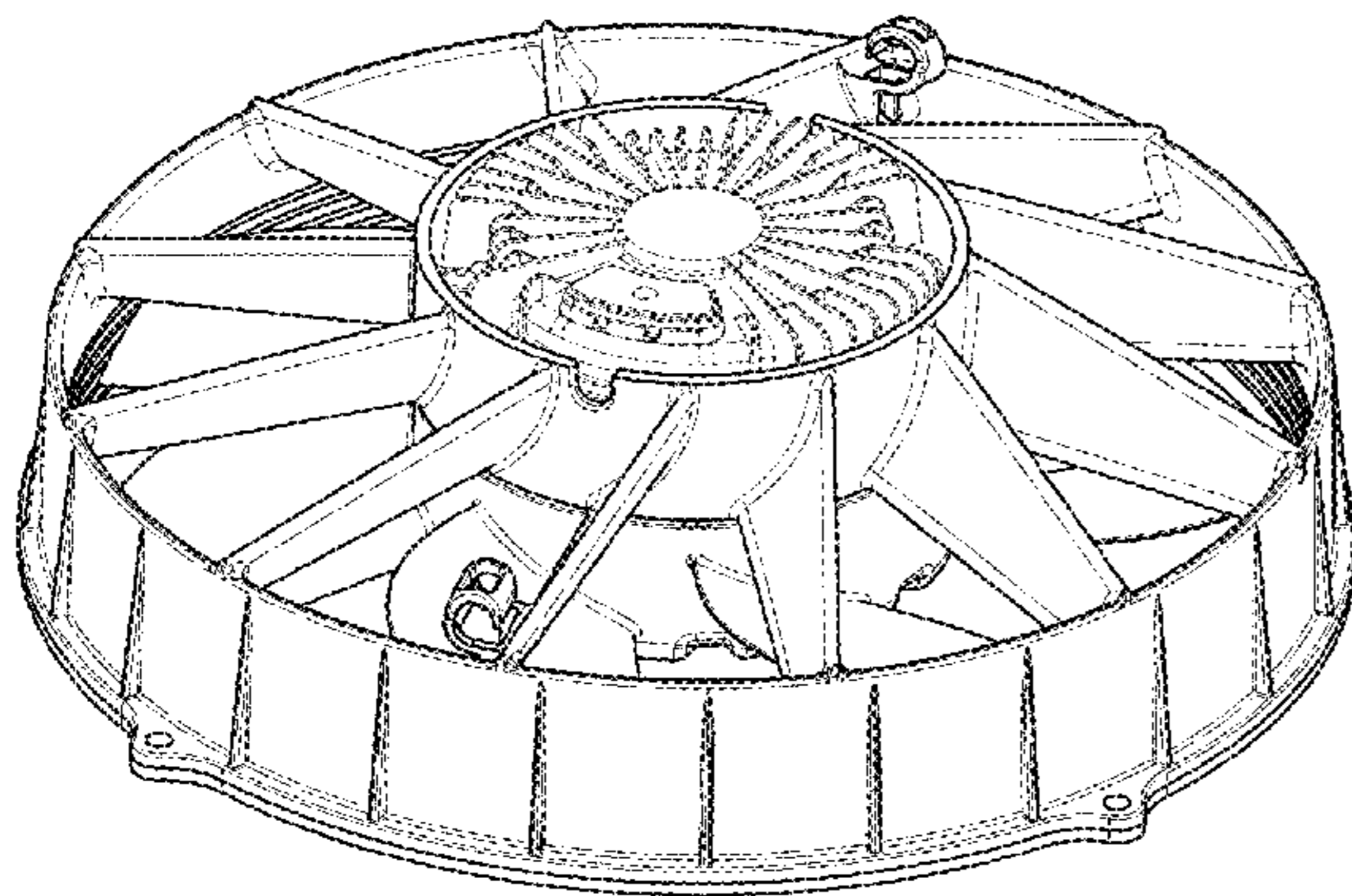


FIG. 1

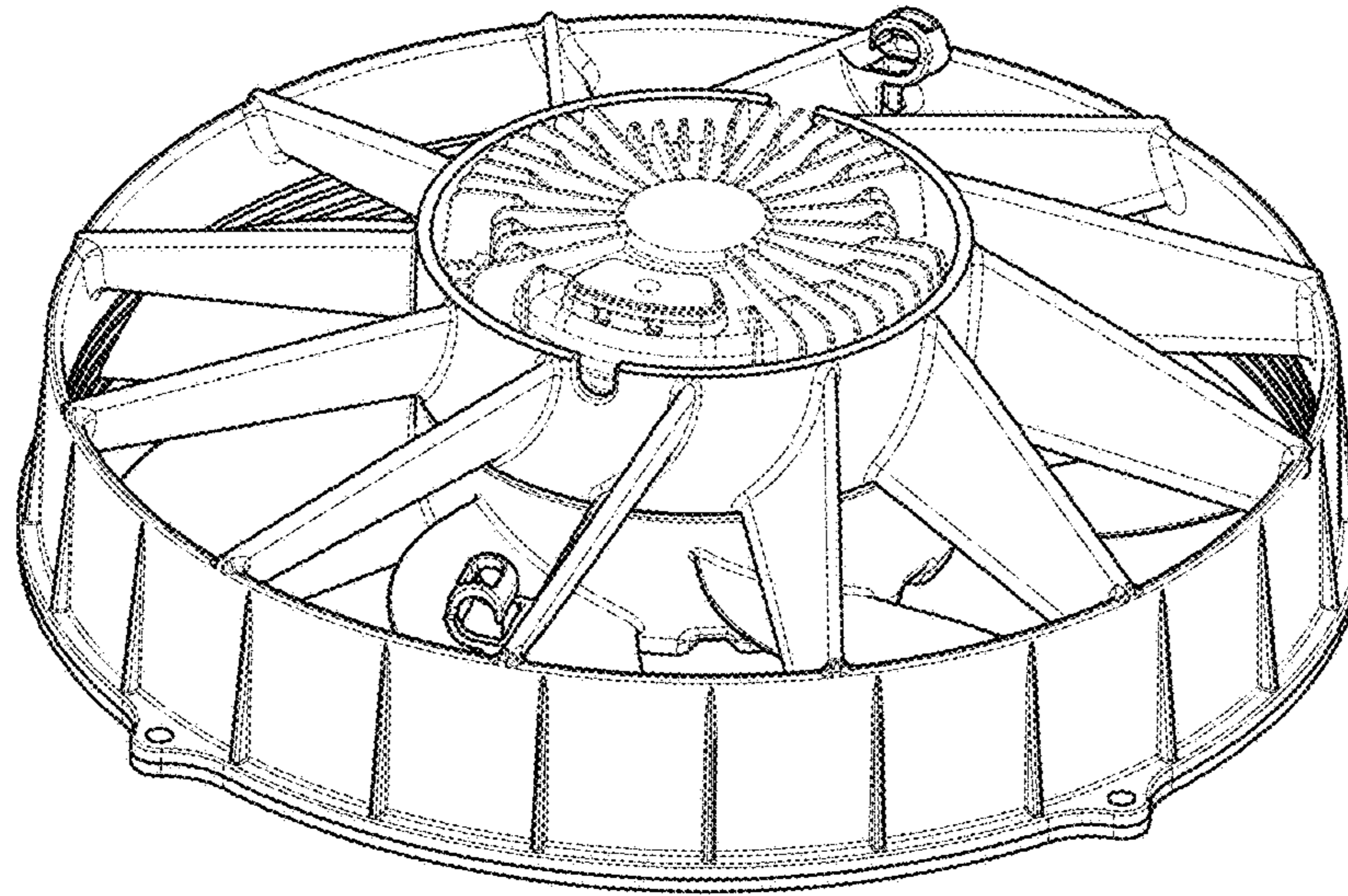


FIG. 2

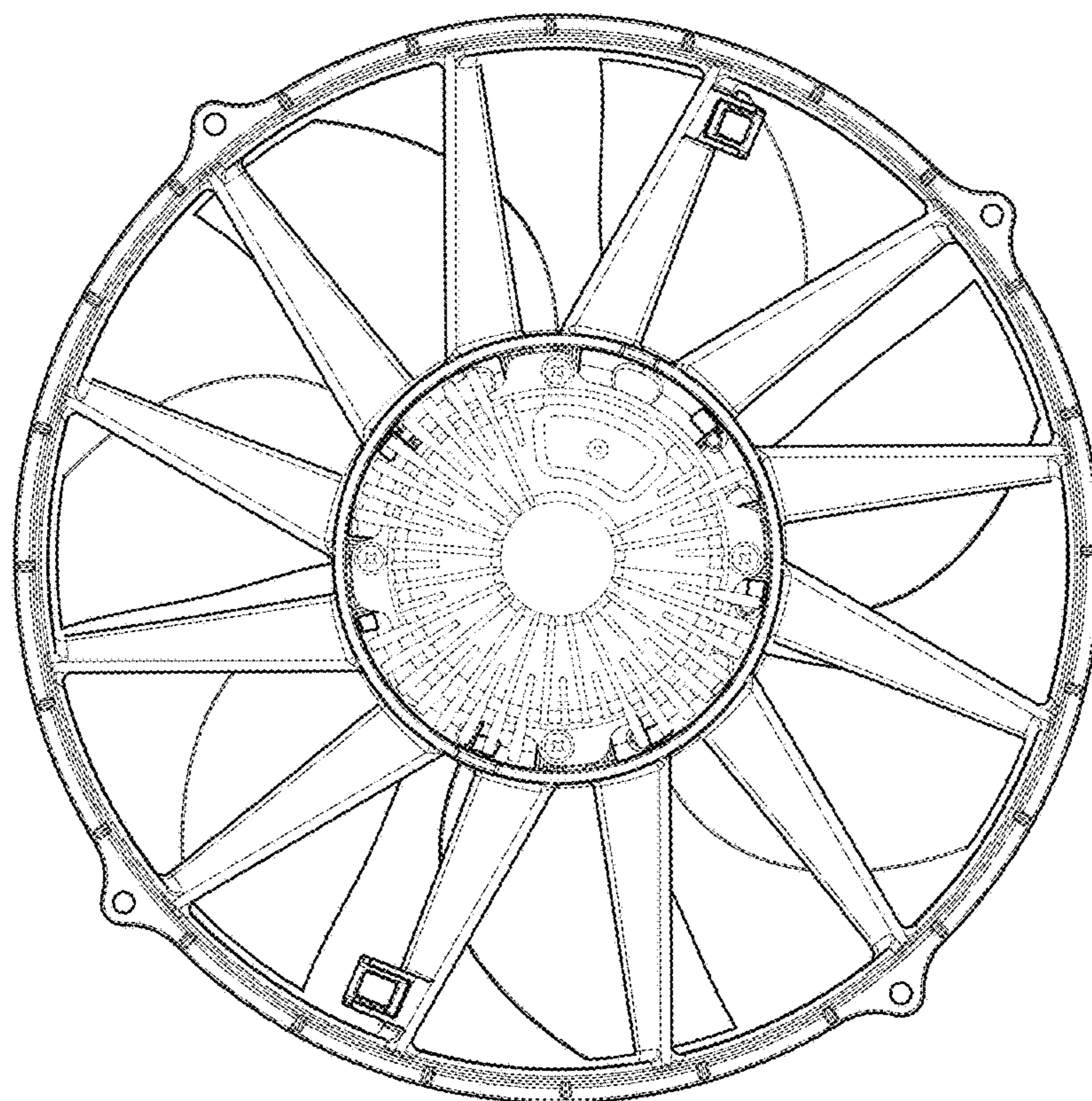


FIG. 3

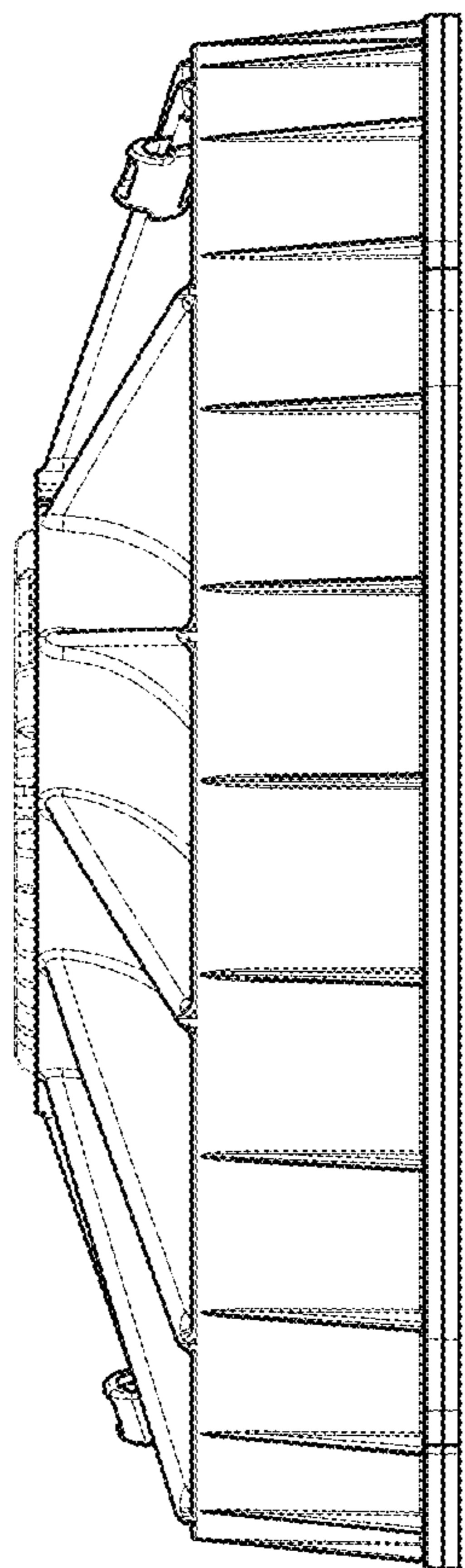


FIG. 4

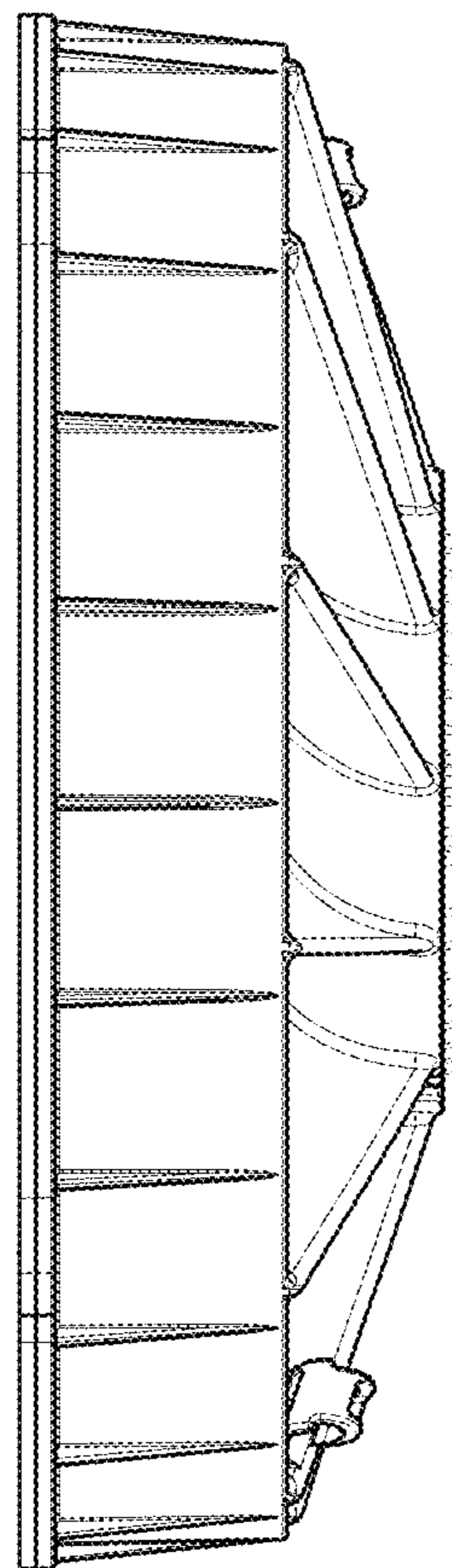


FIG. 5

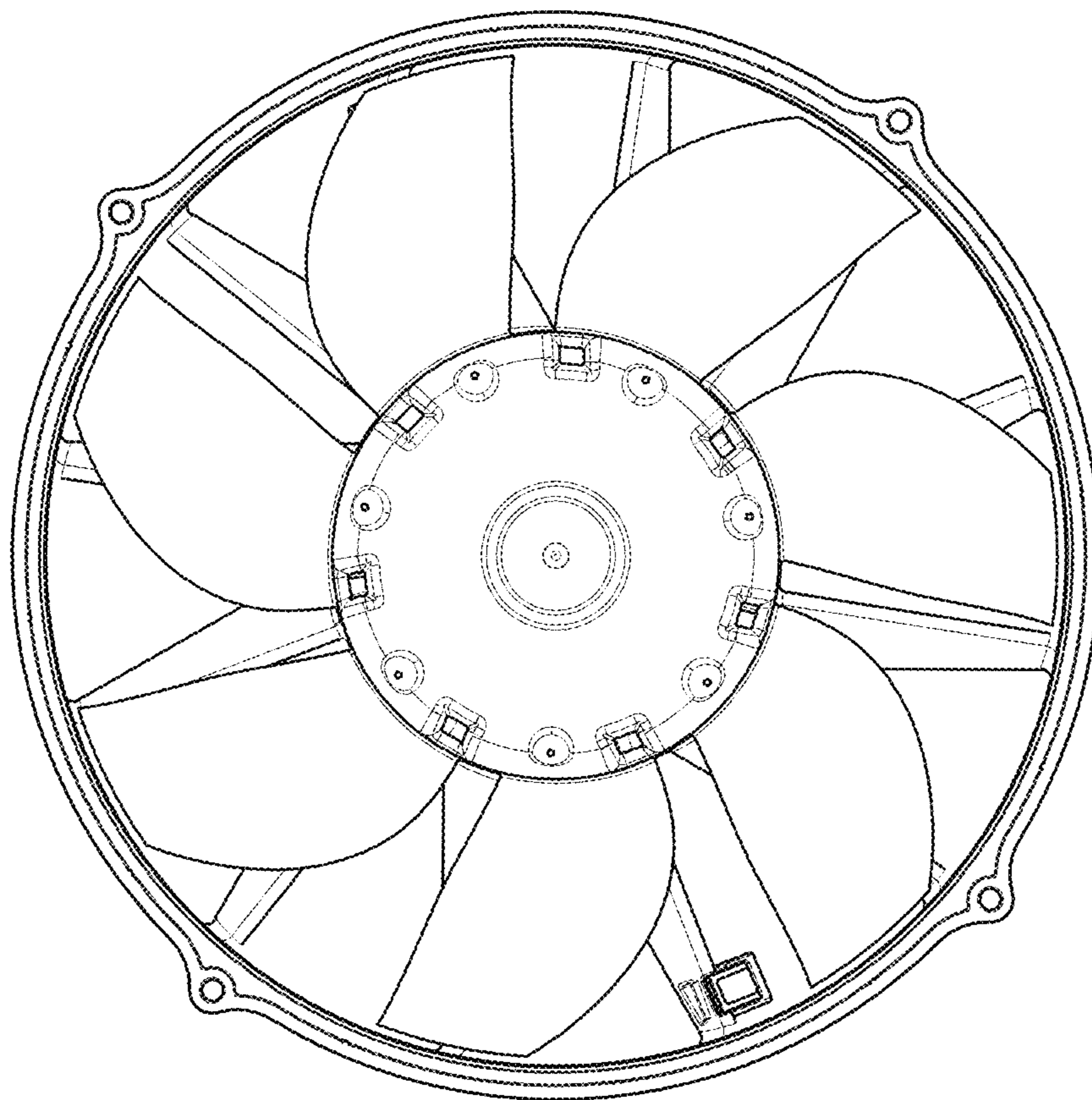


FIG. 6

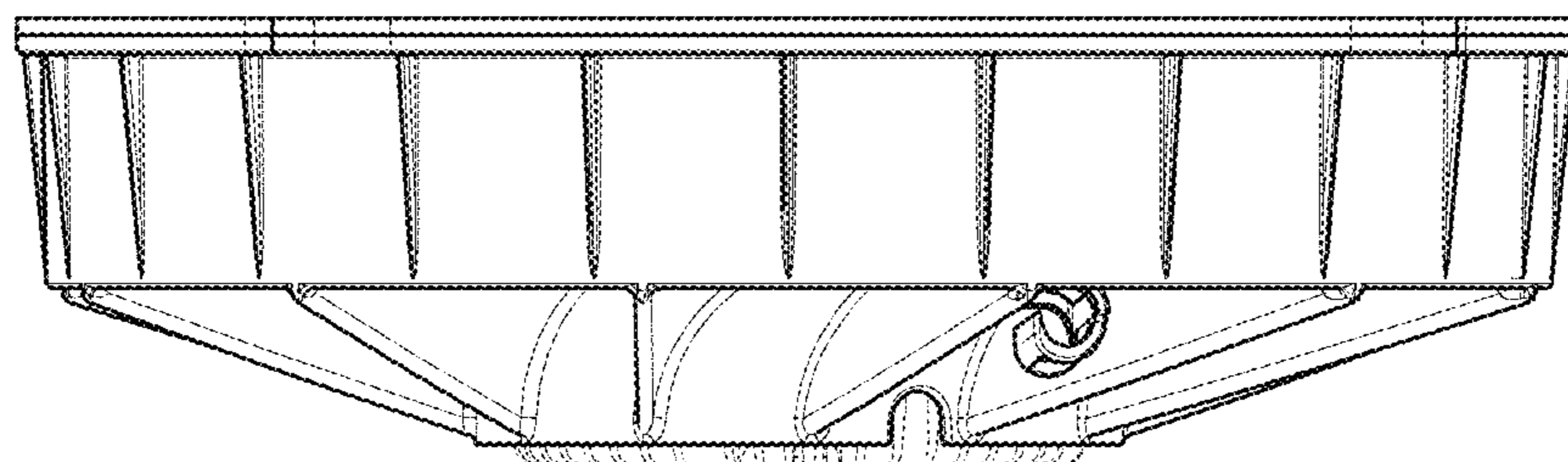


FIG. 7

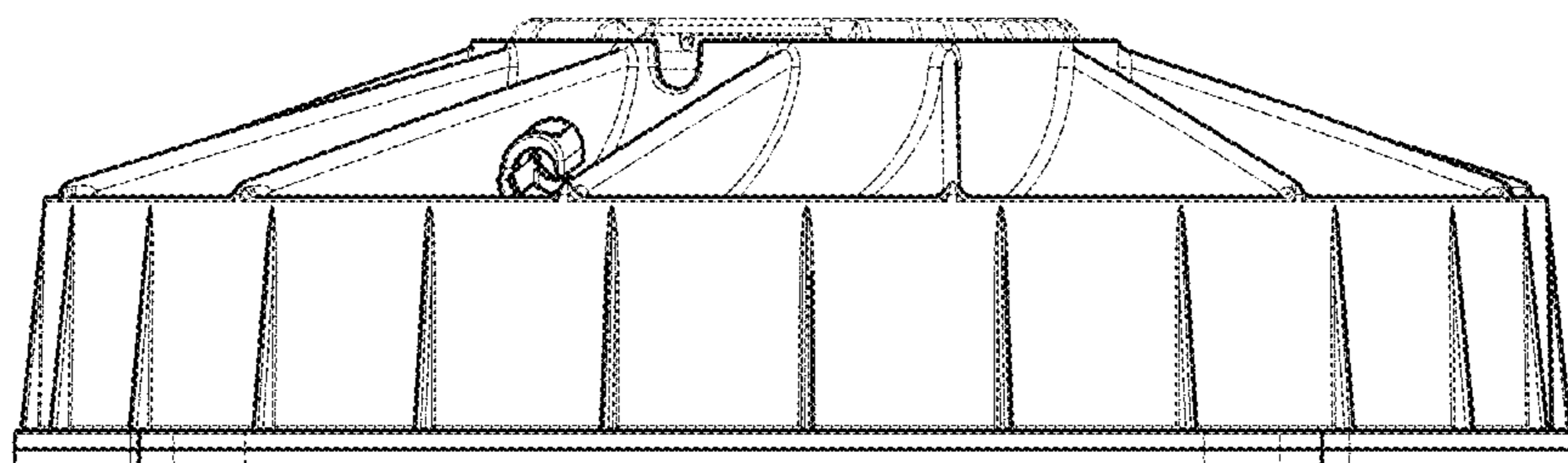


FIG. 8

