



US00D820964S

(12) **United States Design Patent**  
**Servaire**

(10) **Patent No.:** **US D820,964 S**  
(45) **Date of Patent:** **\*\* Jun. 19, 2018**

- (54) **AIR FRESHENER**
- (71) Applicant: **Diptyque S.A.S.**, Paris (FR)
- (72) Inventor: **Sebastien Servaire**, Paris (FR)
- (73) Assignee: **Diptyque S.A.S.**, Paris (FR)
- (\*\*) Term: **15 Years**
- (21) Appl. No.: **29/598,463**
- (22) Filed: **Mar. 27, 2017**
- (51) **LOC (11) Cl.** ..... **23-01**
- (52) **U.S. Cl.**  
USPC ..... **D23/366**
- (58) **Field of Classification Search**  
USPC ..... D23/355–369, 393; D14/409  
CPC ..... A61L 9/02; A61L 9/03; A61L 9/12; A61L  
9/035; A61L 9/125  
See application file for complete search history.

- D653,744 S \* 2/2012 Li ..... D23/366
- D677,376 S \* 3/2013 Wolff ..... D22/119
- D752,729 S \* 3/2016 Servaire ..... D23/366
- D803,377 S \* 11/2017 Gobber ..... D23/366

\* cited by examiner

*Primary Examiner* — Sheryl Lane  
*Assistant Examiner* — Calvin E Vansant  
(74) *Attorney, Agent, or Firm* — Bryan Cave Leighton  
Paisner LLP

(57) **CLAIM**

The ornamental design for an air freshener, as shown and described.

**DESCRIPTION**

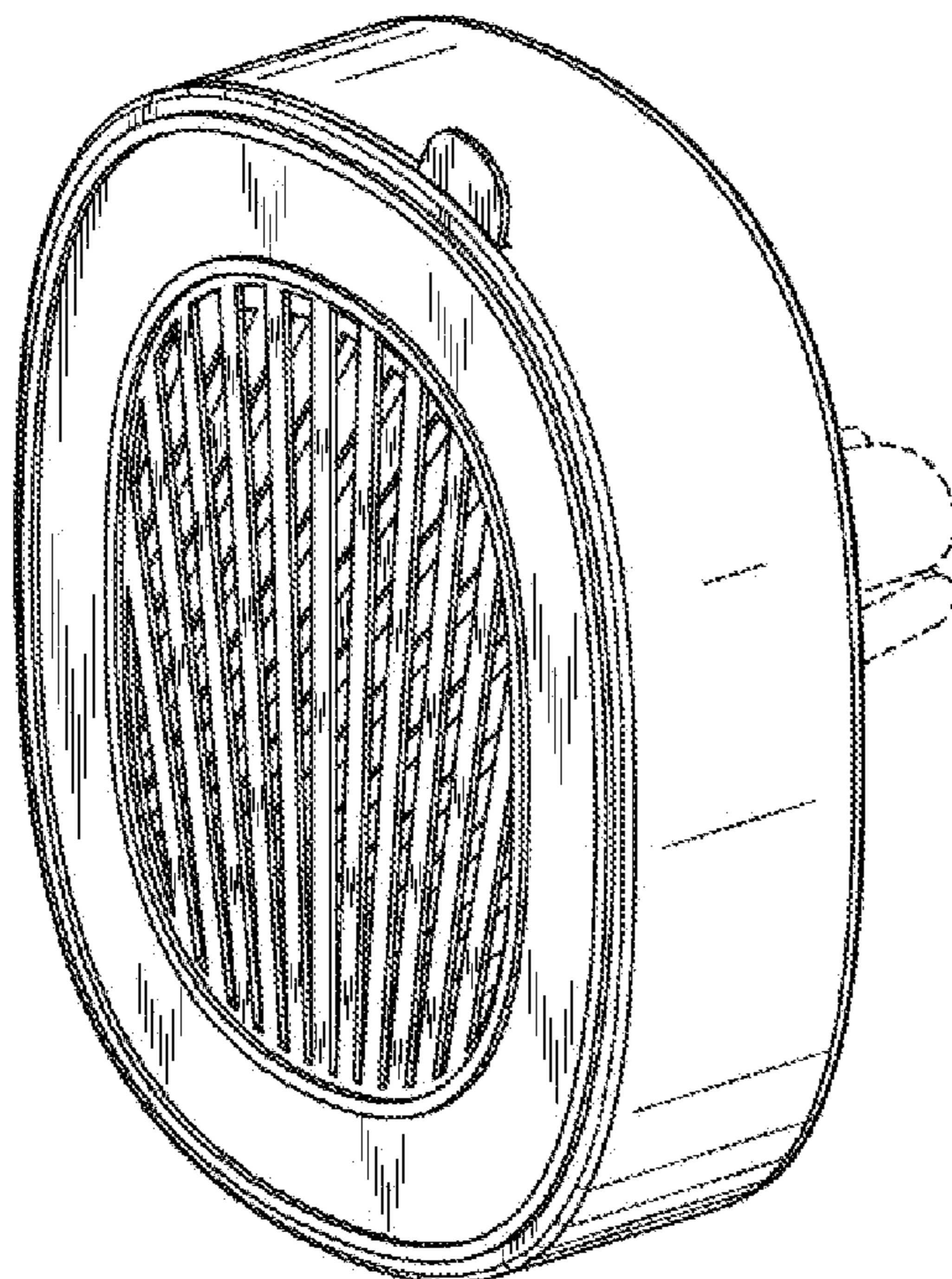
FIG. 1 is a front perspective view of an air freshener;  
FIG. 2 is a front view thereof;  
FIG. 3 is a rear perspective view thereof;  
FIG. 4 is a rear view thereof;  
FIG. 5 is a left side view thereof;  
FIG. 6 is a right side view thereof;  
FIG. 7 is a top plan view thereof;  
FIG. 8 is bottom plan view thereof;  
FIG. 9 is another front view thereof in which an upper notch portion is rotated to a left side of the air freshener, thus resulting in an alignment of grills located on front and rear portions of the air freshener; and,  
FIG. 10 is an exploded view of the air freshener showing a separation of the front and rear portions of the air freshener. The broken lines depict portions of the air freshener that form no part of the claim.

(56) **References Cited**

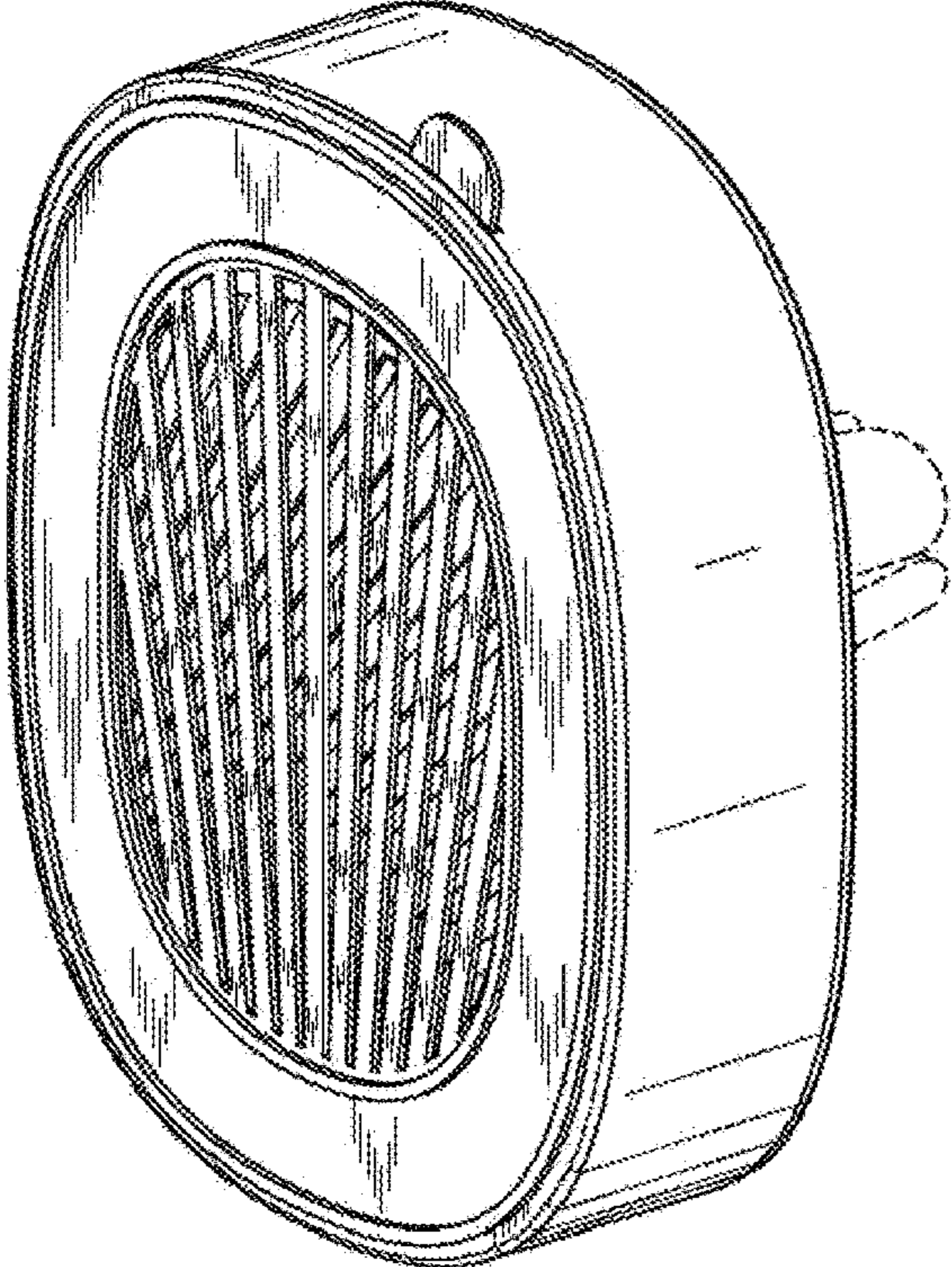
U.S. PATENT DOCUMENTS

- D246,052 S \* 10/1977 Hatai ..... D23/366
- D327,315 S \* 6/1992 Pelonis ..... D23/355
- 5,574,821 A \* 11/1996 Babasade ..... A61L 9/03  
392/390
- 5,700,430 A \* 12/1997 Bonnema ..... A01M 1/2088  
126/401
- D432,226 S \* 10/2000 Orendorff ..... D23/393
- D443,924 S \* 6/2001 Renella ..... D23/366
- D456,886 S \* 5/2002 Hart ..... D23/366
- D583,037 S \* 12/2008 Kenny ..... D23/366

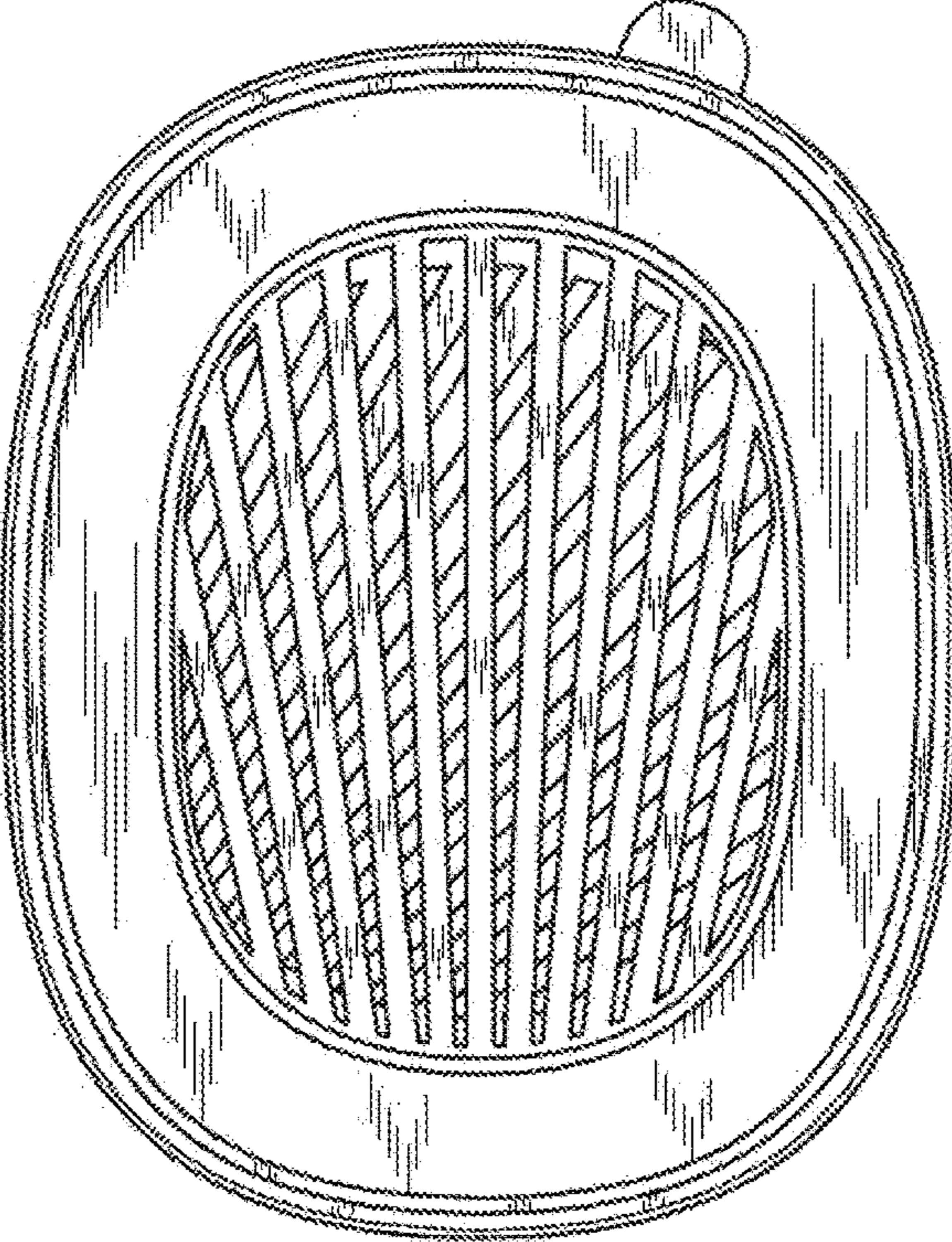
**1 Claim, 5 Drawing Sheets**



**FIG. 1**

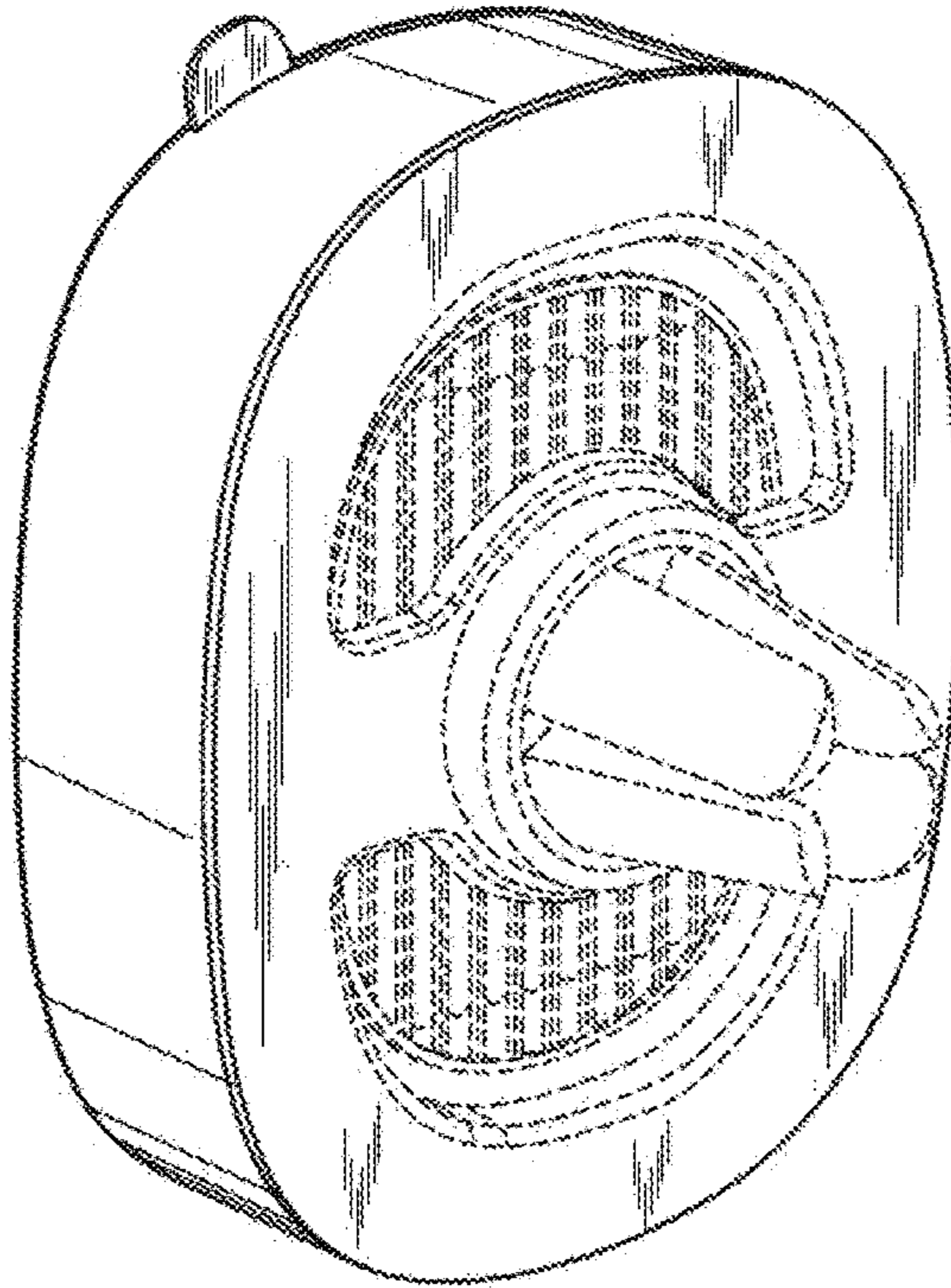


**FIG. 2**

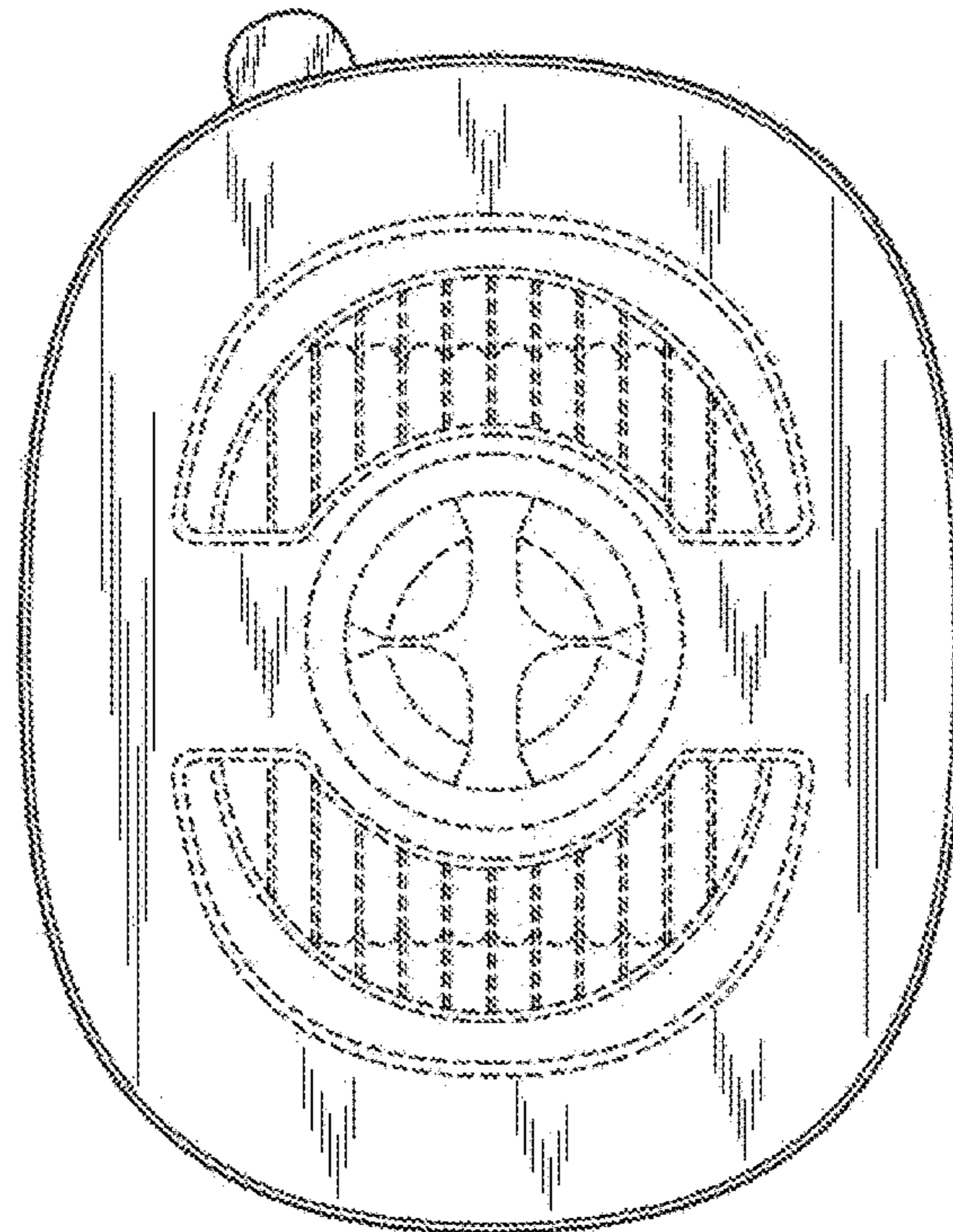




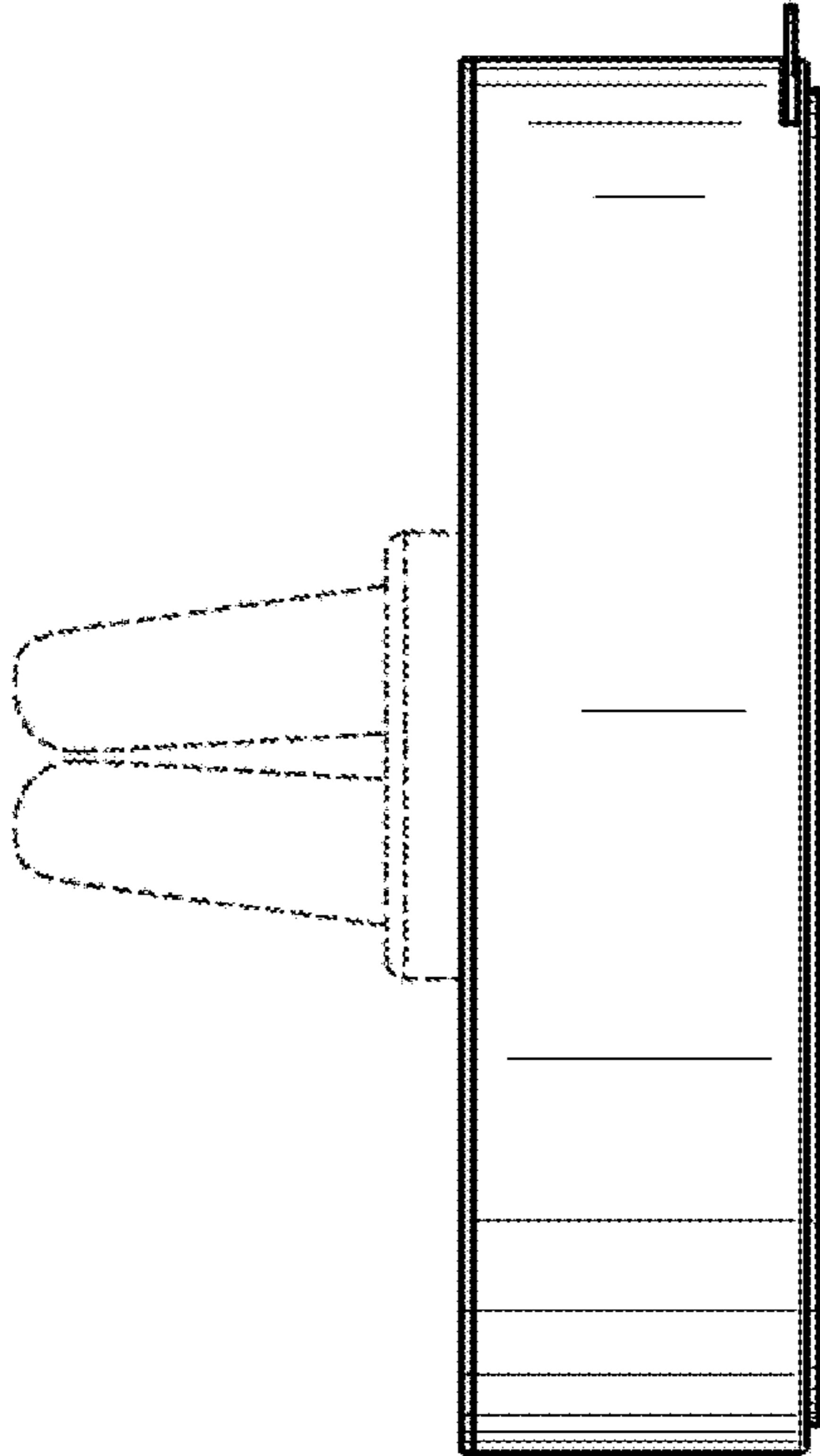
**FIG. 3**



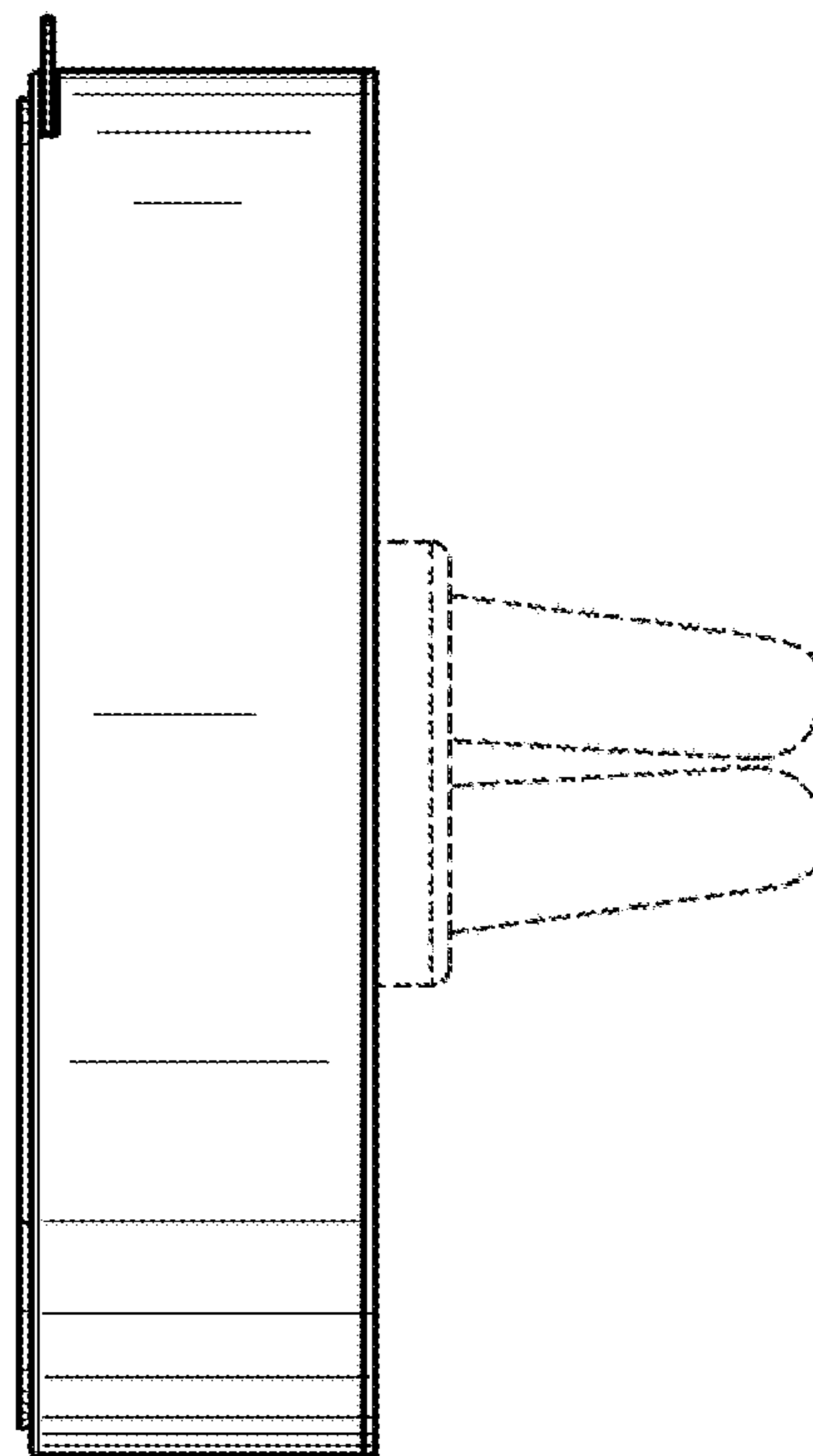
**FIG. 4**



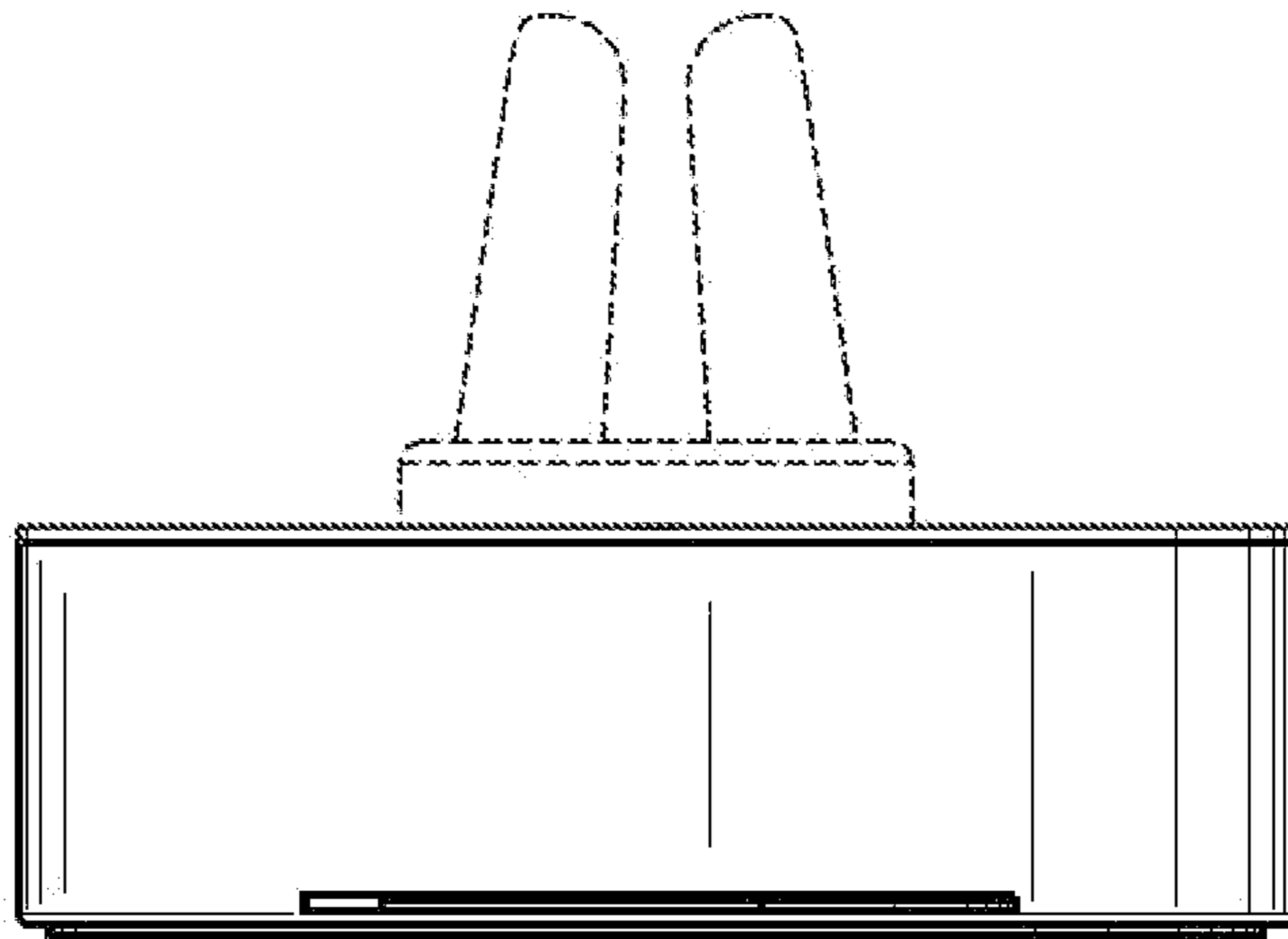
**FIG. 5**



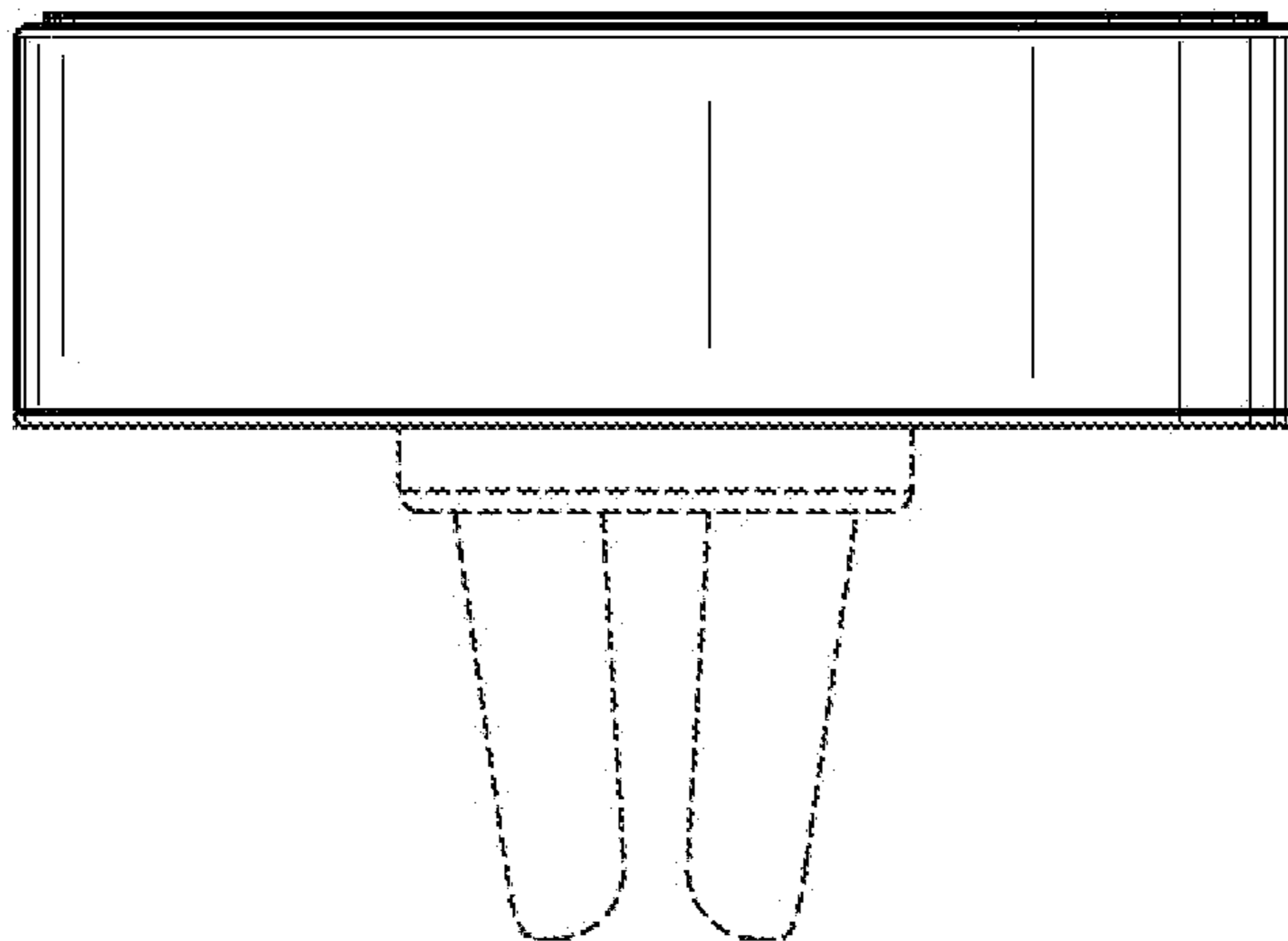
**FIG. 6**



**FIG. 7**



**FIG. 8**





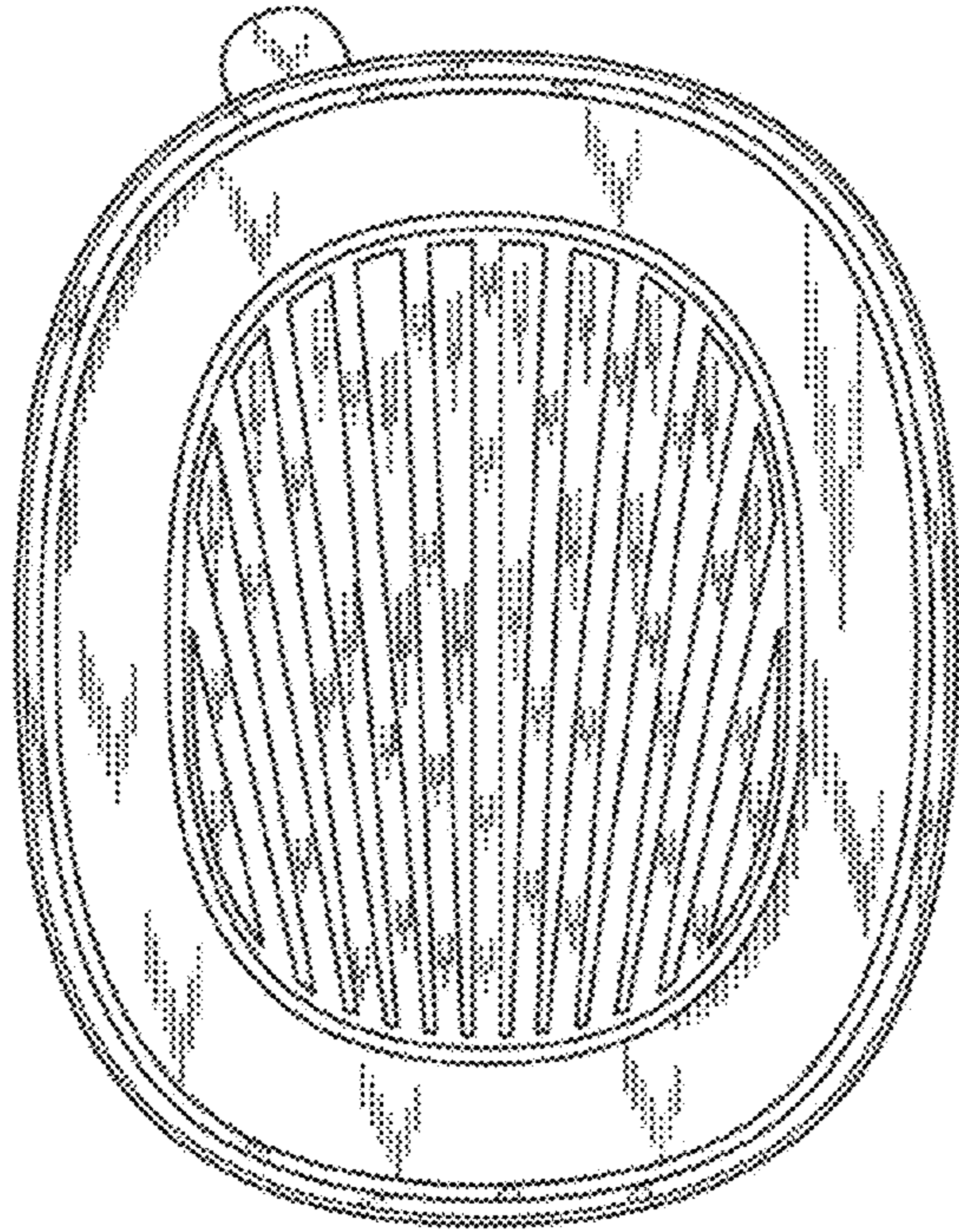


FIG. 9

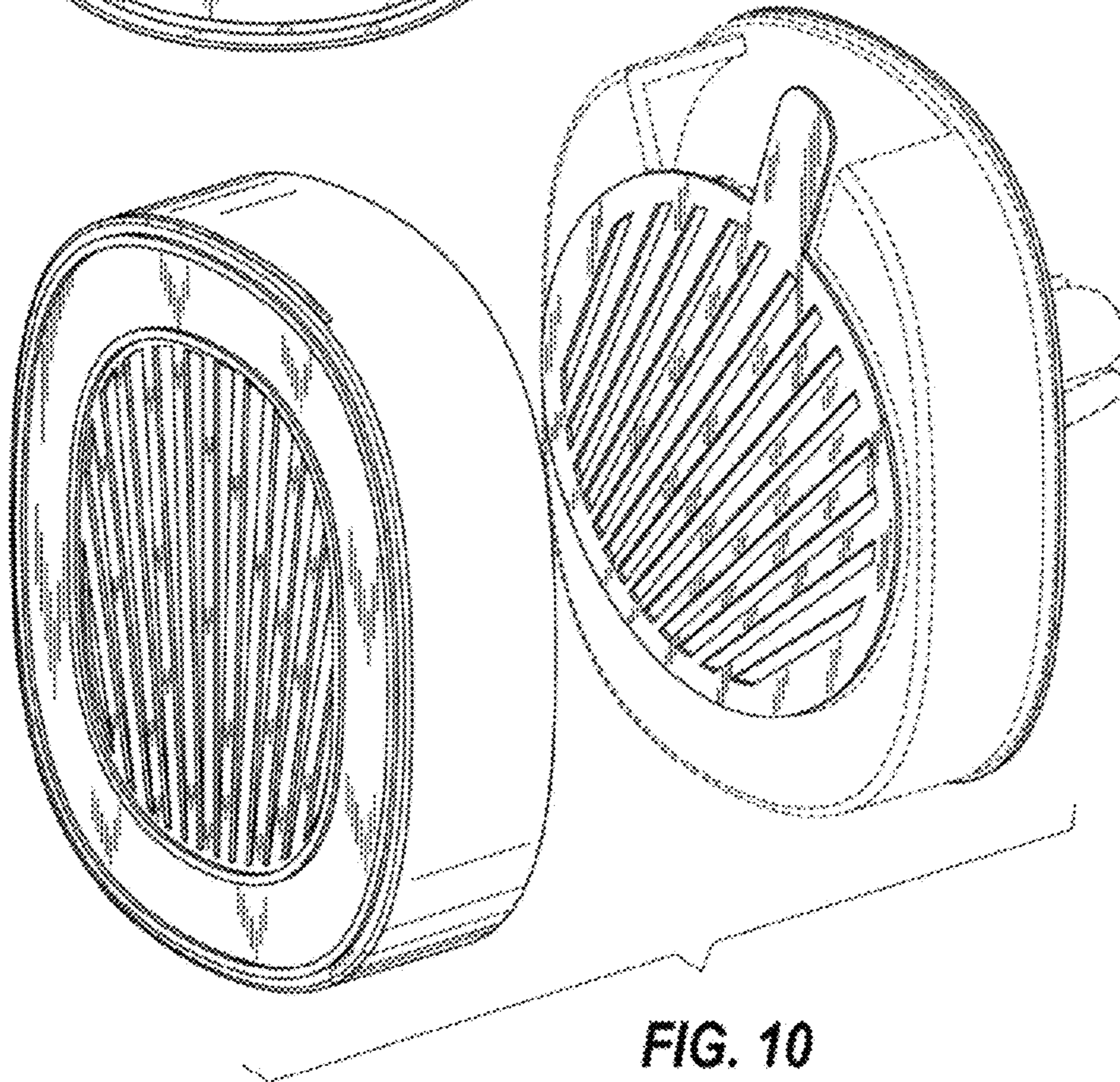


FIG. 10