

US00D820963S

(12) **United States Design Patent**
Wipf

(10) **Patent No.:** **US D820,963 S**
(45) **Date of Patent:** **** Jun. 19, 2018**

- (54) **AUTOMATICALLY SWITCHING DUAL AIR FILTER**
- (71) Applicant: **Abraham Wipf**, Mitchell, SD (US)
- (72) Inventor: **Abraham Wipf**, Mitchell, SD (US)
- (**) Term: **15 Years**
- (21) Appl. No.: **29/561,832**
- (22) Filed: **Apr. 20, 2016**
- (51) **LOC (11) Cl.** **23-04**
- (52) **U.S. Cl.**
USPC **D23/365**
- (58) **Field of Classification Search**
USPC D23/332, 333, 341, 354, 355, 356, 357,
D23/358, 359, 360, 362, 363, 364, 365,
D23/366, 369, 386, 206, 202, 264, 265;
261/DIG. 17, DIG. 42, DIG. 47, DIG. 65,
261/DIG. 88, DIG. 89
CPC A61L 9/00; A61L 9/02; A61L 9/03; A61L
9/032; A61L 9/035; A61L 9/037; A61L
9/04; A61L 9/12; A61L 9/125; A61L
9/127; A61L 9/01; A61L 9/042; A01M
1/2077; B01D 46/00; B01D 46/0004;
B01D 46/0005; B01D 46/0024; B01D
46/10; B01D 46/12; B01D 46/002; B01D
46/0068; B01D 46/004; B01D 46/04;
B01D 46/24; B01D 46/2411; B01D
46/521; B01D 46/523; B01D 27/04;
B01D 27/06; B01D 39/00; B01D 39/2041
See application file for complete search history.

(56) **References Cited**
U.S. PATENT DOCUMENTS

- D281,618 S * 12/1985 Grube D23/364
- D365,389 S * 12/1995 Williams D23/336

- D375,546 S * 11/1996 Lee D23/355
- D398,975 S * 9/1998 Nystrom D23/355
- 5,800,581 A * 9/1998 Gielink B01D 46/0002
55/385.3
- 6,039,778 A * 3/2000 Coulonvaux B01D 46/24
55/498
- D423,659 S * 4/2000 Schippanoski D23/355
- D438,214 S * 2/2001 Gieseke D15/5
- D471,623 S * 3/2003 Gieseke D23/365
- D499,177 S * 11/2004 Kosmider D23/365
- D501,248 S * 1/2005 Chi-Hsiang D23/356
- 6,955,701 B2 * 10/2005 Schrage B01D 46/0001
264/257
- D516,687 S * 3/2006 Shapiro D23/332
- D716,427 S * 10/2014 Lim D23/364

* cited by examiner

Primary Examiner — Sheryl Lane
Assistant Examiner — Samantha N Wood
(74) *Attorney, Agent, or Firm* — RG Patent Consulting,
LLC; Rachel Gilboy

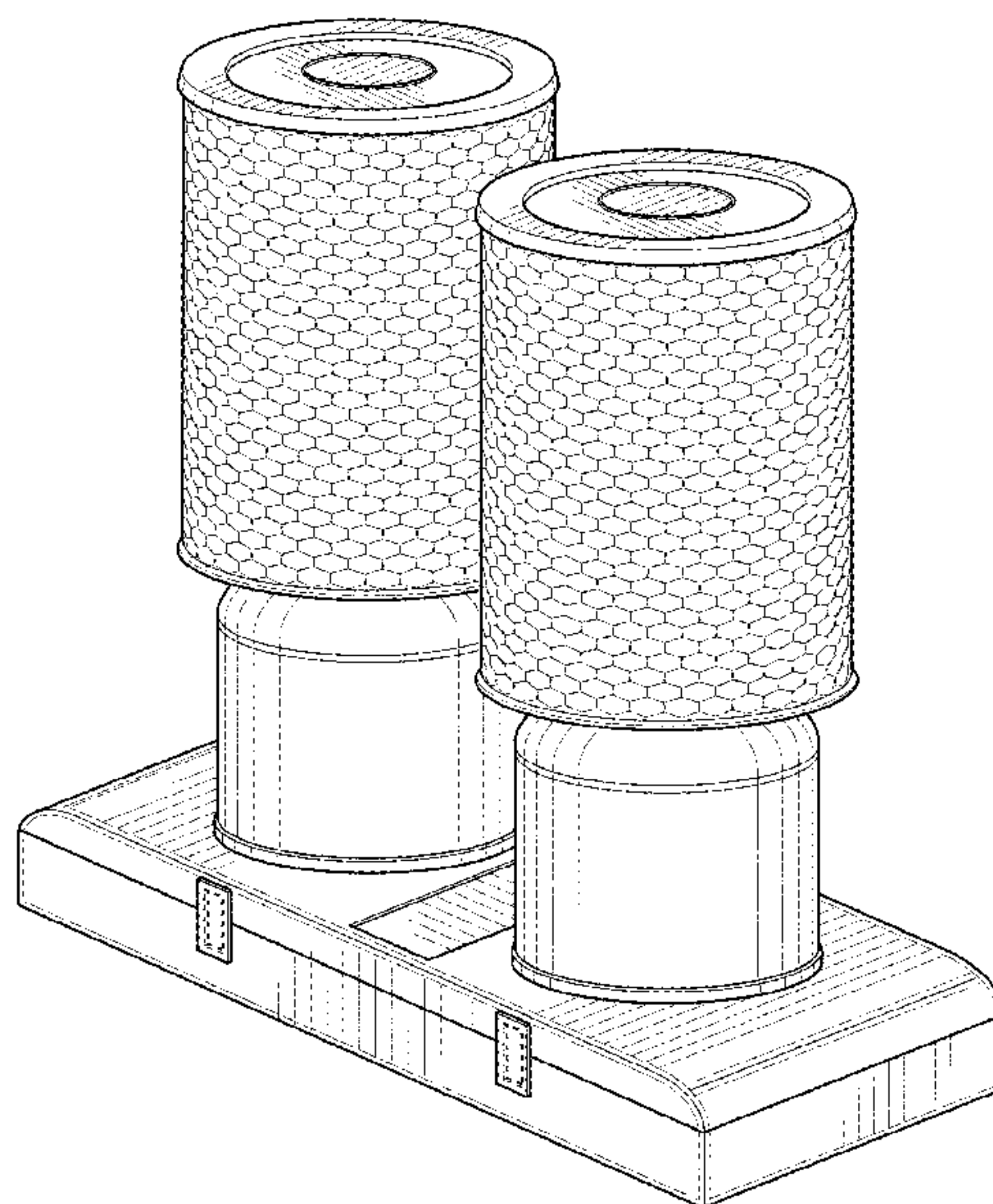
(57) **CLAIM**

The ornamental design for an automatically switching dual air filter, as shown and described.

DESCRIPTION

FIG. 1 is a perspective view of the automatically switching dual air filter showing my new design; FIG. 2 is a front elevation view thereof; FIG. 3 is a rear elevation view thereof; FIG. 4 is a top plan view thereof; FIG. 5 is a bottom plan view thereof; FIG. 6 is a left side elevation view thereof; and, FIG. 7 is a right side elevation view thereof. Portions of the article shown in broken lines form no part of the claimed design.

1 Claim, 5 Drawing Sheets



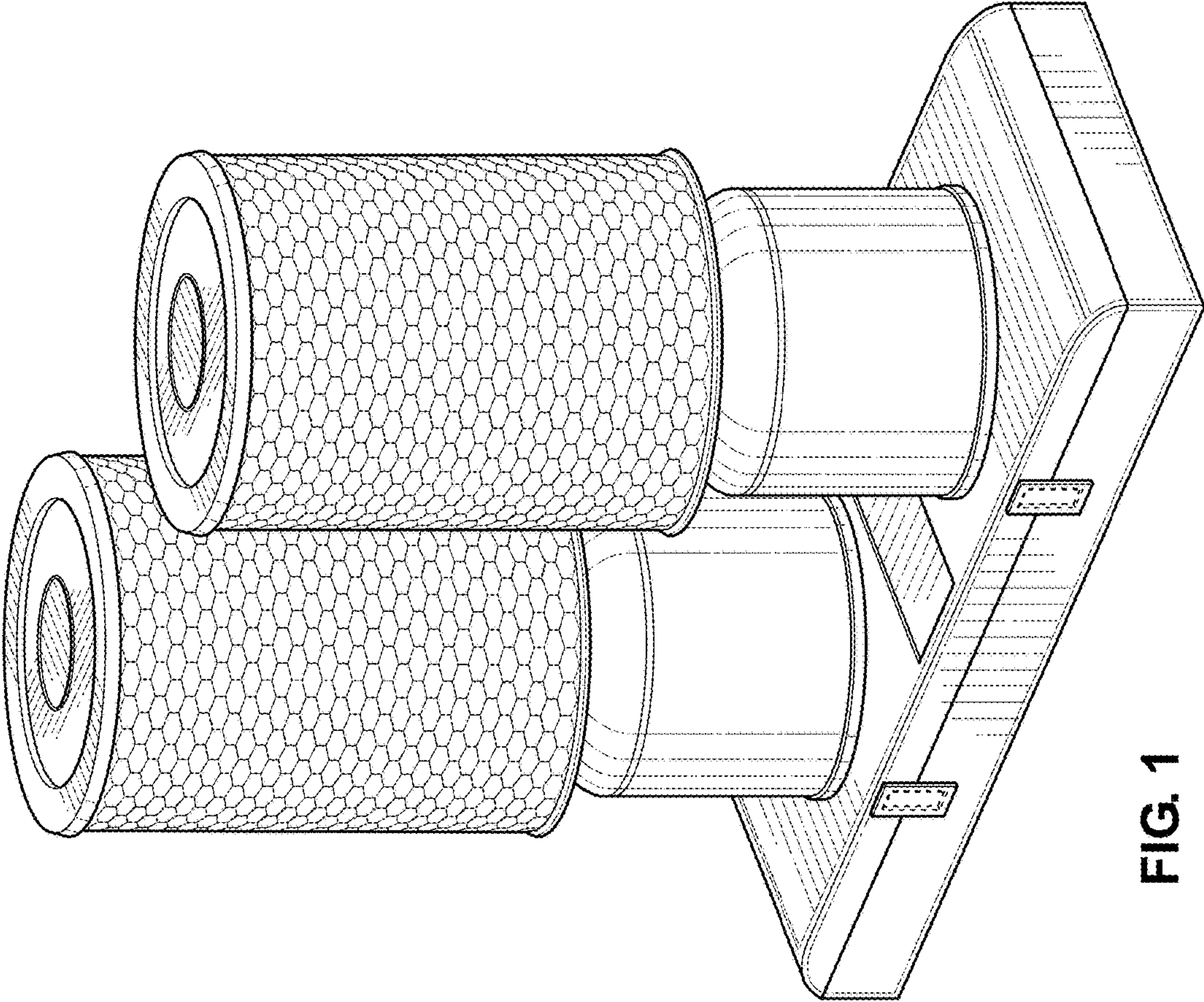


FIG. 1

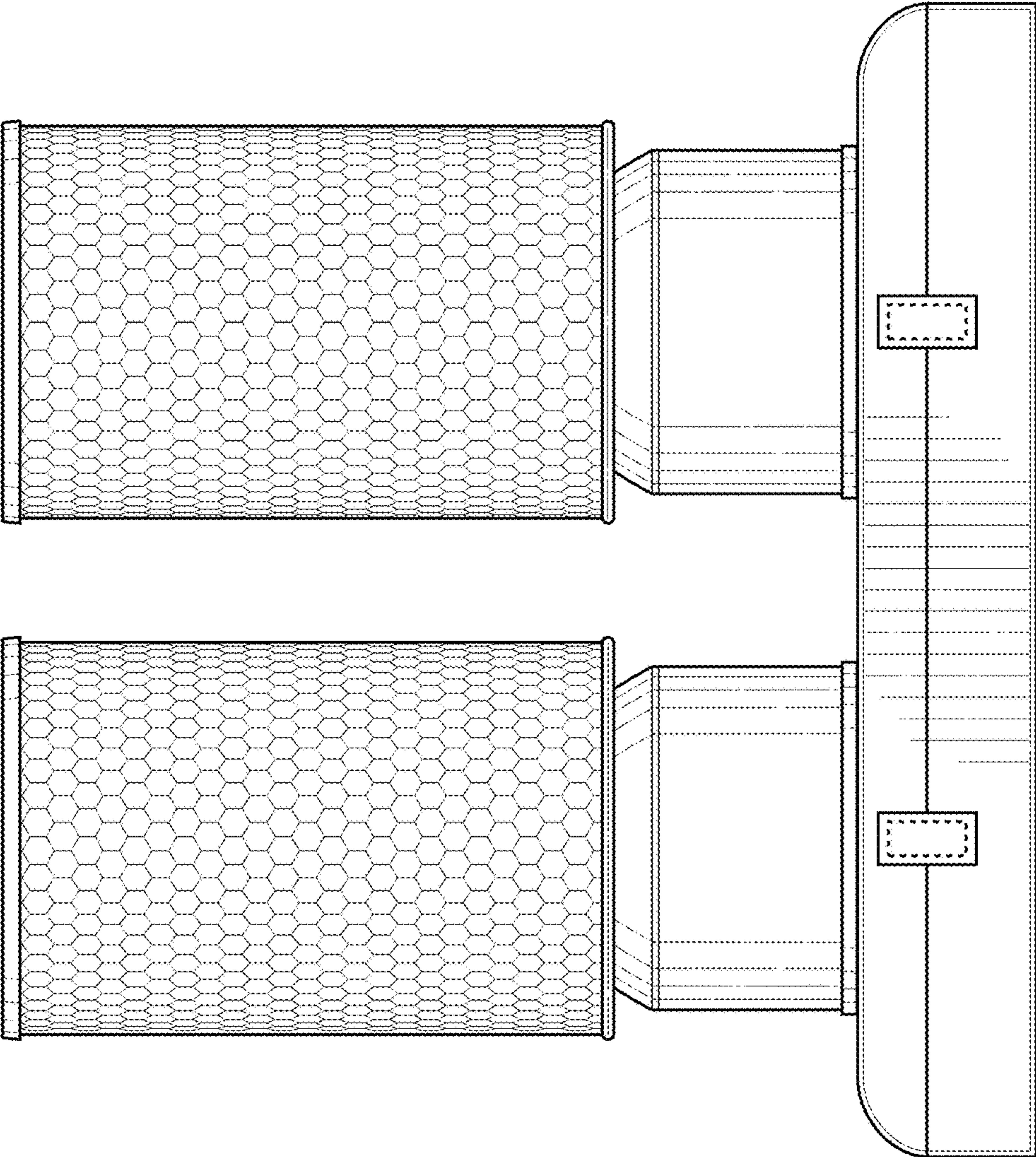


FIG. 2

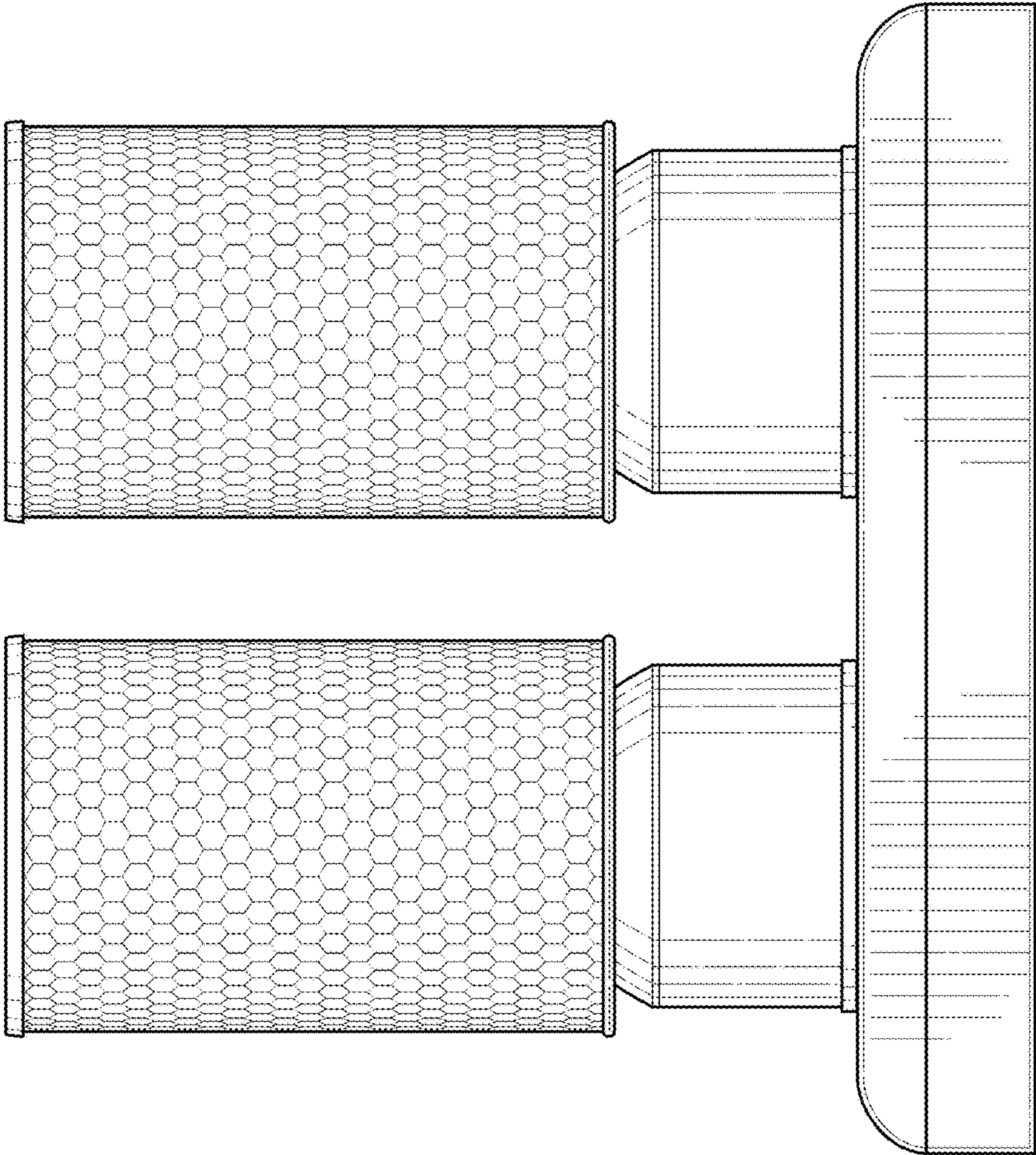


FIG. 3

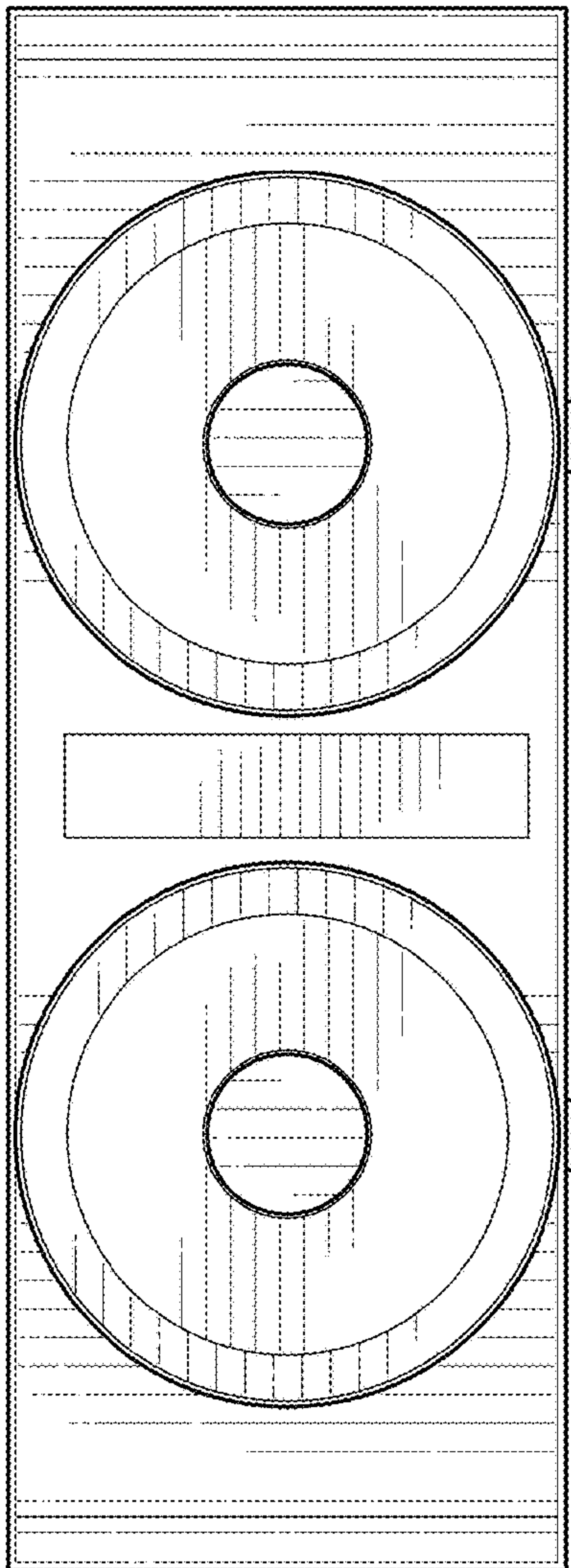


FIG. 4

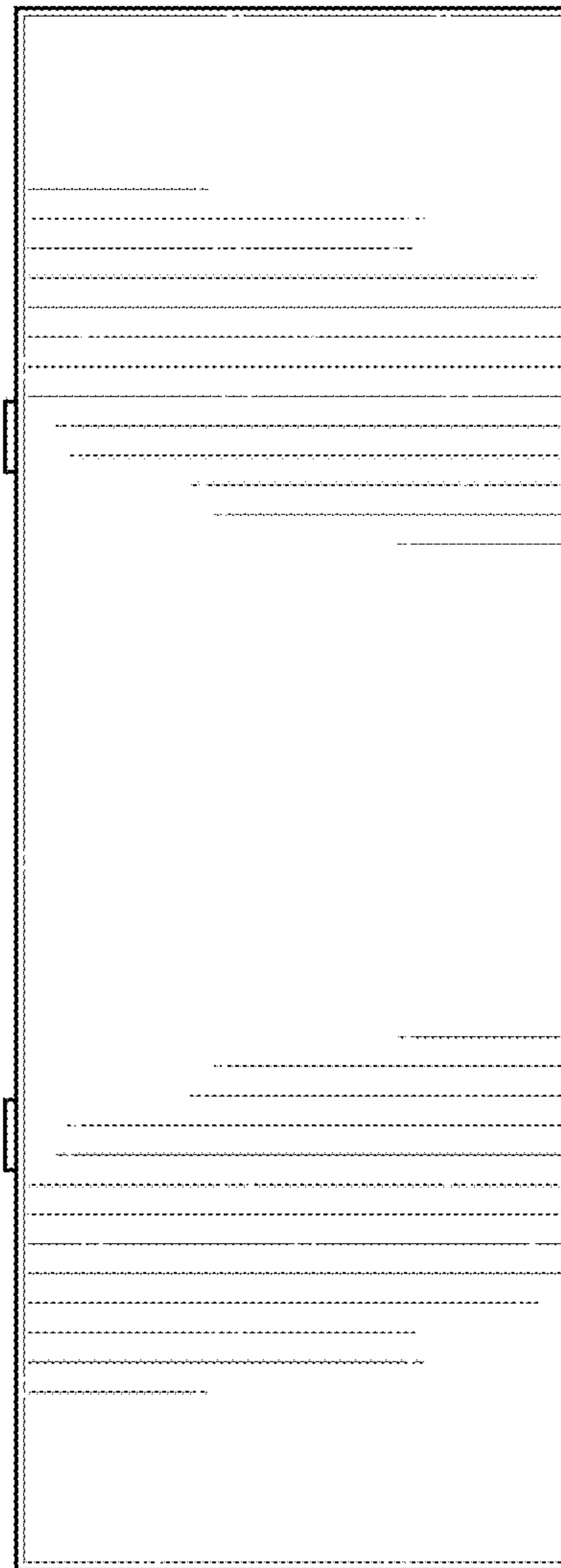


FIG. 5

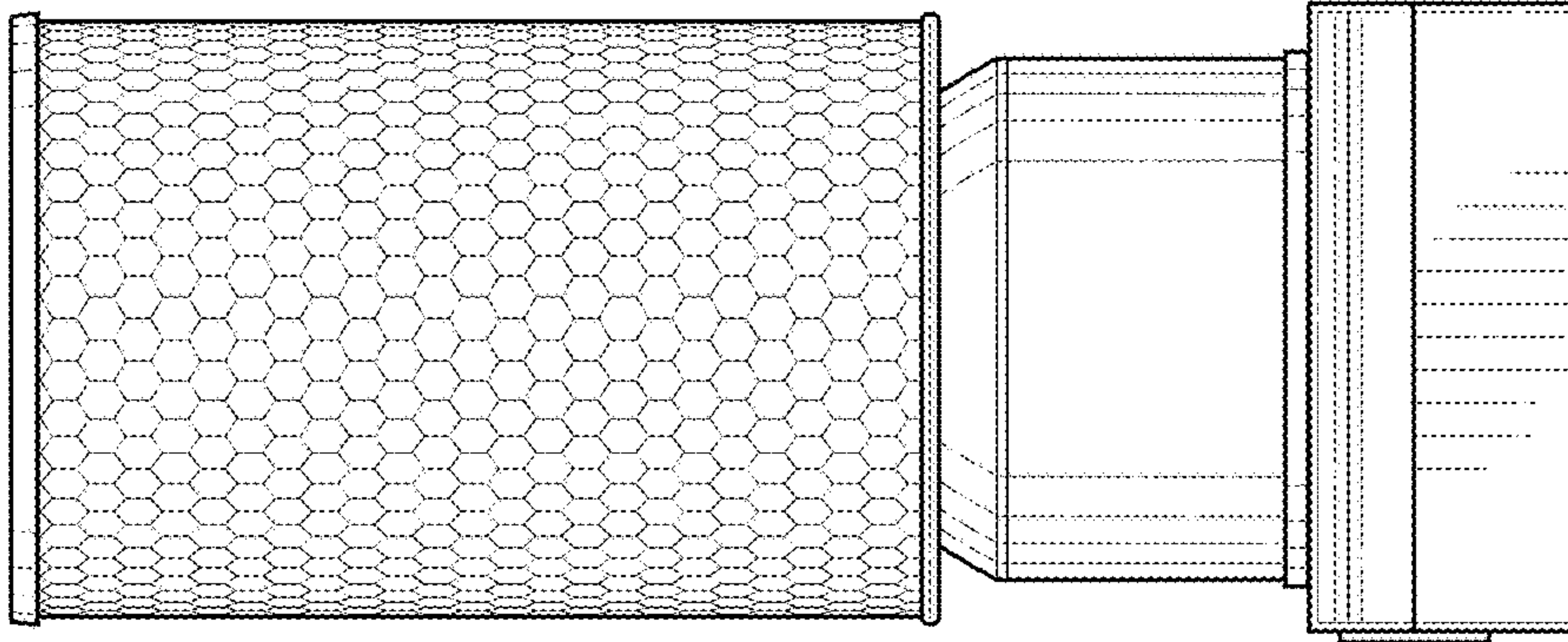


FIG. 7

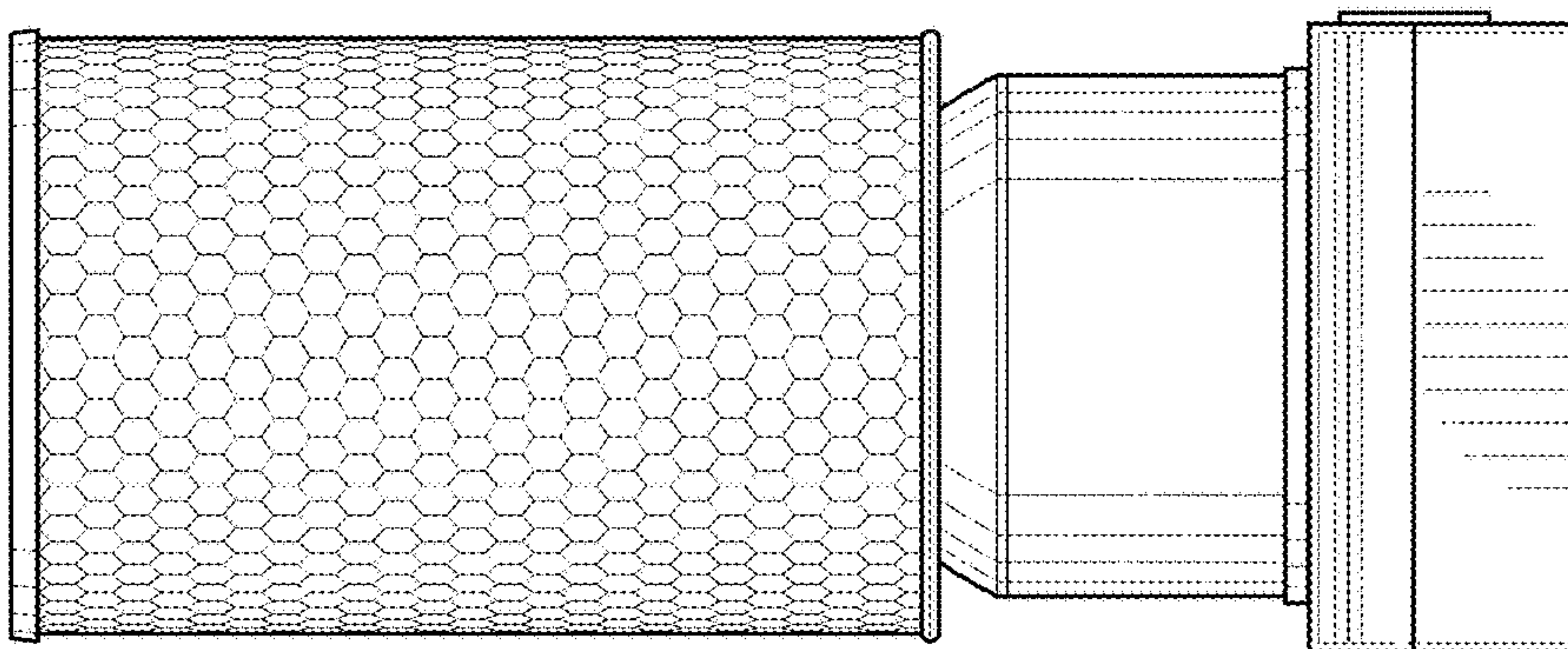


FIG. 6