



US00D820955S

(12) **United States Design Patent**
Ito et al.

(10) **Patent No.:** **US D820,955 S**
(45) **Date of Patent:** **** Jun. 19, 2018**

(54) **REGULATOR**

(71) Applicant: **SMC CORPORATION**, Tokyo (JP)

(72) Inventors: **Shinichi Ito**, Toride (JP); **Michihiro Hanada**, Tsukubamirai (JP)

(73) Assignee: **SMC CORPORATION**, Tokyo (JP)

(**) Term: **15 Years**

(21) Appl. No.: **29/599,146**

(22) Filed: **Mar. 31, 2017**

(30) **Foreign Application Priority Data**

Oct. 11, 2016 (JP) 2016-021992

(51) **LOC (11) Cl.** **23-01**

(52) **U.S. Cl.**
USPC **D23/235**; D10/85; D23/233

(58) **Field of Classification Search**
USPC D10/83, 85, 96; D23/200, 207, 209,
D23/233-250
CPC .. F16K 31/0655; F16K 31/0668; F16K 3/265;
G05D 7/0635; Y10T 137/7782; Y10T
137/7788

See application file for complete search history.

(56) **References Cited**

U.S. PATENT DOCUMENTS

D318,713 S * 7/1991 Miyake D23/209
D410,525 S * 6/1999 Uehara D23/235
D416,076 S * 11/1999 Okitsu D23/235
D444,722 S * 7/2001 Honma D10/85
D444,723 S * 7/2001 Honma D10/85
D632,362 S * 2/2011 Ito D23/233
D633,986 S * 3/2011 Ito D23/233
D640,153 S * 6/2011 Okitsu D10/85
D640,154 S * 6/2011 Okitsu D10/85
D657,276 S * 4/2012 Brose D10/83
D667,930 S * 9/2012 Yamada D23/233

D694,370 S * 11/2013 Wilcox D23/245
D695,141 S * 12/2013 Ashino D10/85
D737,934 S * 9/2015 Sakamoto D23/235
D779,046 S * 2/2017 Tansey, Jr. D23/262
D785,756 S * 5/2017 Ueno D23/235

(Continued)

FOREIGN PATENT DOCUMENTS

JP D1340099 S 9/2008
JP D1340379 S 9/2008

(Continued)

OTHER PUBLICATIONS

CKD Corp., Design No. HJ2102274000 for "Regulator," Date of Publication: Aug. 24, 2009, including an English translation, 3 pages total.

(Continued)

Primary Examiner — Melanie H Tung

Assistant Examiner — Fritzgerald L Butac

(74) *Attorney, Agent, or Firm* — Birch, Stewart, Kolasch & Birch, LLP

(57) **CLAIM**

The ornamental design for a regulator, as shown.

DESCRIPTION

FIG. 1 is a front, top and left side perspective view of a regulator showing our new design;

FIG. 2 is a rear, bottom and right side perspective view thereof;

FIG. 3 is a front view thereof;

FIG. 4 is a rear view thereof;

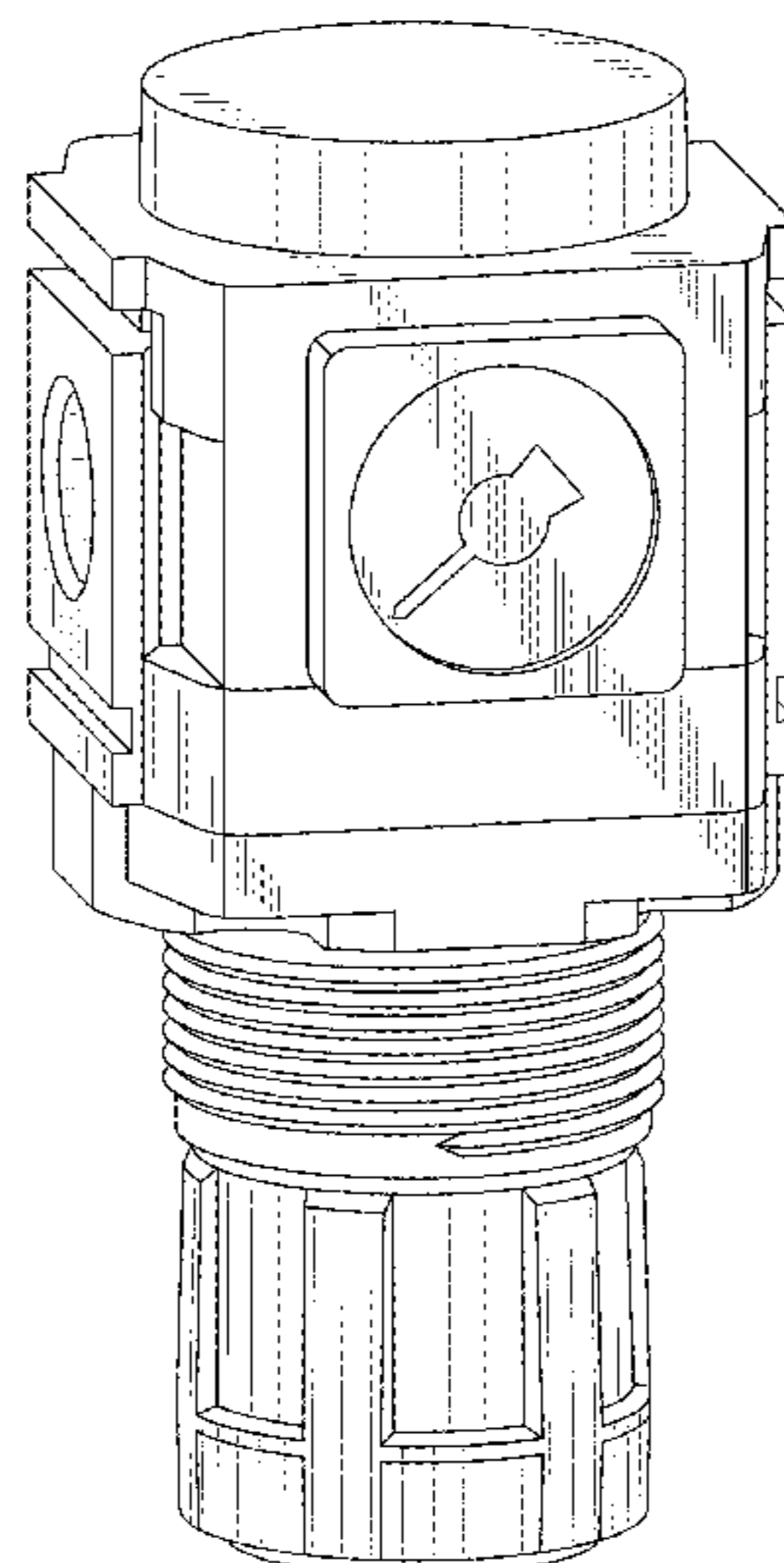
FIG. 5 is a top plan view thereof;

FIG. 6 is a bottom plan view thereof;

FIG. 7 is a left side view thereof; and,

FIG. 8 is a right side view thereof.

1 Claim, 8 Drawing Sheets



(56)

References Cited

U.S. PATENT DOCUMENTS

D796,007 S * 8/2017 Ueno D23/233
D796,008 S * 8/2017 Ueno D23/233

FOREIGN PATENT DOCUMENTS

JP 1410548 S 4/2011
JP D1430996 S 1/2012
JP D1430997 S 1/2012
JP D1430998 S 1/2012

OTHER PUBLICATIONS

Japanese Rejection of the Application for Japanese Application No. 2016-021992, dated Mar. 7, 2017, with an English translation. TACO Corp., Design No. HC1706698900 for "Regulator," (Pneumatic equipment, Centralized lubrication apparatus, Detecting apparatus, System engineering General Catalog), Accession Date: Jan. 27, 2006, including an English translation, 4 pages total.

* cited by examiner

FIG. 1

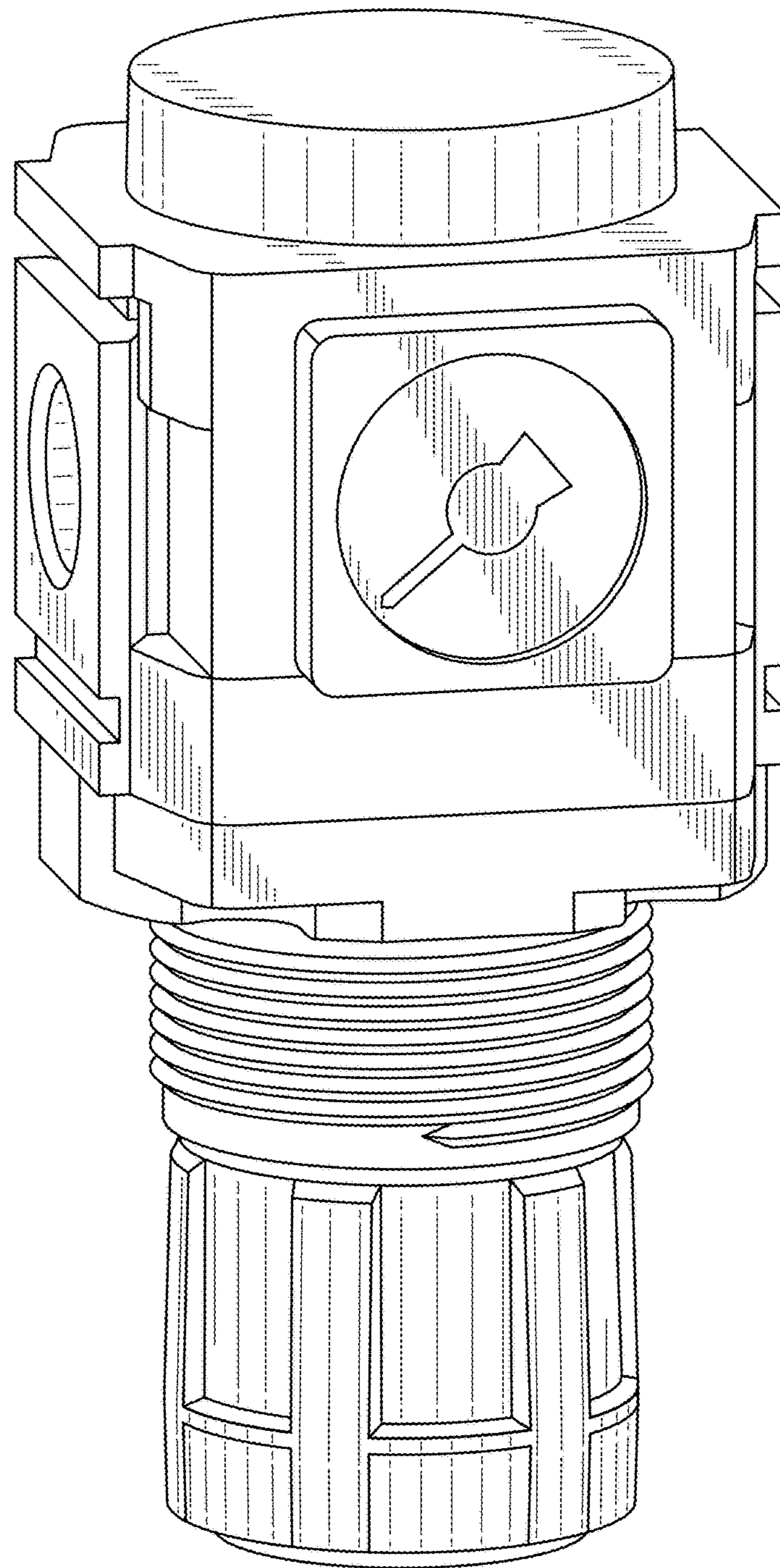


FIG. 2

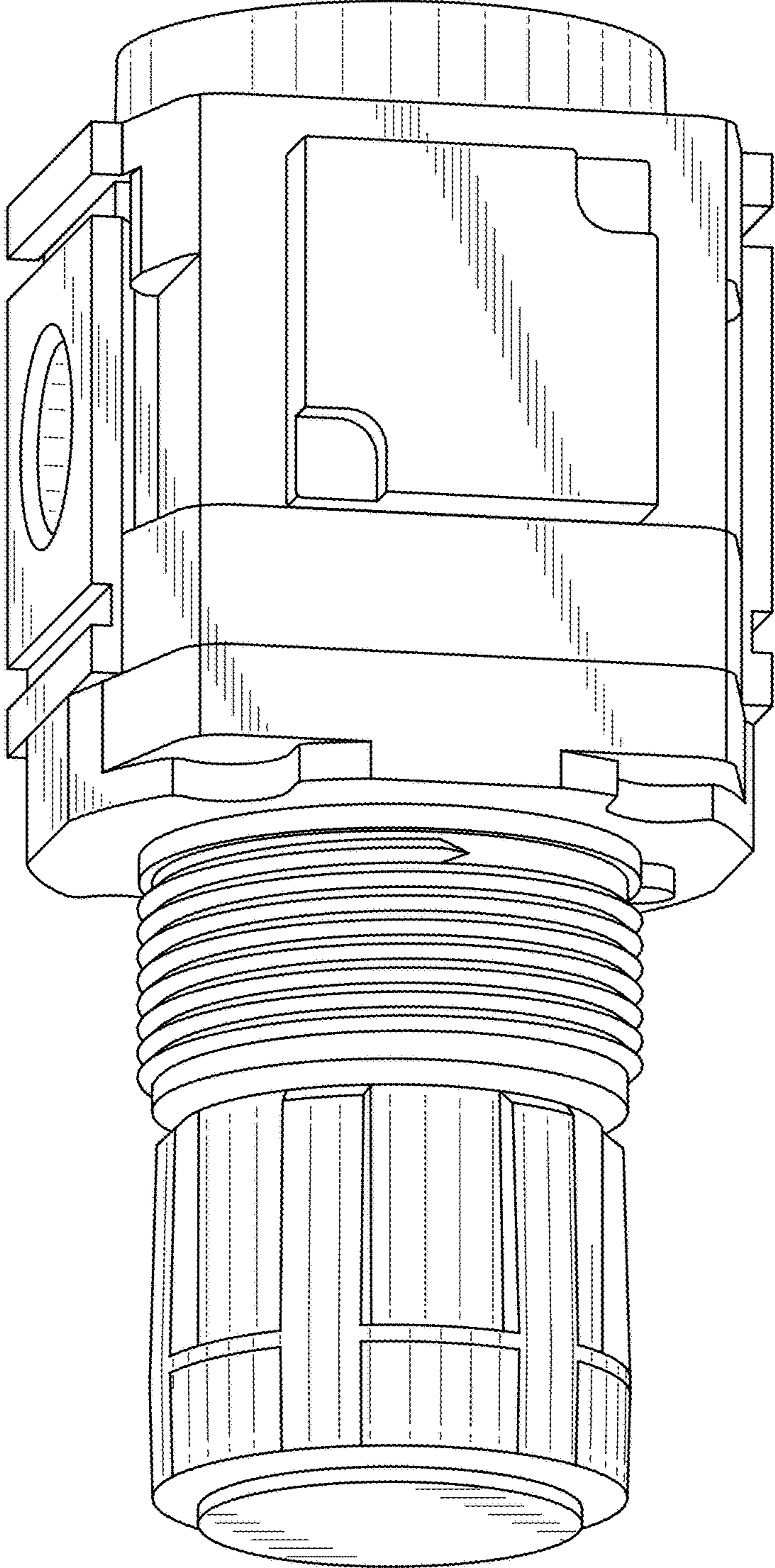


FIG. 3

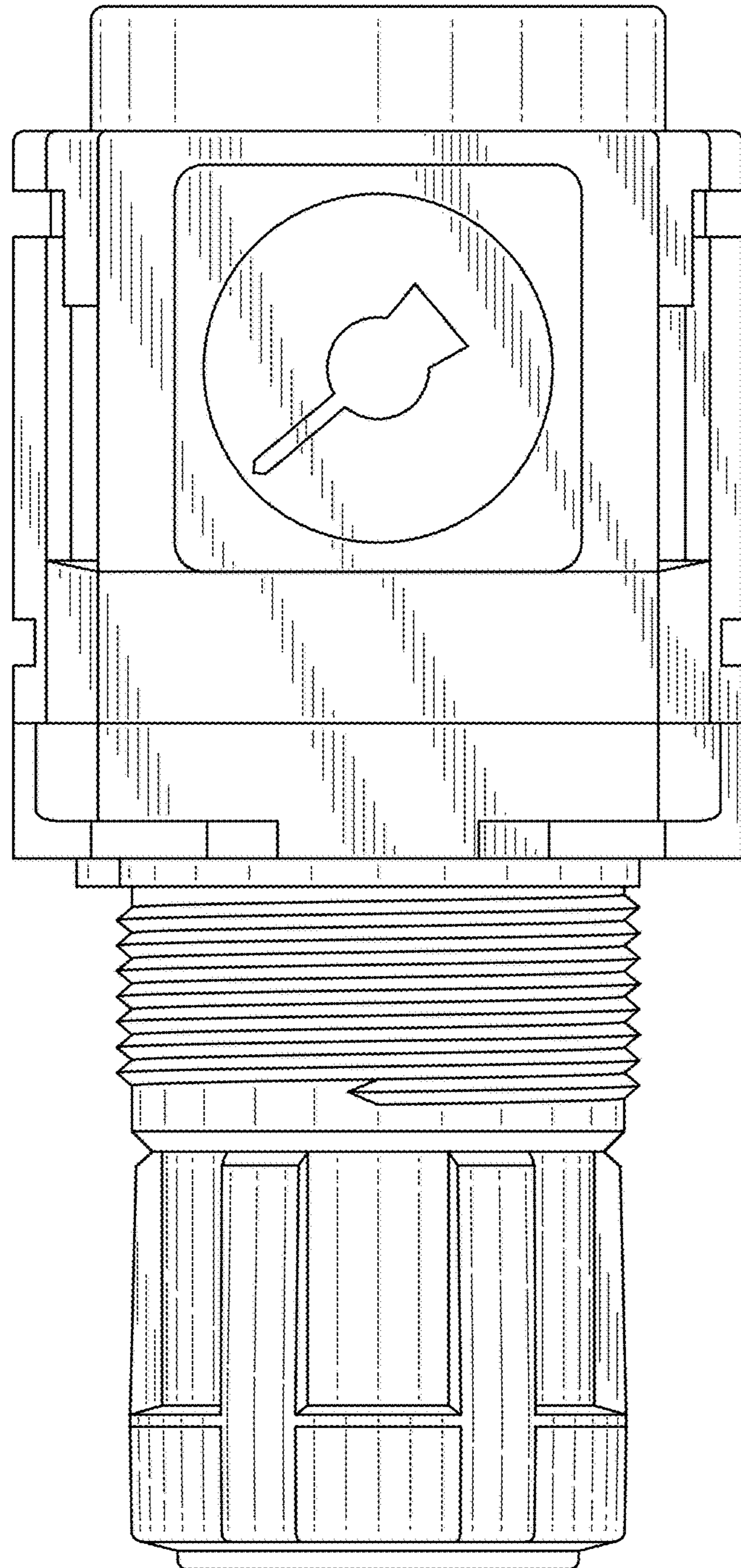


FIG. 4

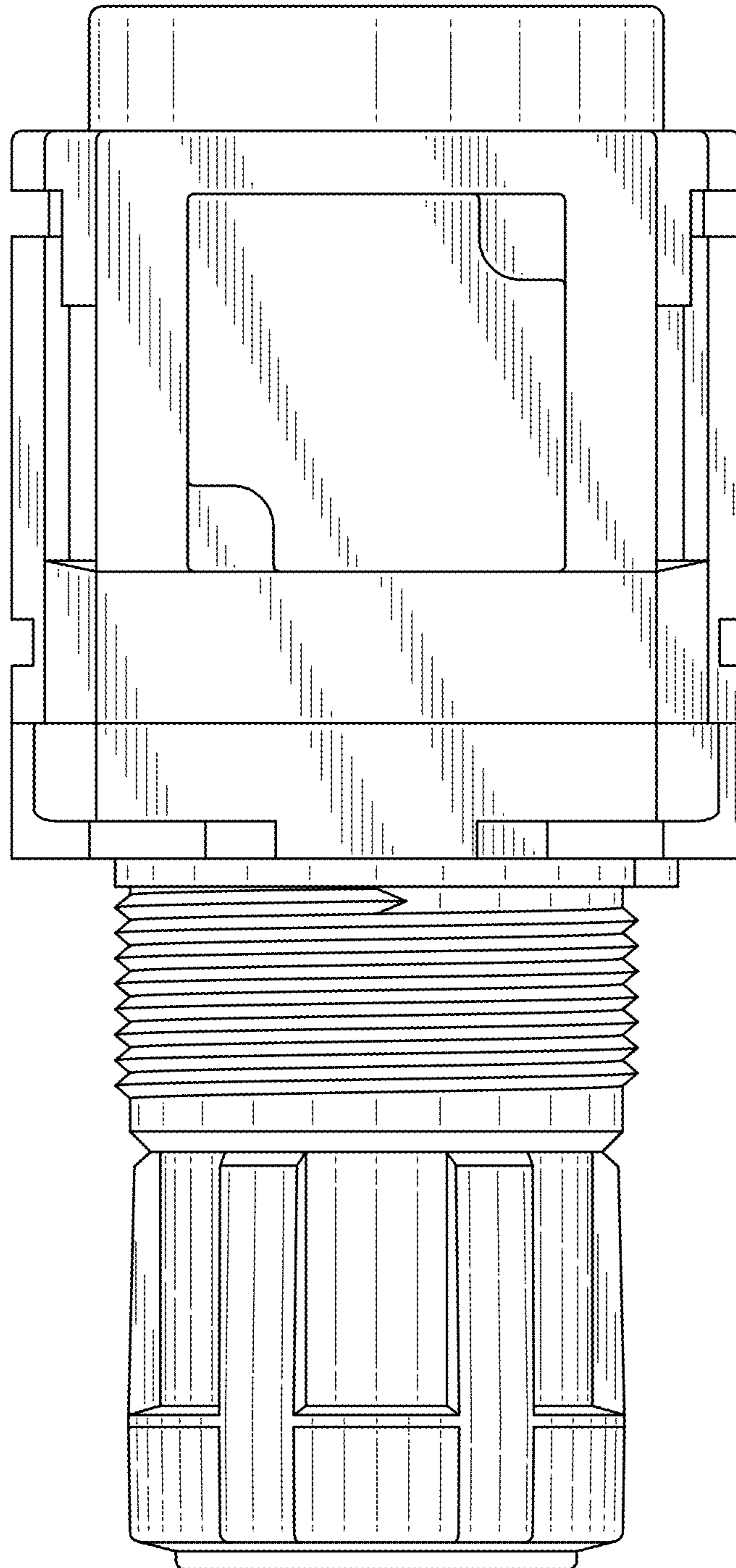


FIG. 5

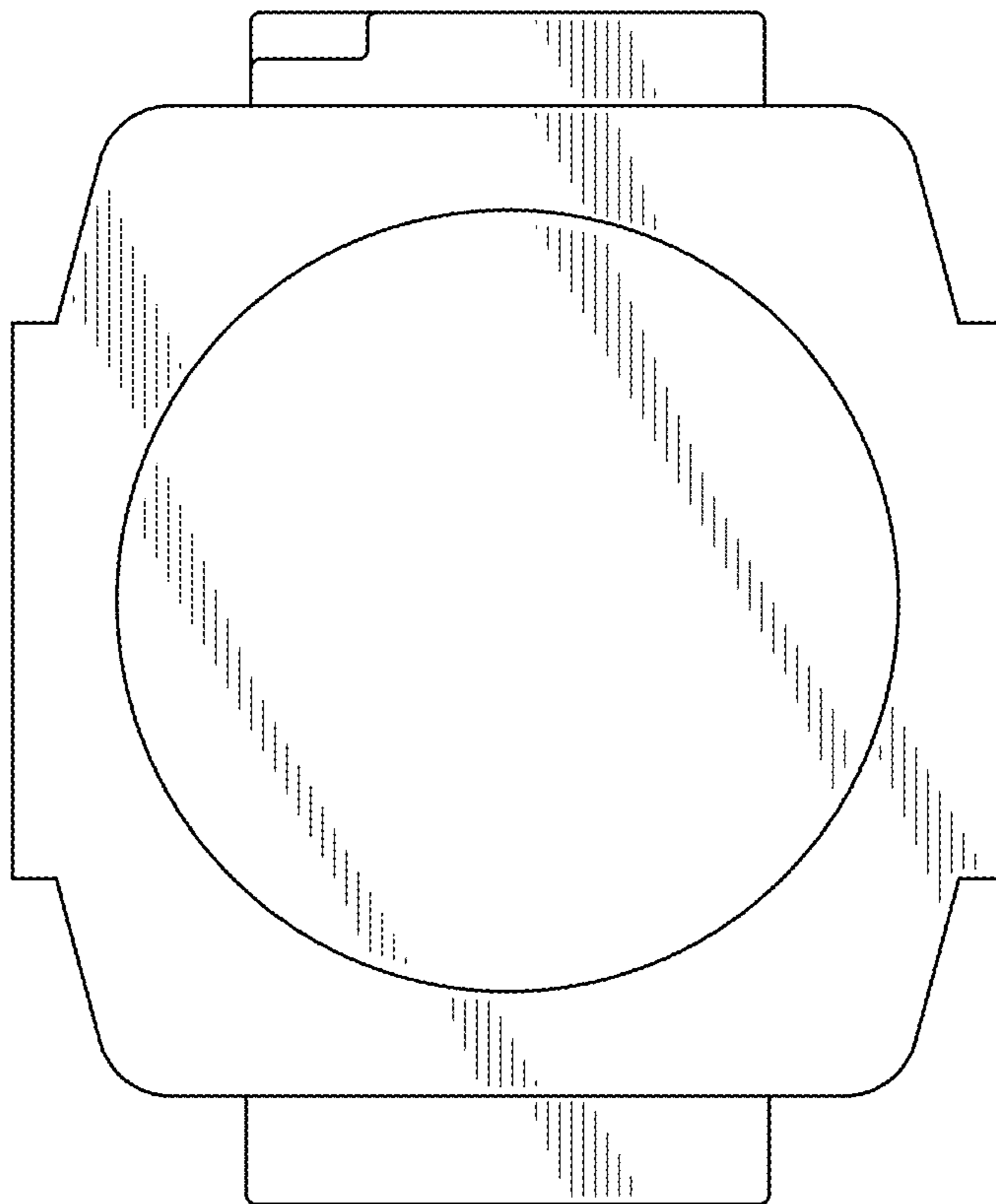


FIG. 6

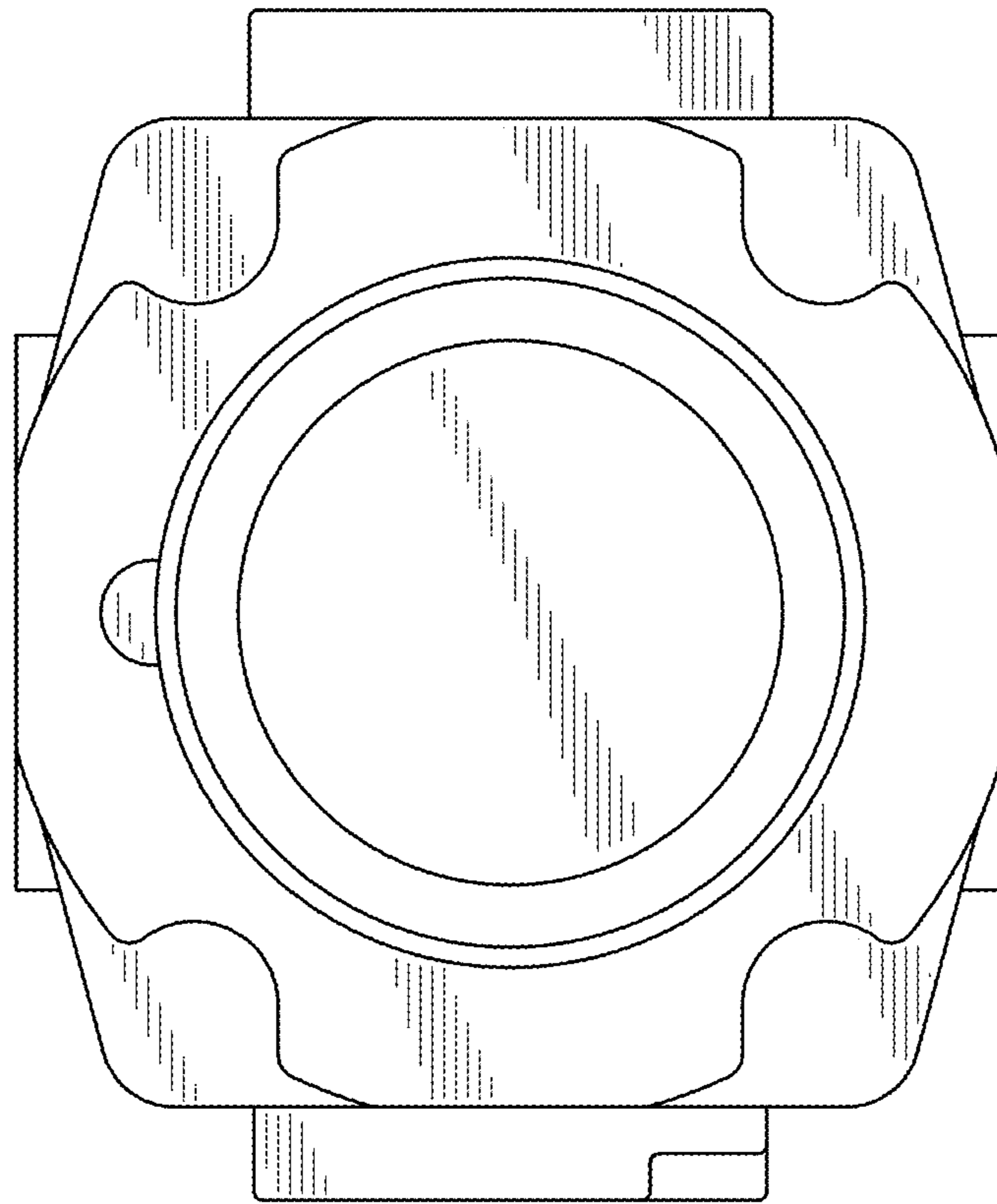


FIG. 7

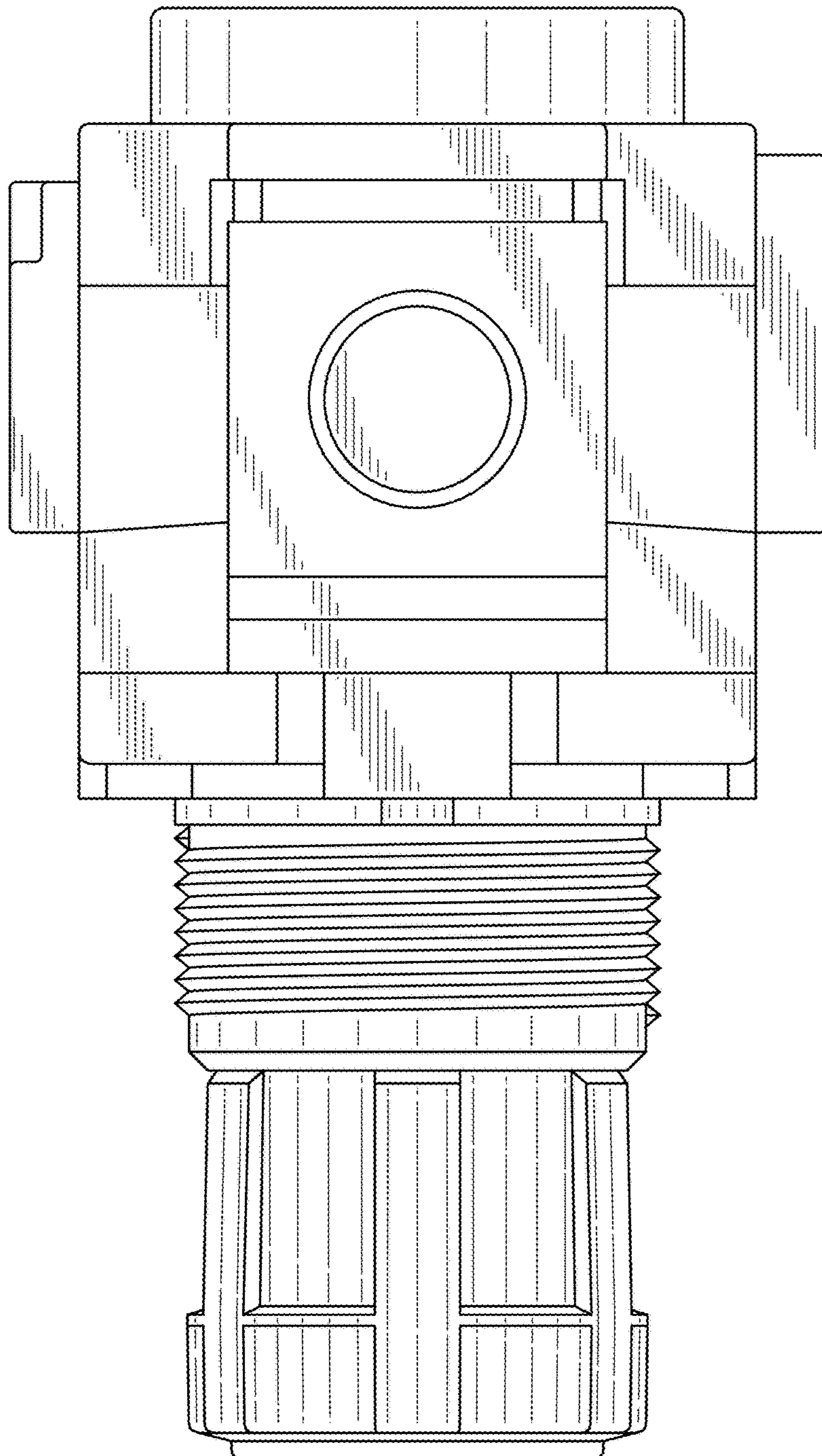


FIG. 8

