



US00D820954S

(12) **United States Design Patent**
Lee

(10) **Patent No.:** **US D820,954 S**
(45) **Date of Patent:** **** Jun. 19, 2018**

(54) **HANDHELD SHOWERHEAD**

(71) Applicant: **Jin-Wook Lee**, Goyang-si (KR)

(72) Inventor: **Jin-Wook Lee**, Goyang-si (KR)

(**) Term: **15 Years**

(21) Appl. No.: **29/599,091**

(22) Filed: **Mar. 31, 2017**

(30) **Foreign Application Priority Data**

Feb. 6, 2017 (KR) 30-2017-0005442

(51) **LOC (11) Cl.** **23-01**

(52) **U.S. Cl.**
USPC **D23/223**

(58) **Field of Classification Search**
USPC D23/213, 223, 229, 230; D24/200, 215
CPC E03C 1/06; B05B 1/00; B05B 5/00; B05B
1/005; B05B 13/005
See application file for complete search history.

(56) **References Cited**

U.S. PATENT DOCUMENTS

D431,278 S * 9/2000 Tse D23/223
D524,908 S * 7/2006 Hoernig D23/223

D570,446 S * 6/2008 Zhou D23/223
D620,077 S * 7/2010 Lee D23/223
D692,094 S * 10/2013 Berger D23/223
D721,420 S * 1/2015 Hawkins D23/223
D721,421 S * 1/2015 Hawkins D23/223

* cited by examiner

Primary Examiner — Robin V Webster

(74) *Attorney, Agent, or Firm* — Revolution IP, PLLC

(57) **CLAIM**

The ornamental design for a “handheld showerhead,” as shown and described.

DESCRIPTION

FIG. 1 is a perspective view of handheld showerhead showing my new design;
FIG. 2 is a front view thereof;
FIG. 3 is a rear view thereof;
FIG. 4 is a left side view thereof;
FIG. 5 is a right side view thereof;
FIG. 6 is a top view thereof;
FIG. 7 is a bottom view thereof; and,
FIG. 8 is a rear perspective view thereof.

1 Claim, 8 Drawing Sheets

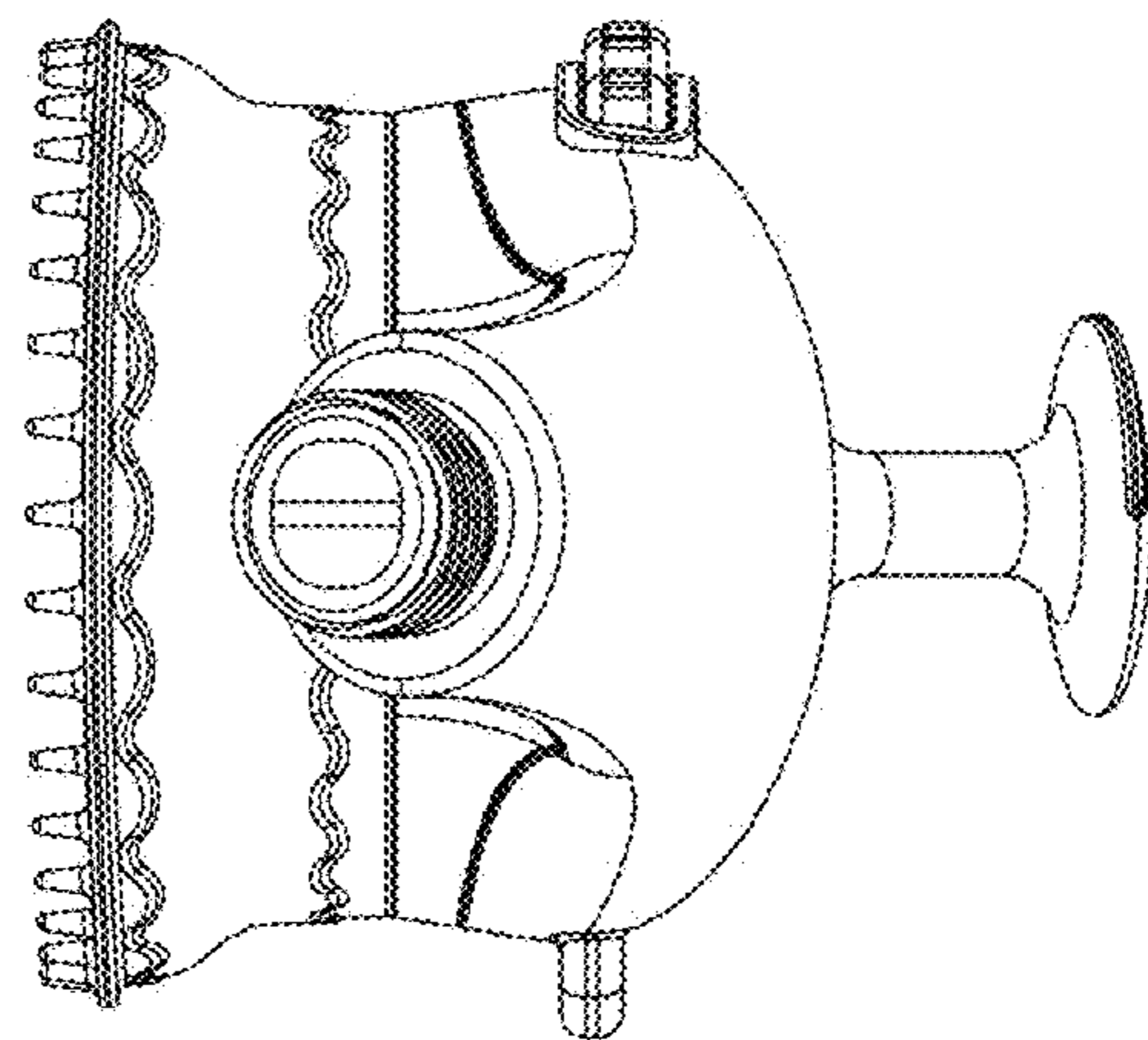
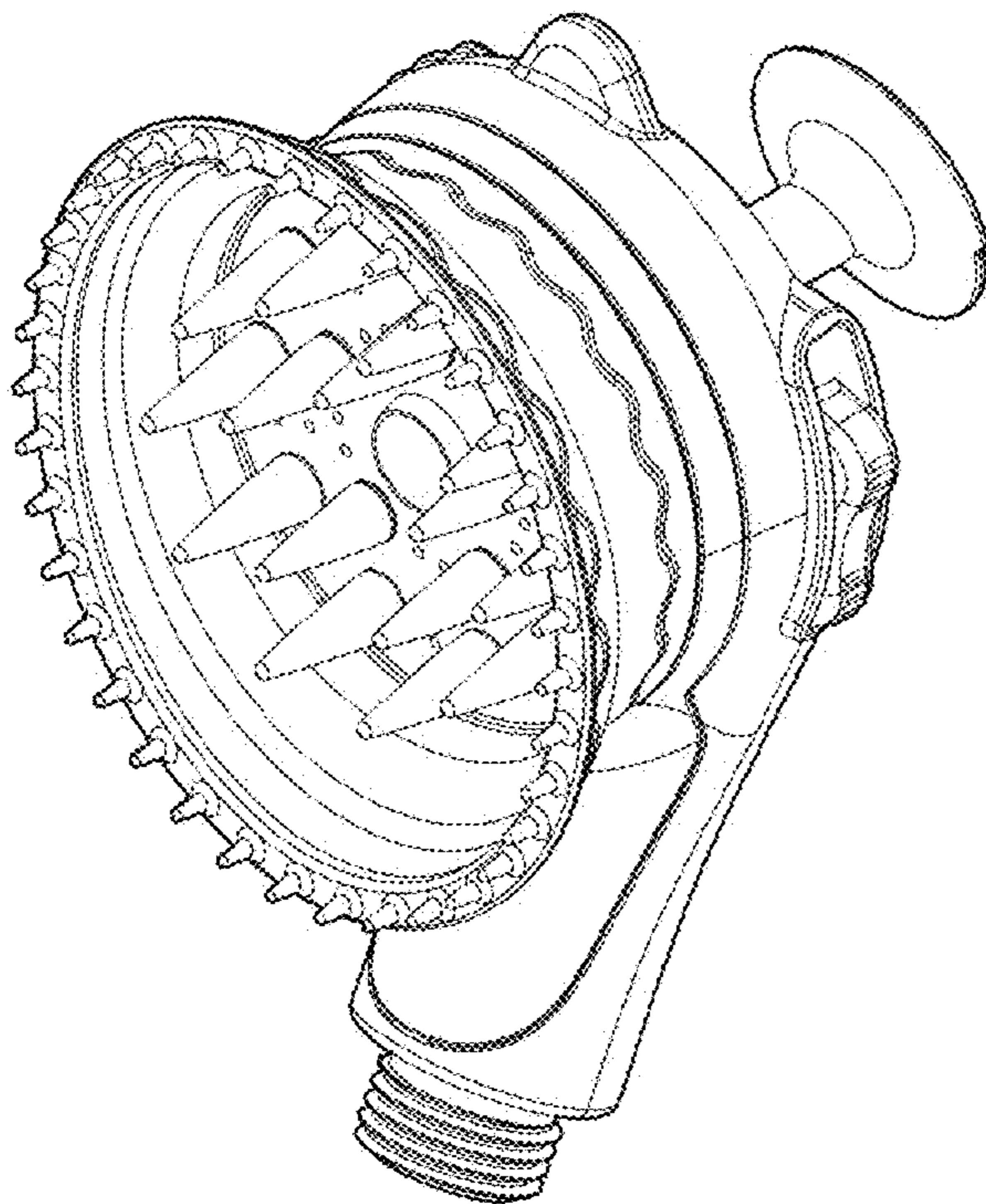


FIG. 1

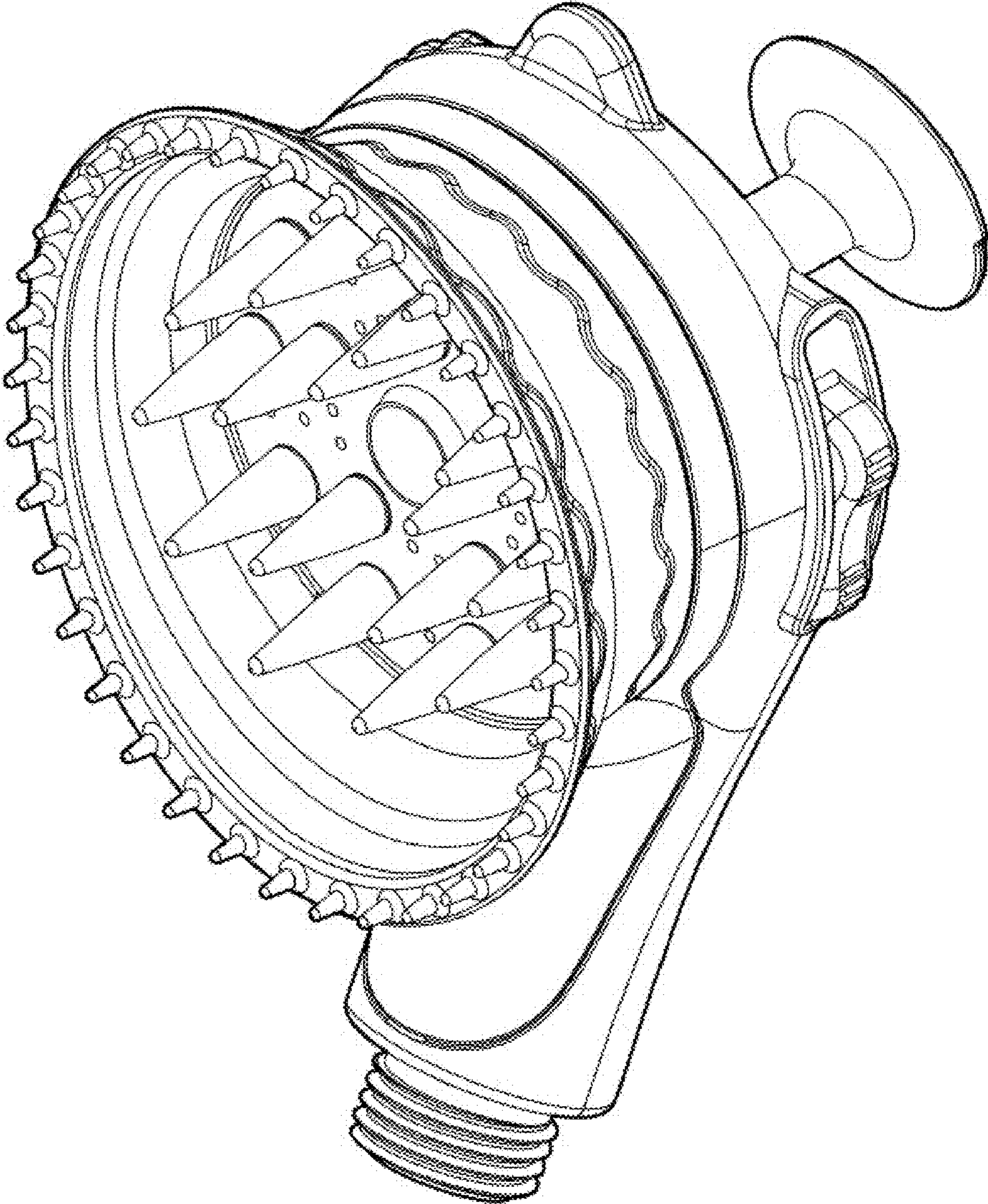


FIG. 2

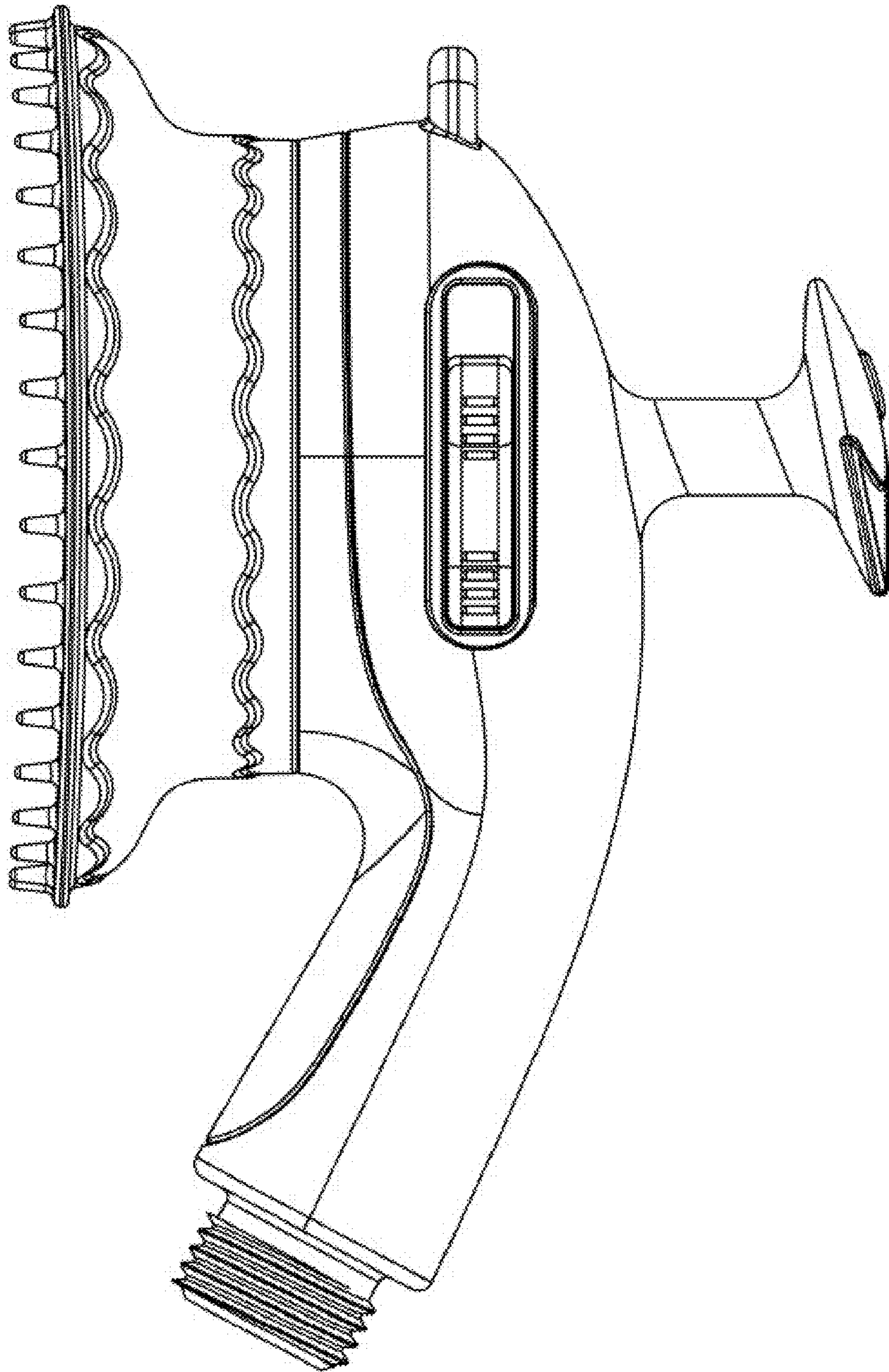


FIG. 3

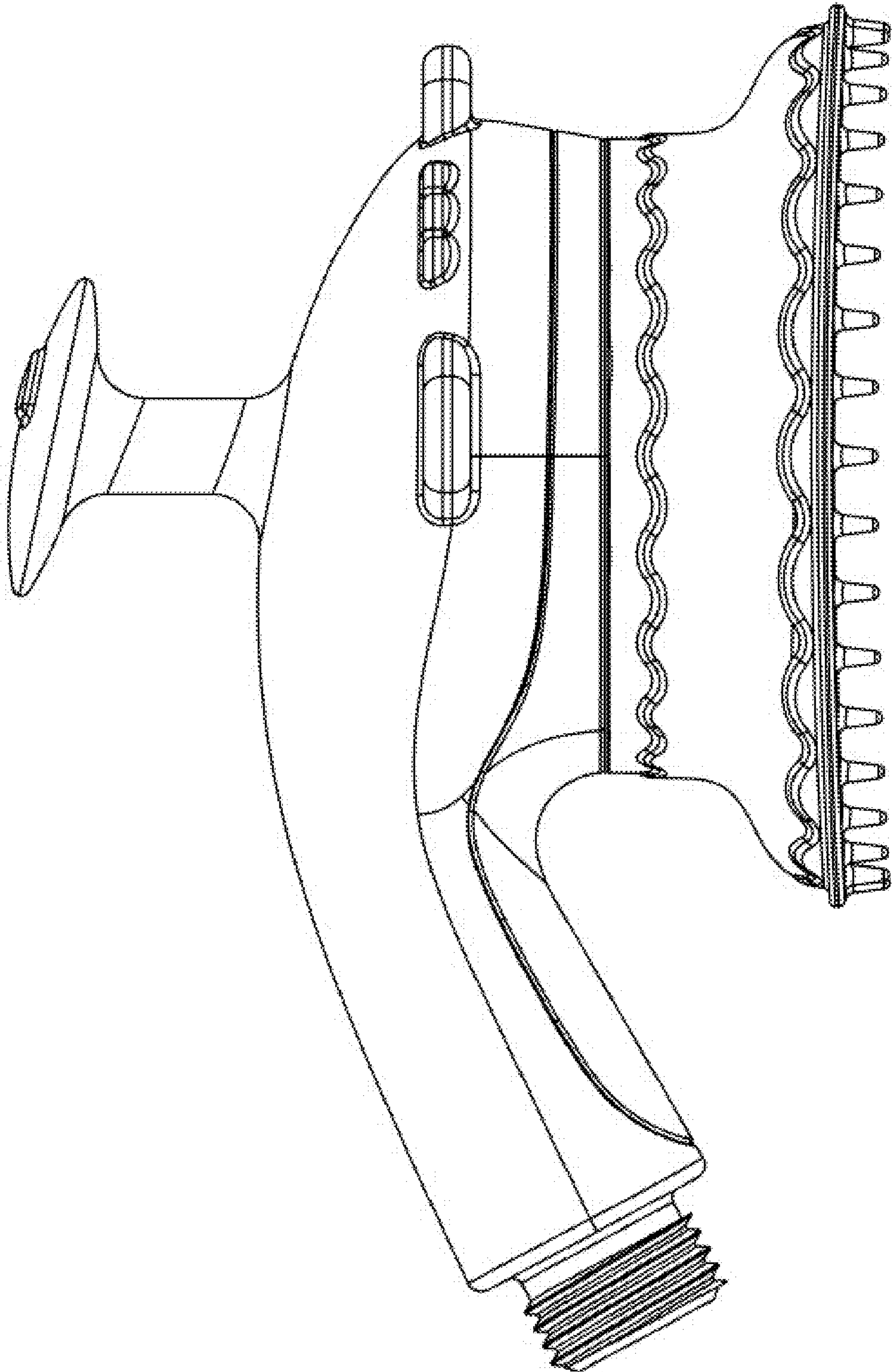


FIG. 4

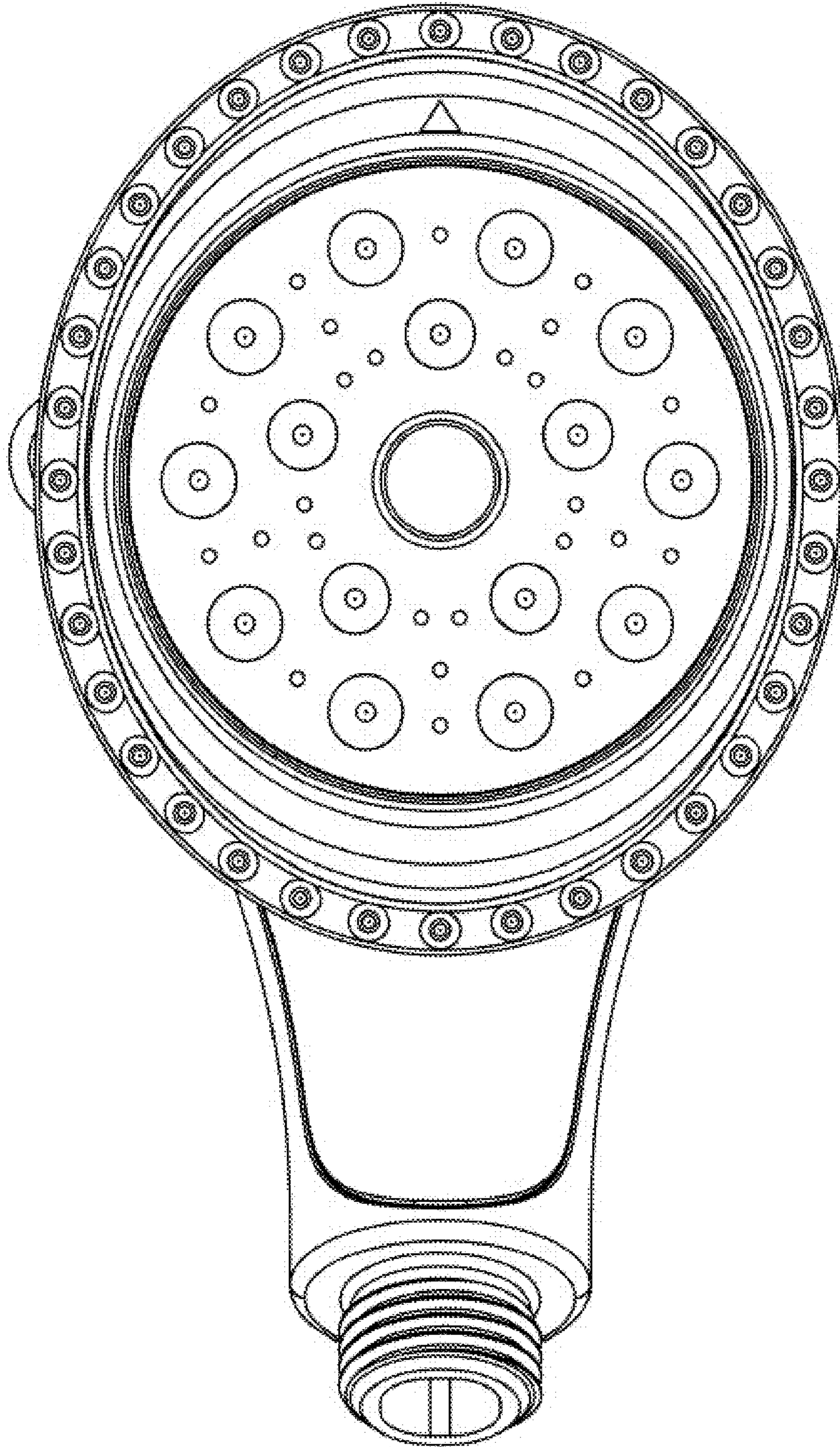


FIG. 5

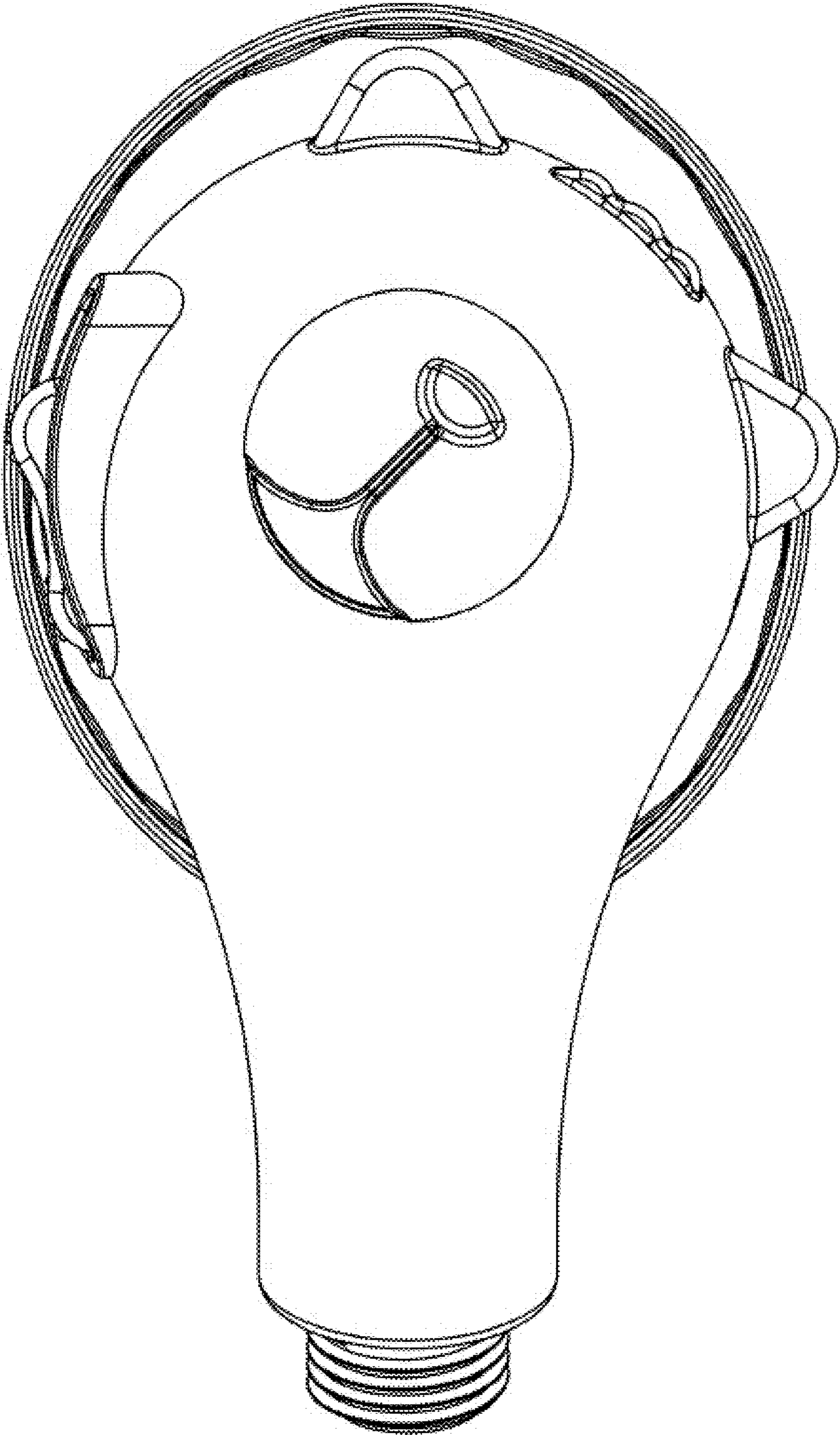


FIG. 6

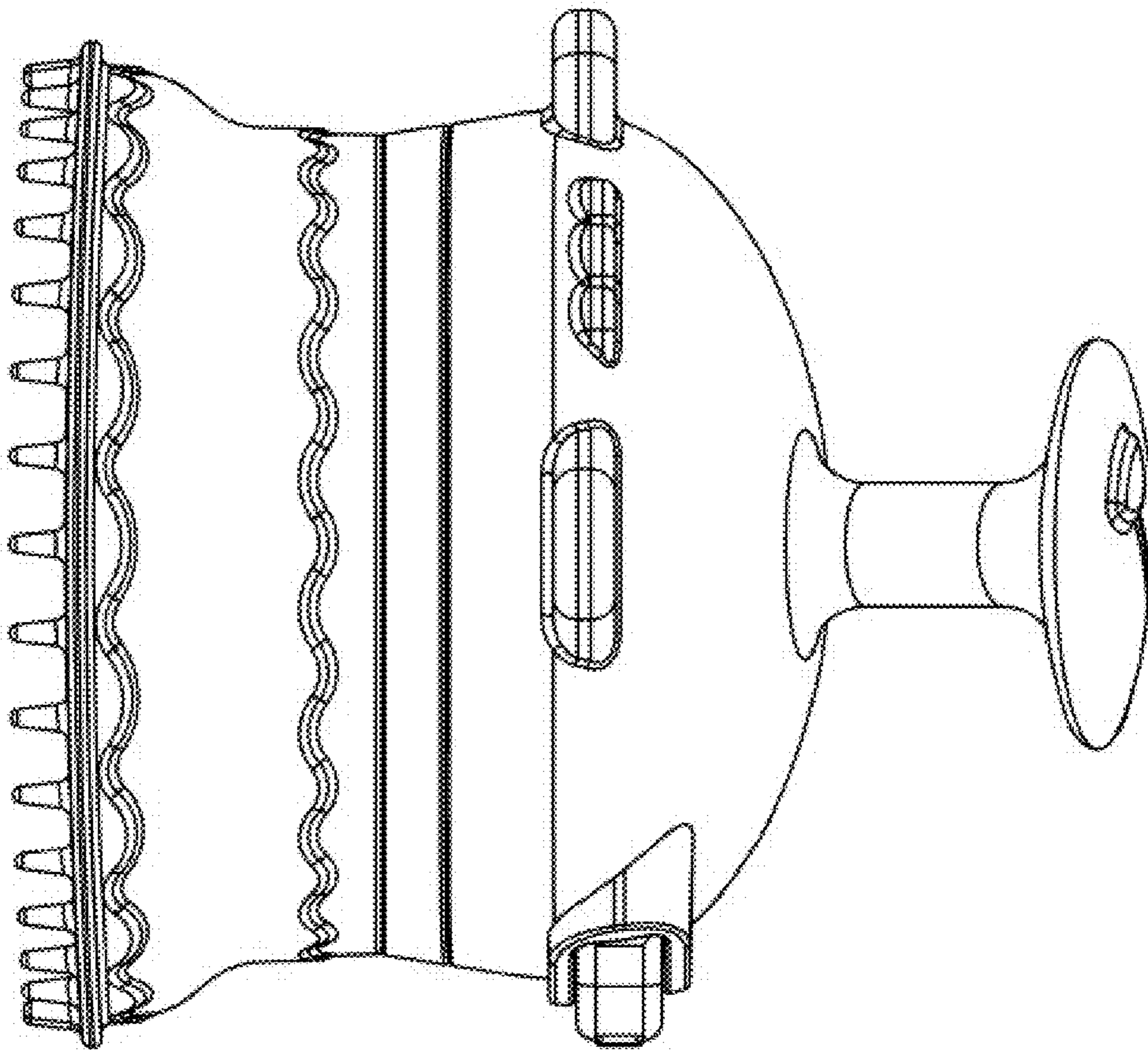


FIG. 7

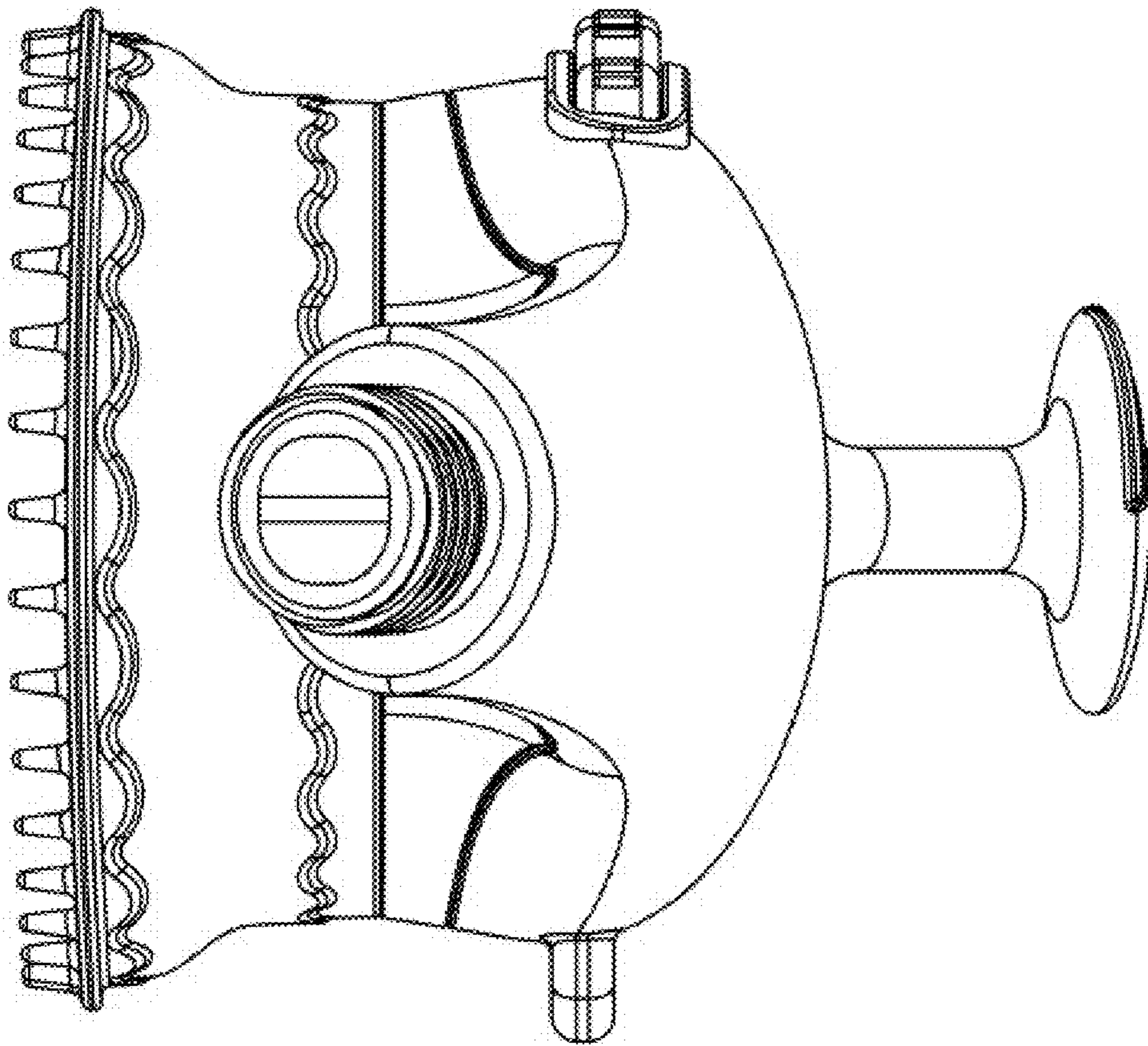


FIG. 8

