



US00D820952S

(12) **United States Design Patent**
Chen

(10) **Patent No.:** **US D820,952 S**
(45) **Date of Patent:** **** Jun. 19, 2018**

(54) **SPRAY HEAD**

(71) Applicant: **SHIN TAI SPURT WATER OF THE GARDEN TOOLS CO., LTD.,**
Lu-Kang Town, Chang-Hua Hsien (TW)

(72) Inventor: **Chin-Yuan Chen,** Chang-Hua Hsien (TW)

(73) Assignee: **SHIN TAI SPURT WATER OF THE GARDEN TOOLS CO., LTD.,**
Chang-Hua Hsien (TW)

(**) Term: **15 Years**

(21) Appl. No.: **29/590,175**

(22) Filed: **Jan. 8, 2017**

(51) **LOC (11) Cl.** **23-01**

(52) **U.S. Cl.**
USPC **D23/223**

(58) **Field of Classification Search**
USPC D23/213, 223, 226, 225; 239/525, 526, 239/291

CPC B05B 1/00; B05B 9/01; B05B 15/061; B05B 3/00; B05B 5/00; B05B 1/005; B05B 13/005; B05B 1/3026

See application file for complete search history.

(56) **References Cited**

U.S. PATENT DOCUMENTS

8,950,693 B2 *	2/2015	Hsieh	B05B 1/3026 239/525
D749,696 S *	2/2016	Thurgood	D23/223
D768,817 S *	10/2016	Chen	D23/223
D774,164 S *	12/2016	Chen	D23/226
D774,165 S *	12/2016	Chen	D23/226

* cited by examiner

Primary Examiner — Robin V Webster

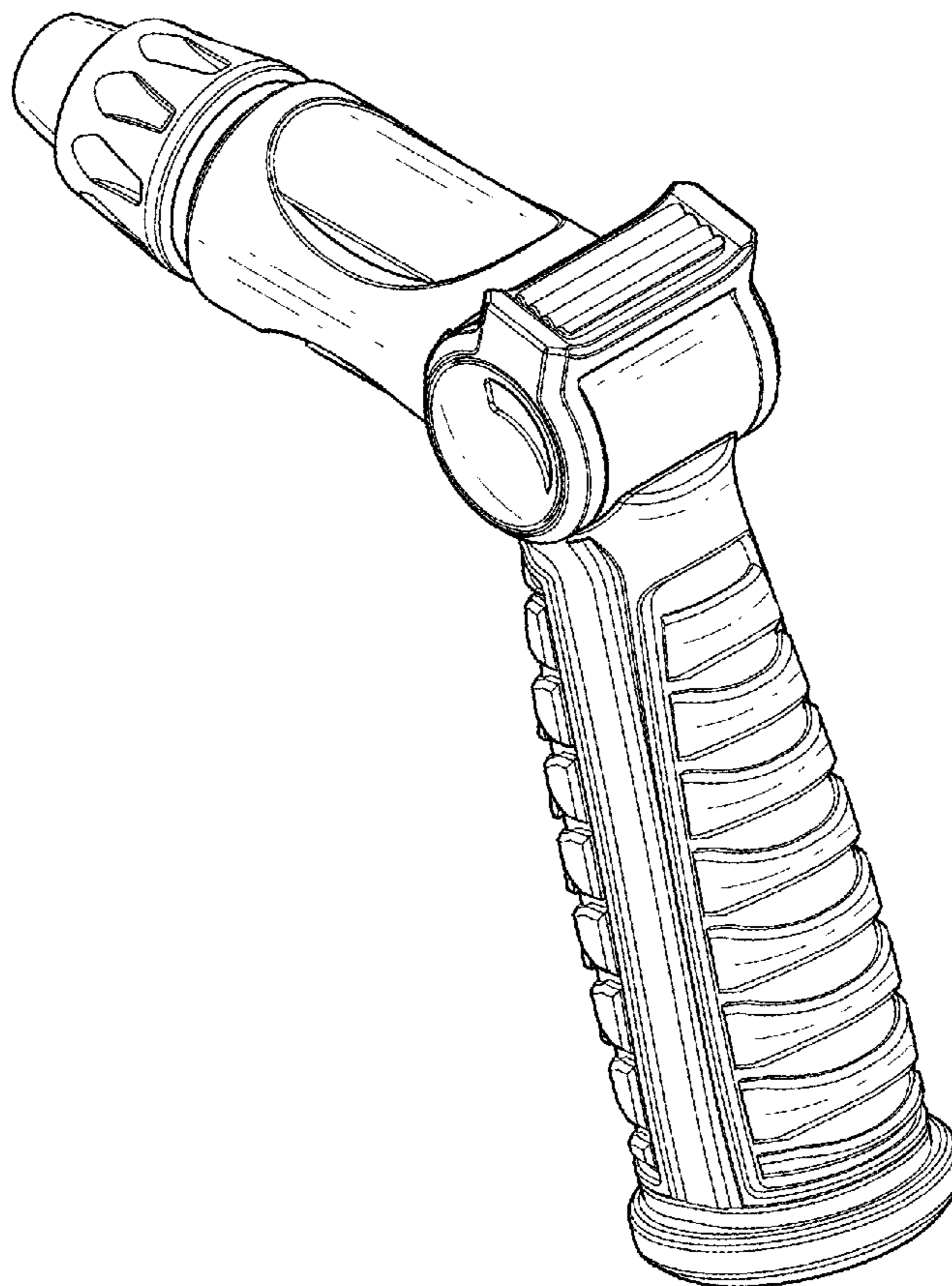
(57) **CLAIM**

The ornamental design for a spray head, as shown and described.

DESCRIPTION

FIG. 1 is a perspective view of a spray head showing my new design;
FIG. 2 is a front elevational view thereof;
FIG. 3 is a rear elevational view thereof;
FIG. 4 is a left side elevational view thereof;
FIG. 5 is a right side elevational view thereof;
FIG. 6 is a top plan view thereof; and,
FIG. 7 is a bottom plan view thereof.

1 Claim, 4 Drawing Sheets



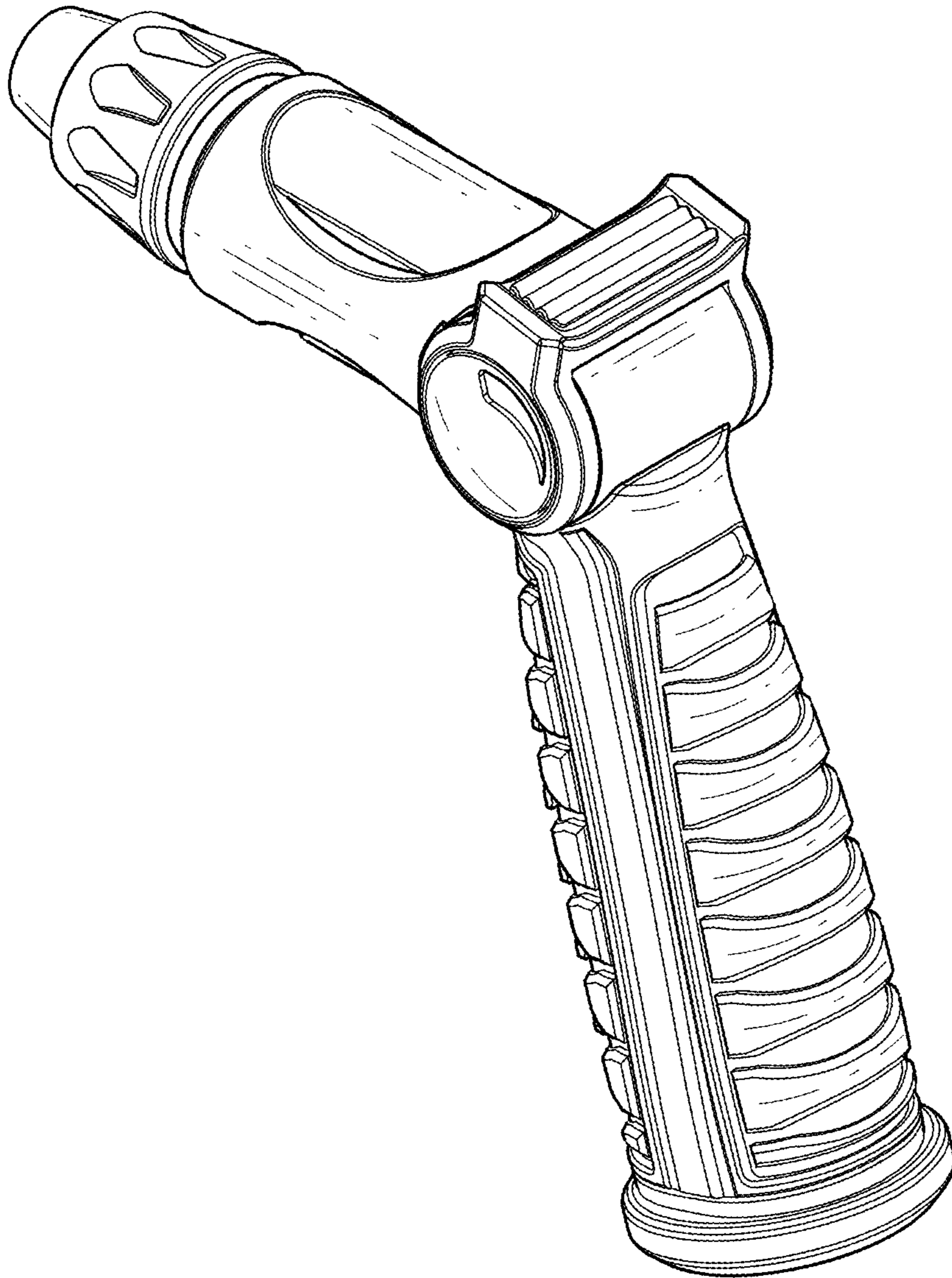


FIG. 1

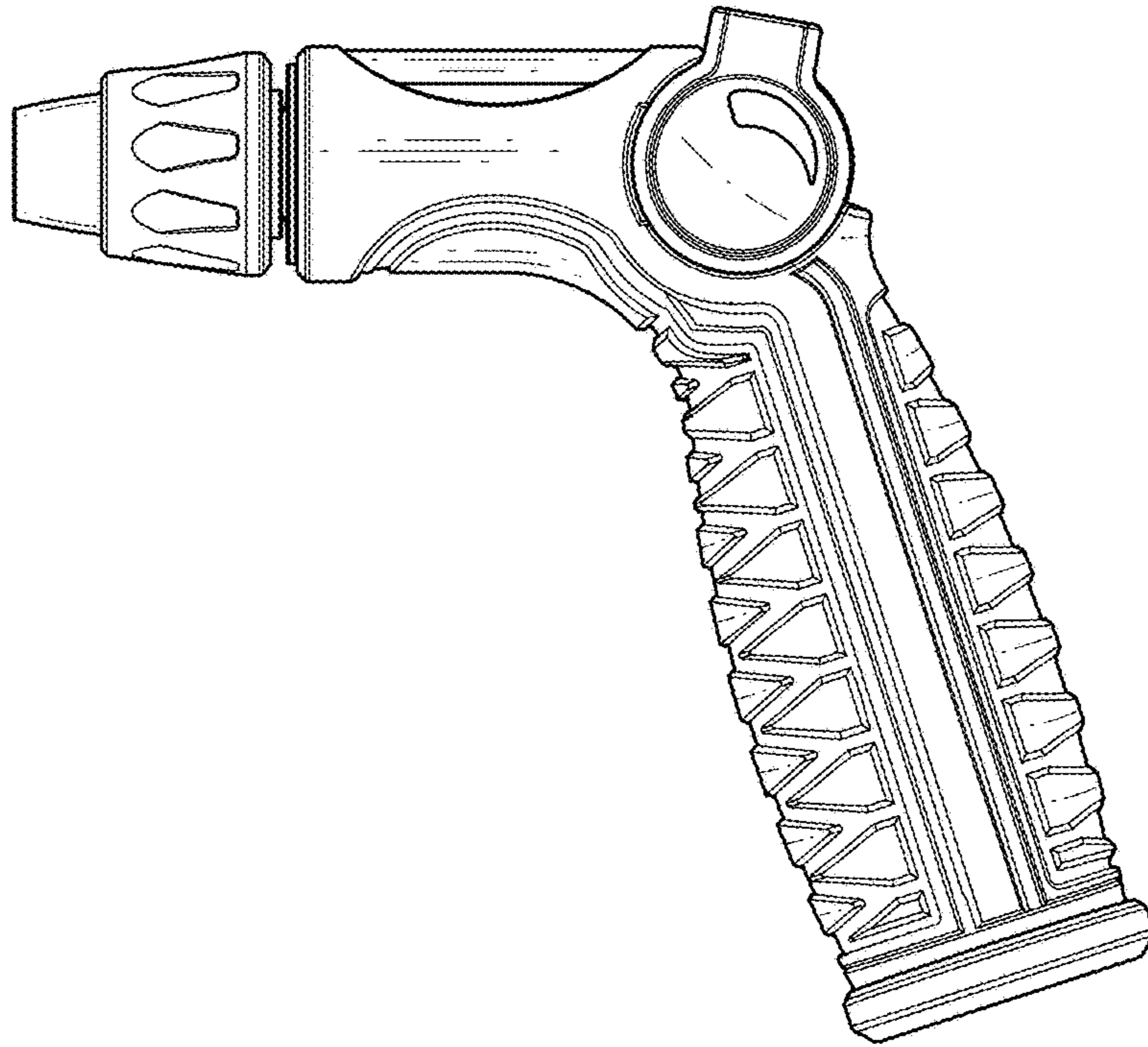


FIG. 2

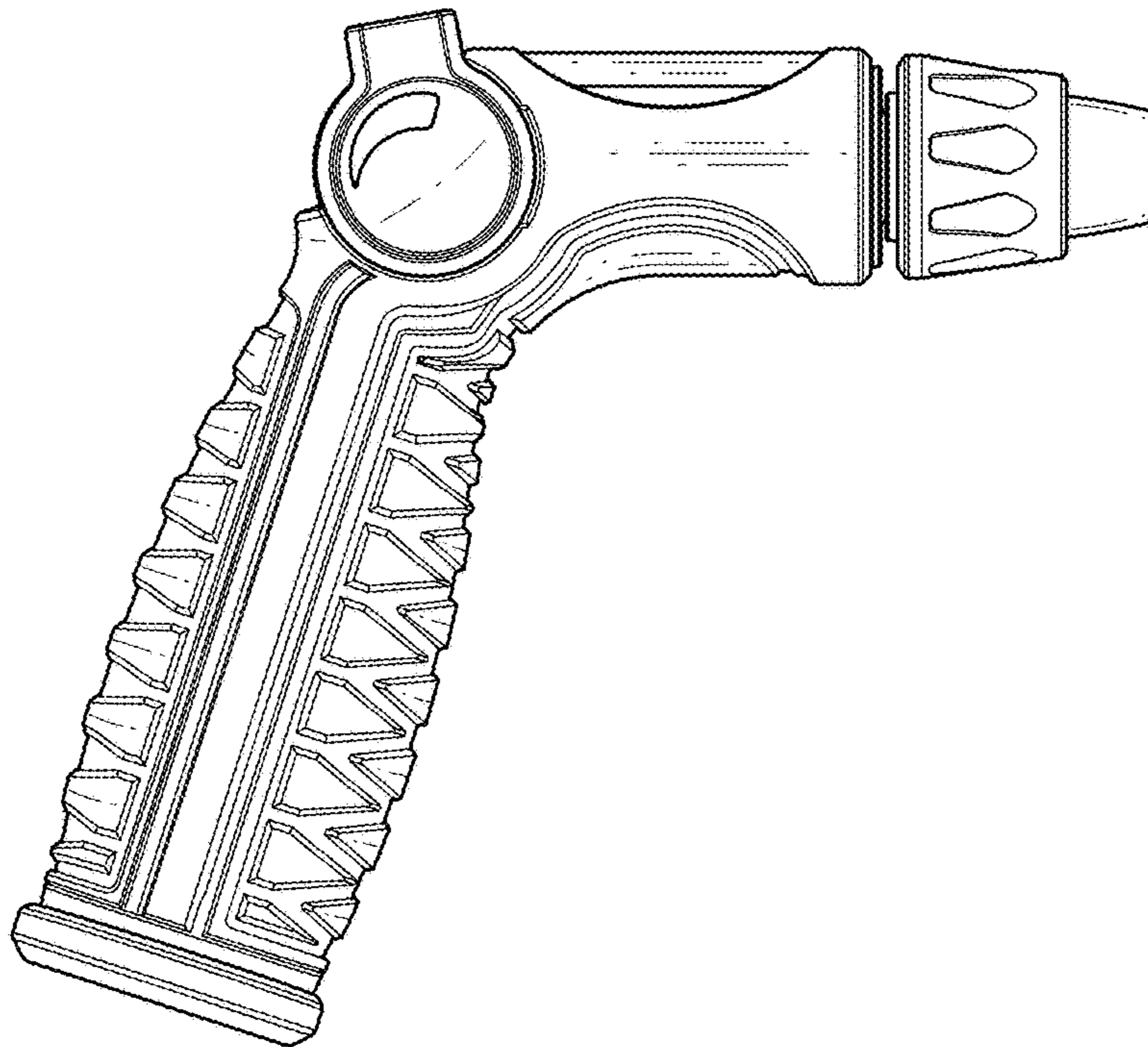


FIG. 3

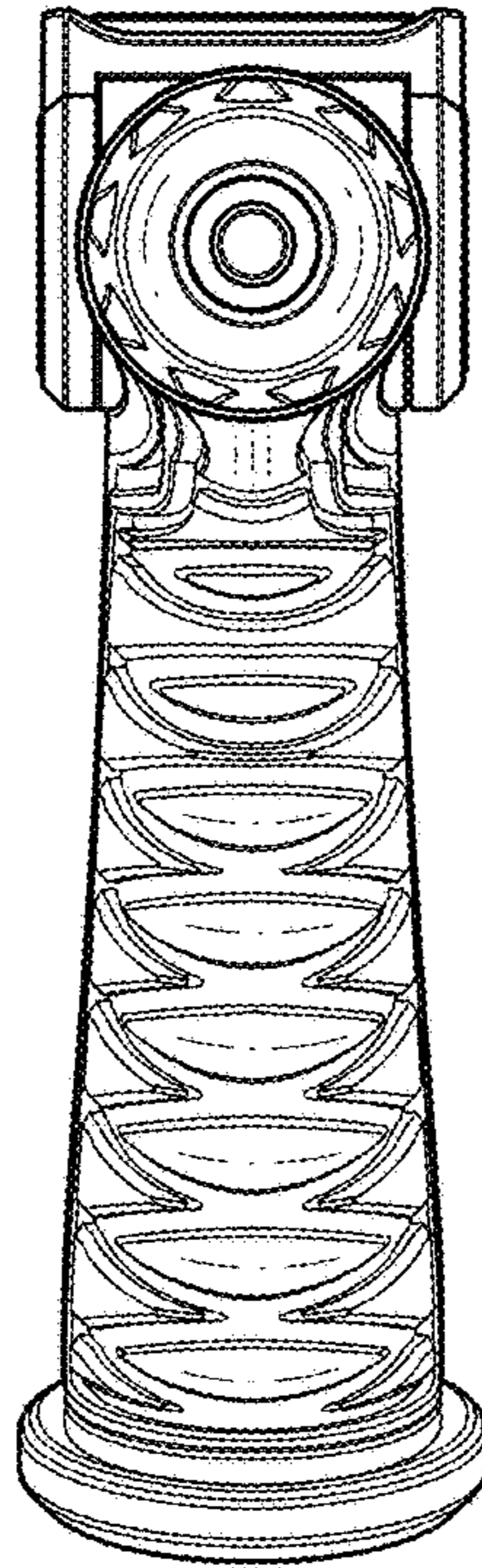


FIG. 4

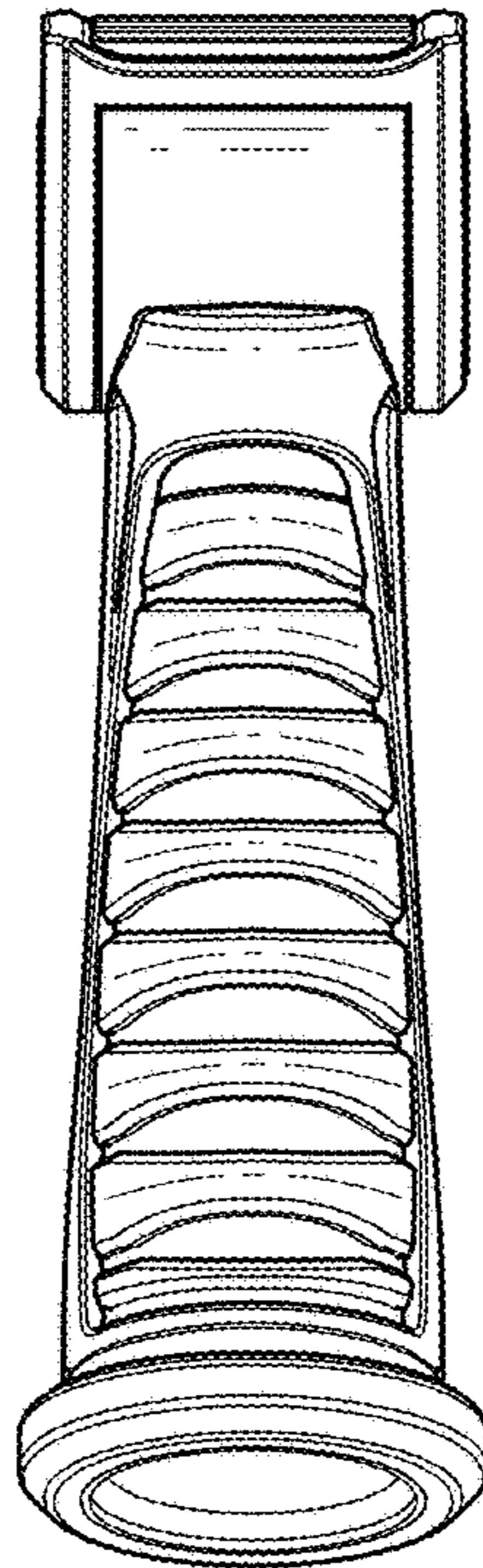


FIG. 5

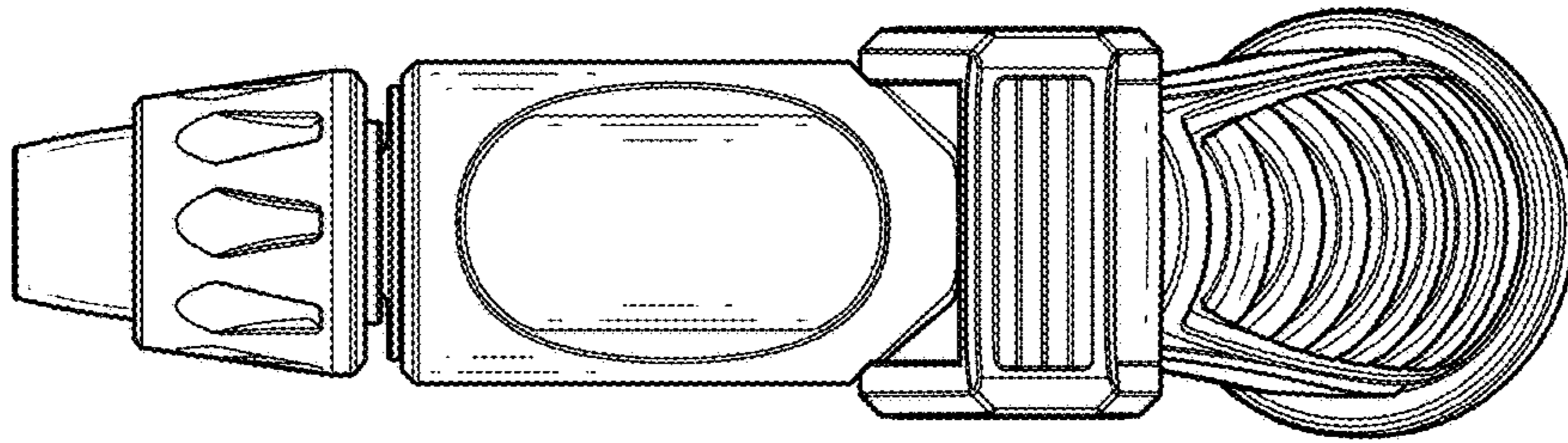


FIG. 6

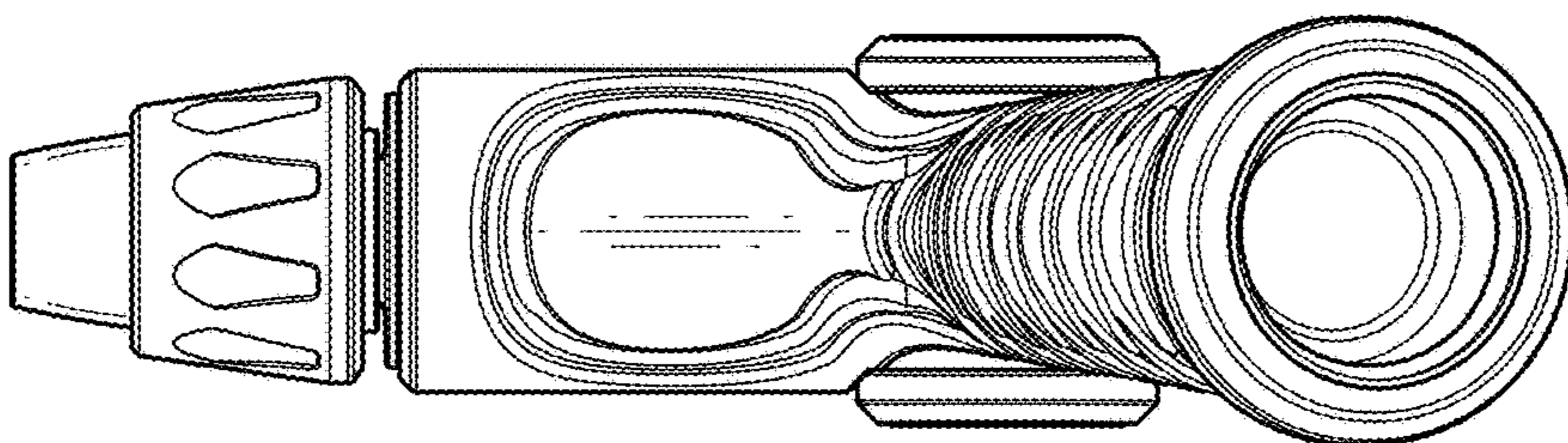


FIG. 7