



US00D820951S

(12) **United States Design Patent**  
**Vallo et al.**

(10) **Patent No.:** **US D820,951 S**  
(45) **Date of Patent:** **\*\* Jun. 19, 2018**

- (54) **SPRINKLER BASE**
- (71) Applicant: **Fiskars Oyj Abp**, Helsinki (FI)
- (72) Inventors: **Nicholas Vallo**, Madison, WI (US);  
**Andrew P. Block**, Madison, WI (US)
- (73) Assignee: **Fiskars Oyj Abp**, Helsinki (FI)
- (\*\*) Term: **15 Years**
- (21) Appl. No.: **29/597,608**
- (22) Filed: **Mar. 17, 2017**
- (51) **LOC (11) Cl.** ..... **23-01**
- (52) **U.S. Cl.**  
USPC ..... **D23/221**
- (58) **Field of Classification Search**  
USPC ..... D23/214, 217, 218, 221; 47/48.5;  
239/288, 288.5, 273, 276, 280; 248/75,  
248/87; D8/1  
CPC ..... A01G 29/00; B05B 15/062  
See application file for complete search history.

- D510,406 S \* 10/2005 Sener ..... D23/221
- D523,523 S 6/2006 Burnworth et al.
- D527,441 S 8/2006 La Mesa et al.
- 7,303,148 B2 12/2007 Campbell et al.
- 7,469,865 B2 12/2008 Mayorga
- D615,611 S \* 5/2010 Cheng ..... D23/214
- D620,551 S \* 7/2010 Mayher ..... D23/221
- D621,473 S 8/2010 Hanna
- D621,906 S 8/2010 Hanna
- D633,598 S 3/2011 Baron et al.
- D635,643 S \* 4/2011 Hanna ..... D23/221
- 8,672,236 B2 3/2014 Gal et al.
- D750,743 S \* 3/2016 Holmes ..... D23/214
- 9,339,828 B1 5/2016 Wang
- 9,439,365 B2 9/2016 Lo
- D774,625 S 12/2016 Boughton et al.

\* cited by examiner

*Primary Examiner* — Robin V Webster

(74) *Attorney, Agent, or Firm* — Foley & Lardner LLP

(57) **CLAIM**

The ornamental design for a sprinkler base, as shown and described.

**DESCRIPTION**

FIG. 1 is a top perspective view of an embodiment of the claimed design;

FIG. 2 is a front view thereof;

FIG. 3 is a rear view thereof;

FIG. 4 is a left side view thereof;

FIG. 5 is a right side view thereof;

FIG. 6 is a top view thereof; and,

FIG. 7 is a bottom view thereof.

Any portion of the article depicted in broken lines forms no part of the claimed design.

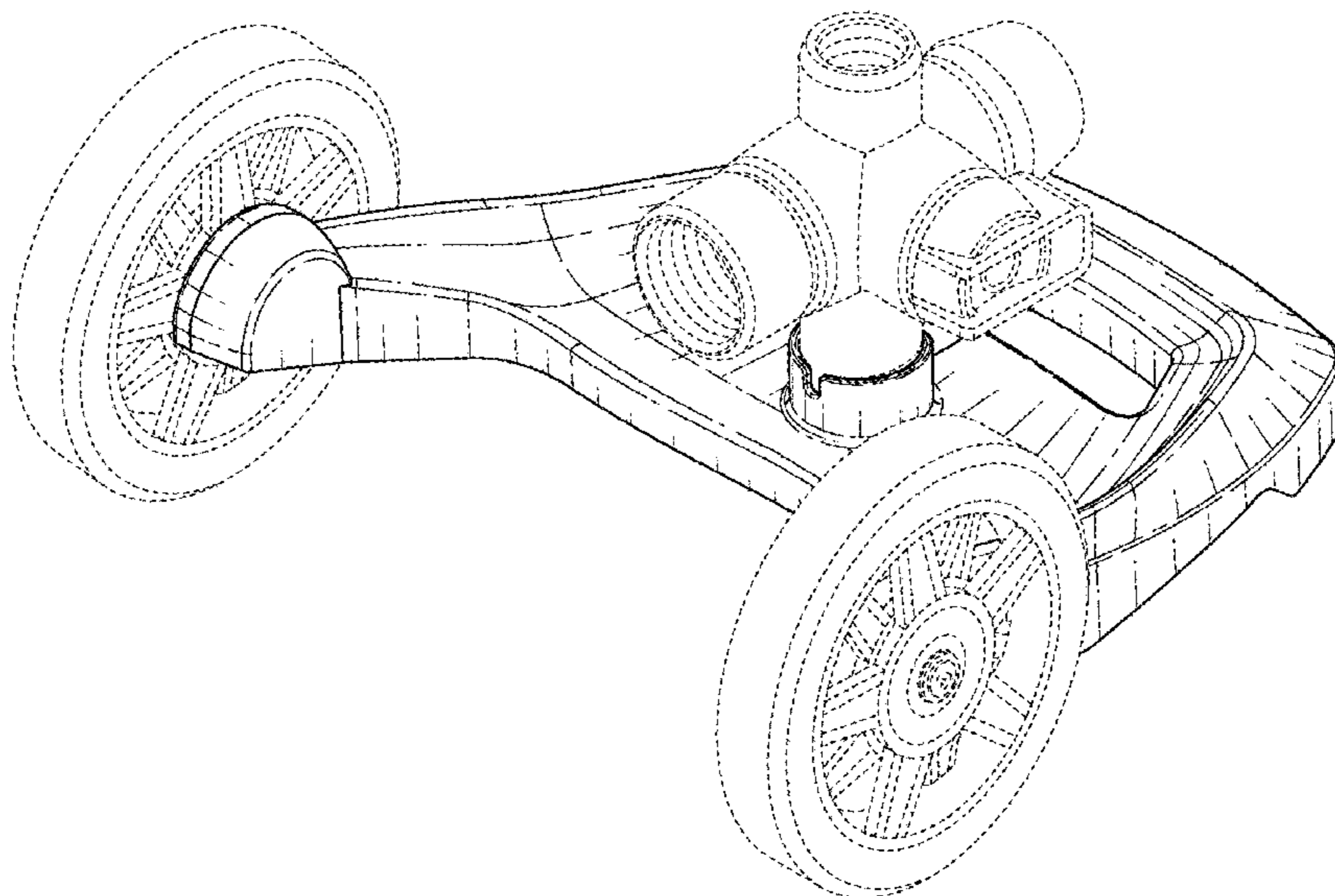
Broken lines formed by equal length dashes show unclaimed subject matter.

(56) **References Cited**

U.S. PATENT DOCUMENTS

- D142,401 S \* 9/1945 Goggins ..... D23/221
- D191,158 S 8/1961 Beinert
- 3,385,525 A 5/1968 Jacobs Aw
- 3,625,429 A 12/1971 Turrell
- 4,173,306 A 11/1979 Ridgway
- D263,868 S \* 4/1982 Chow ..... D23/221
- D276,174 S 10/1984 Chow et al.
- D287,267 S 12/1986 Premo et al.
- D310,477 S 9/1990 Fleecs Gregory E
- 5,020,722 A 6/1991 Wardell
- D412,556 S \* 8/1999 Hsin-Fa ..... D23/214
- D437,389 S \* 2/2001 Hsin-Fa ..... D23/221
- 6,758,410 B2 7/2004 Kuo
- D497,973 S 11/2004 Schapper Aaron

**1 Claim, 5 Drawing Sheets**



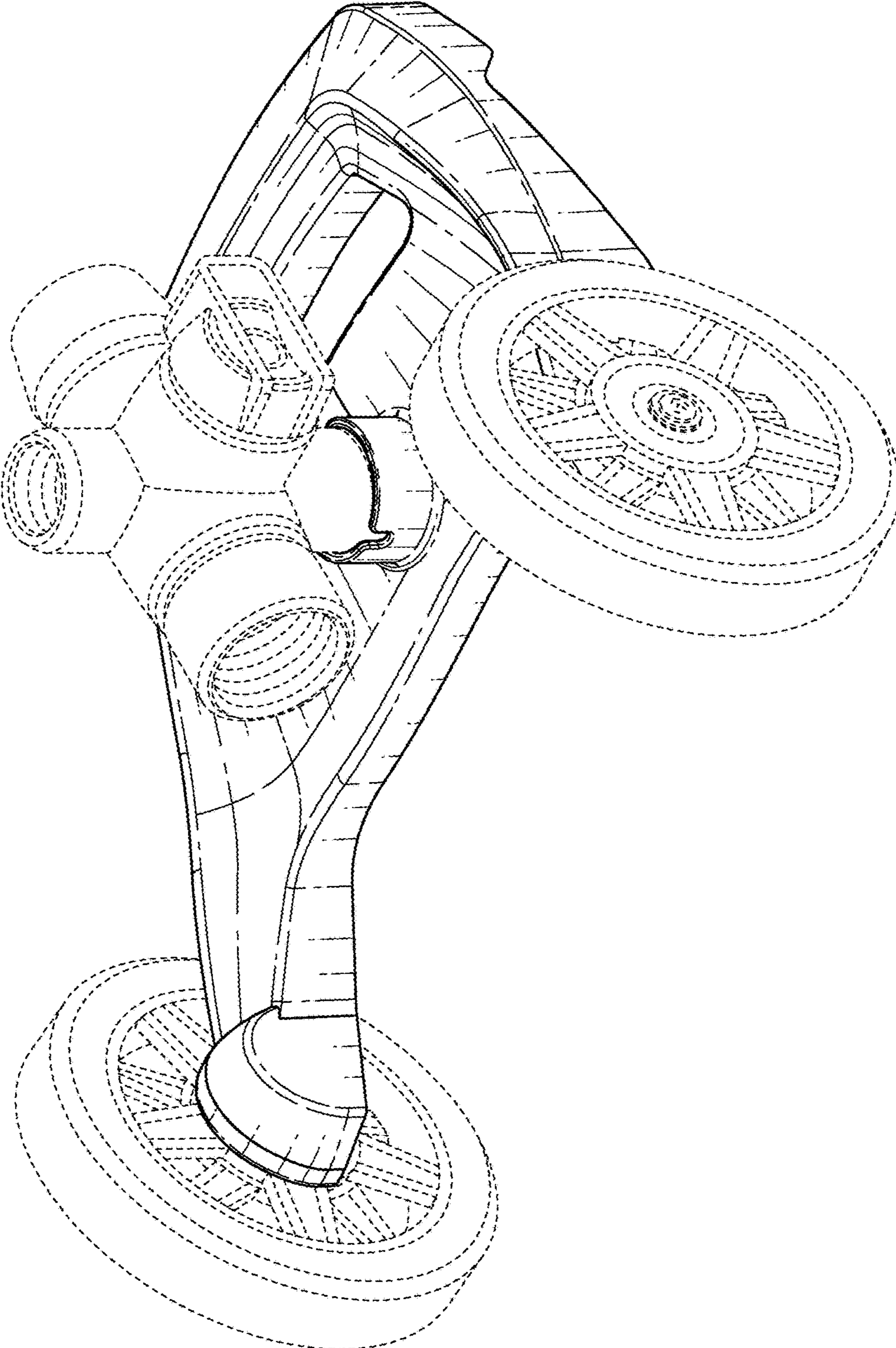


FIG. 1

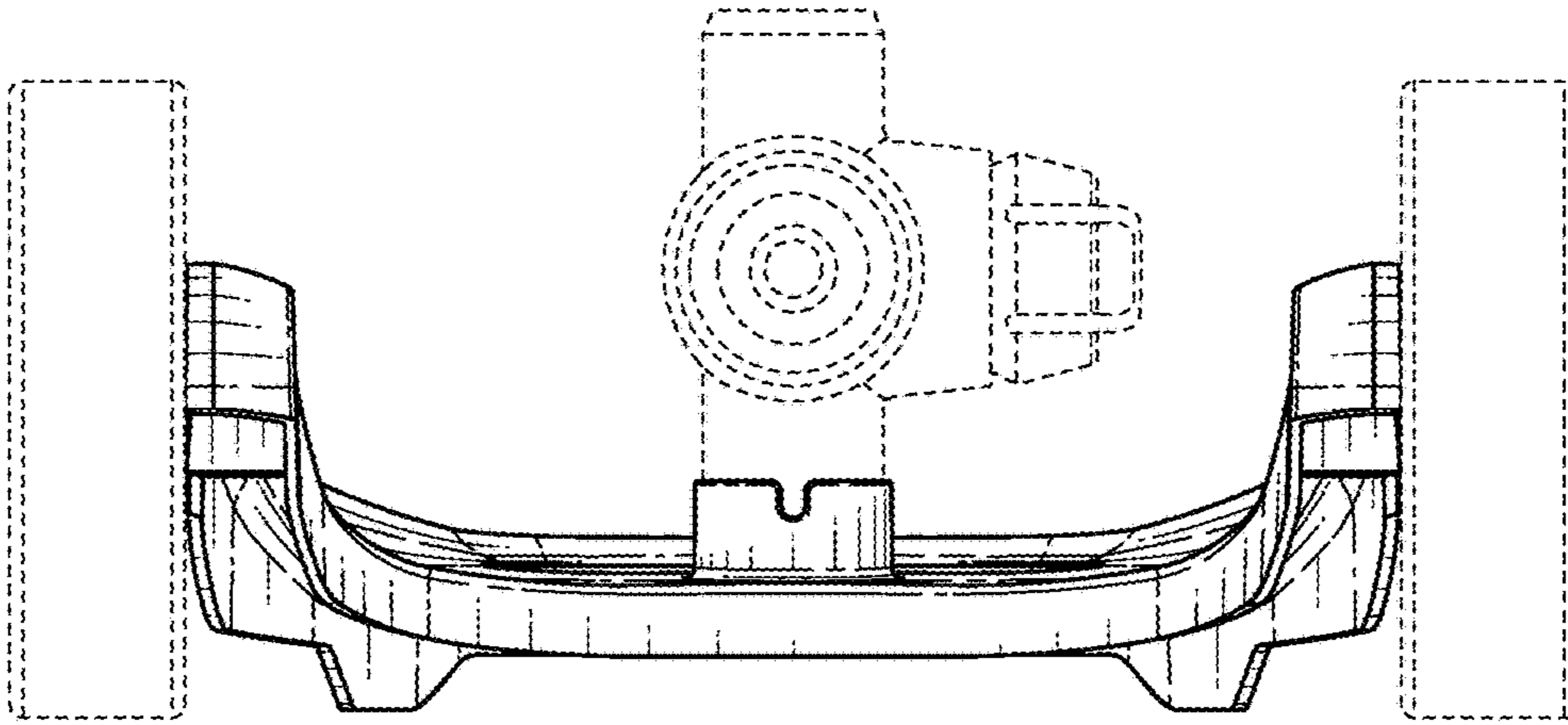


FIG. 2

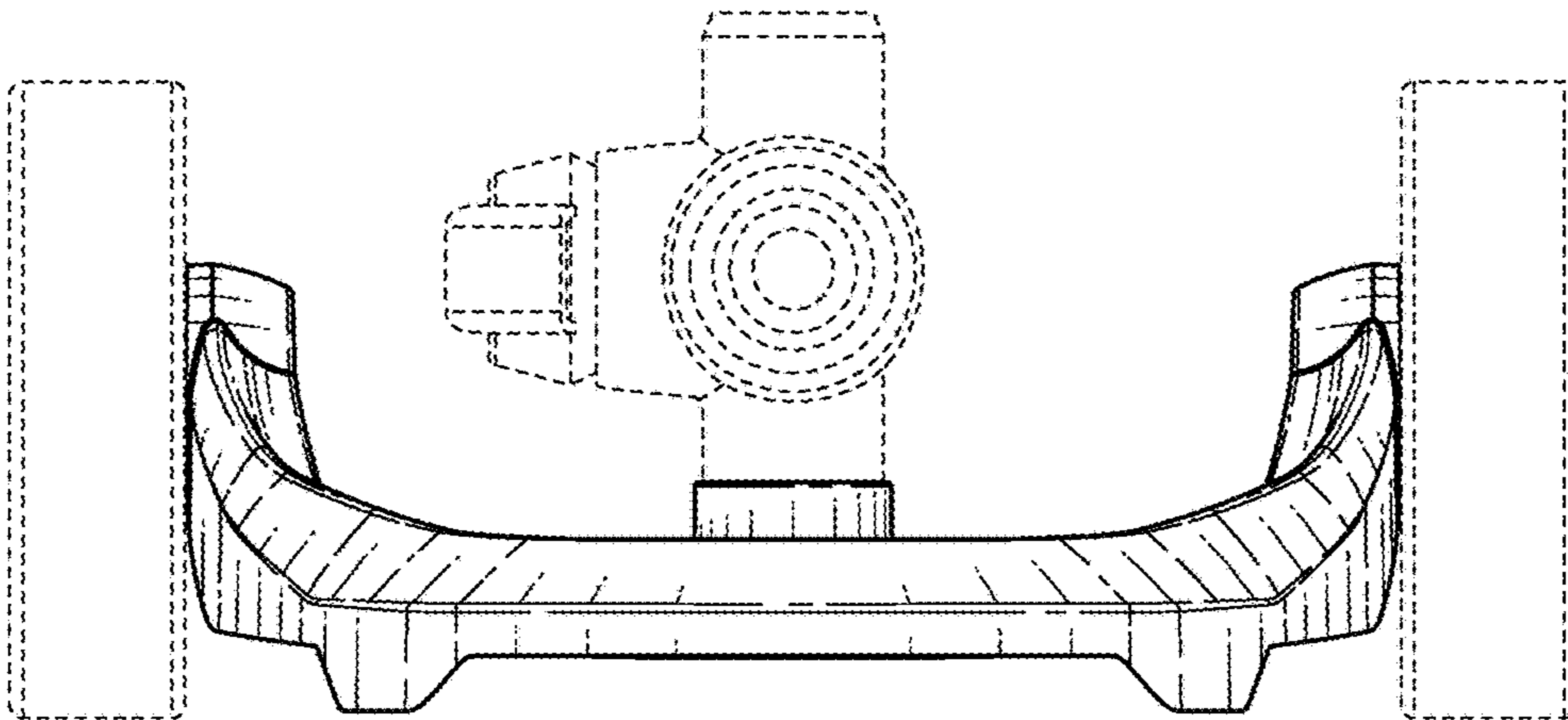


FIG. 3

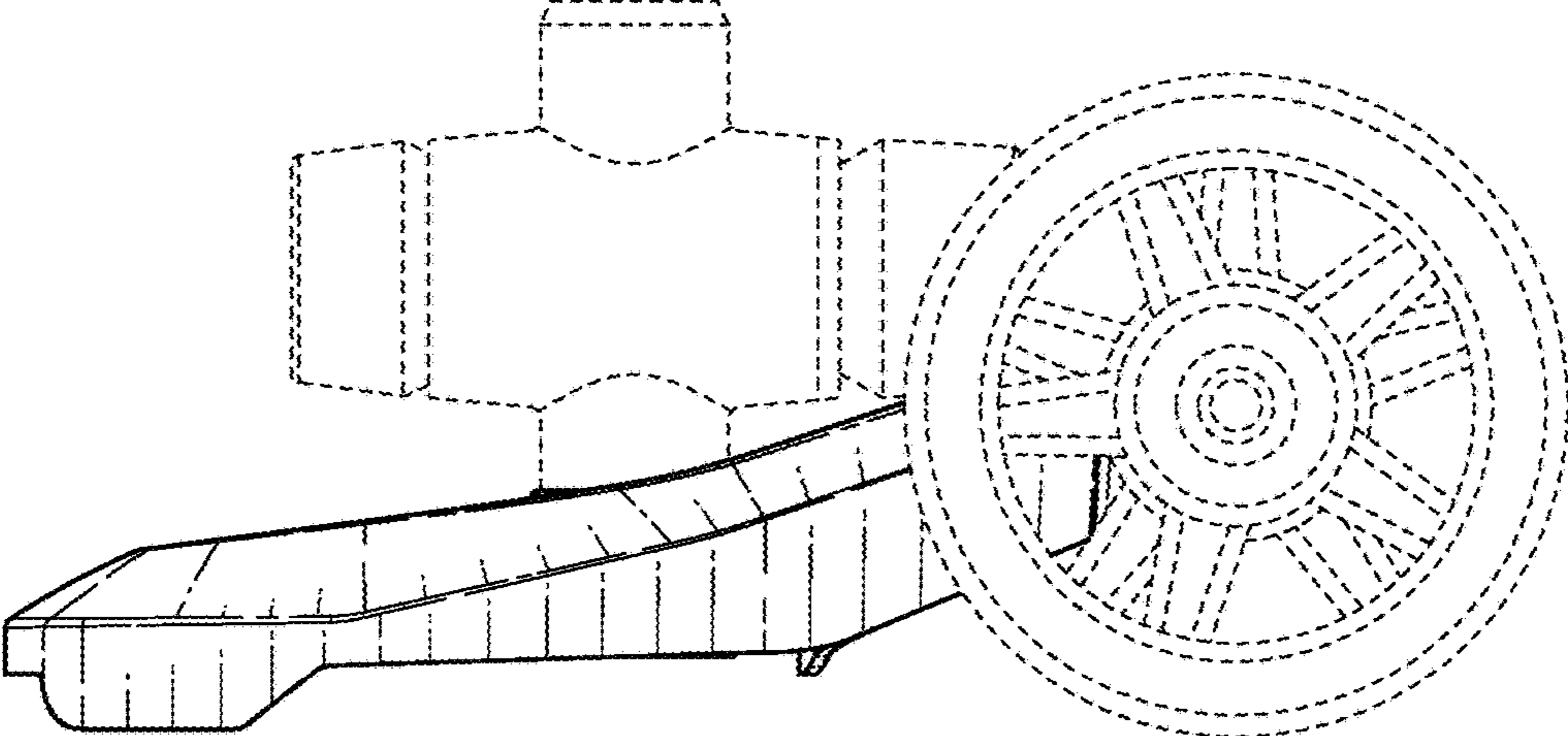


FIG. 4

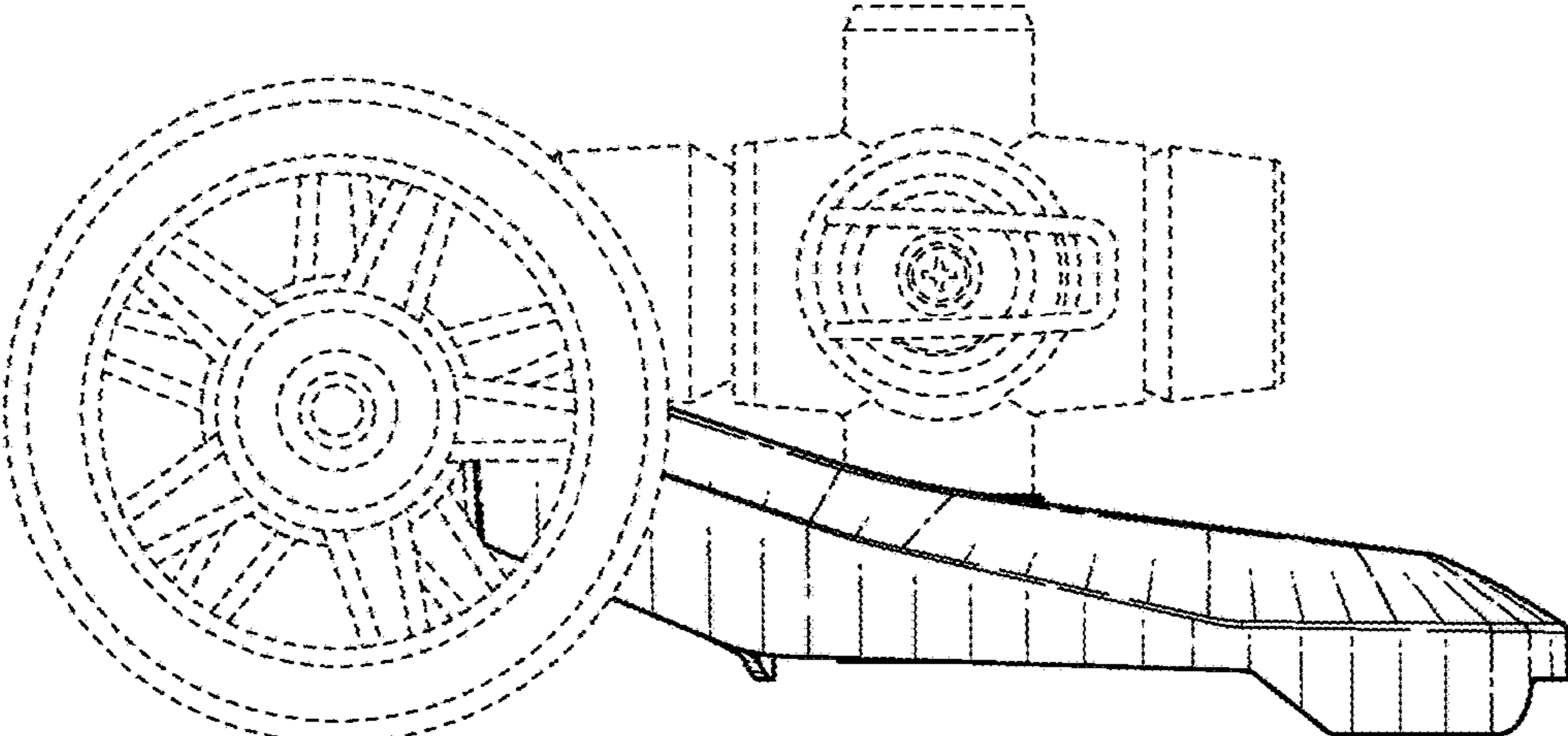


FIG. 5

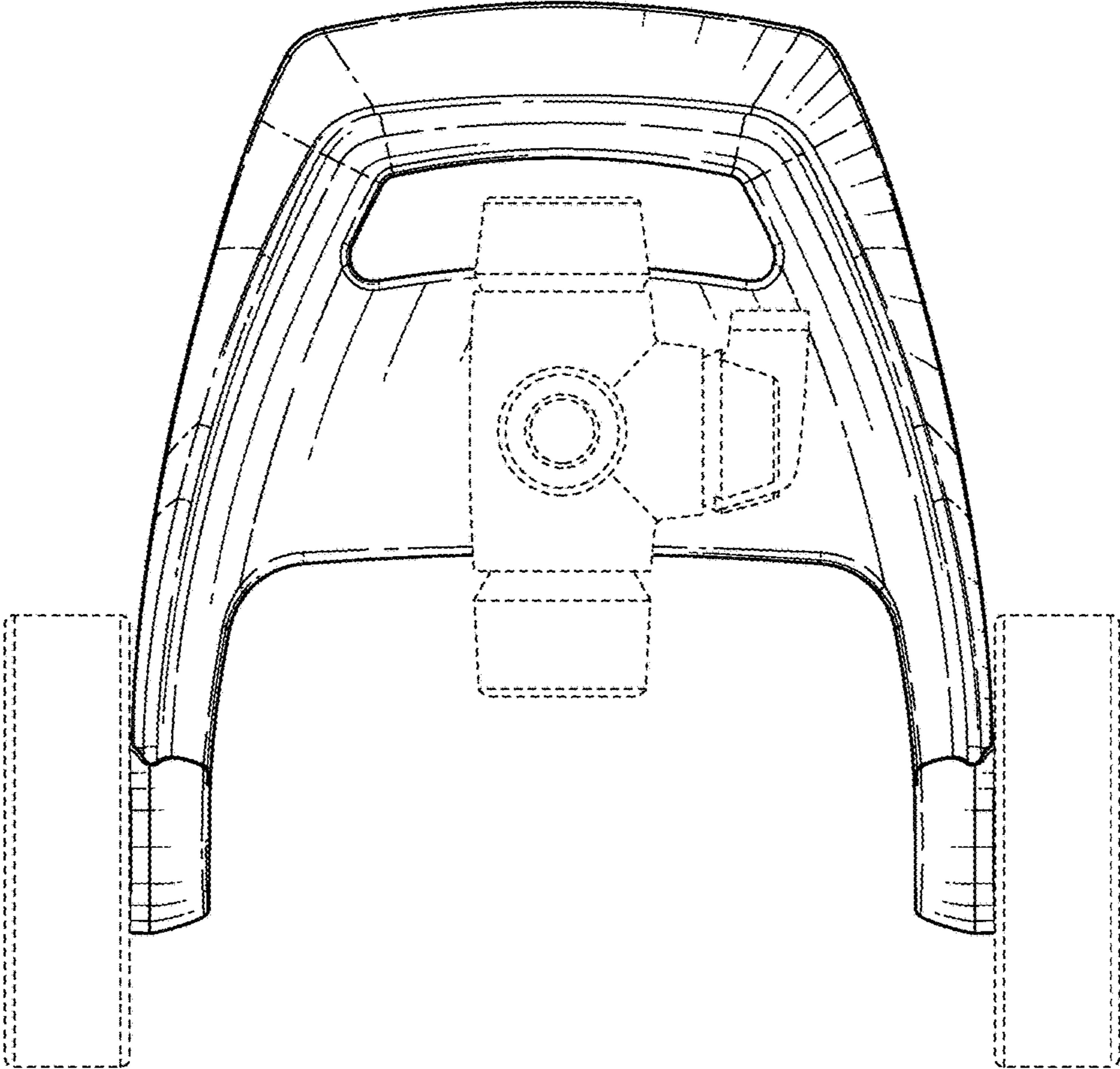


FIG. 6

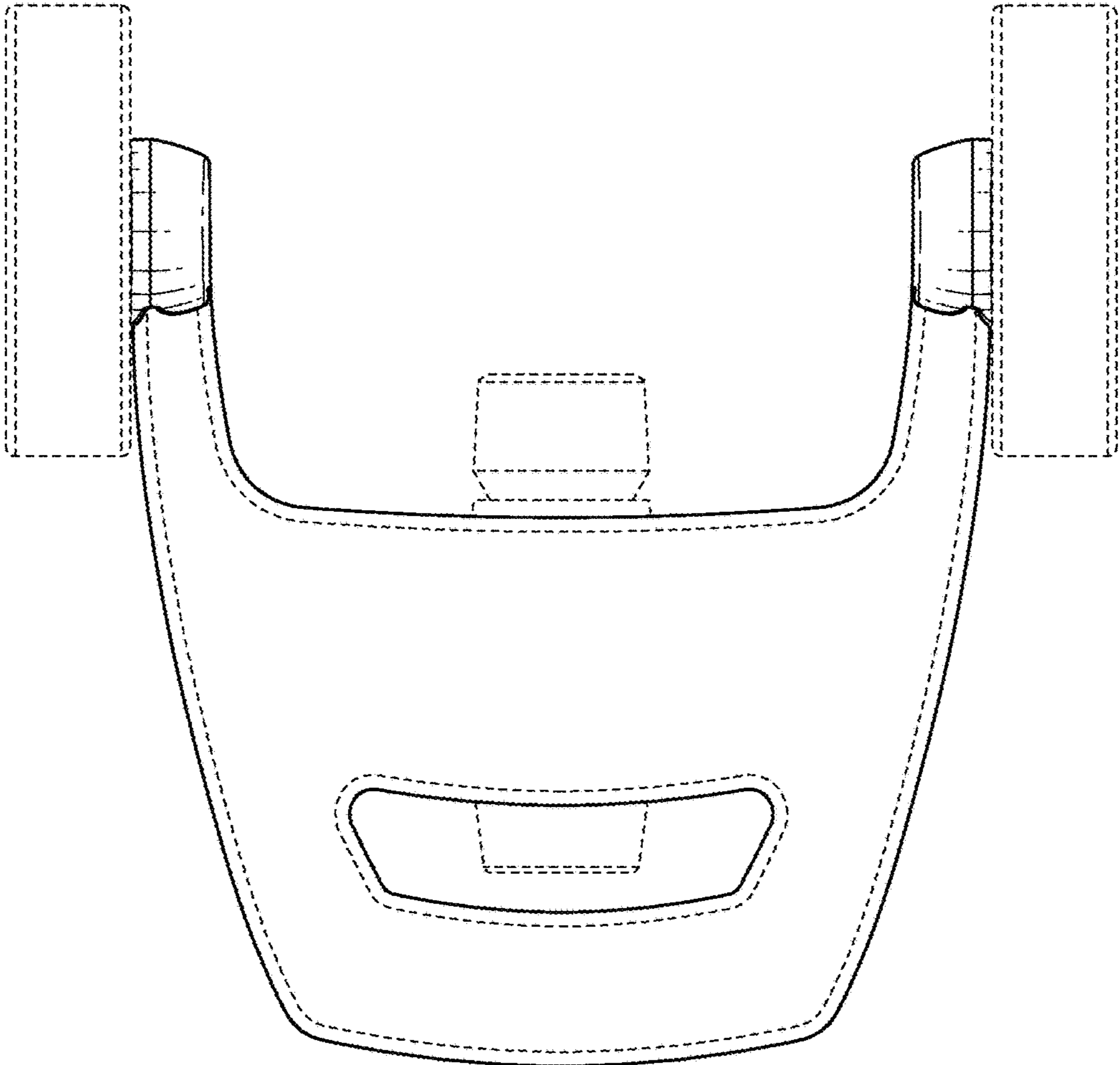


FIG. 7