



US00D820950S

(12) **United States Design Patent**
Vallo et al.

(10) **Patent No.:** **US D820,950 S**
(45) **Date of Patent:** **** Jun. 19, 2018**

(54) **SPRINKLER BASE**

(71) Applicant: **Fiskars Oyj Abp**, Helsinki (FI)

(72) Inventors: **Nicholas Vallo**, Madison, WI (US);
Andrew P. Block, Madison, WI (US)

(73) Assignee: **Fiskars Oyj Abp**, Helsinki (FI)

(**) Term: **15 Years**

(21) Appl. No.: **29/597,607**

(22) Filed: **Mar. 17, 2017**

(51) **LOC (11) Cl.** **23-01**

(52) **U.S. Cl.**
USPC **D23/221**

(58) **Field of Classification Search**
USPC D23/214, 217, 218, 221; 47/48.5;
239/288, 288.5, 273, 276, 280; 248/75,
248/87; D8/1
CPC A01G 29/00; B05B 15/062
See application file for complete search history.

D497,973 S 11/2004 Schapper Aaron
D510,406 S * 10/2005 Sener D23/221
D523,523 S 6/2006 Burnworth et al.
D527,441 S 8/2006 La Mesa et al.
7,303,148 B2 12/2007 Campbell et al.
7,469,865 B2 12/2008 Mayorga
D615,611 S * 5/2010 Cheng D23/214
D620,551 S * 7/2010 Mayher D23/221
D621,473 S 8/2010 Hanna
D621,906 S 8/2010 Hanna
D633,598 S 3/2011 Baron et al.
D635,643 S * 4/2011 Hanna D23/221
8,672,236 B2 3/2014 Gal et al.
D750,743 S * 3/2016 Holmes D23/214
9,339,828 B1 5/2016 Wang
9,439,365 B2 9/2016 Lo
D774,625 S 12/2016 Boughton et al.

* cited by examiner

Primary Examiner — Robin V Webster
(74) *Attorney, Agent, or Firm* — Foley & Lardner LLP

(57) **CLAIM**

We claim the ornamental design for a sprinkler base, as shown and described.

DESCRIPTION

FIG. 1 is a top perspective view of an embodiment of the claimed design;

FIG. 2 is a front view thereof

FIG. 3 is a rear view thereof;

FIG. 4 is a left side view thereof;

FIG. 5 is a right side view thereof;

FIG. 6 is a top view thereof; and,

FIG. 7 is a bottom view thereof.

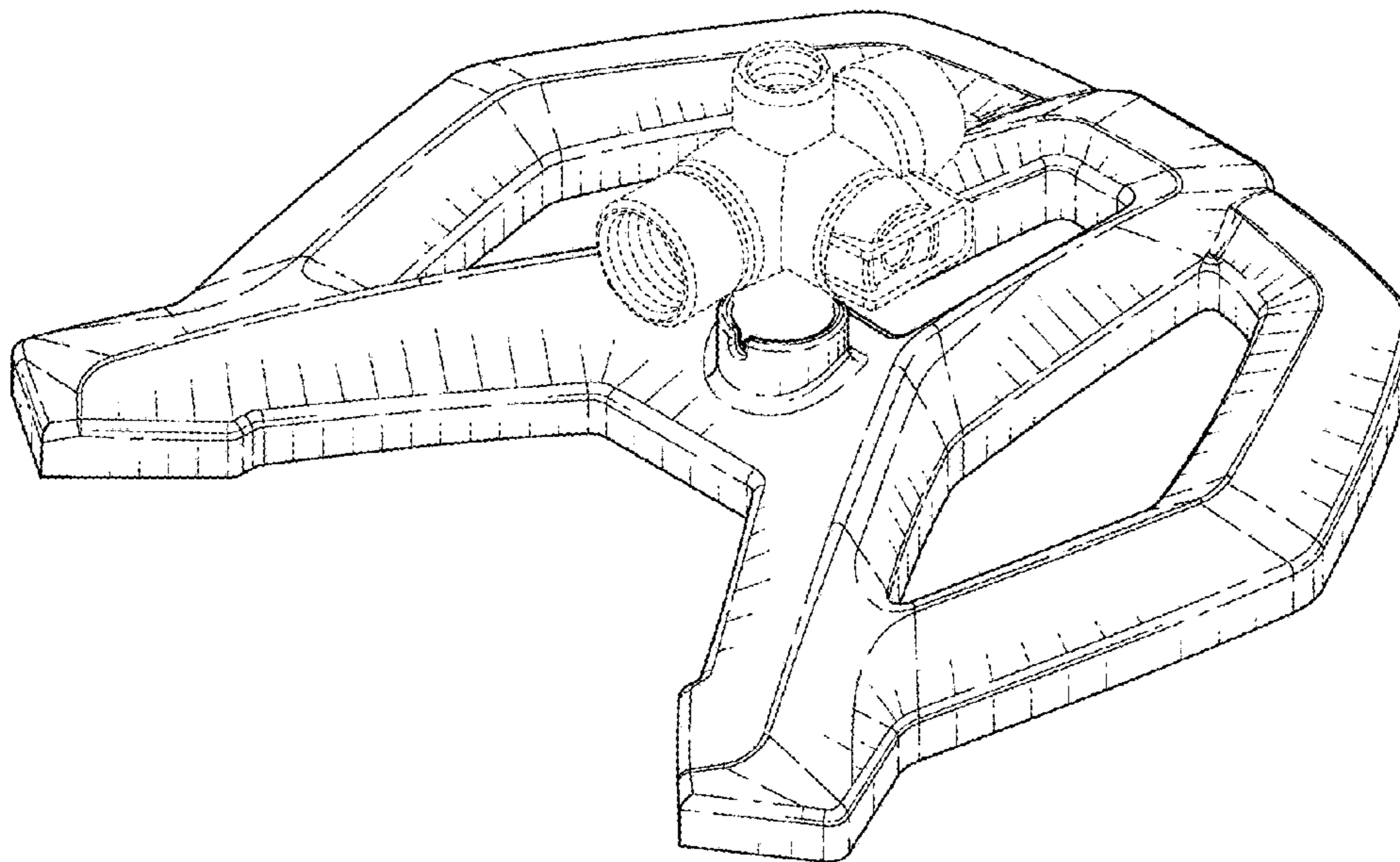
Any portion of the article depicted in broken lines forms no part of the claimed design. Broken lines formed by equal length dashes show unclaimed subject matter.

1 Claim, 4 Drawing Sheets

(56) **References Cited**

U.S. PATENT DOCUMENTS

D142,401 S * 9/1945 Goggins D23/221
D191,158 S 8/1961 Beinert
3,385,525 A 5/1968 Jacobs Aw
3,625,429 A 12/1971 Turrell
4,173,306 A 11/1979 Ridgway
D263,868 S * 4/1982 Chow D23/221
D276,174 S 10/1984 Chow et al.
D287,267 S 12/1986 Premo et al.
D310,477 S 9/1990 Fleecs Gregory E
5,020,722 A 6/1991 Wardell
D412,556 S * 8/1999 Hsin-Fa D23/214
D437,389 S * 2/2001 Hsin-Fa D23/221
6,758,410 B2 7/2004 Kuo



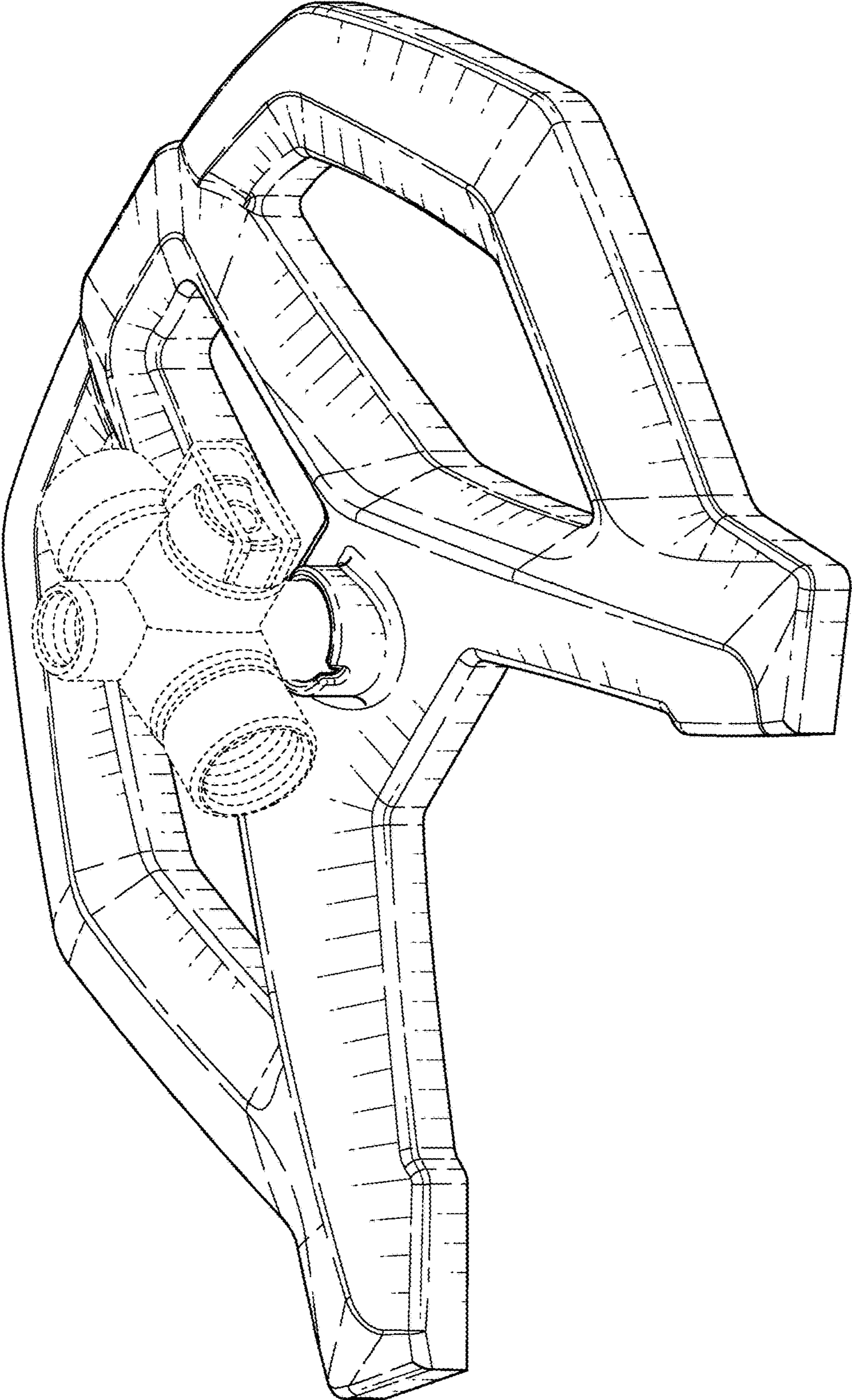


FIG. 1

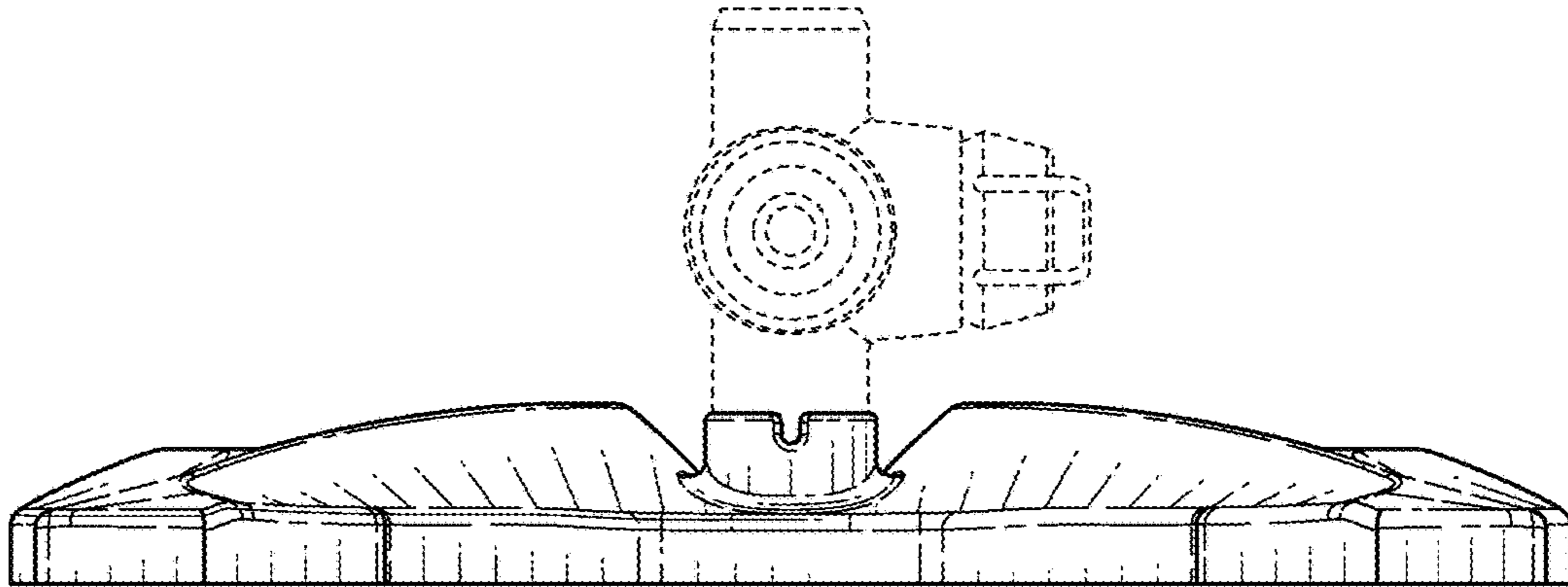


FIG. 2

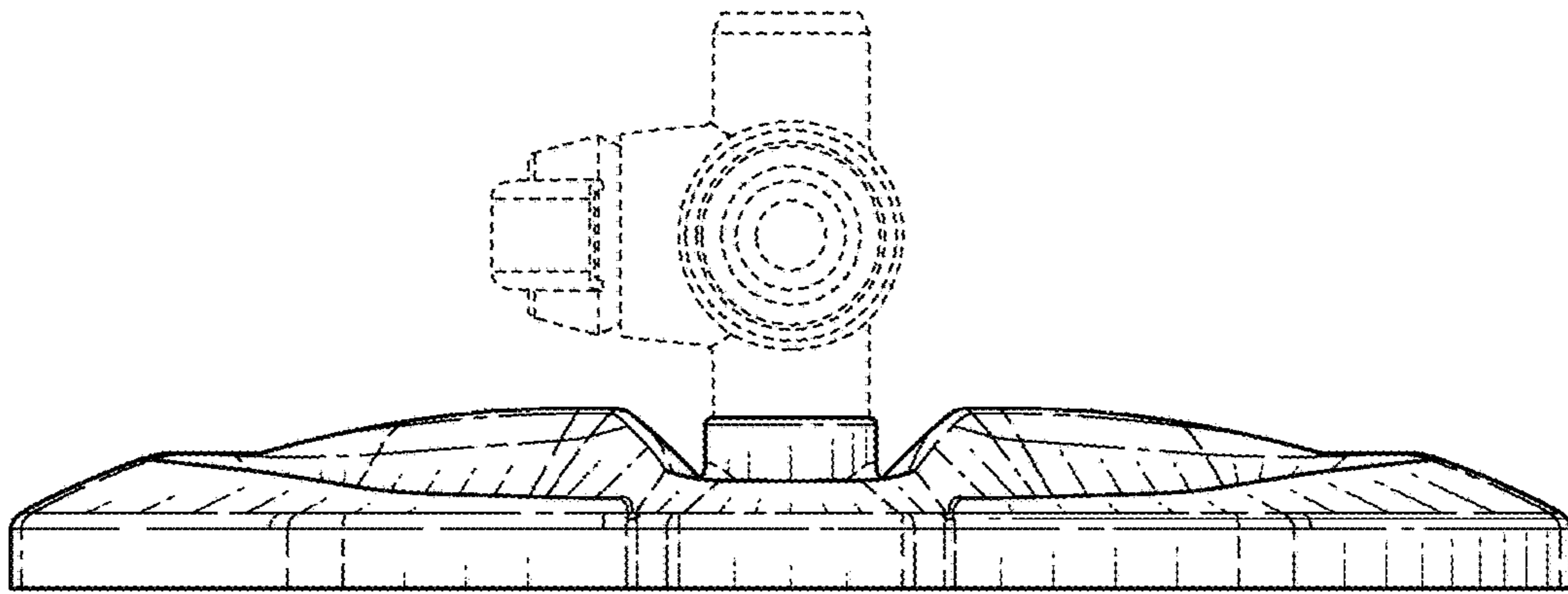


FIG. 3

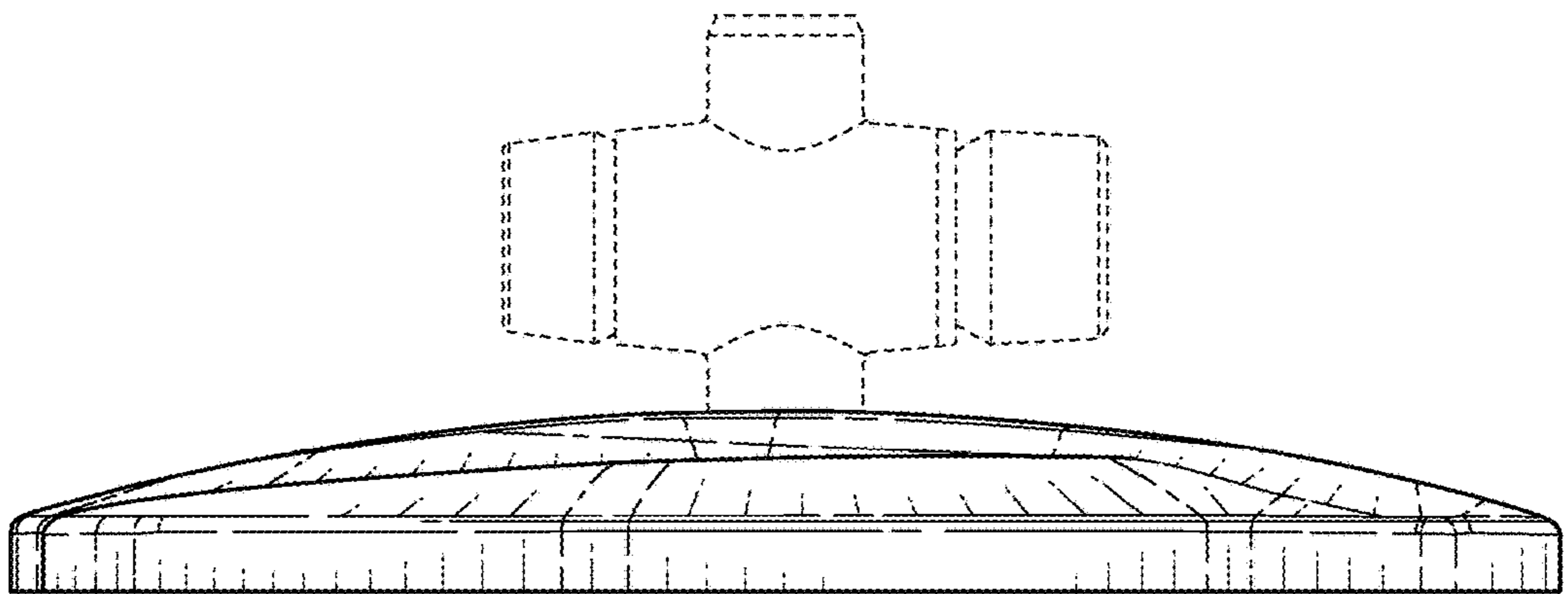


FIG. 4

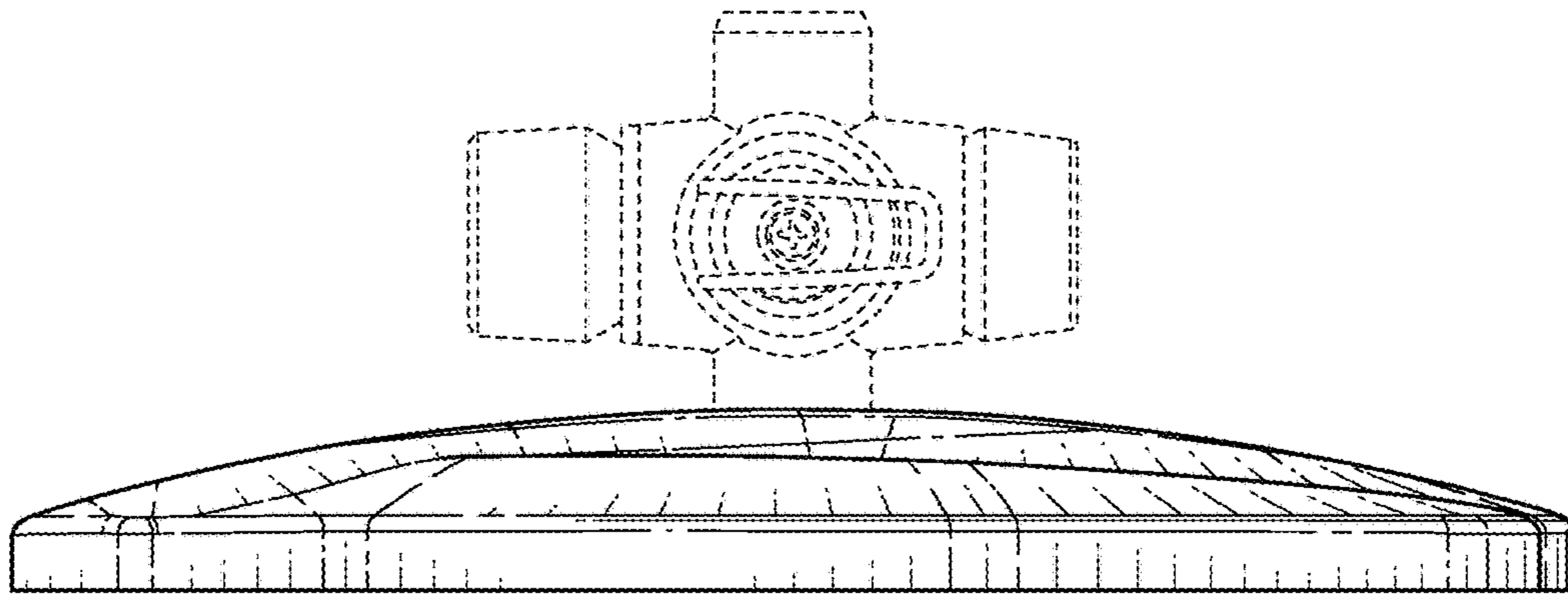


FIG. 5

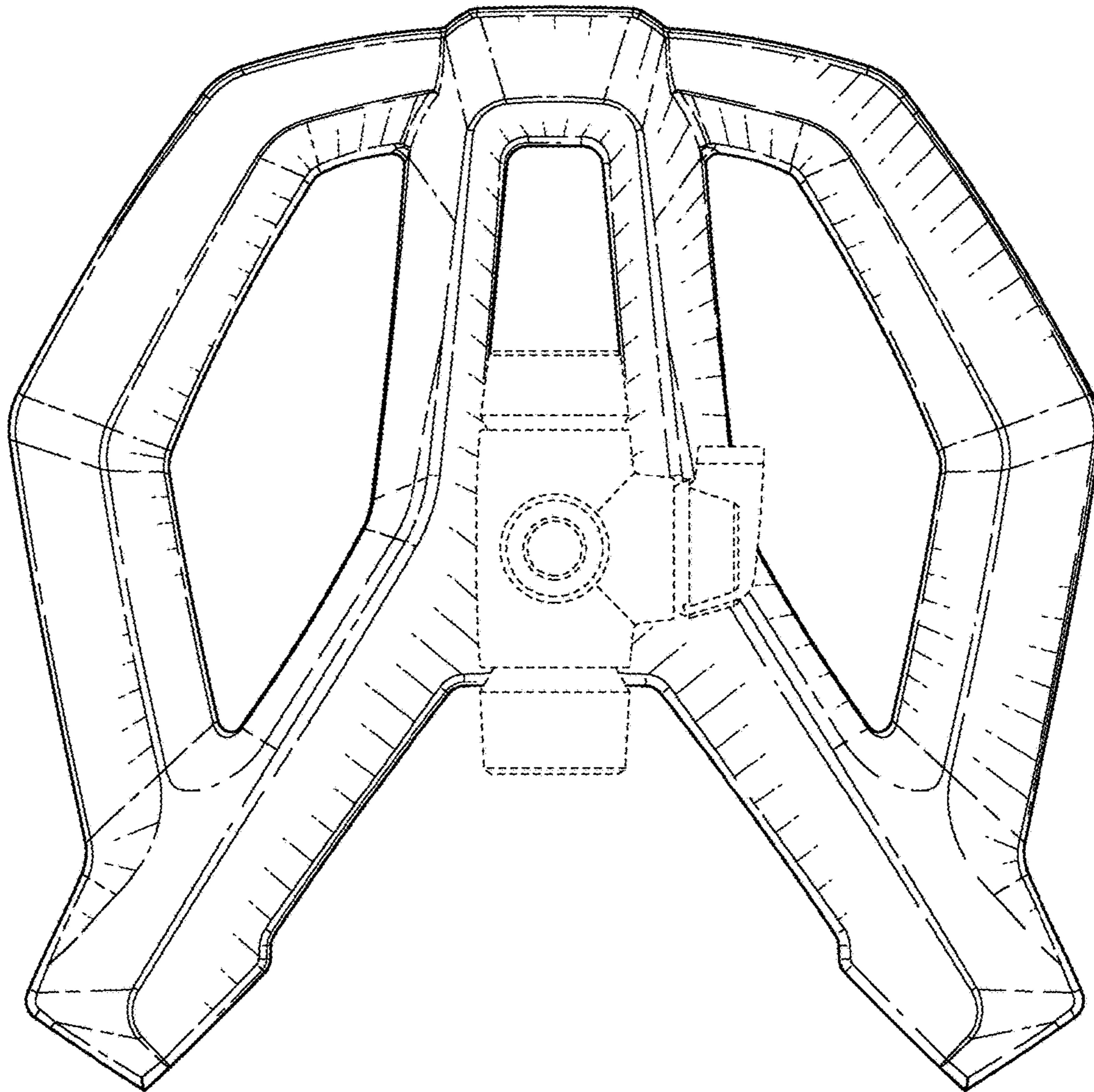


FIG. 6

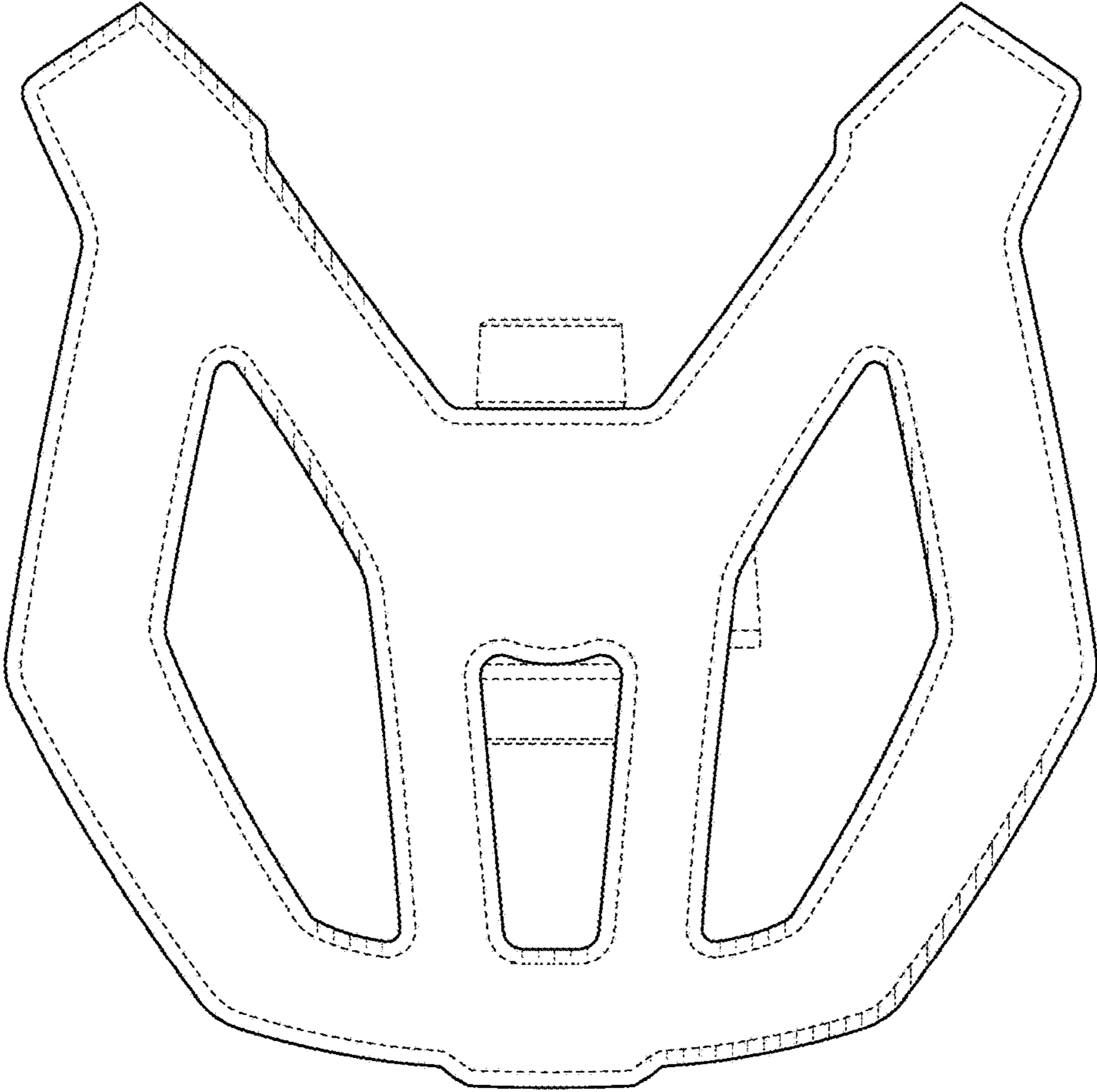


FIG. 7