



US00D820949S

(12) **United States Design Patent** (10) **Patent No.:** **US D820,949 S**  
**Reinecker et al.** (45) **Date of Patent:** **\*\* Jun. 19, 2018**

(54) **SHOWERHEAD**

OTHER PUBLICATIONS

- (71) Applicant: **AS IP Holdco, LLC**, Piscataway, NJ (US)
- (72) Inventors: **Greg Reinecker**, Brooklyn, NY (US); **Gabriela Ravassa**, Brooklyn, NY (US); **Brian Kalember**, Indianapolis, IN (US); **Emilie Williams**, South Plainfield, NJ (US); **Jean-Jacques L’Henaff**, New Canaan, CT (US)
- (73) Assignee: **AS IP Holdco, LLC**, Piscataway, NJ (US)

Examiner’s Report dated Jan. 9, 2018, directed to CA Application No. 175817; 1 page.  
 Decision to Grant a Design and Notice dated Apr. 6, 2018, directed to JP Application No. 2017-014861; 6 pages.  
 Amazon. (Feb. 2009) “Alsons 6465CPK Two in One Shower, Chrome” located at <http://www.amazon.com/gp/product/images/B001H9NWVM/ref=dp\_image\_0?le=UTF8&n=228013&s=hi> (2 pages).  
 K+BB. (Jun. 2007). “What’s Cool Everywhere Else,” *Kitchen & Bath Business*6(54):70.

(\*\*) Term: **15 Years**

\* cited by examiner

(21) Appl. No.: **29/590,257**

*Primary Examiner* — Robin V Webster  
 (74) *Attorney, Agent, or Firm* — Morrison & Foerster LLP

(22) Filed: **Jan. 9, 2017**

(51) **LOC (11) Cl.** ..... **23-01**

(57) **CLAIM**

(52) **U.S. Cl.**

The ornamental design for a showerhead, as shown and described.

USPC ..... **D23/213**

(58) **Field of Classification Search**

**DESCRIPTION**

USPC ..... D23/213, 223, 229, 230, 228; D24/200, D24/215; 239/381

CPC .... E03C 1/06; B05B 1/00; B05B 5/00; B05B 1/005; B05B 13/005

See application file for complete search history.

FIG. 1 is a perspective view of a showerhead showing the new design;  
 FIG. 2 is a front devotional view thereof;  
 FIG. 3 is a rear elevational view thereof;  
 FIG. 4 is a right side elevational view thereof;  
 FIG. 5 is a left side elevational view thereof;  
 FIG. 6 is a top plan view thereof;  
 FIG. 7 is a bottom plan view thereof;  
 FIG. 8 is a further perspective view thereof; and,  
 FIG. 9 is a further rear elevational view thereof.  
 The features shown in broken lines form no part of the claimed design.

(56) **References Cited**

U.S. PATENT DOCUMENTS

D509,561 S	9/2005	Kobi et al.	
D559,945 S *	1/2008	Patterson	D23/213
D621,905 S *	8/2010	Yoo	D23/213
D674,039 S *	1/2013	Chibitty	D23/213
D674,041 S *	1/2013	Hanus	D23/213
D674,042 S *	1/2013	Hanus	D23/213
8,720,799 B2 *	5/2014	Tseng	E03C 1/06 239/282

**1 Claim, 7 Drawing Sheets**

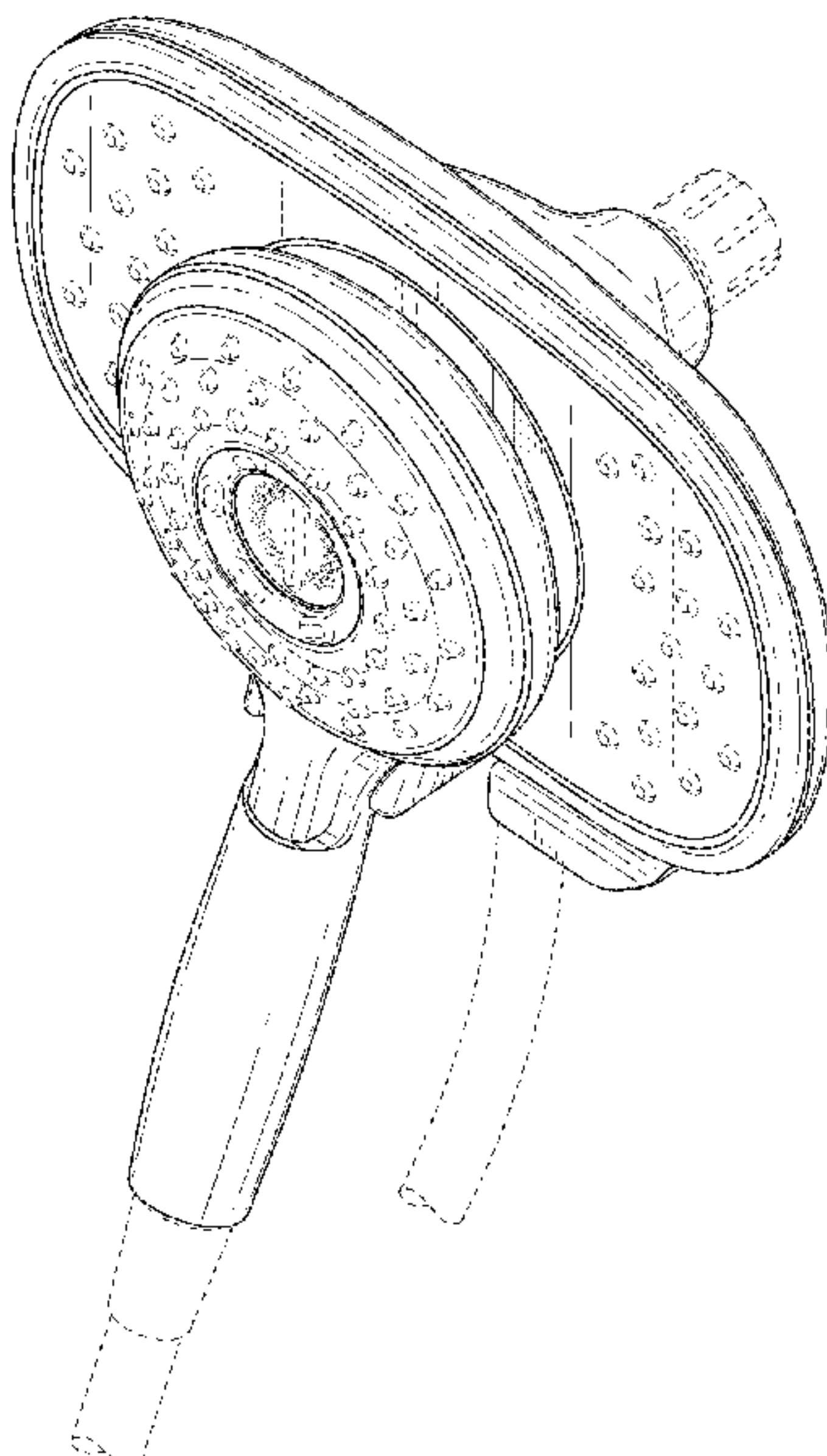


FIG. 1

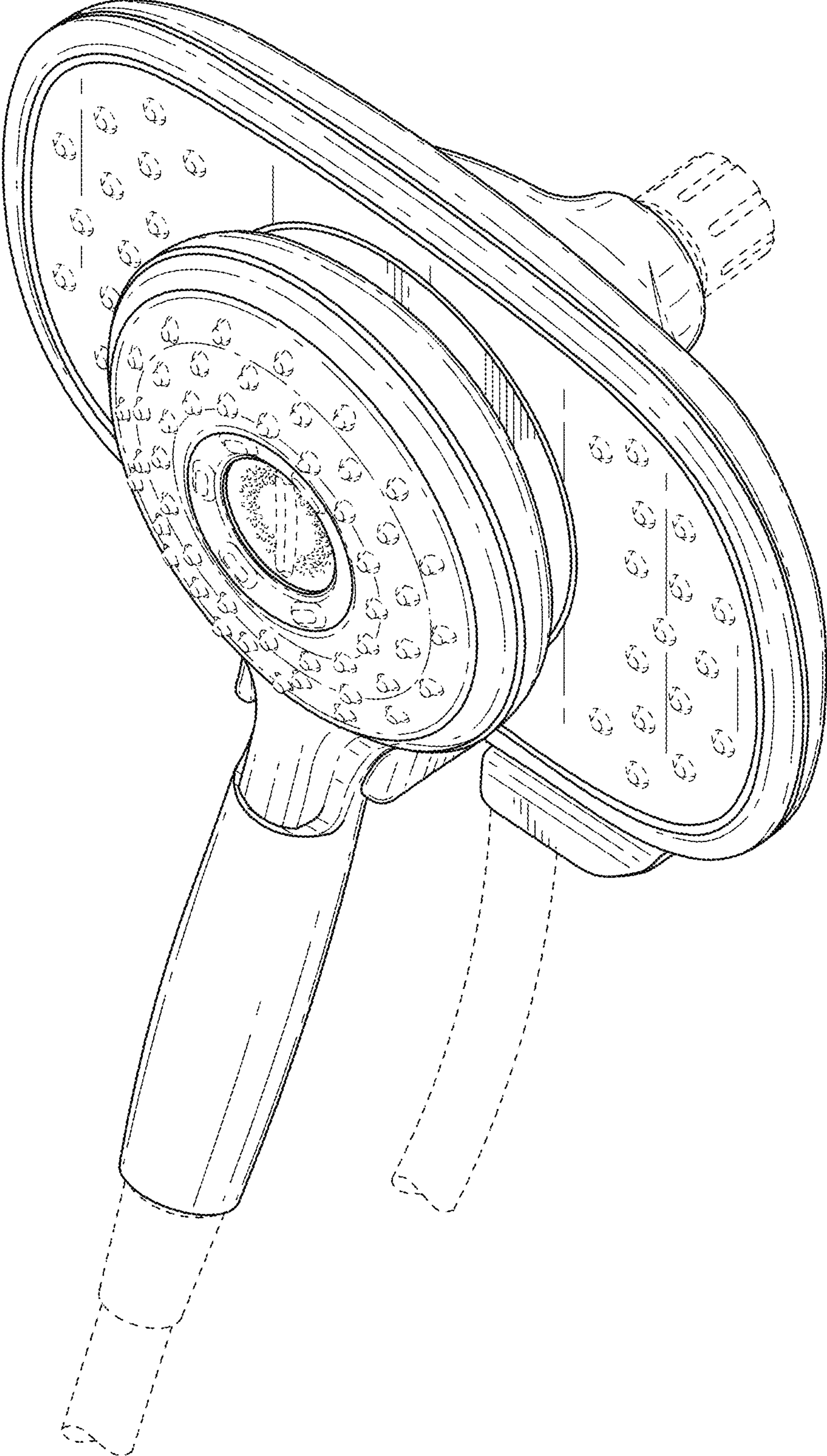


FIG. 2

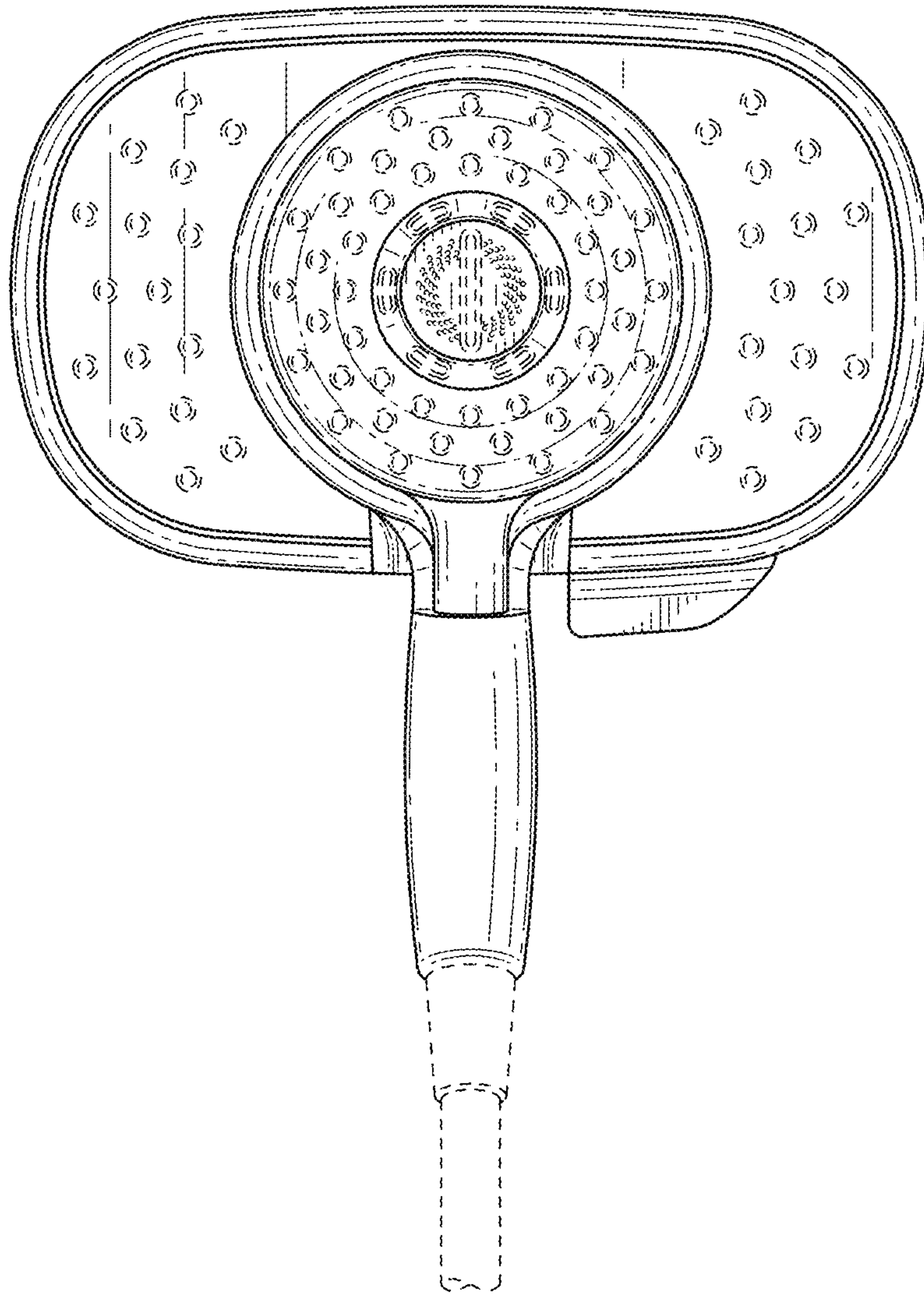




FIG. 3

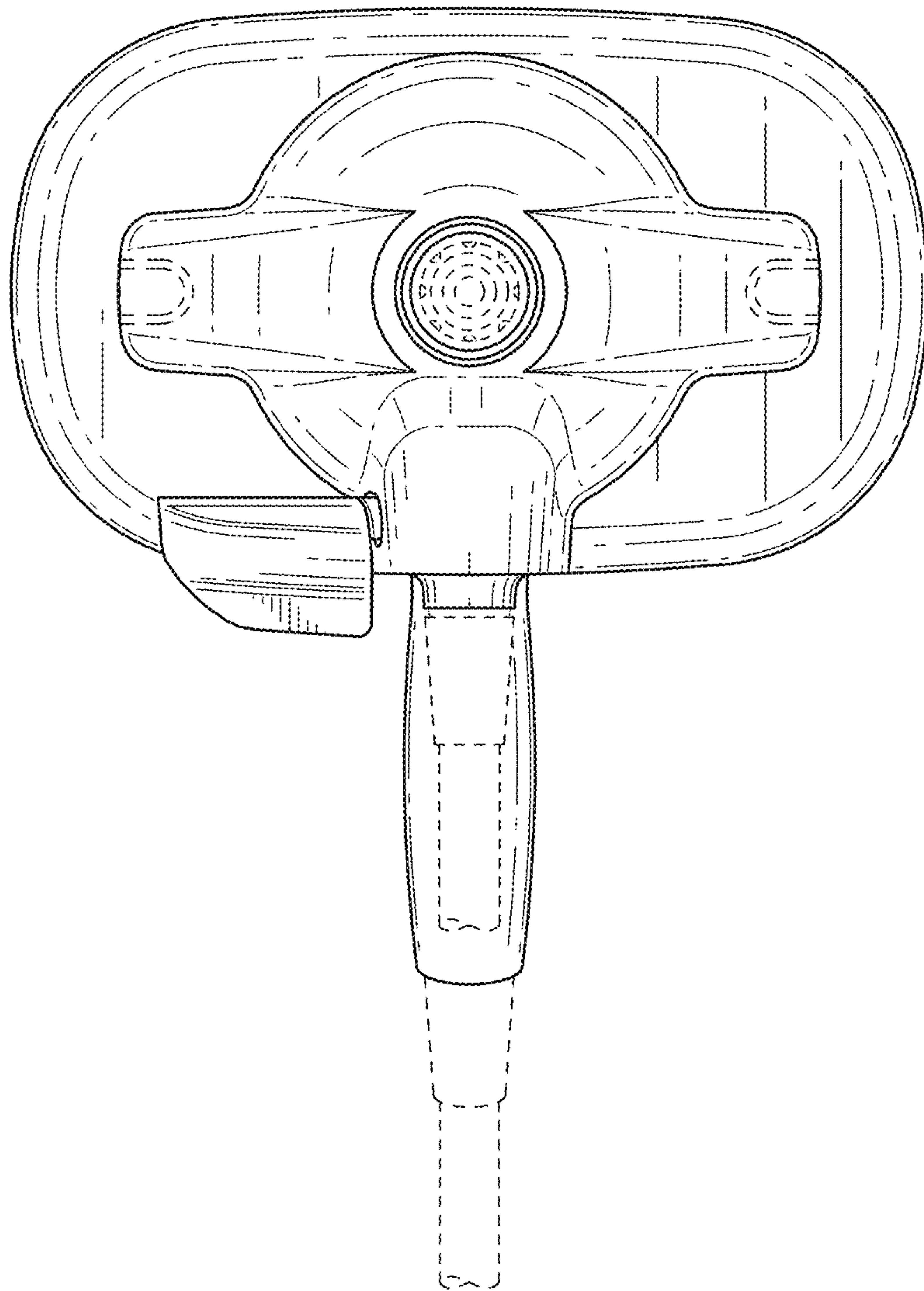


FIG. 5

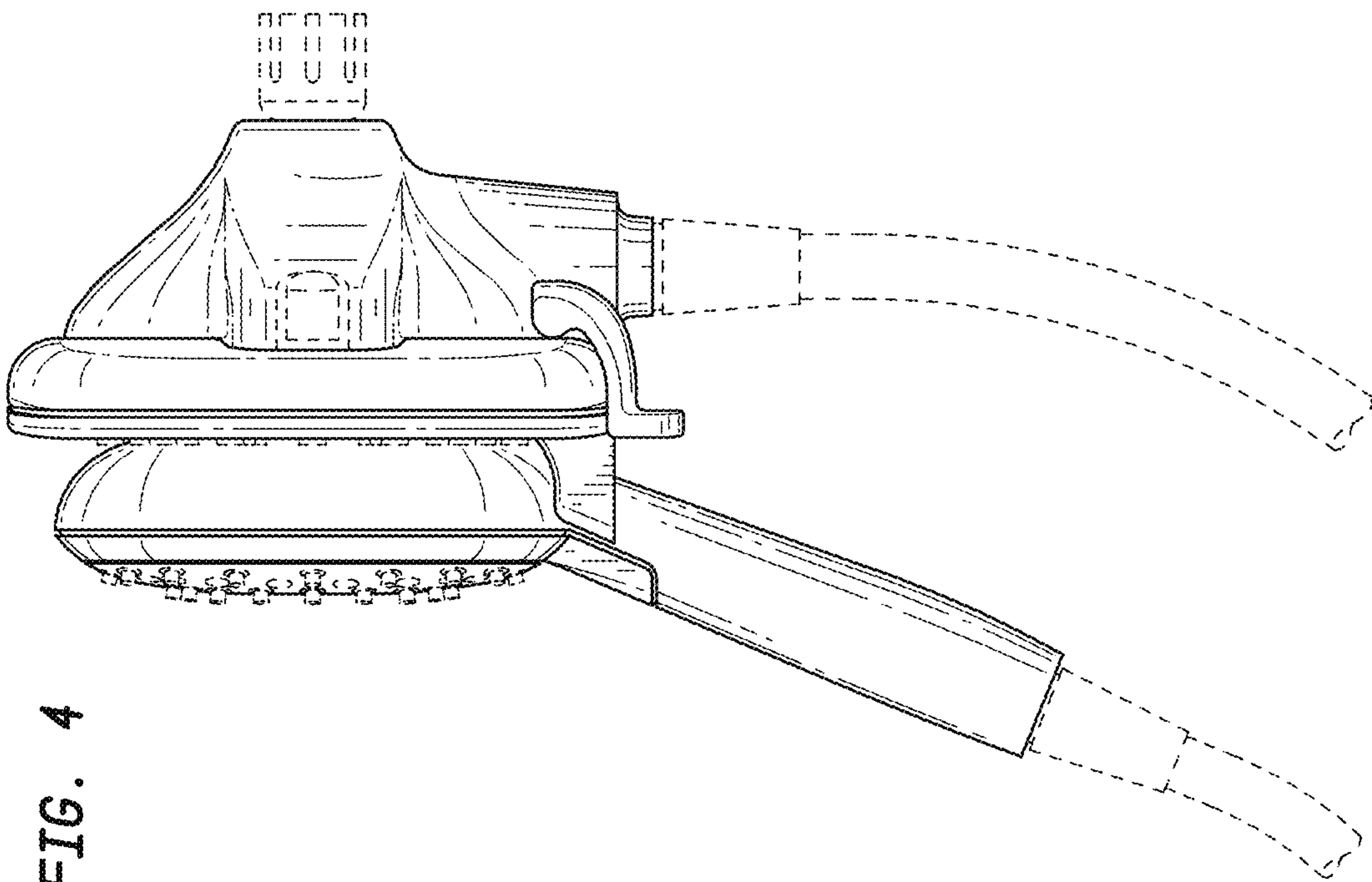
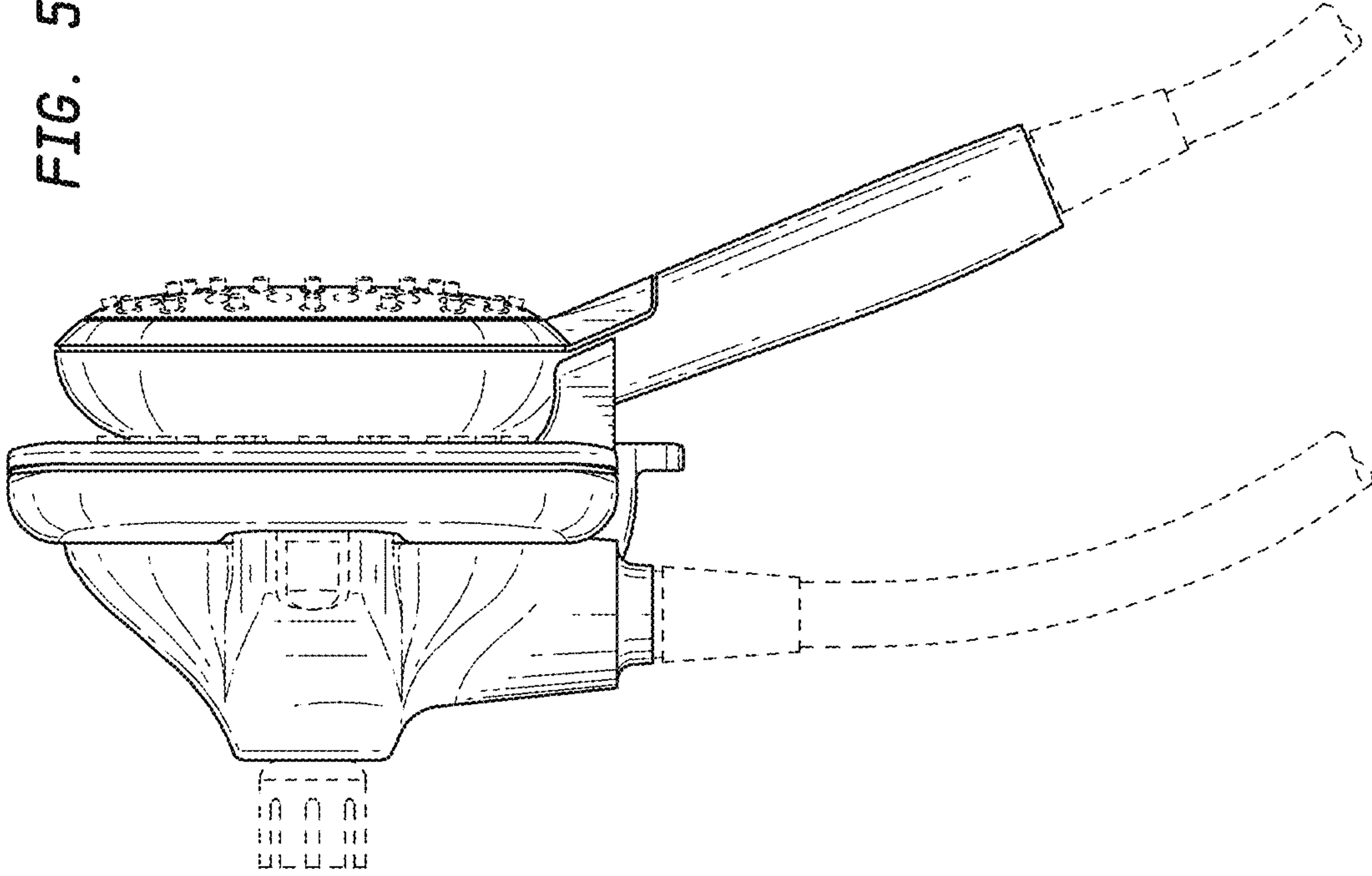


FIG. 4

FIG. 6

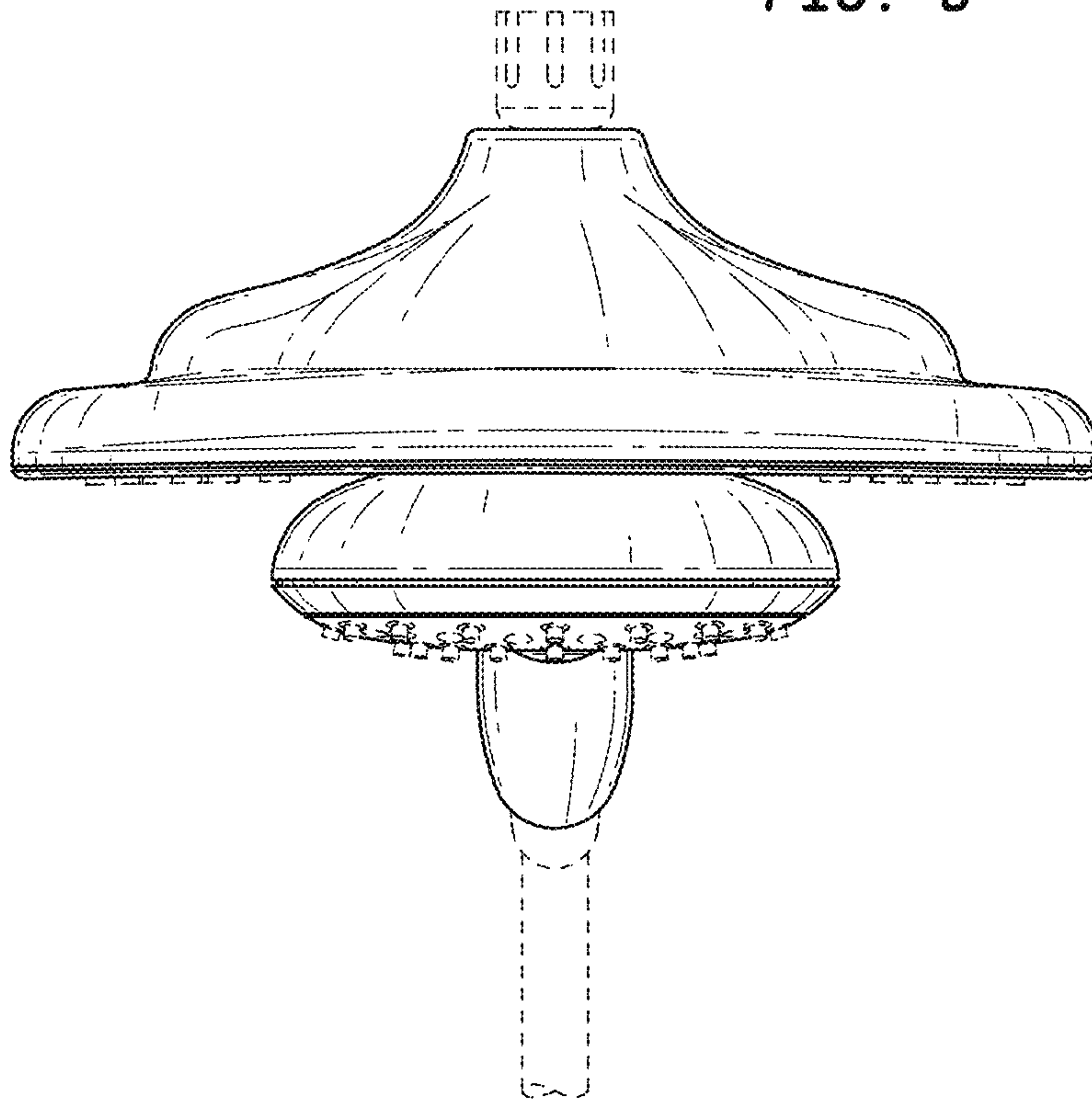
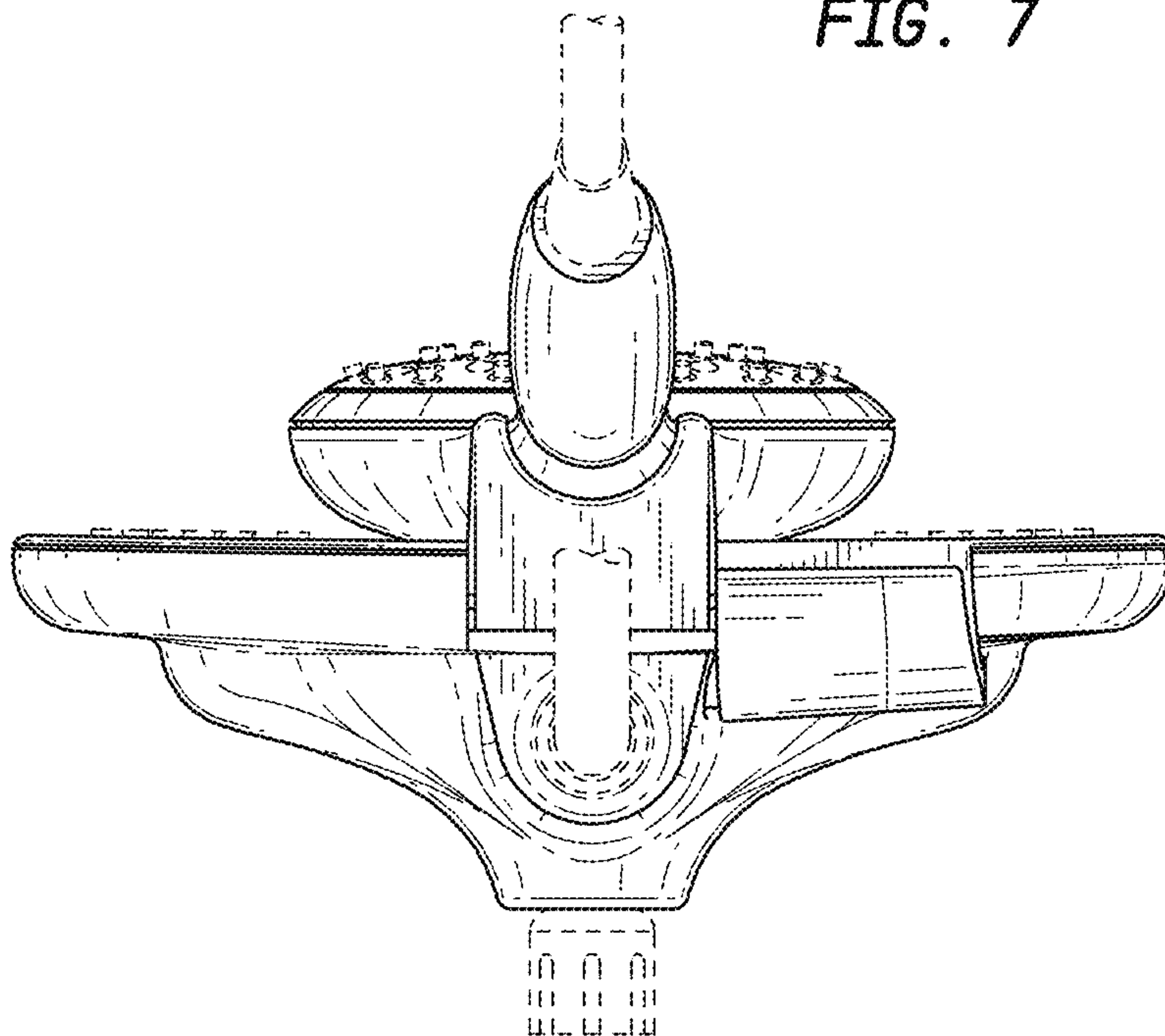


FIG. 7



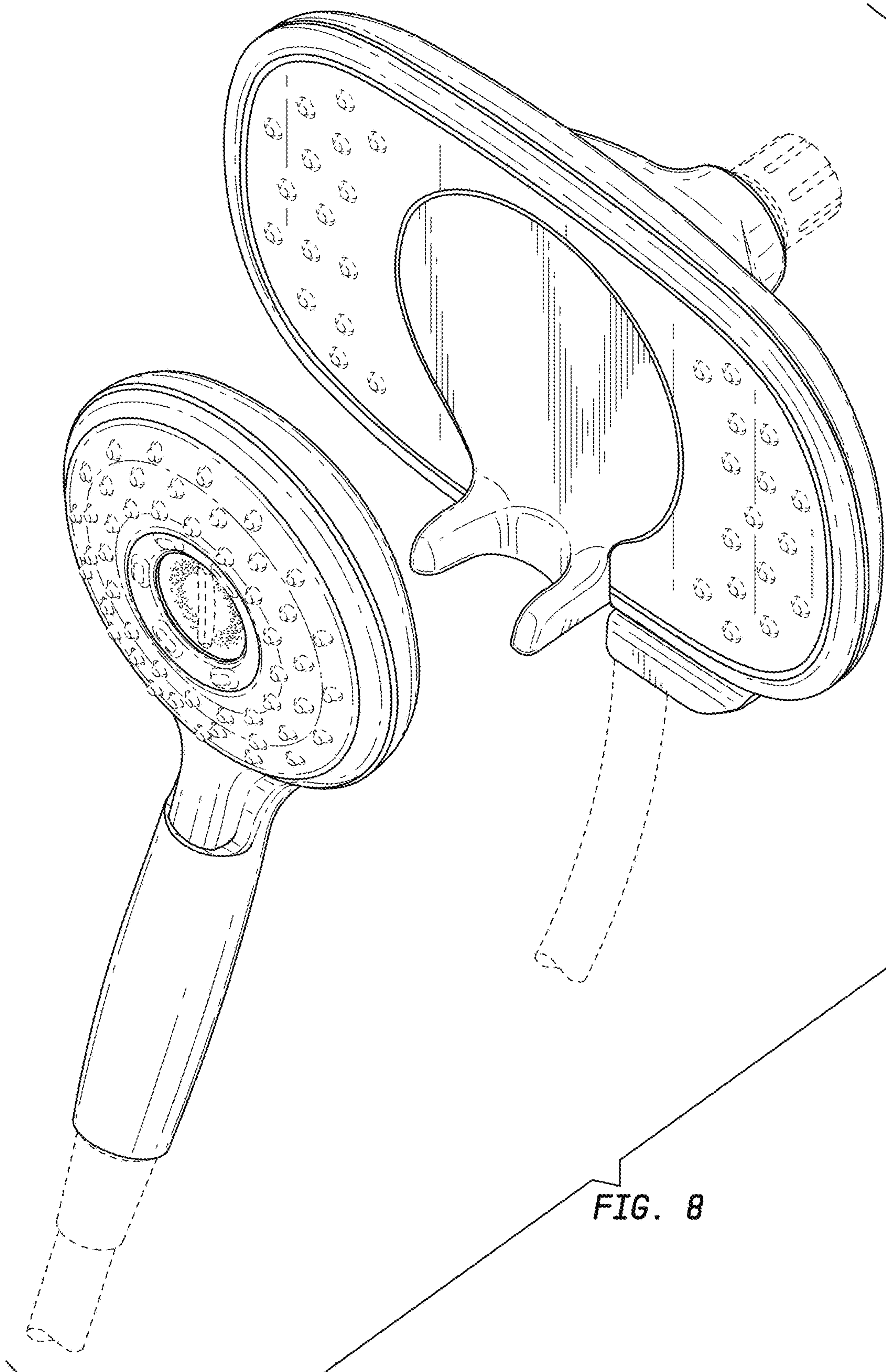


FIG. 8



FIG. 9

