



US00D820948S

(12) **United States Design Patent**  
**An et al.**

(10) **Patent No.:** **US D820,948 S**  
(45) **Date of Patent:** **\*\* Jun. 19, 2018**

(54) **WATER PURIFYING FILTER FOR REFRIGERATOR**

(71) Applicant: **LG ELECTRONICS INC.**, Seoul (KR)

(72) Inventors: **Siyeon An**, Seoul (KR); **Jimin You**, Seoul (KR)

(73) Assignee: **LG Electronics Inc.**, Seoul (KR)

(\*\*) Term: **15 Years**

(21) Appl. No.: **35/502,657**

(22) Filed: **Sep. 23, 2016**

(80) **Hague Agreement Data**

Int. Filing Date: **Sep. 23, 2016**  
Int. Reg. No.: **DM/092759**  
Int. Reg. Date: **Sep. 23, 2016**  
Int. Reg. Pub. Date: **Mar. 24, 2017**

(30) **Foreign Application Priority Data**

Apr. 12, 2016 (KR) ..... 30-2016-0017281

(51) **LOC (11) Cl.** ..... **23-01**

(52) **U.S. Cl.**  
USPC ..... **D23/209**

(58) **Field of Classification Search**

USPC ..... D23/202, 205, 207, 209, 235, 249, 259, D23/260, 262, 313

CPC ..... B05B 7/0425; E03C 1/08; E03C 1/084; E03C 1/086; E03C 2001/026

See application file for complete search history.

(56) **References Cited**

**U.S. PATENT DOCUMENTS**

D172,354 S \* 6/1954 Line ..... D15/7  
D288,707 S \* 3/1987 Macevicz ..... D23/209

5,486,288 A \* 1/1996 Stanford ..... B01D 35/153  
210/235  
D385,330 S \* 10/1997 Edman ..... D23/209  
D422,677 S \* 4/2000 Birdsell ..... D23/209  
D615,362 S \* 5/2010 Handel ..... D7/510  
D621,471 S \* 8/2010 Bock ..... D23/202  
D679,779 S \* 4/2013 Reid ..... D23/209  
D712,007 S \* 8/2014 Reid ..... D23/209  
D752,707 S \* 3/2016 Huda ..... D23/209  
D758,526 S \* 6/2016 Quail ..... D23/205  
D773,606 S \* 12/2016 Ruprecht ..... D23/209  
D794,751 S \* 8/2017 Zou ..... D23/209  
D807,987 S \* 1/2018 Ruprecht ..... D23/209  
2017/0350641 A1 \* 12/2017 Park ..... F25D 23/126

\* cited by examiner

*Primary Examiner* — Keli L Hill

(74) *Attorney, Agent, or Firm* — Birch, Stewart, Kolasch & Birch, LLP

(57) **CLAIM**

The ornamental design for a water purifying filter for refrigerator, as shown and described.

**DESCRIPTION**

1. Water purifying filter for refrigerator

1.1 is a top and front perspective view.

1.2 is a side elevation view.

1.3 is an opposite side elevation view.

1.4 is a front elevation view.

1.5 is a rear elevation view.

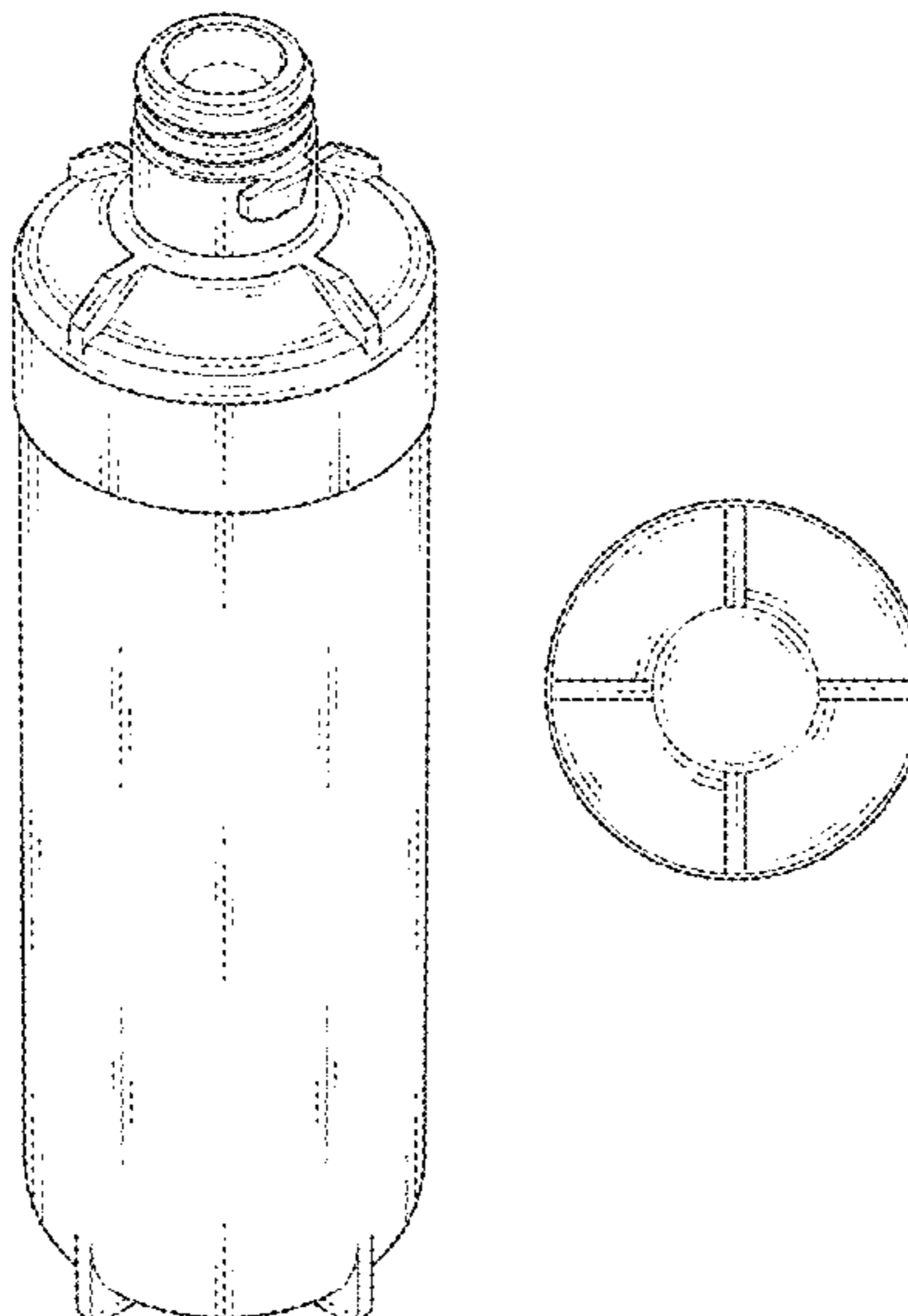
1.6 is a top plan view.

1.7 is a bottom plan view.

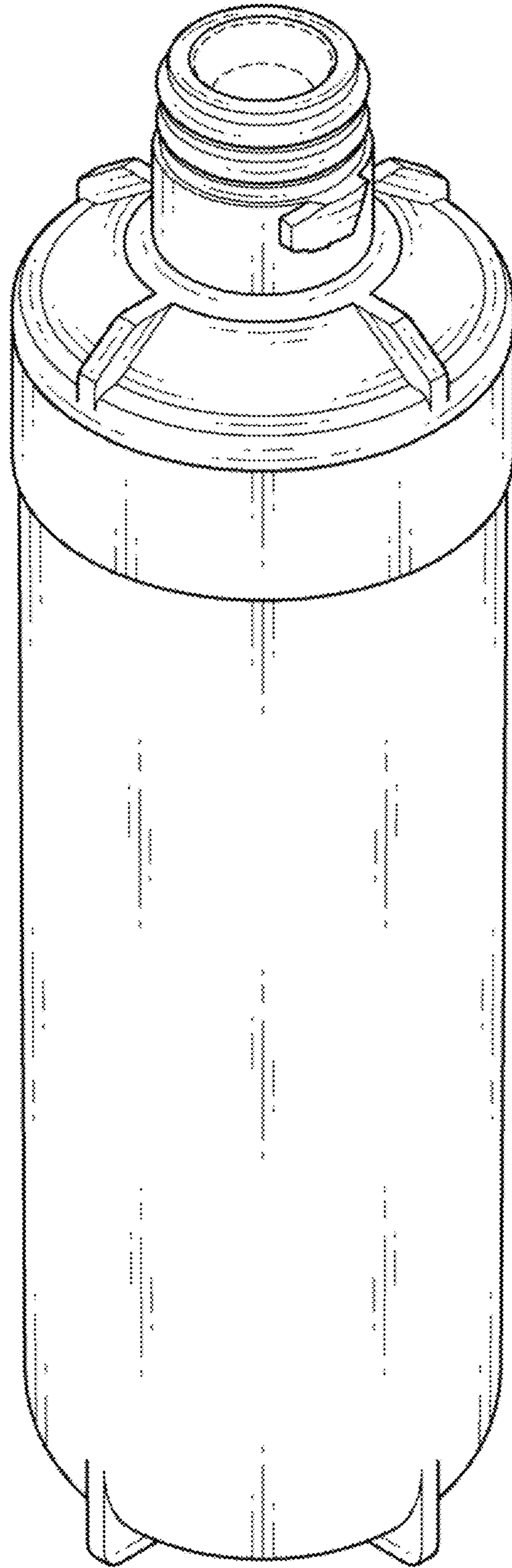
1.8 is an alternate perspective view.

The broken line showing of filter head in Reproduction 1.8 is included for the purpose of illustrating environment of the article and forms no part of the claimed design.

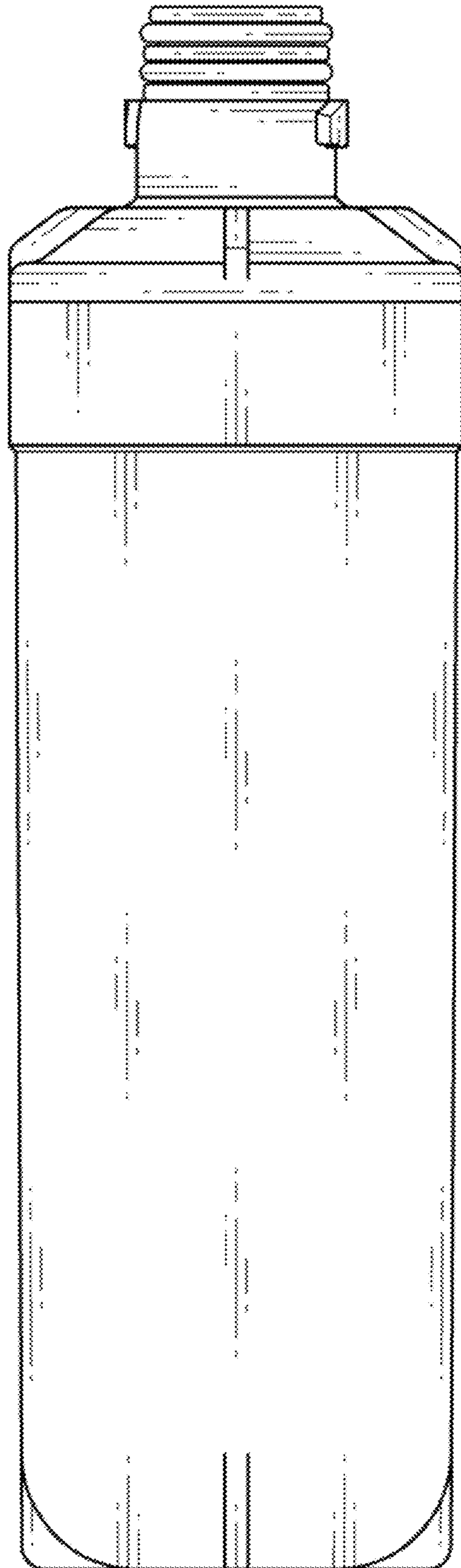
**1 Claim, 8 Drawing Sheets**



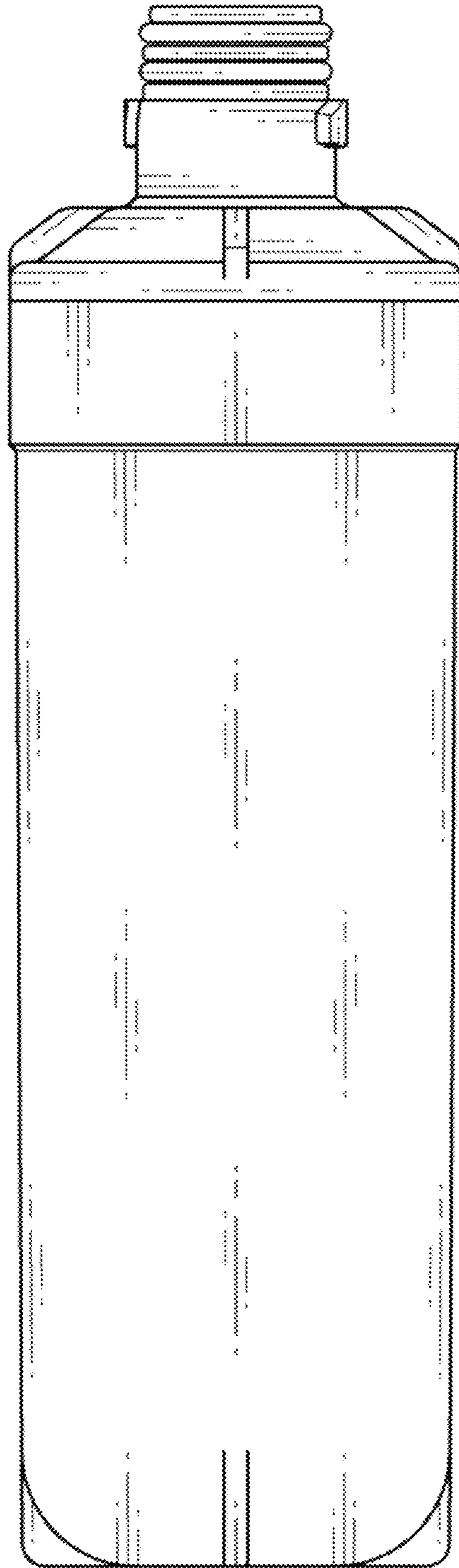
1.1



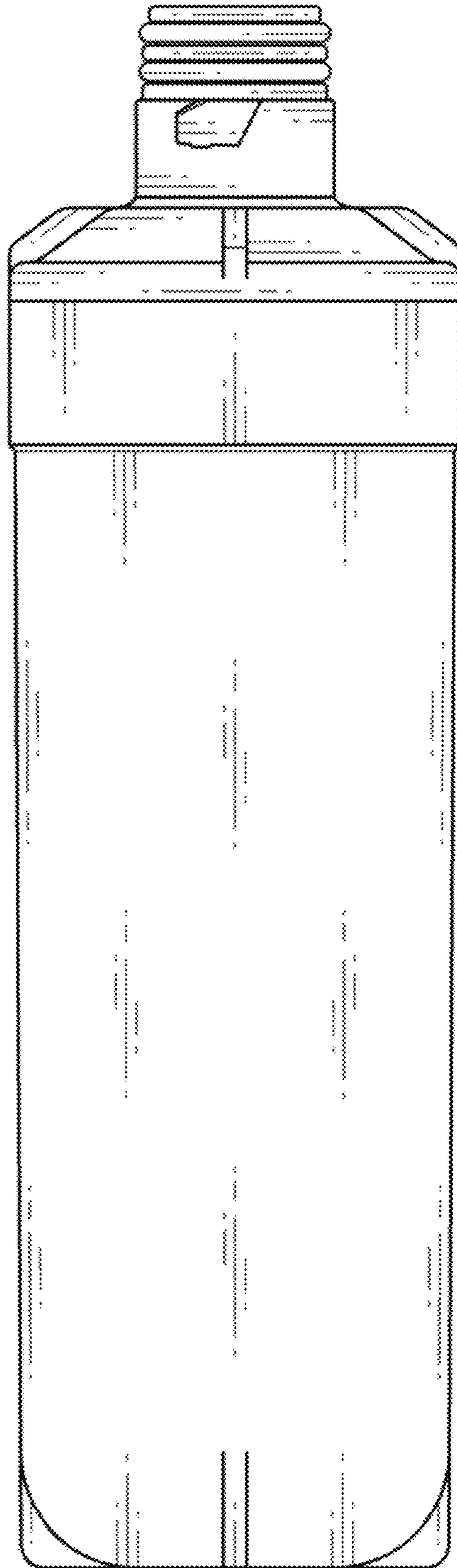
1.2



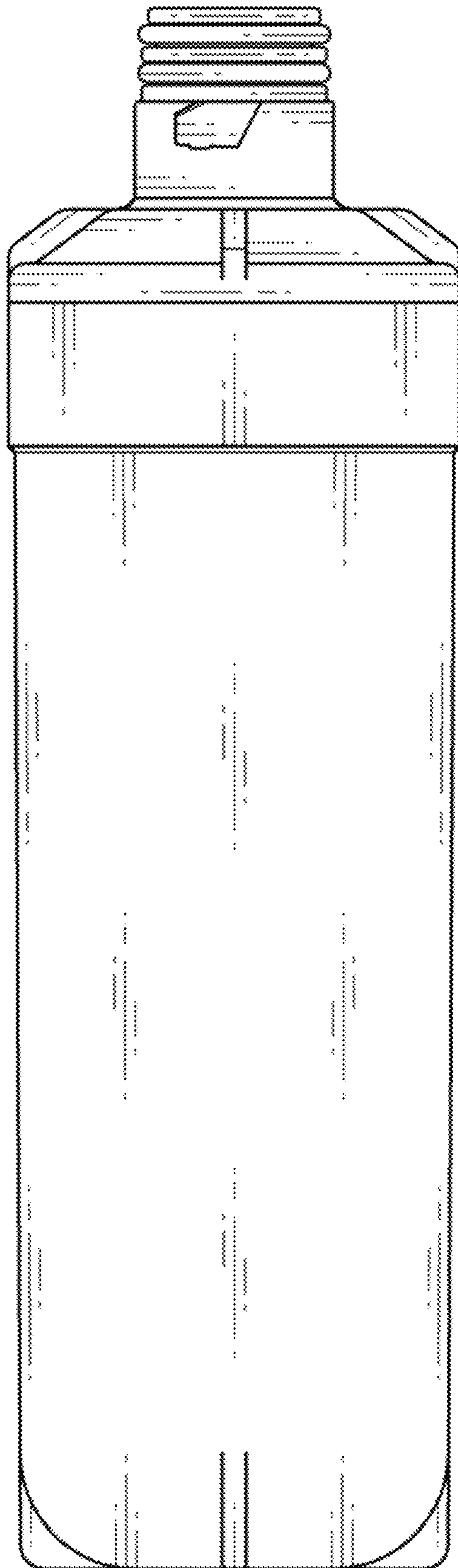
1.3



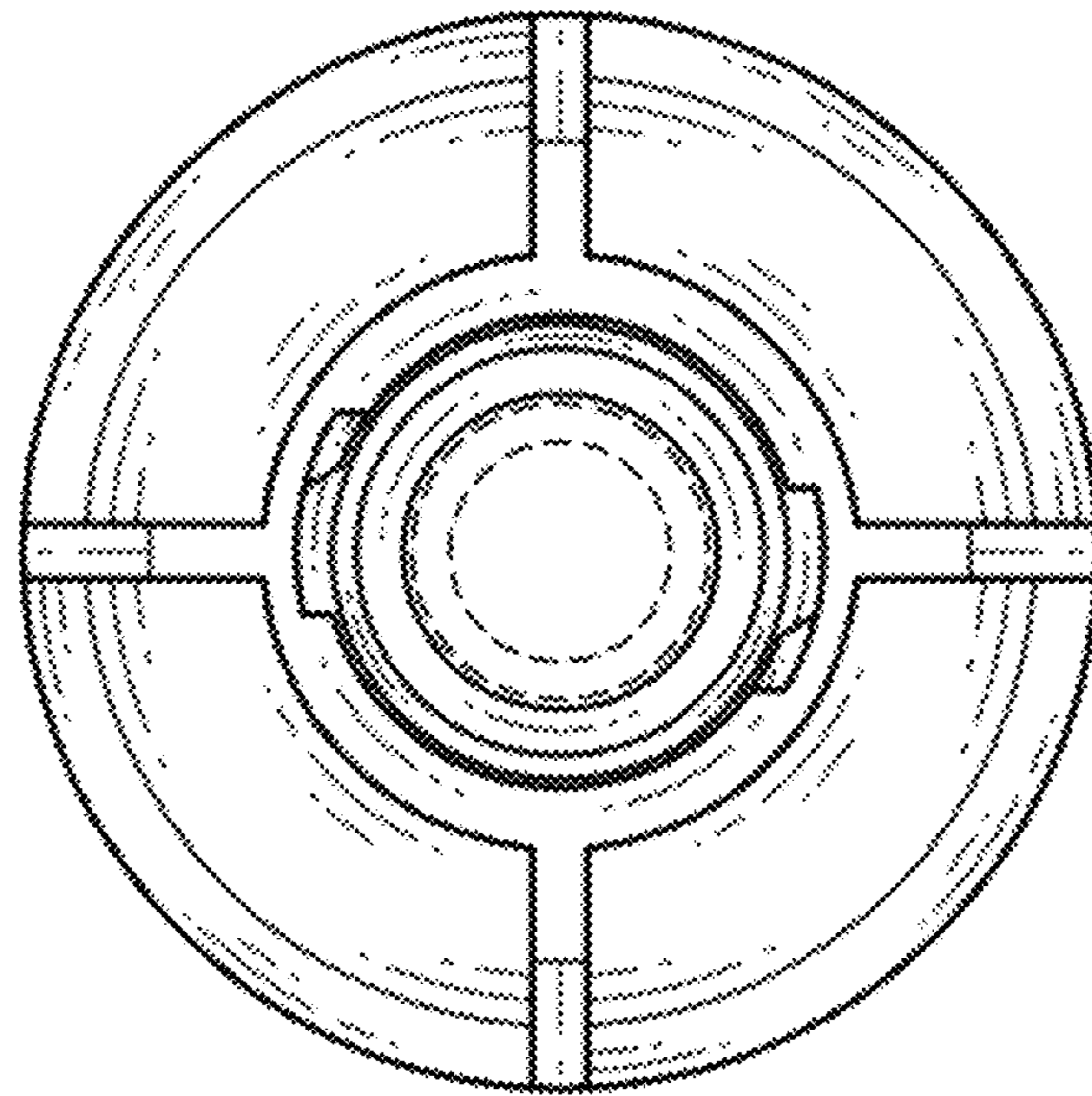
1.4



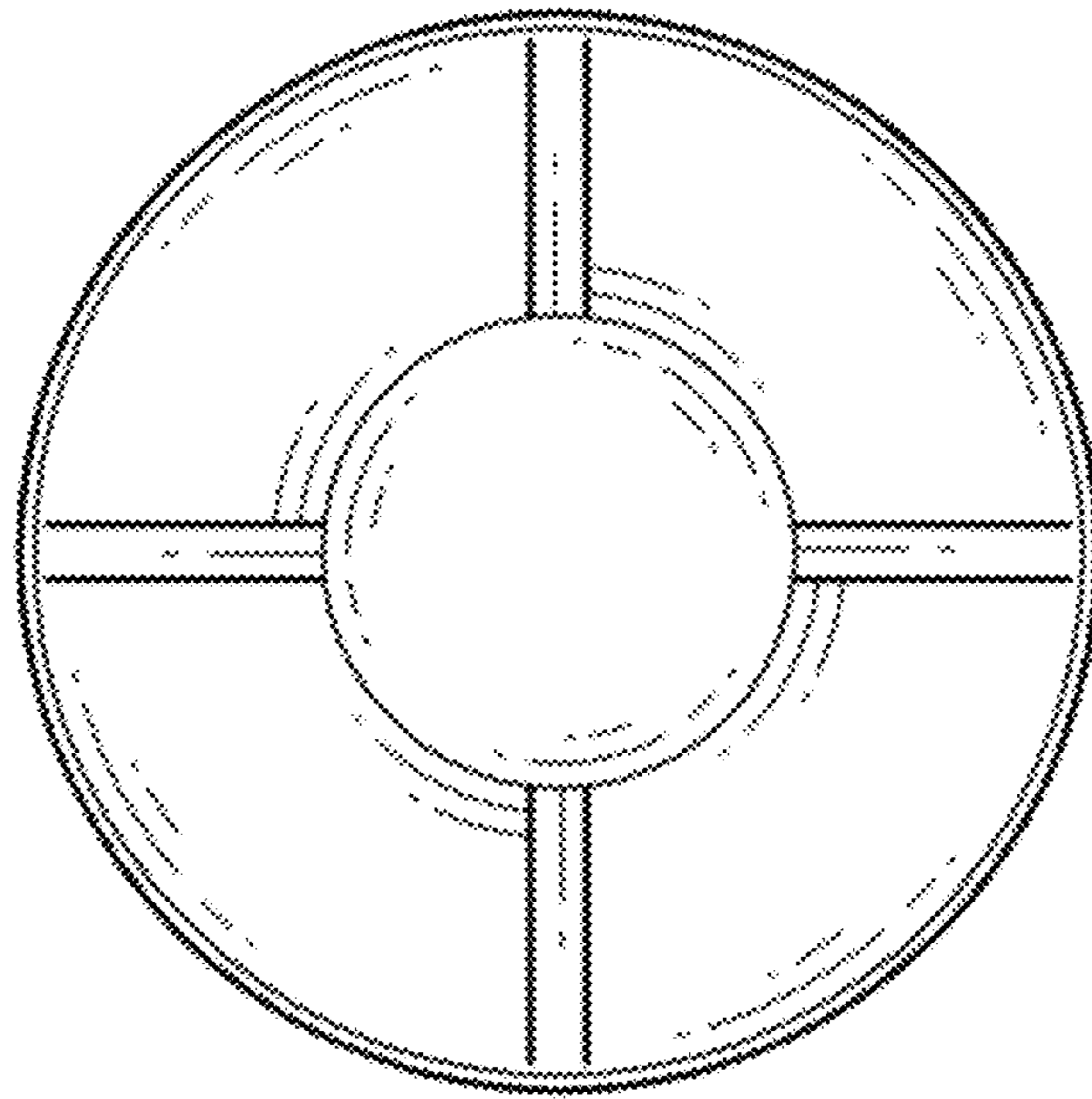
1.5



**1.6**



1.7





1.8

