



US00D820946S

(12) **United States Design Patent** (10) **Patent No.:** **US D820,946 S**
Tomczyk et al. (45) **Date of Patent:** **** Jun. 19, 2018**

(54) **TOILET RIM BLOCK HOLDER**

(71) Applicant: **DRAMERS S.A.**, Swarzedz (PL)

(72) Inventors: **Piotr Tomczyk**, Poznan (PL); **Jerzy Dobosz**, Poznan (PL)

(73) Assignee: **DRAMERS S.A.**, Swarzedz (PL)

(**) Term: **15 Years**

(21) Appl. No.: **29/576,418**

(22) Filed: **Sep. 2, 2016**

(30) **Foreign Application Priority Data**

Jun. 16, 2016 (EM) 003225275

(51) **LOC (11) Cl.** **23-01**

(52) **U.S. Cl.**
USPC **D23/208**

(58) **Field of Classification Search**
USPC D4/114, 116, 121, 122, 138; D9/414;
D23/207, 208, 209; D32/35, 50, 52
(Continued)

(56) **References Cited**

U.S. PATENT DOCUMENTS

D556,854 S * 12/2007 Cheung D23/208
D655,778 S * 3/2012 Muhlhausen D23/208
(Continued)

FOREIGN PATENT DOCUMENTS

EM 002133314-0001 * 11/2012
WO WO D079761-001 * 11/2012
(Continued)

OTHER PUBLICATIONS

Brait Lilac Garden—new, [on-line]; [Internet publication date unknown]; [retrieved from the Internet on Jul. 26, 2017]; URL:

<http://dramers.com.pl/en/nasze-marki/two-fase-toilet-rim-block/brait-lilac-garden-new/>. (1 page).*

Primary Examiner — Karen E Eldridge Powers

Assistant Examiner — Jasmine Mlinarcik

(74) *Attorney, Agent, or Firm* — Katten Muchin Rosenman LLP

(57) **CLAIM**

The ornamental design for a toilet rim block holder, as shown and described.

DESCRIPTION

FIG. 1 depicts a front perspective view of the toilet rim block holder.

FIG. 2 depicts a front elevation view of the toilet rim block holder of FIG. 1.

FIG. 3 depicts a rear elevation view of the toilet rim block holder of FIG. 1.

FIG. 4 depicts a right side elevation view of the toilet rim block holder of FIG. 1.

FIG. 5 depicts a left side elevation view of the toilet rim block holder of FIG. 1.

FIG. 6 depicts a top plan view of the toilet rim block holder of FIG. 1.

FIG. 7 depicts a bottom plan view of the toilet rim block holder of FIG. 1.

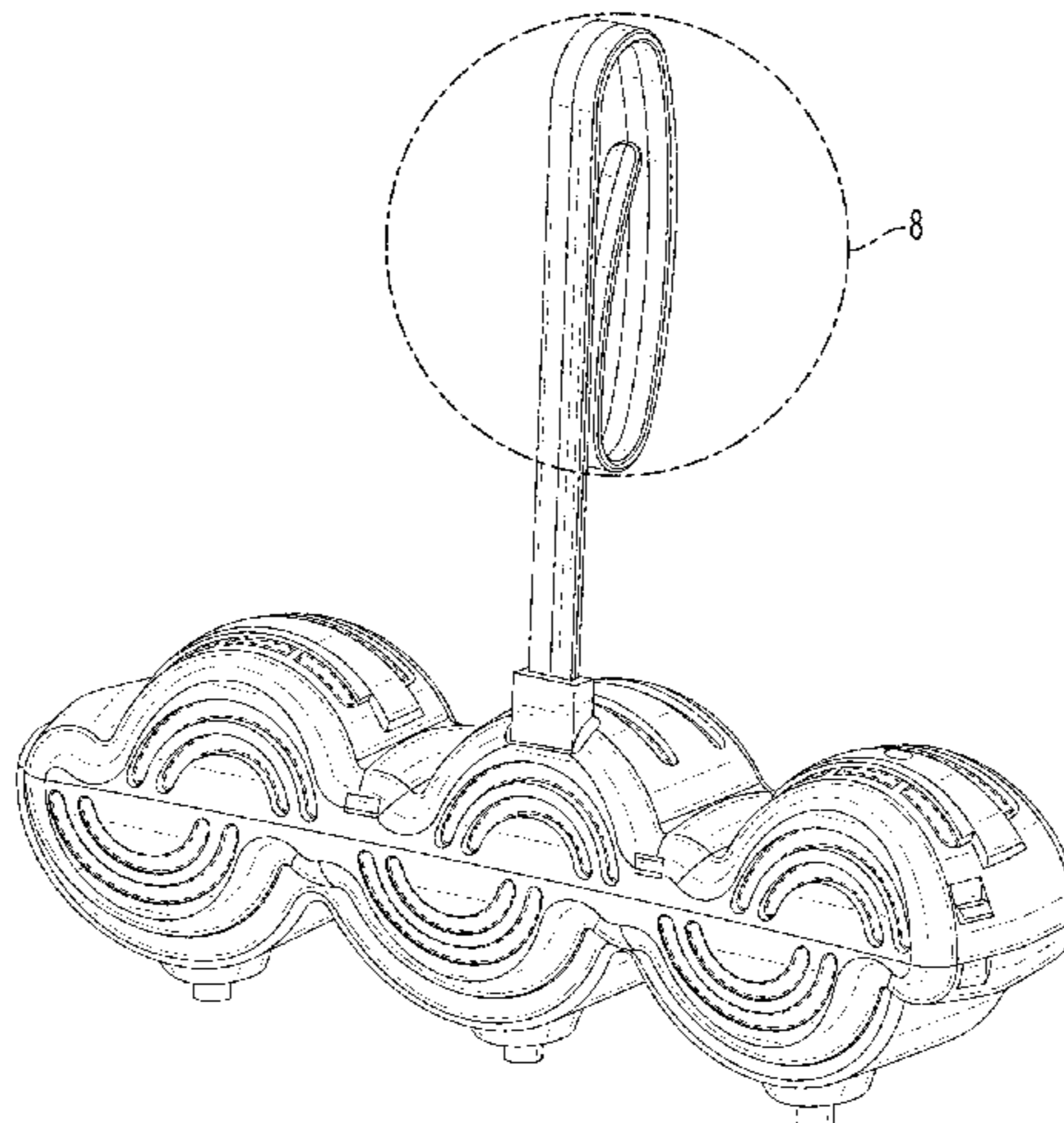
FIG. 8 depicts an enlarged detail view of the toilet rim block holder structure depicted in FIG. 1 shown separately for clarity.

FIG. 9 depicts an enlarged detail view of the toilet rim block holder structure depicted in FIG. 4 shown separately for clarity; and,

FIG. 10 depicts is an enlarged detail view of the toilet rim block holder structure depicted in FIG. 5 shown separately for clarity.

The dash-dash broken lines define the bounds of the claimed design and the dash-dot-dash broken lines define the bound of the enlarged detail views. The broken lines do not form part of the claimed design.

1 Claim, 10 Drawing Sheets



(58) **Field of Classification Search**

CPC A61L 9/05; A61L 9/12; E03D 9/00; E03D
9/002; E03D 9/005; E03D 9/007; E03D
9/02; E03D 9/022; E03D 9/032; E03D
9/033; E03D 2009/024; E03D 2009/026;
E03D 2009/028

See application file for complete search history.

(56) **References Cited**

U.S. PATENT DOCUMENTS

D656,576 S	*	3/2012	Muhlhausen	D23/208
D689,167 S	*	9/2013	Gerhards	D23/208
D740,649 S	*	10/2015	Evans	D9/414
D772,377 S	*	11/2016	Gerhards	D23/208
D787,632 S	*	5/2017	Gerhards	D23/208
D788,259 S	*	5/2017	Gerhards	D23/208
D788,262 S	*	5/2017	Gerhards	D23/208
D790,658 S	*	6/2017	Gerhards	D23/208
D791,274 S	*	7/2017	Gerhards	D23/208

FOREIGN PATENT DOCUMENTS

WO	WO D086070-001	*	5/2015
WO	WO D086545-001	*	6/2015

* cited by examiner

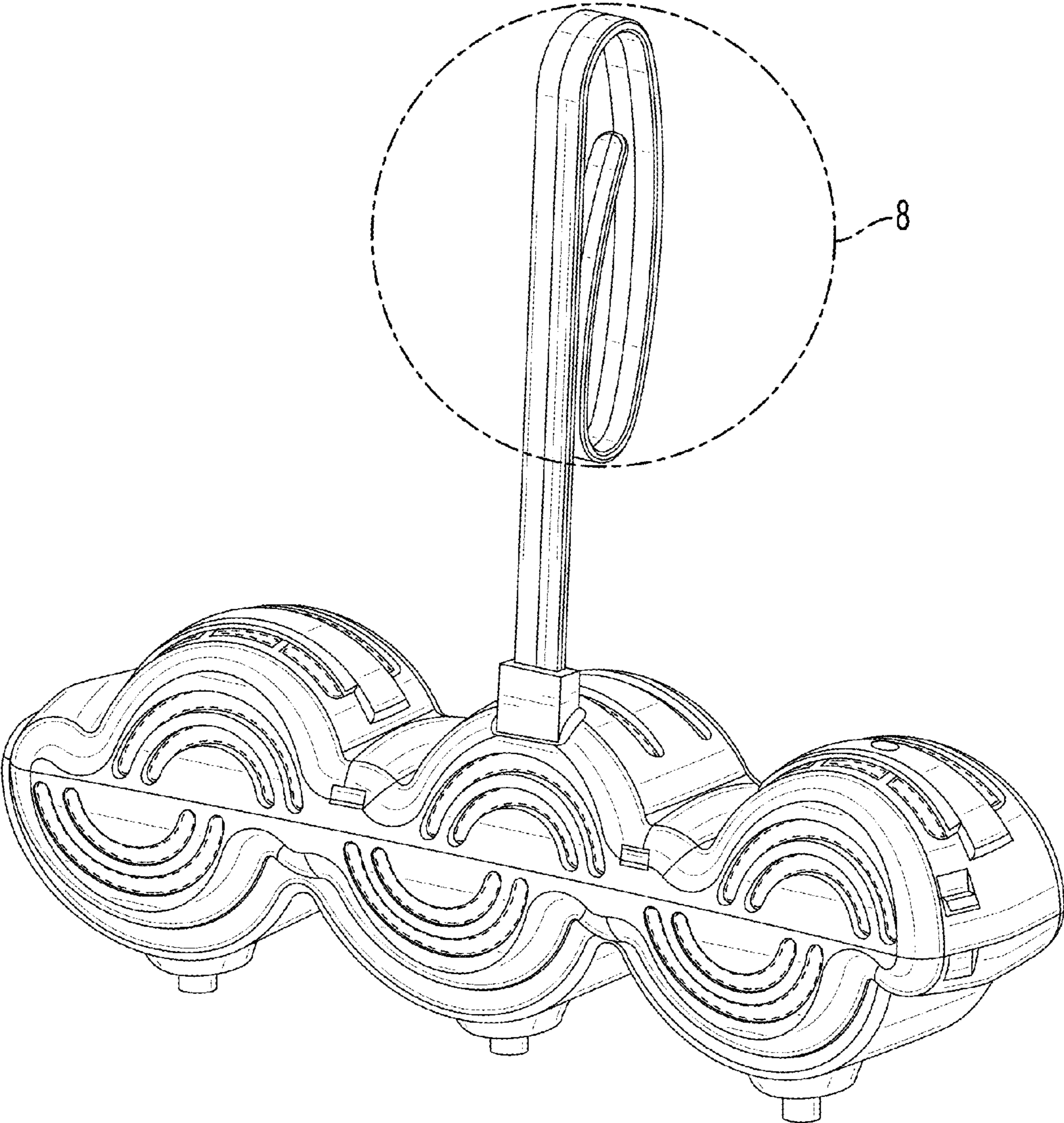


FIG. 1

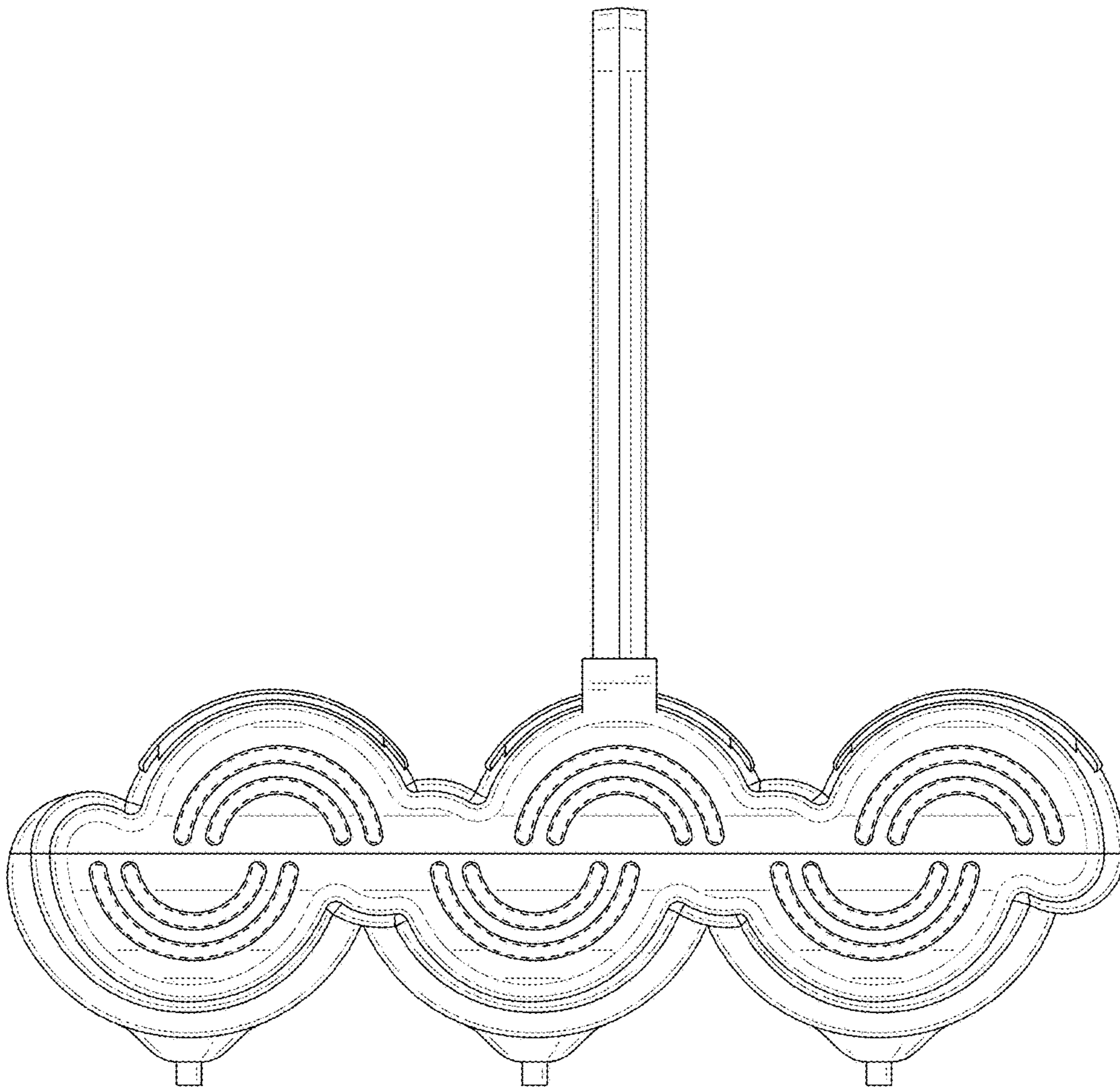


FIG. 2

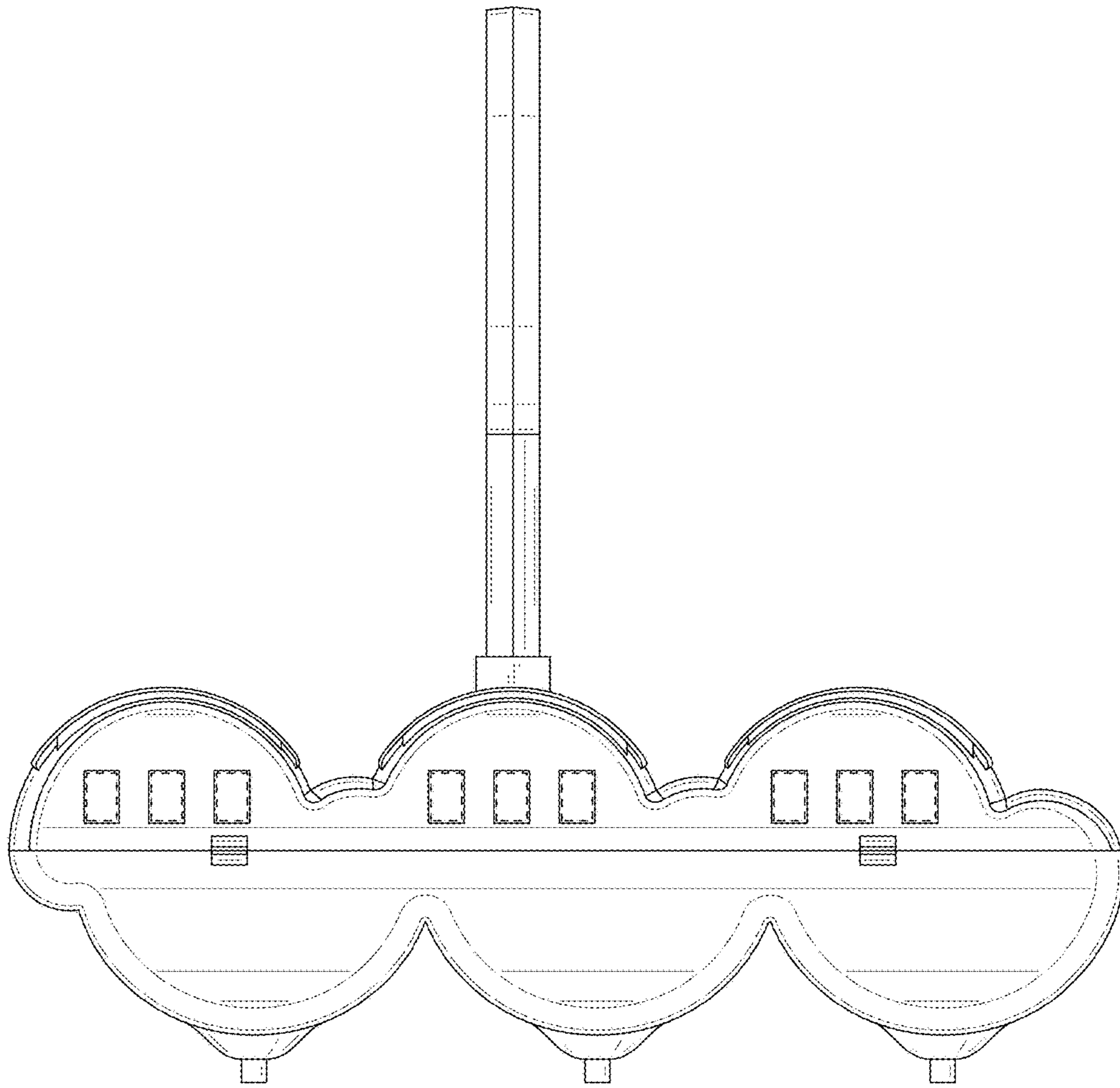


FIG. 3

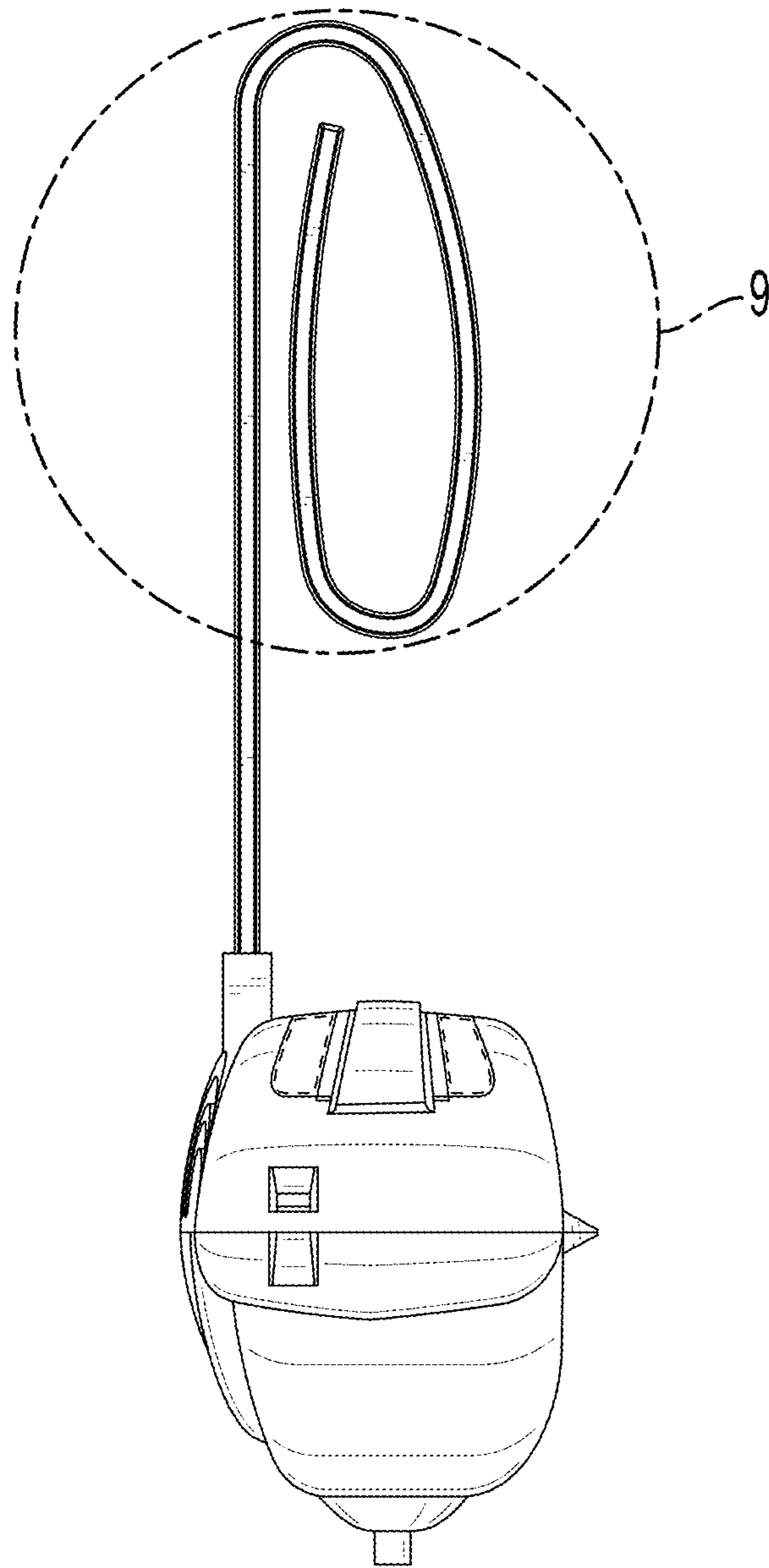


FIG. 4

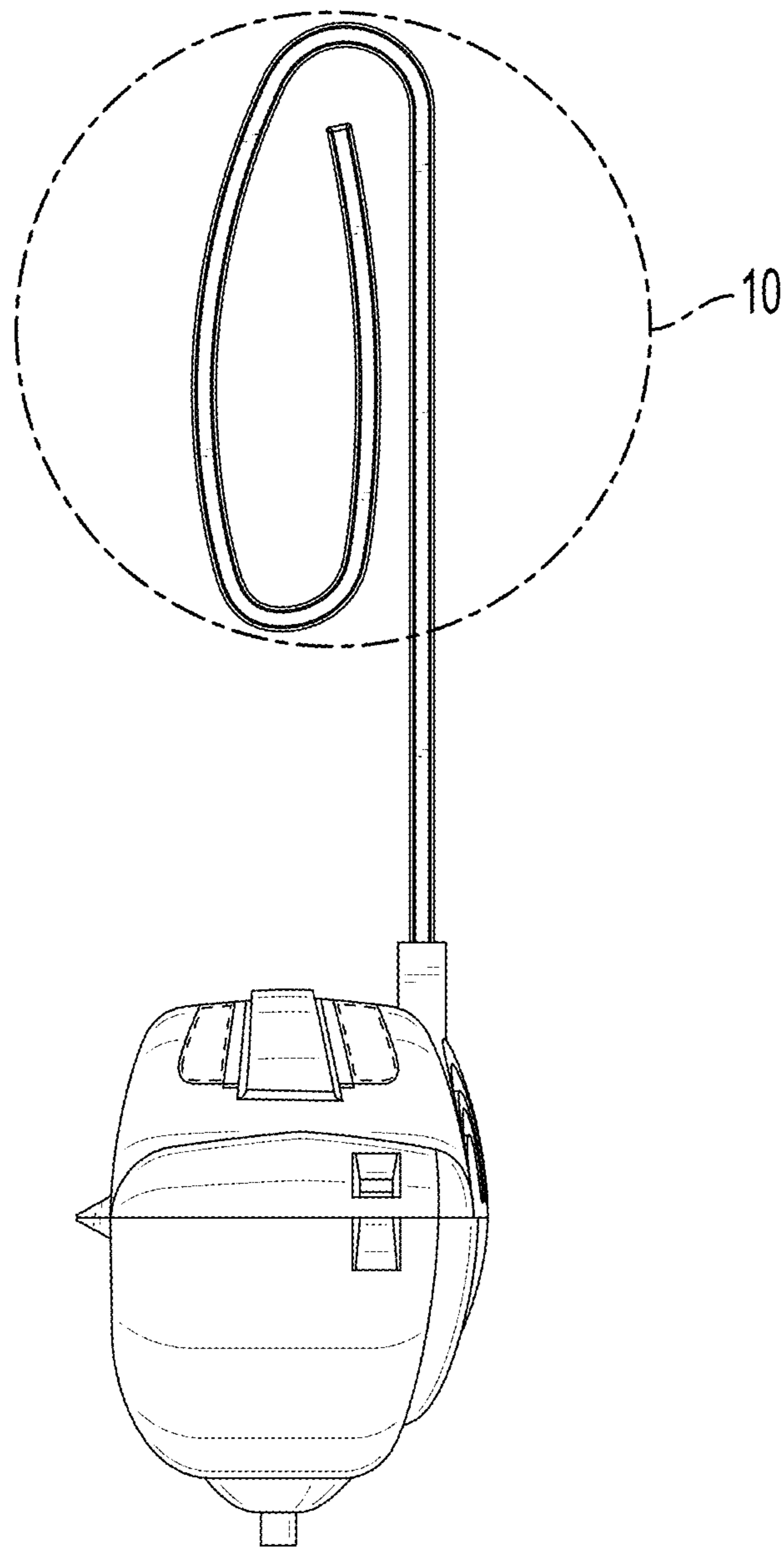


FIG. 5

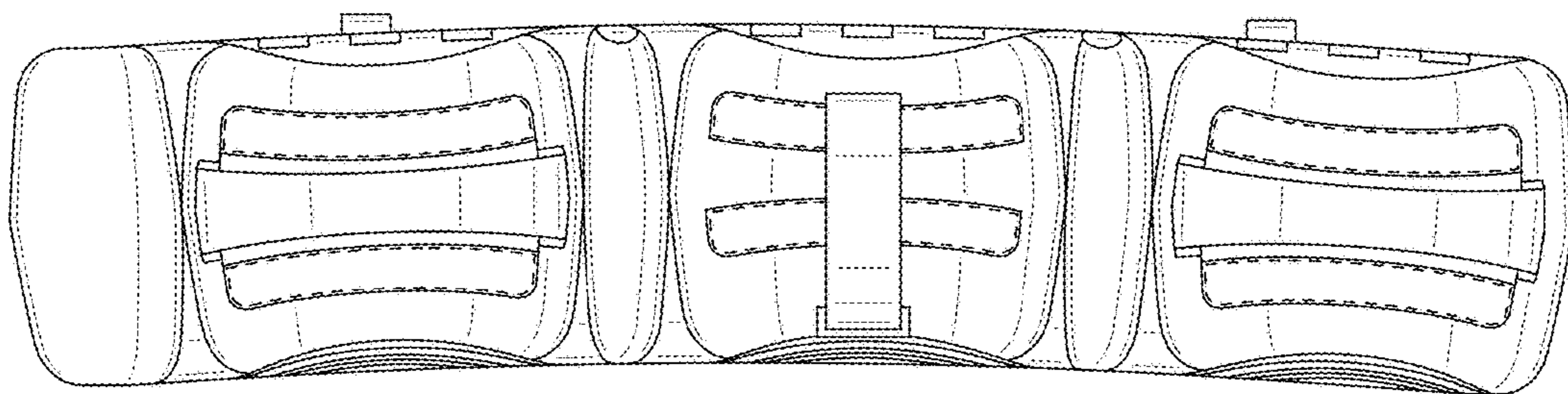


FIG. 6

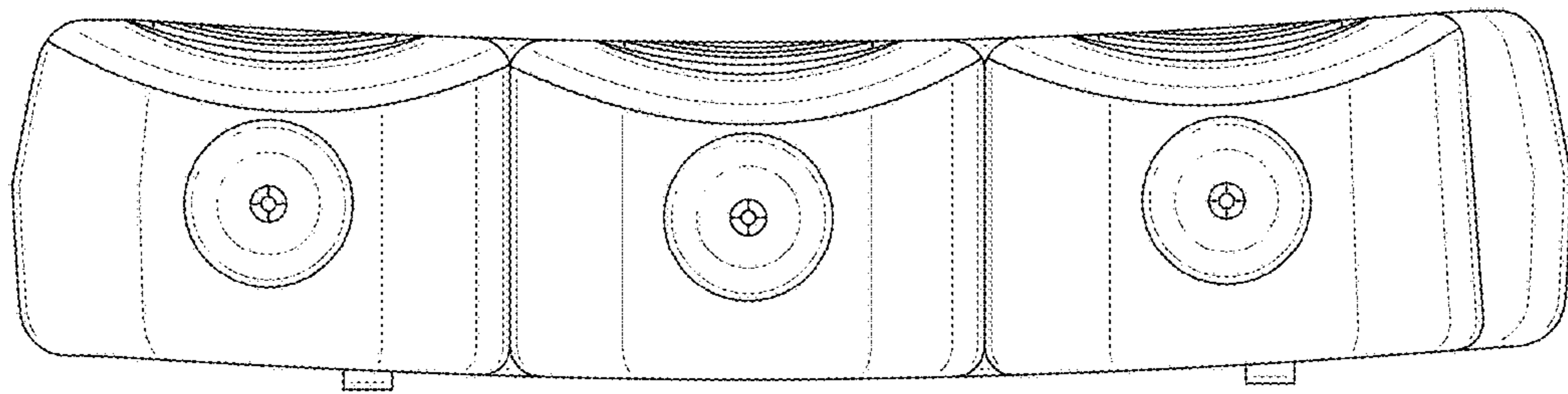


FIG. 7

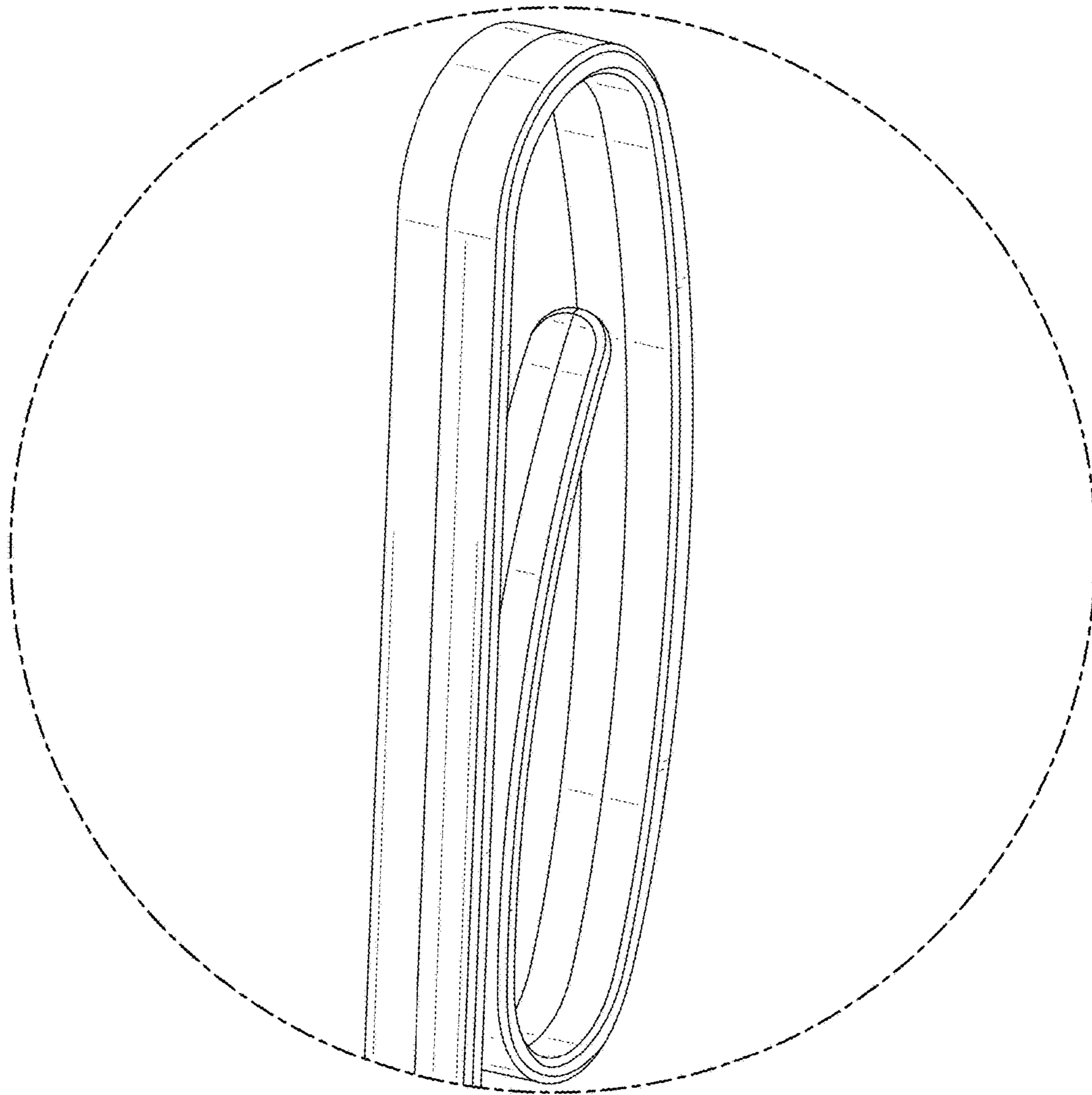


FIG. 8

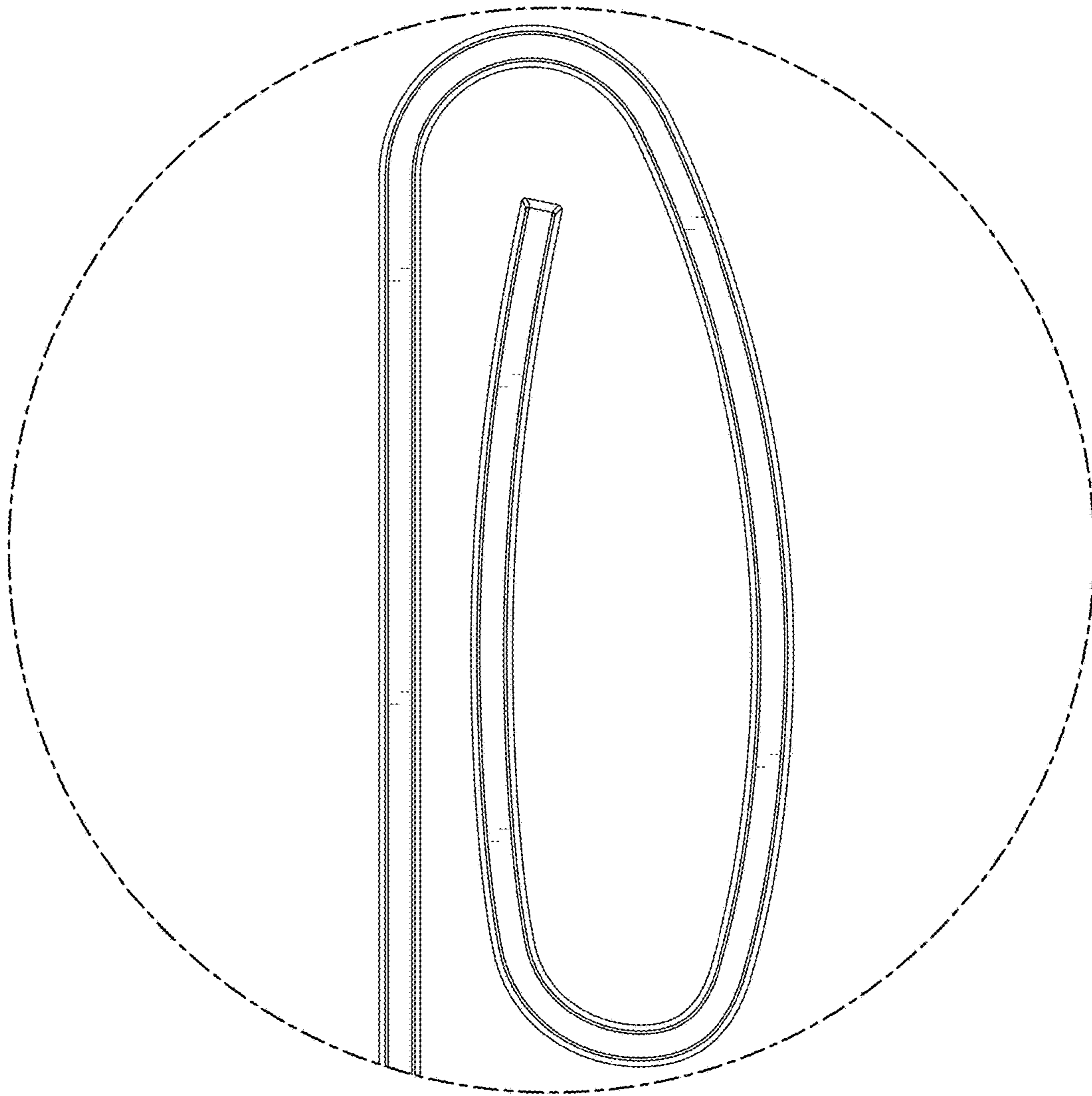


FIG. 9

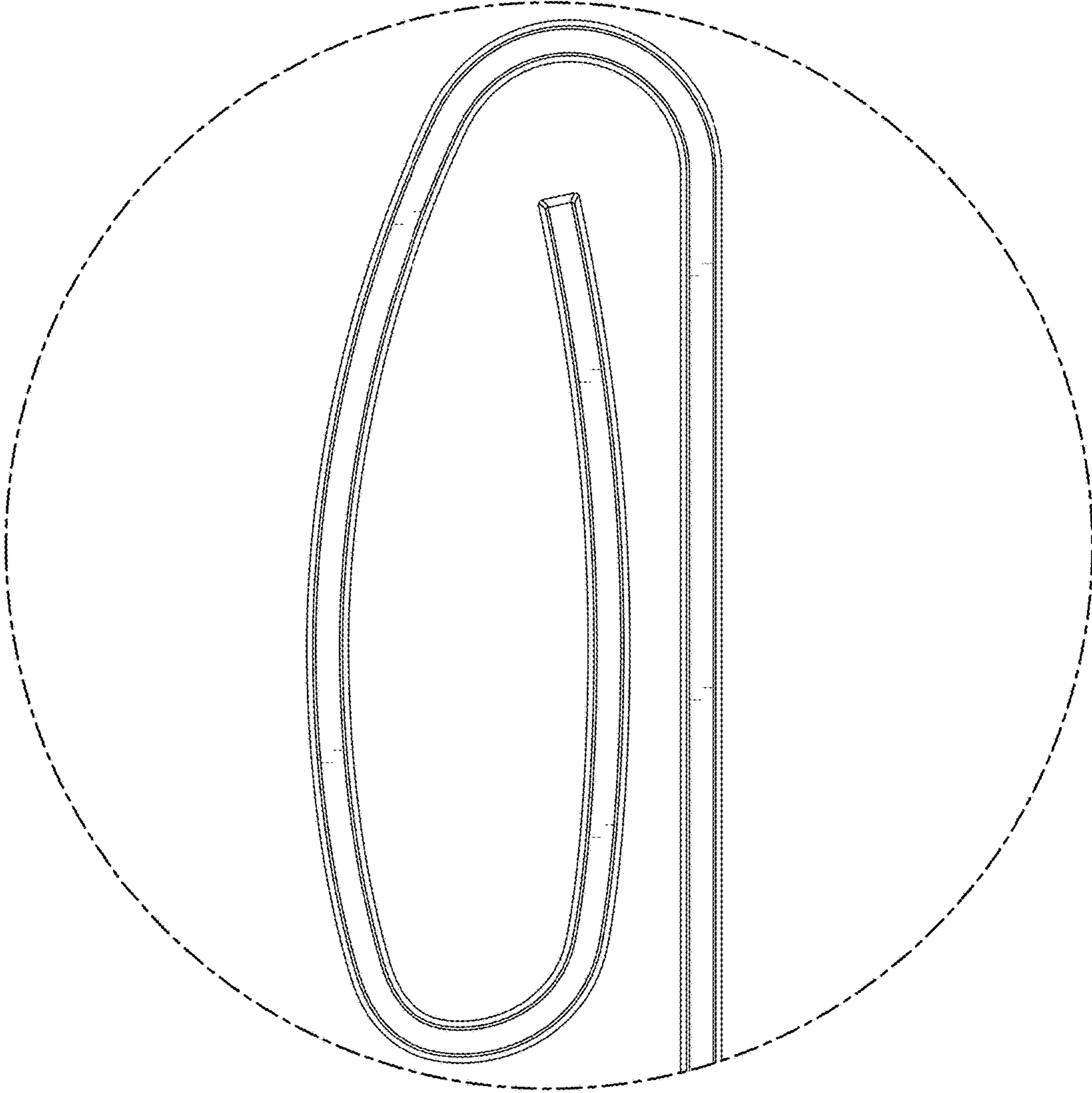


FIG. 10