

US00D820945S

(12) **United States Design Patent** (10) **Patent No.:** **US D820,945 S**
Marchese (45) **Date of Patent:** **** Jun. 19, 2018**

(54) **LINE THREADER DEVICE**
(71) Applicant: **Patrick John Marchese**, Fort Worth, TX (US)
(72) Inventor: **Patrick John Marchese**, Fort Worth, TX (US)

4,915,631 A 4/1990 Robinson et al.
6,026,607 A 2/2000 Bukowski
6,041,541 A 3/2000 Davis
6,050,018 A 4/2000 Allen
6,474,013 B2* 11/2002 Terry A01K 97/06
43/25.2

(Continued)

(**) Term: **15 Years**

(21) Appl. No.: **29/584,207**

(22) Filed: **Nov. 11, 2016**

(51) **LOC (11) Cl.** **22-05**

(52) **U.S. Cl.**
USPC **D22/149**

(58) **Field of Classification Search**
USPC D22/149-150, 134, 199; 43/4, 25.2, 43/43.16, 44.83, 57.1
CPC A01K 87/007; A01K 91/04; A01K 97/06
See application file for complete search history.

FOREIGN PATENT DOCUMENTS

GB 2096959 10/1982
GB 2097052 10/1982

(Continued)

OTHER PUBLICATIONS

Ultra Fishing Tackle, Thread Easy Line Threader, Apr. 9, 2006, 1 pg., <http://thefishingcoach.co.uk/thread-easy-line-threader/>.

(Continued)

Primary Examiner — Catherine R Oliver-Garcia

(57) **CLAIM**

The ornamental design for a line threader device, as shown and described.

(56) **References Cited**

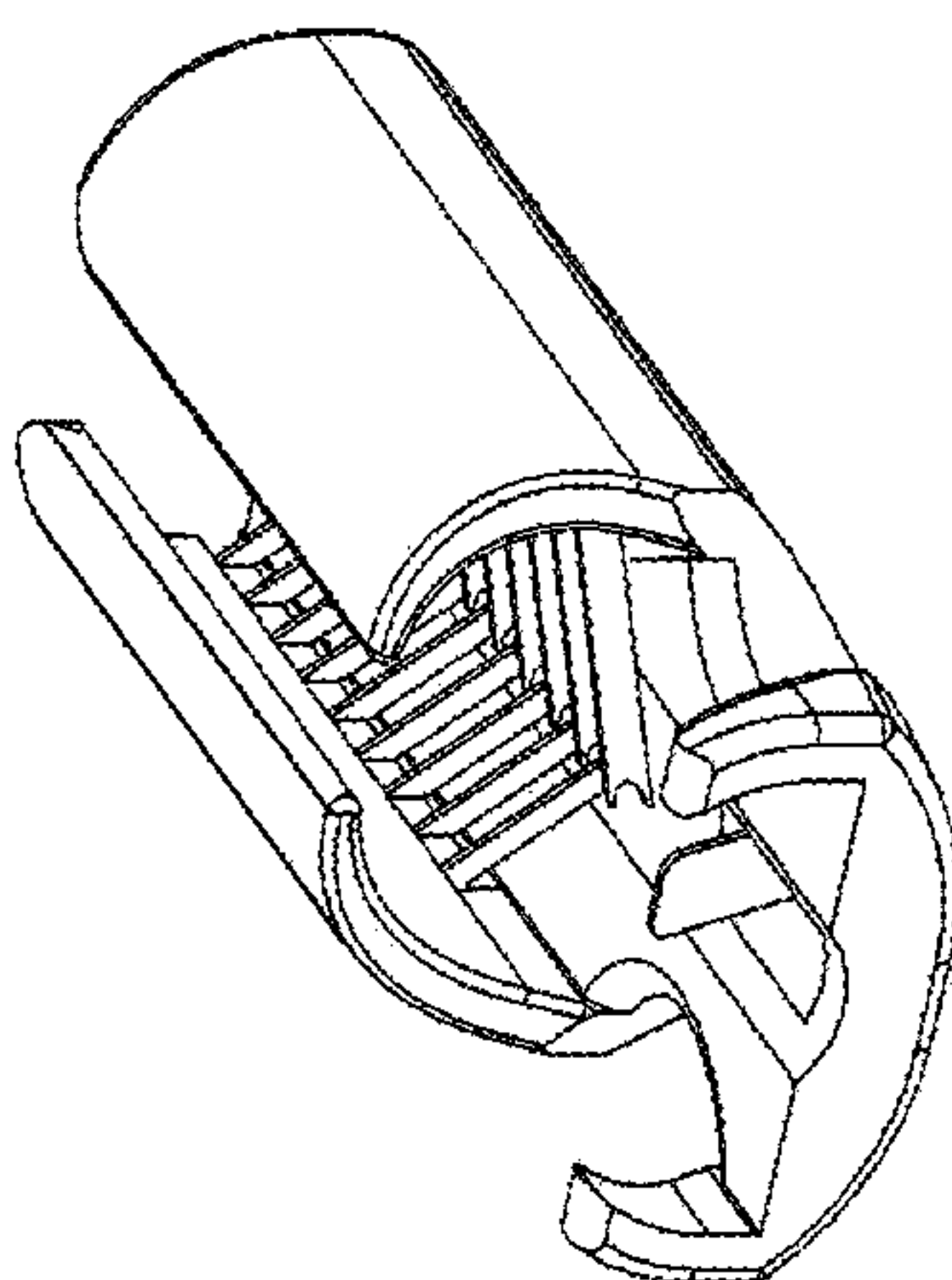
U.S. PATENT DOCUMENTS

2,324,176 A 7/1943 Smith
2,783,571 A 3/1957 Stilwell
3,357,086 A * 12/1967 Hood A01K 91/04
43/4
D231,454 S * 4/1974 Bloch 43/4
3,913,630 A 10/1975 Rubey
4,144,605 A 3/1979 Eberhardt
4,265,179 A 5/1981 Tupper et al.
4,313,236 A 2/1982 Tupper et al.
4,352,330 A 10/1982 Tupper
4,357,889 A 11/1982 Tupper
4,459,916 A 7/1984 Tupper
4,462,316 A 7/1984 Tupper
4,560,098 A 12/1985 Tupper
4,593,447 A 6/1986 Tupper
4,674,220 A 6/1987 Bearce, Jr.
D294,630 S 3/1988 Tupper
4,732,343 A 3/1988 Maruyama

DESCRIPTION

FIG. 1 is a top view of a line threader device showing our new design.
FIG. 2 is an alternative top view thereof;
FIG. 3 is a front view thereof;
FIG. 4 is a rear view thereof;
FIG. 5 is a side view, the opposite side being a mirror image thereof;
FIG. 6 is a bottom view thereof;
FIG. 7 is an alternative bottom view thereof;
FIG. 8 is a bottom perspective view thereof;
FIG. 9 is a top perspective view thereof; and,
FIG. 10 is an alternative top perspective view thereof.

1 Claim, 8 Drawing Sheets



Bottom Perspective View

(56)

References Cited

U.S. PATENT DOCUMENTS

6,625,921 B2 * 9/2003 Friederichs A01K 91/04
43/4
7,007,905 B2 3/2006 Roberts
7,716,768 B2 5/2010 Higgins
D617,866 S * 6/2010 Rustowicz D22/149
7,793,458 B2 * 9/2010 Eisbrenner A01K 87/007
43/4
7,793,459 B1 9/2010 Ruzika
9,084,414 B1 7/2015 Fender
2001/0039754 A1 11/2001 Friederichs, III
2009/0241407 A1 10/2009 Eisbrenner

FOREIGN PATENT DOCUMENTS

GB 2108578 5/1983
GB 2130157 5/1984

OTHER PUBLICATIONS

Fuji, Speed Threader, 2016, 1 pg., <http://anglersresource.net/SpeedThreader.aspx>.

* cited by examiner

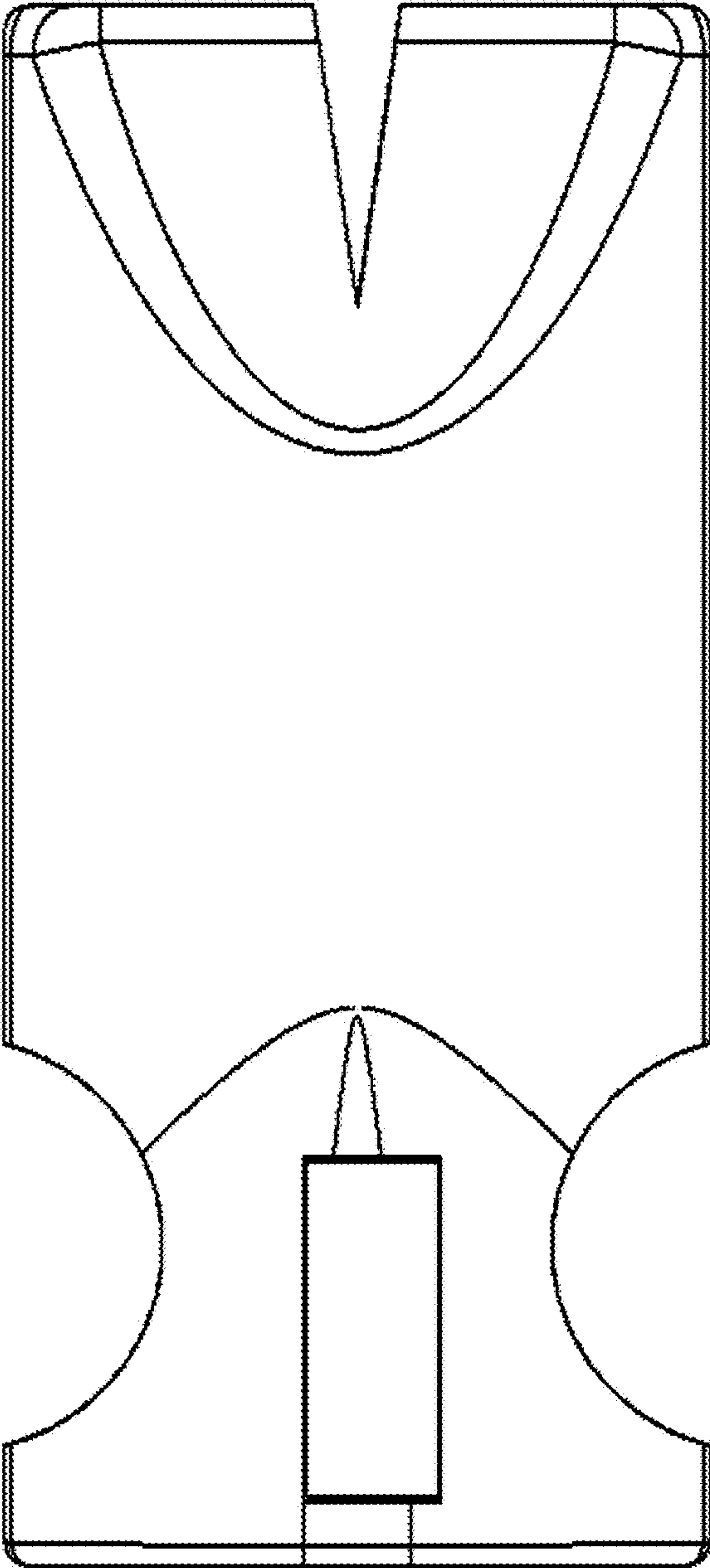


Figure 1

Top View

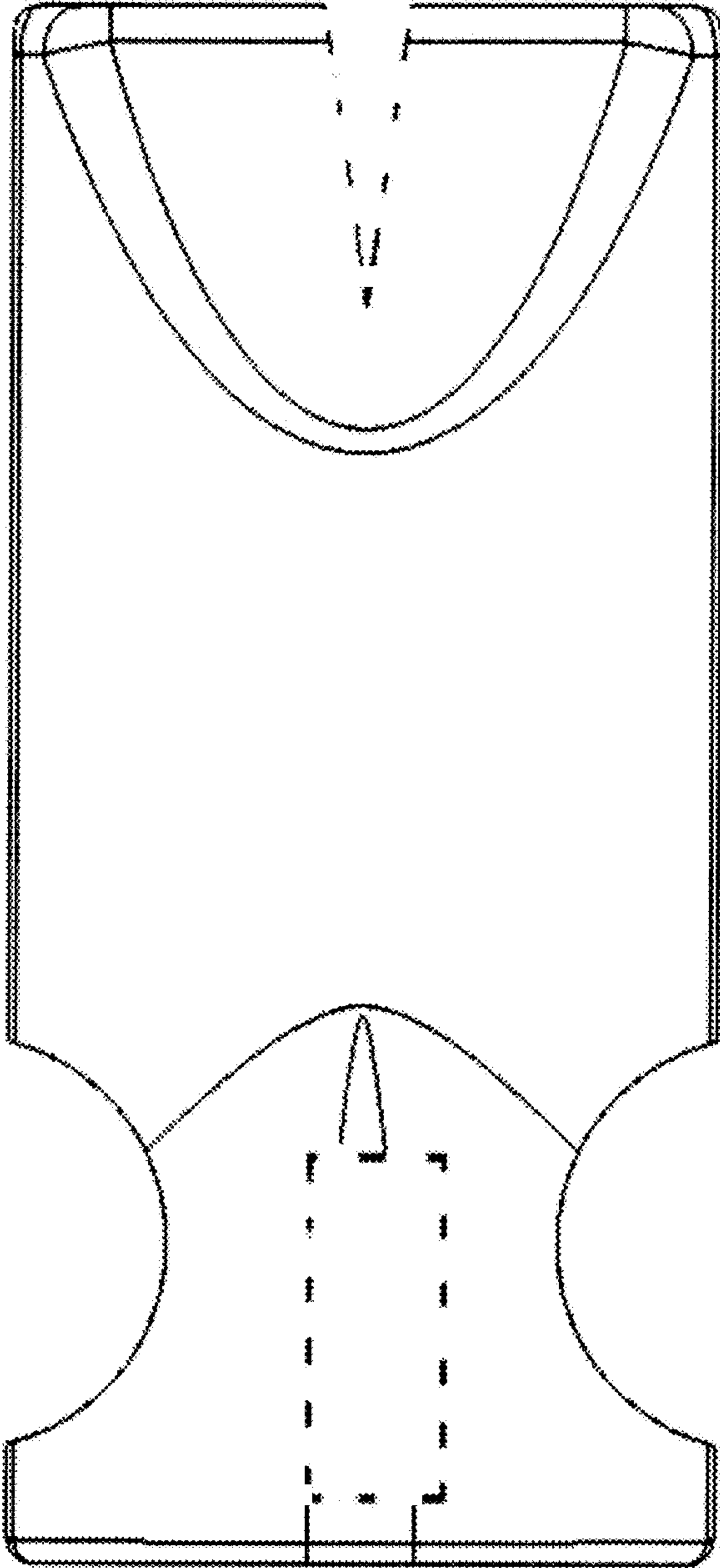


Figure 2

Top View

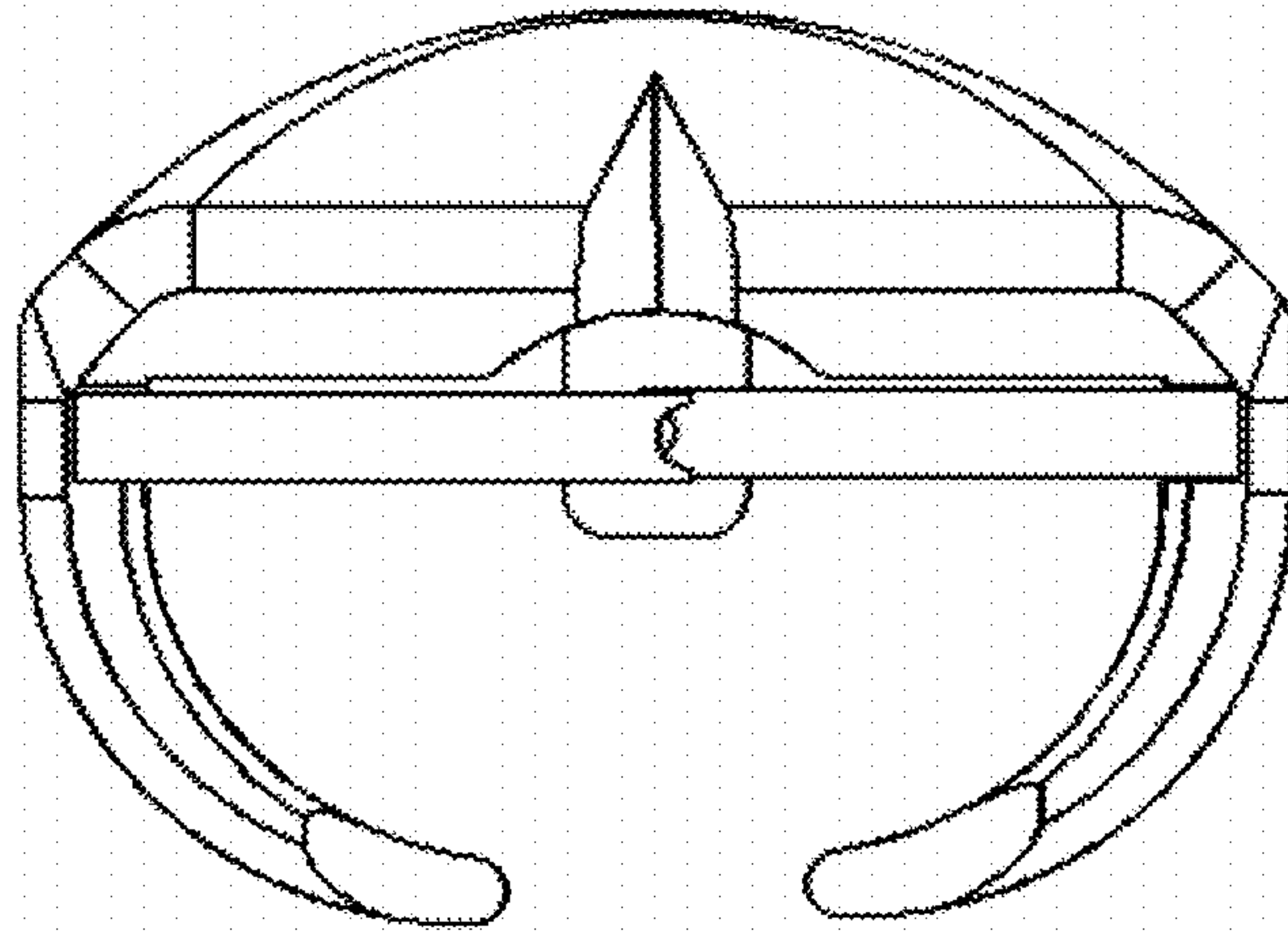


Figure 3

Front View

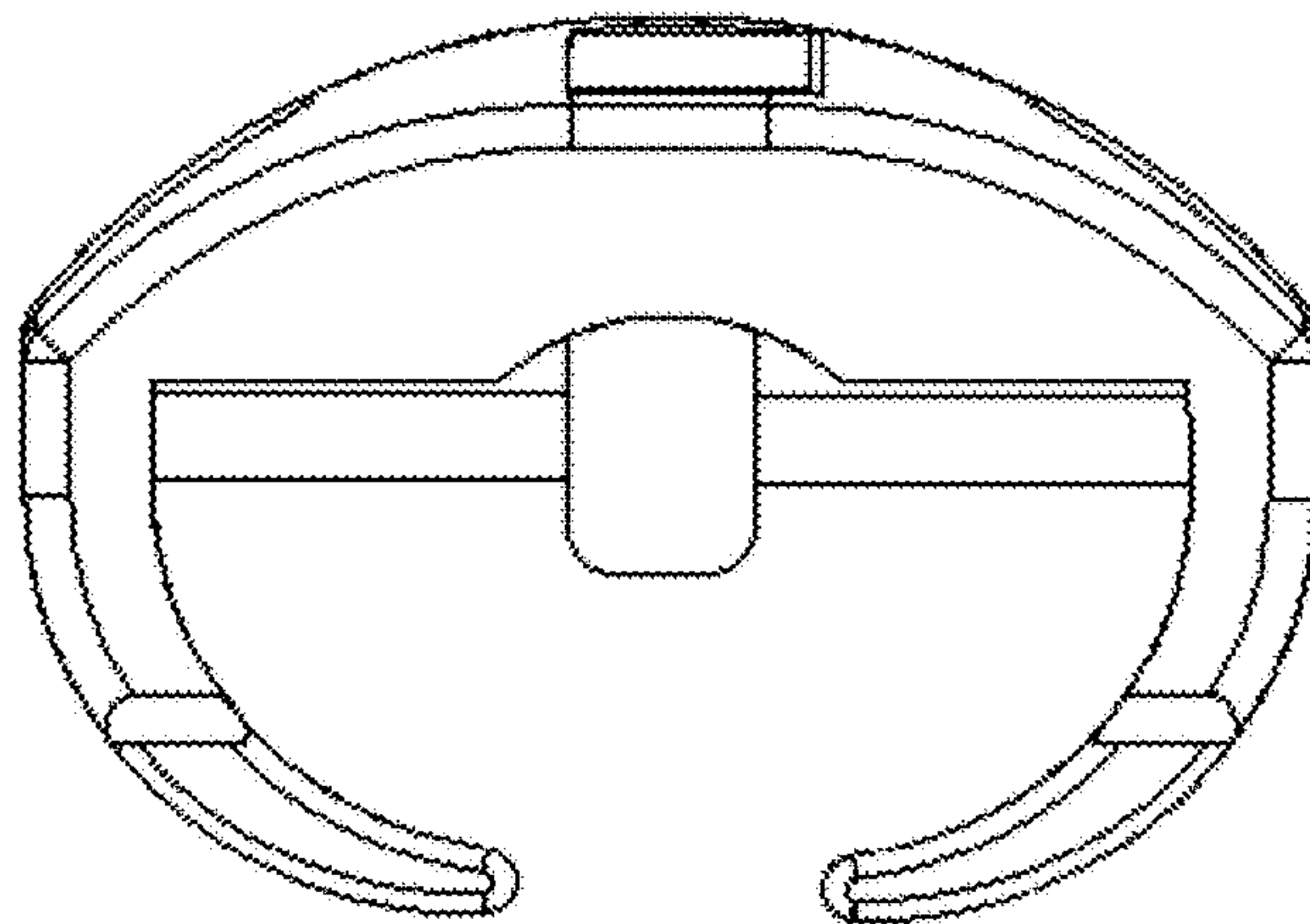


Figure 4

Rear View

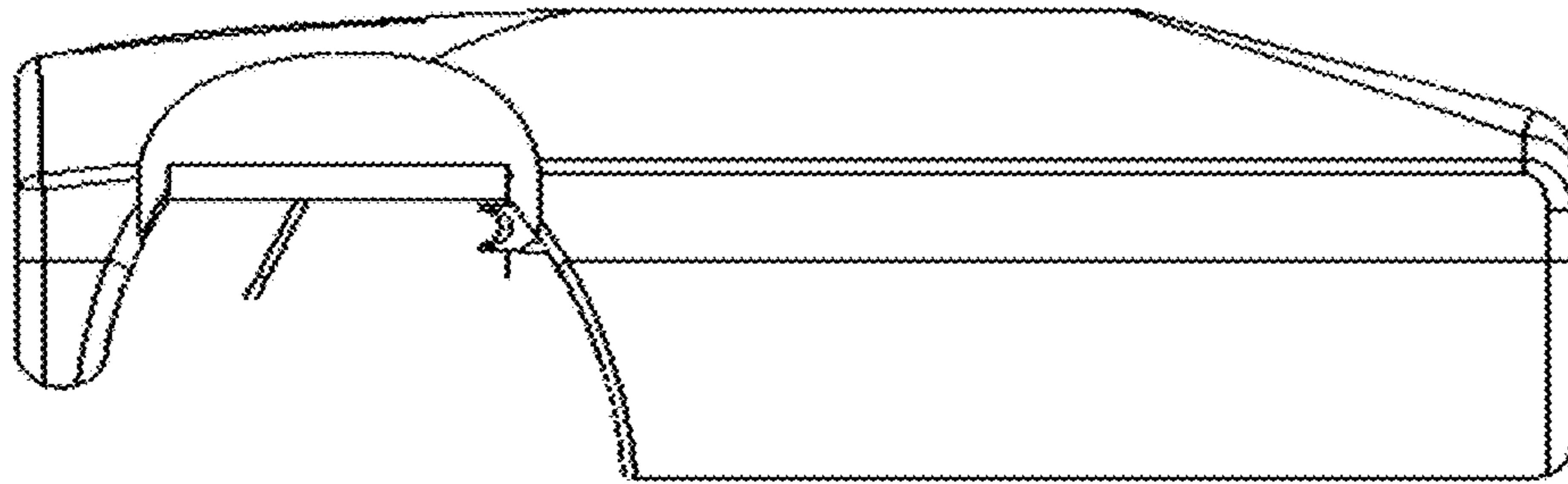


Figure 5

Side View, the opposite side being a mirror image thereof

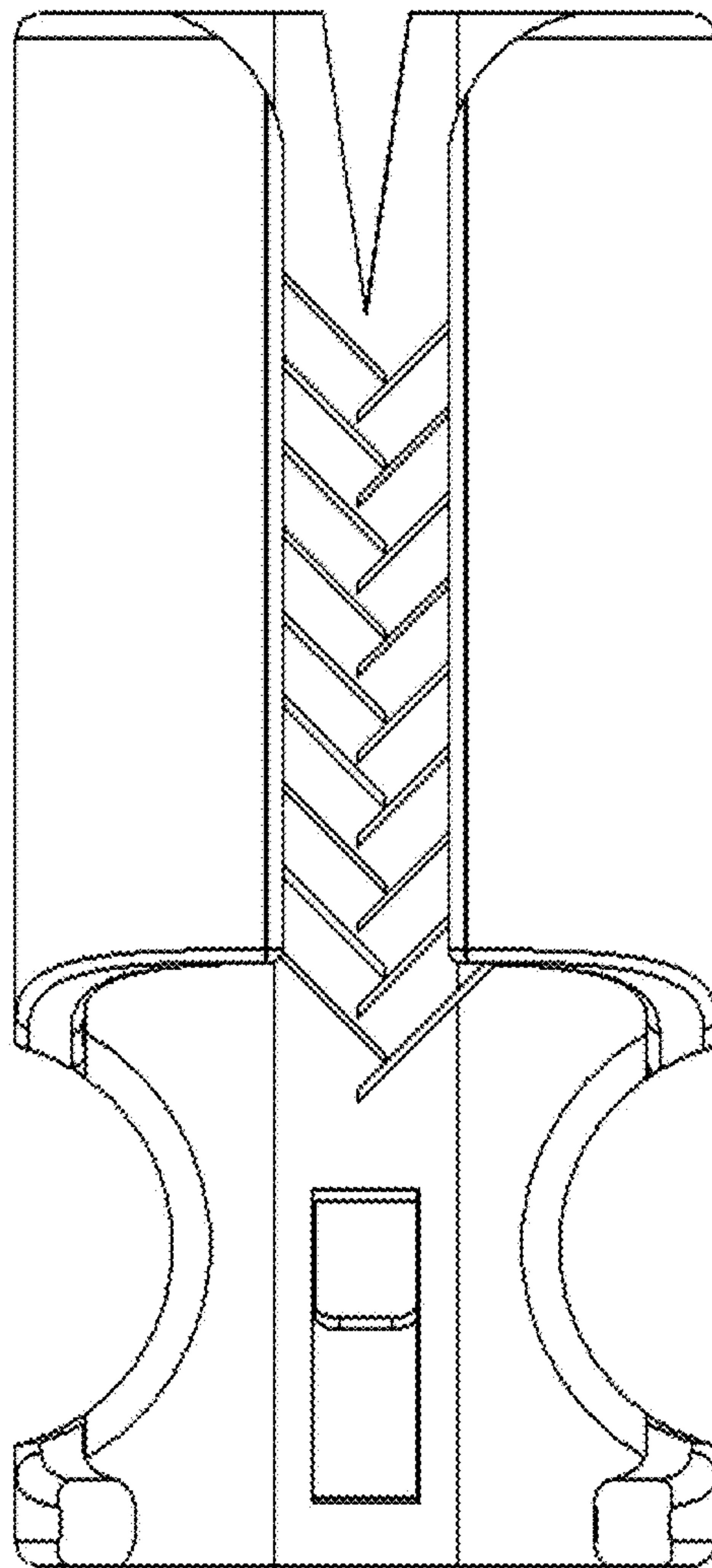


Figure 6

Bottom View

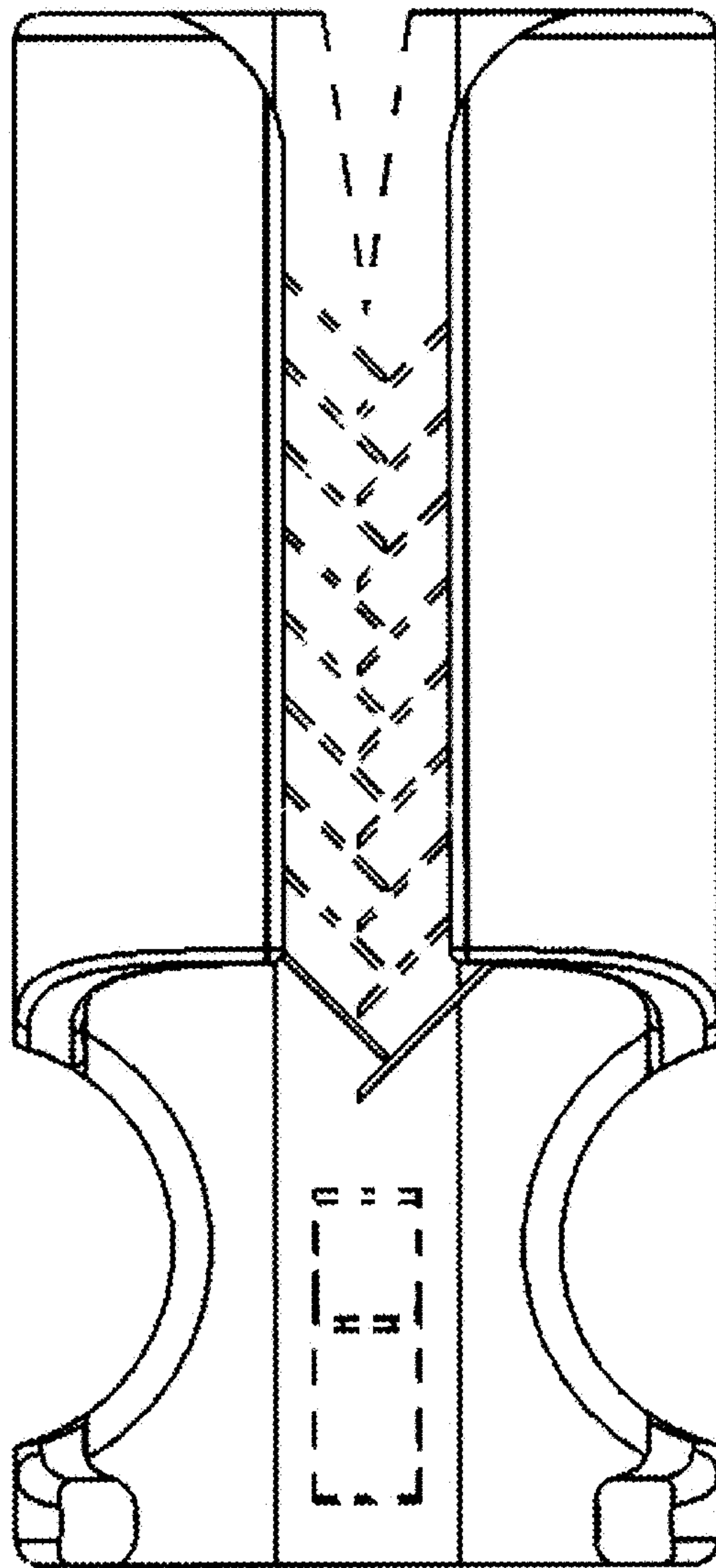


Figure 7
Bottom View

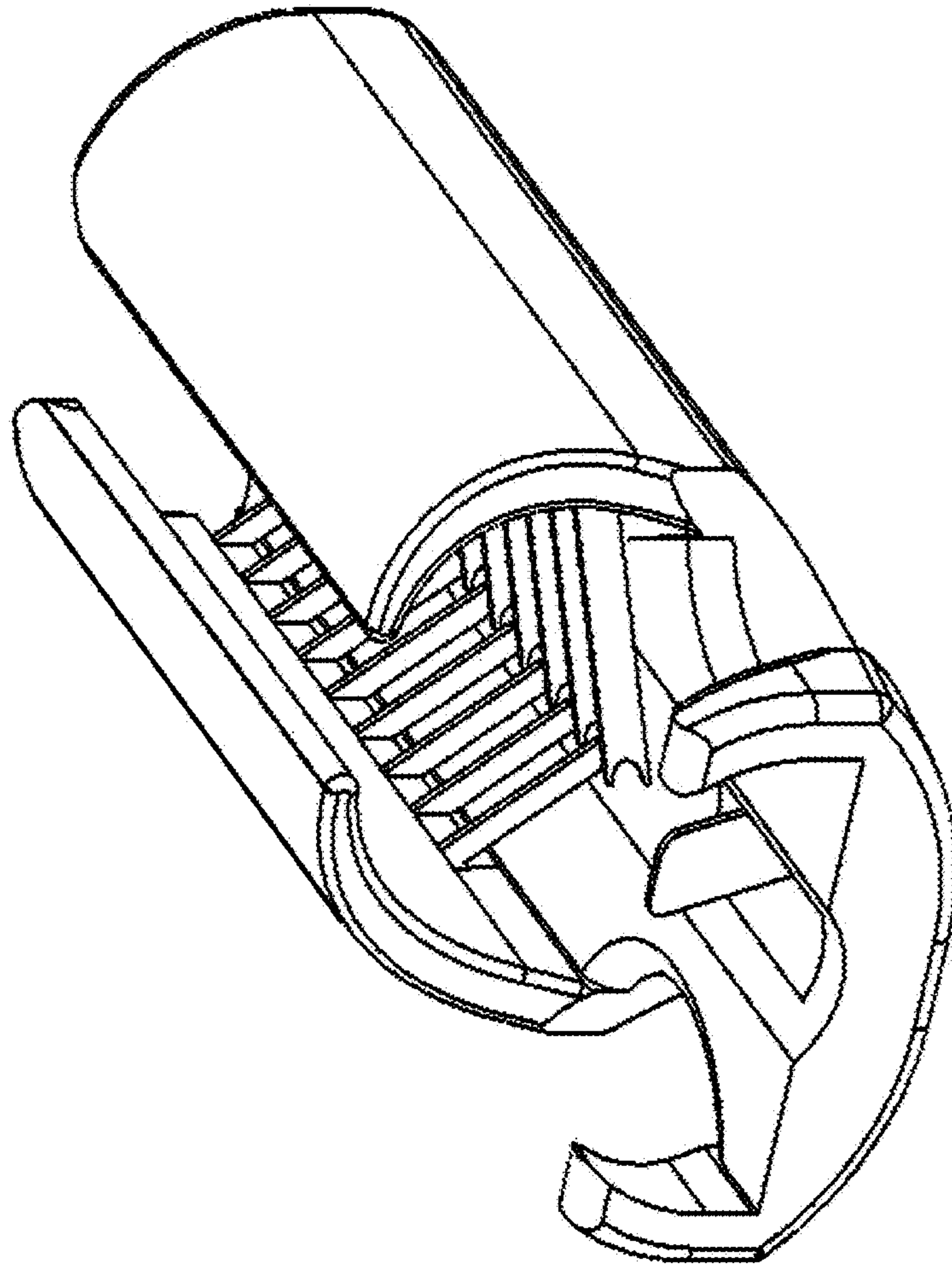


Figure 8

Bottom Perspective View

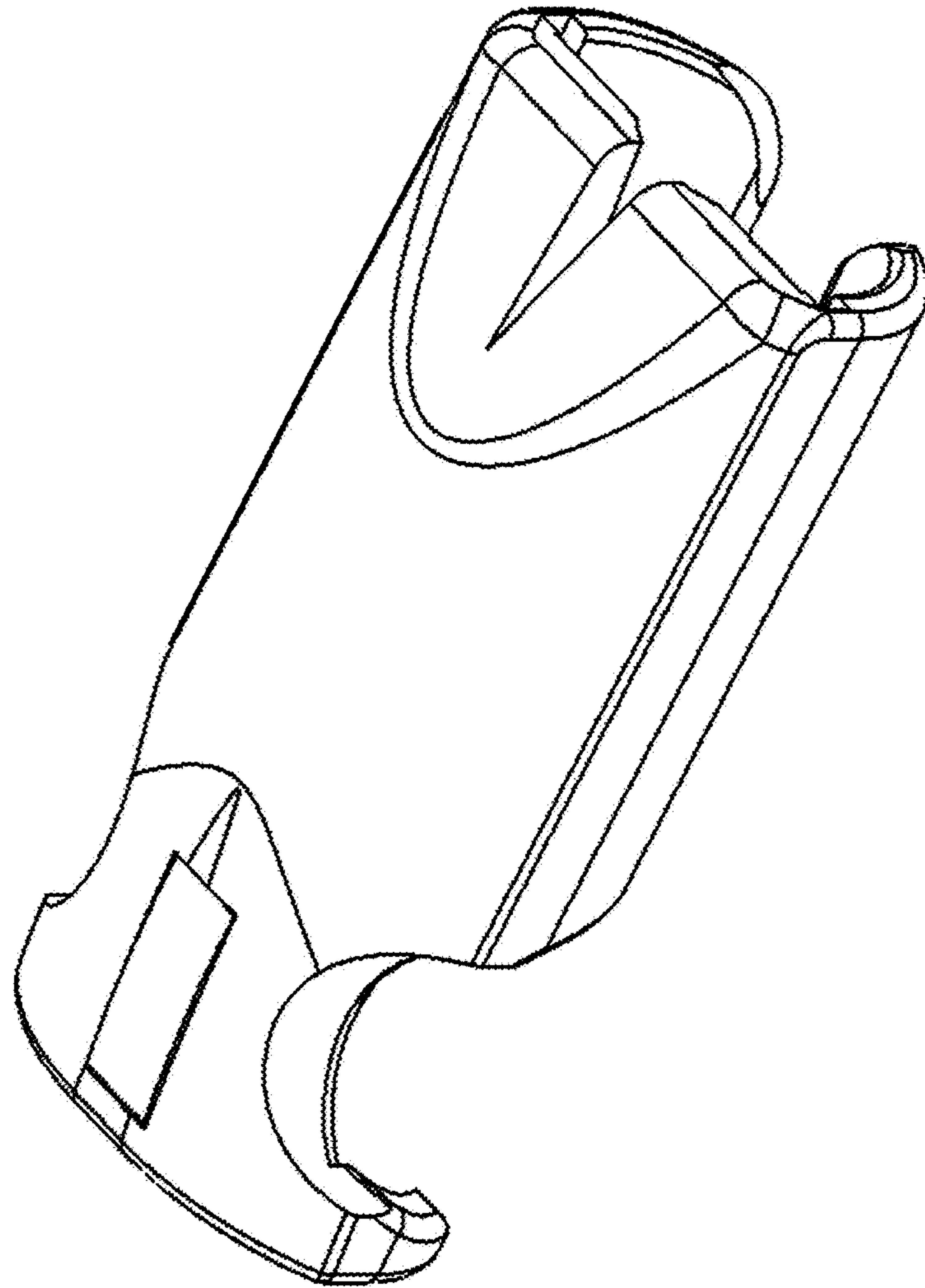


Figure 9

Top Perspective View

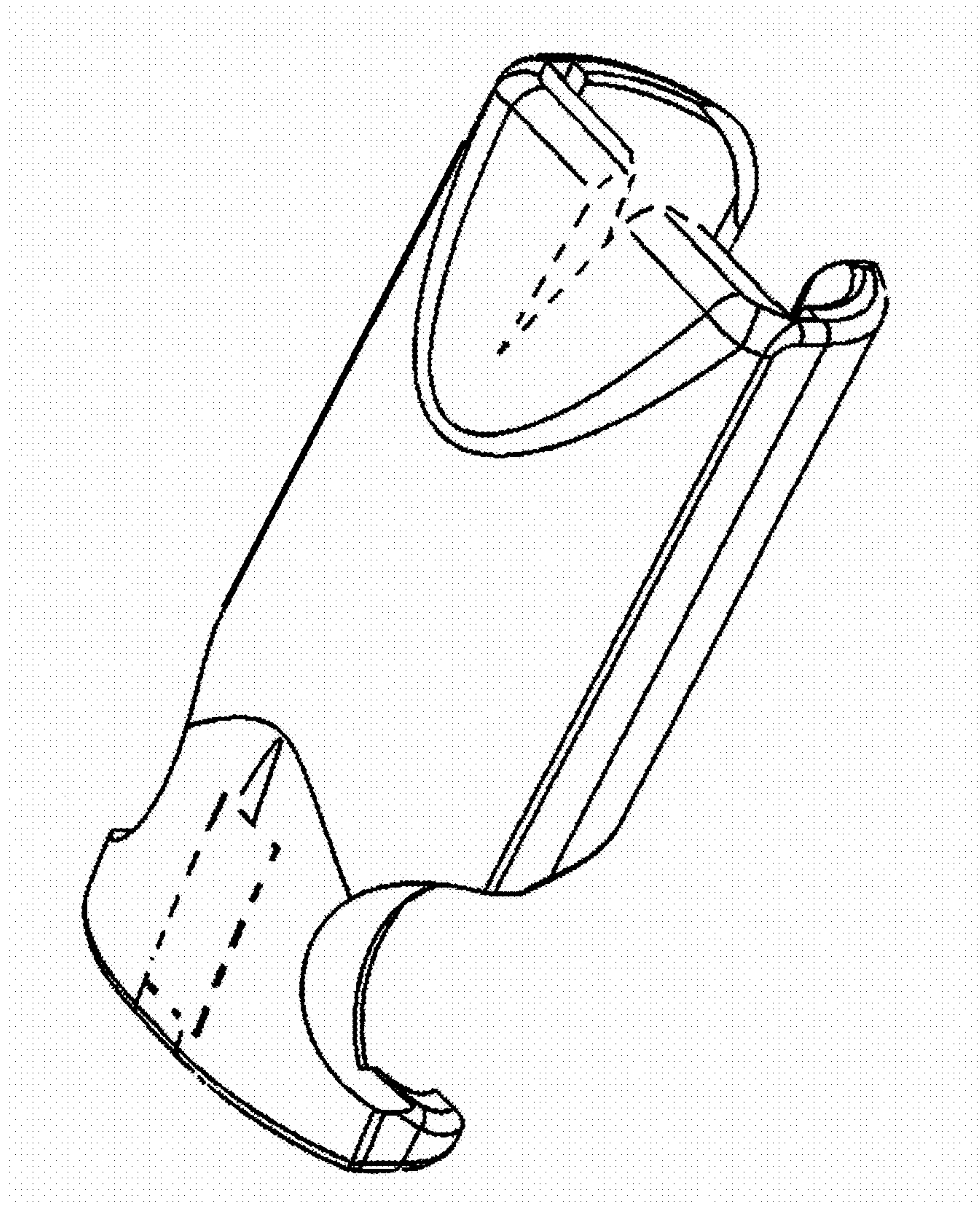


Figure 10

Top Perspective View