



US00D820944S

(12) **United States Design Patent**
Lebedev

(10) **Patent No.:** **US D820,944 S**
(45) **Date of Patent:** **** Jun. 19, 2018**

- (54) **DIGITAL FISHING NET SCALE**
- (71) Applicant: **Alexander Lebedev**, Seattle, WA (US)
- (72) Inventor: **Alexander Lebedev**, Seattle, WA (US)
- (**) Term: **15 Years**
- (21) Appl. No.: **29/606,714**
- (22) Filed: **Jun. 7, 2017**
- (51) **LOC (11) Cl.** **22-05**
- (52) **U.S. Cl.**
USPC **D22/135**
- (58) **Field of Classification Search**
USPC D22/135; 43/4.5, 7, 11; 177/131, 245
CPC A01K 77/00; A01K 97/00; G01G 19/60
See application file for complete search history.

6,094,996 A * 8/2000 Campbell G01G 19/60
177/245
6,615,532 B2 * 9/2003 Abel A01K 77/00
43/7
8,431,838 B2 * 4/2013 Bond G01G 19/60
177/131

* cited by examiner

Primary Examiner — Catherine R Oliver-Garcia
(74) *Attorney, Agent, or Firm* — James M. Smedley LLC;
James Michael Smedley, Esq.

(57) **CLAIM**

I claim the ornamental design for a digital fishing net scale, as shown and described.

DESCRIPTION

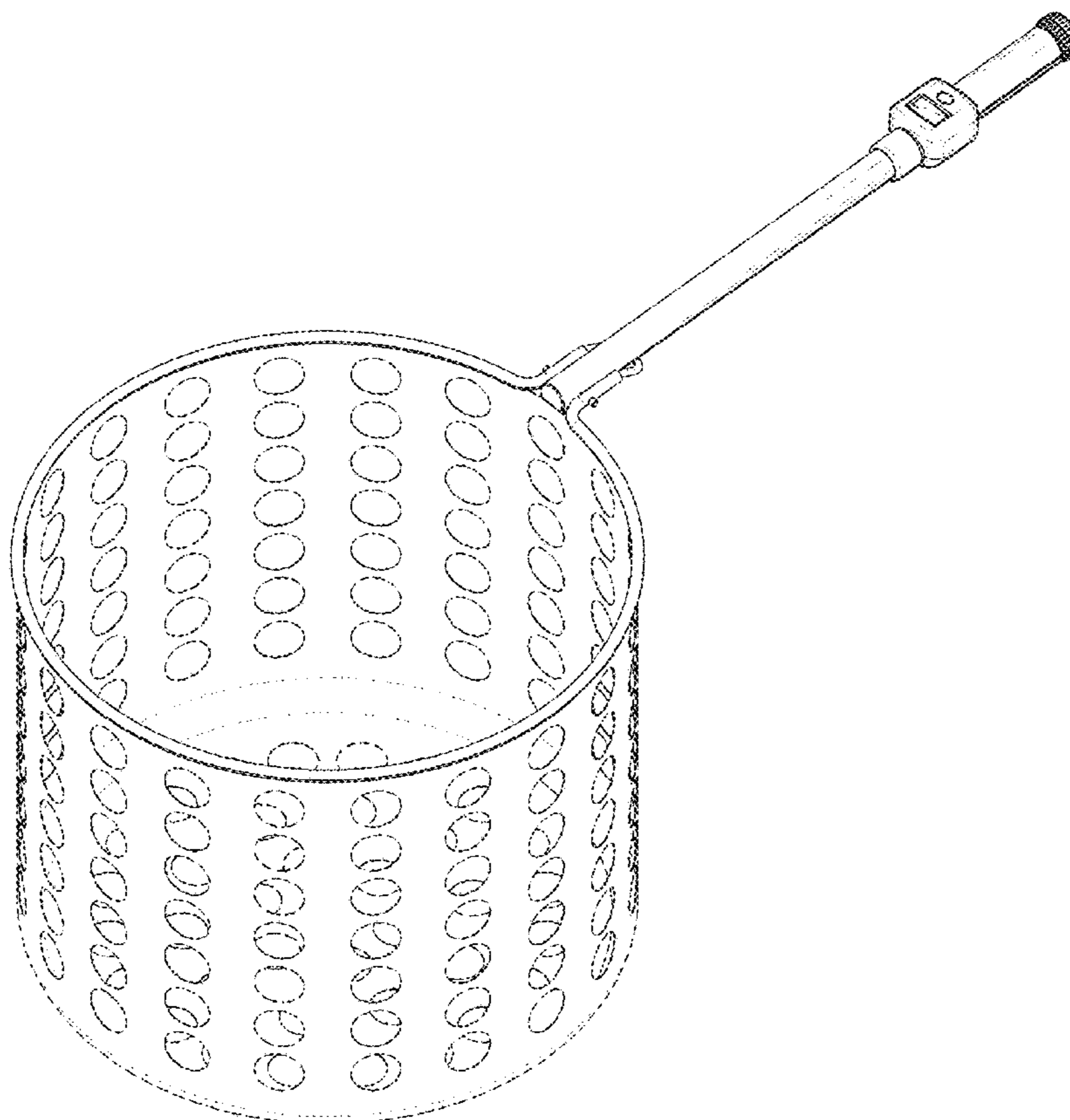
FIG. 1 is a perspective view showing the new design.
 FIG. 2 is a front view showing the new design.
 FIG. 3 is a rear view showing the new design.
 FIG. 4 is a top view showing the new design.
 FIG. 5 is a bottom view showing the new design; and,
 FIG. 6 is a side view showing the new design with the opposite side being a mirror image.
 The broken lines depict environmental structure and are included for the purpose of illustrating only and form no part of the claimed design.

(56) **References Cited**

U.S. PATENT DOCUMENTS

- 2,633,351 A * 3/1953 Fowle A01K 77/00
177/131
- 3,223,189 A * 12/1965 Robbins A01K 77/00
177/131
- 4,631,851 A * 12/1986 Whitehurst A01K 97/00
43/11
- D391,620 S * 3/1998 Lucas D22/135

1 Claim, 3 Drawing Sheets



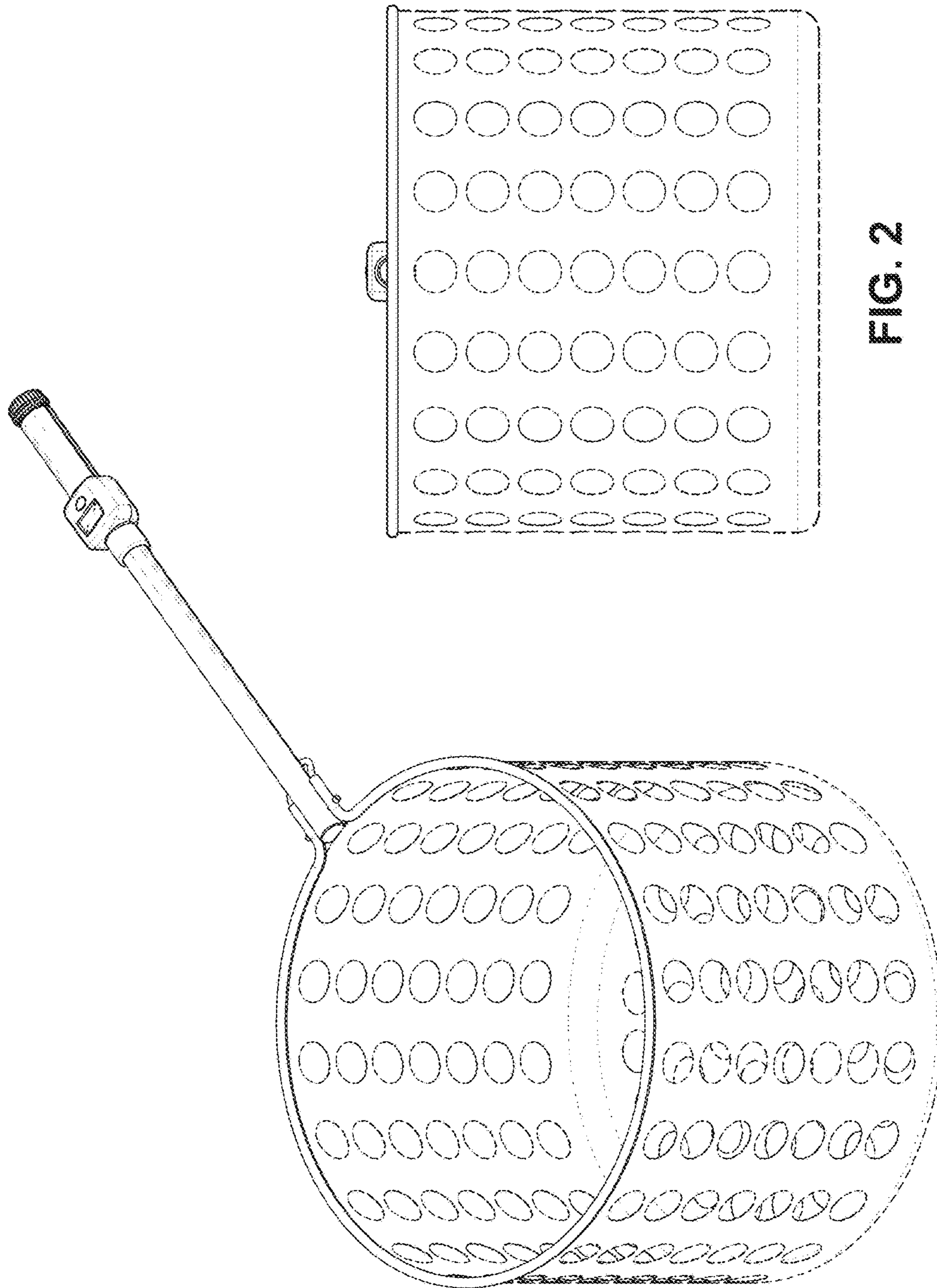


FIG. 1

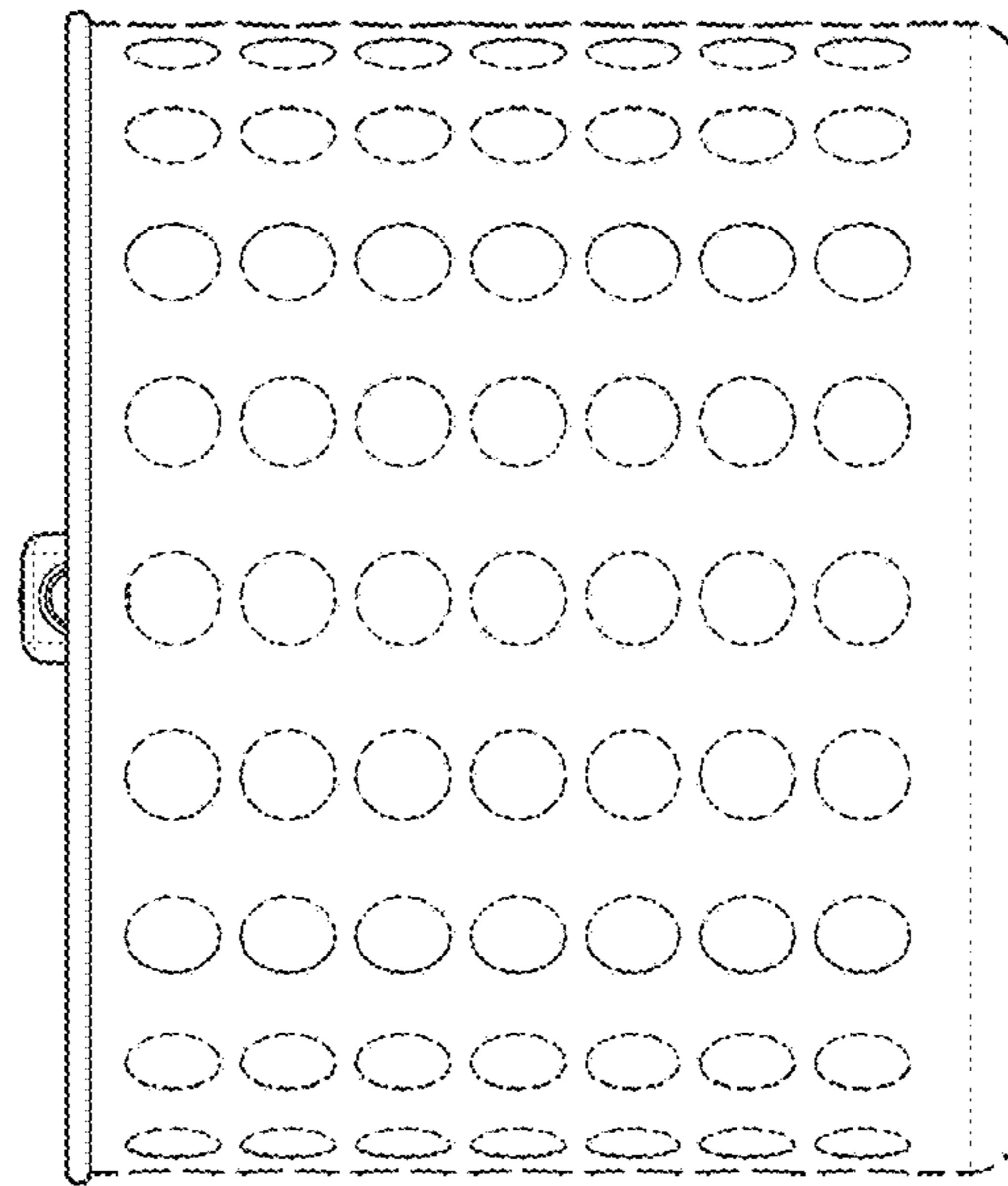


FIG. 2

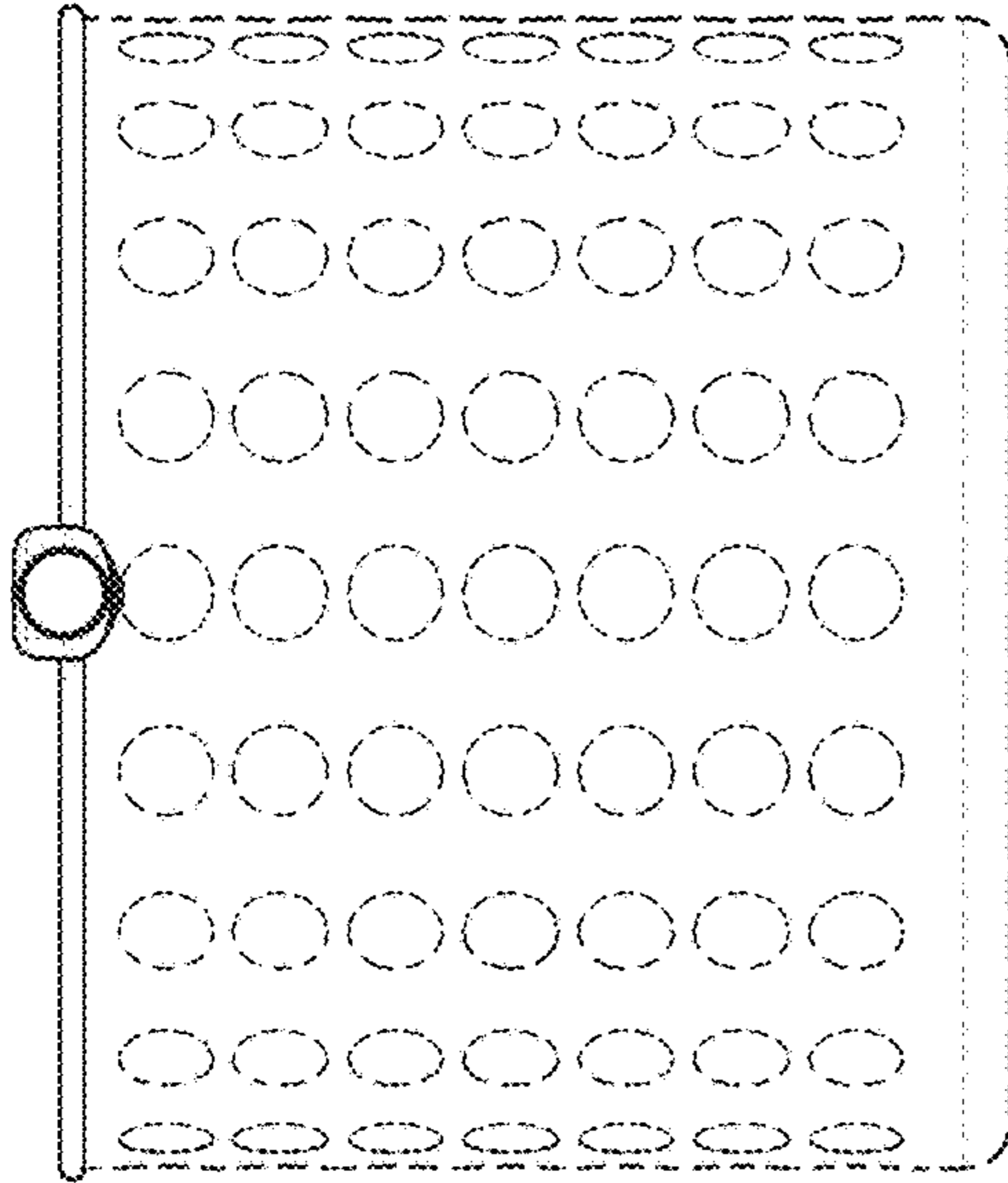


FIG. 3

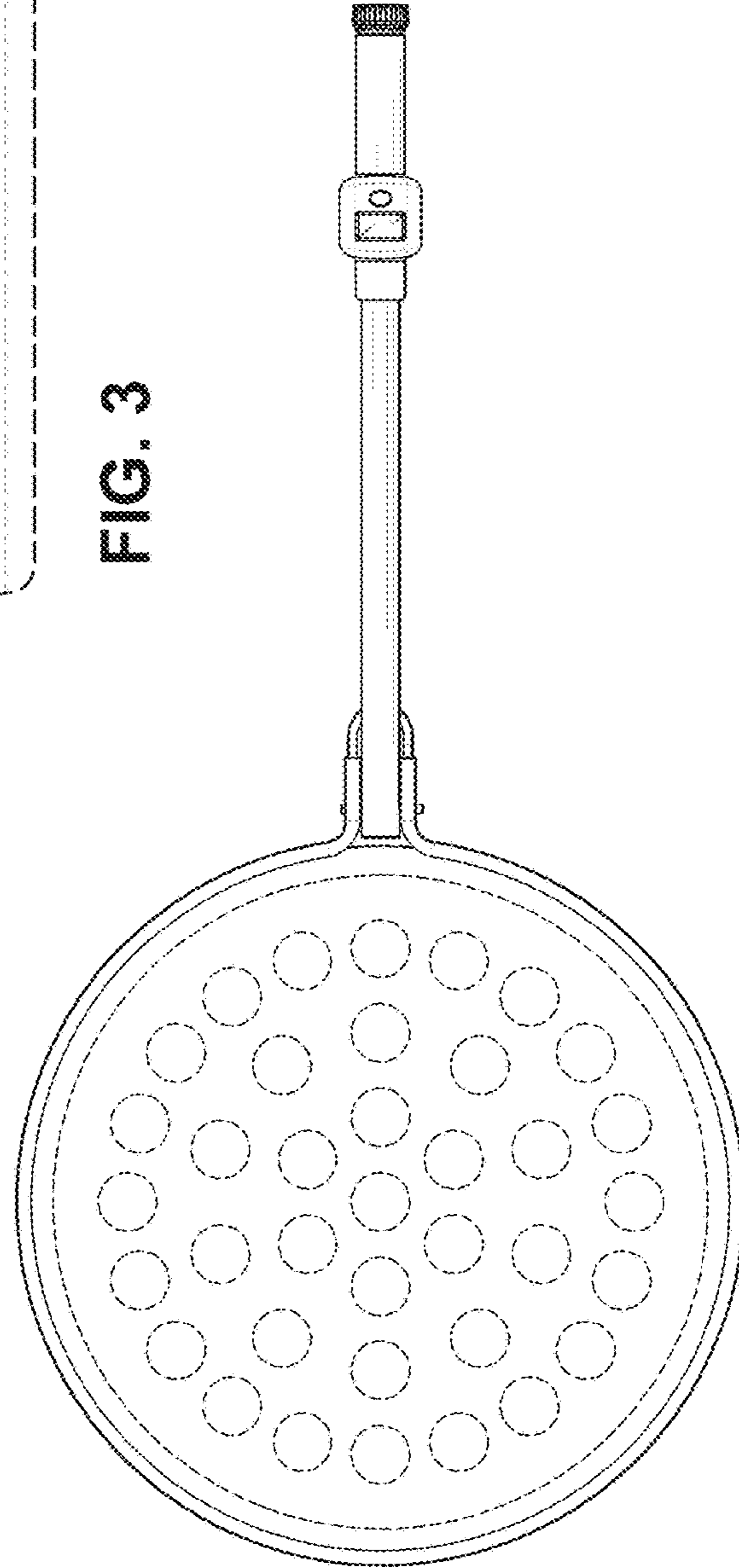


FIG. 4

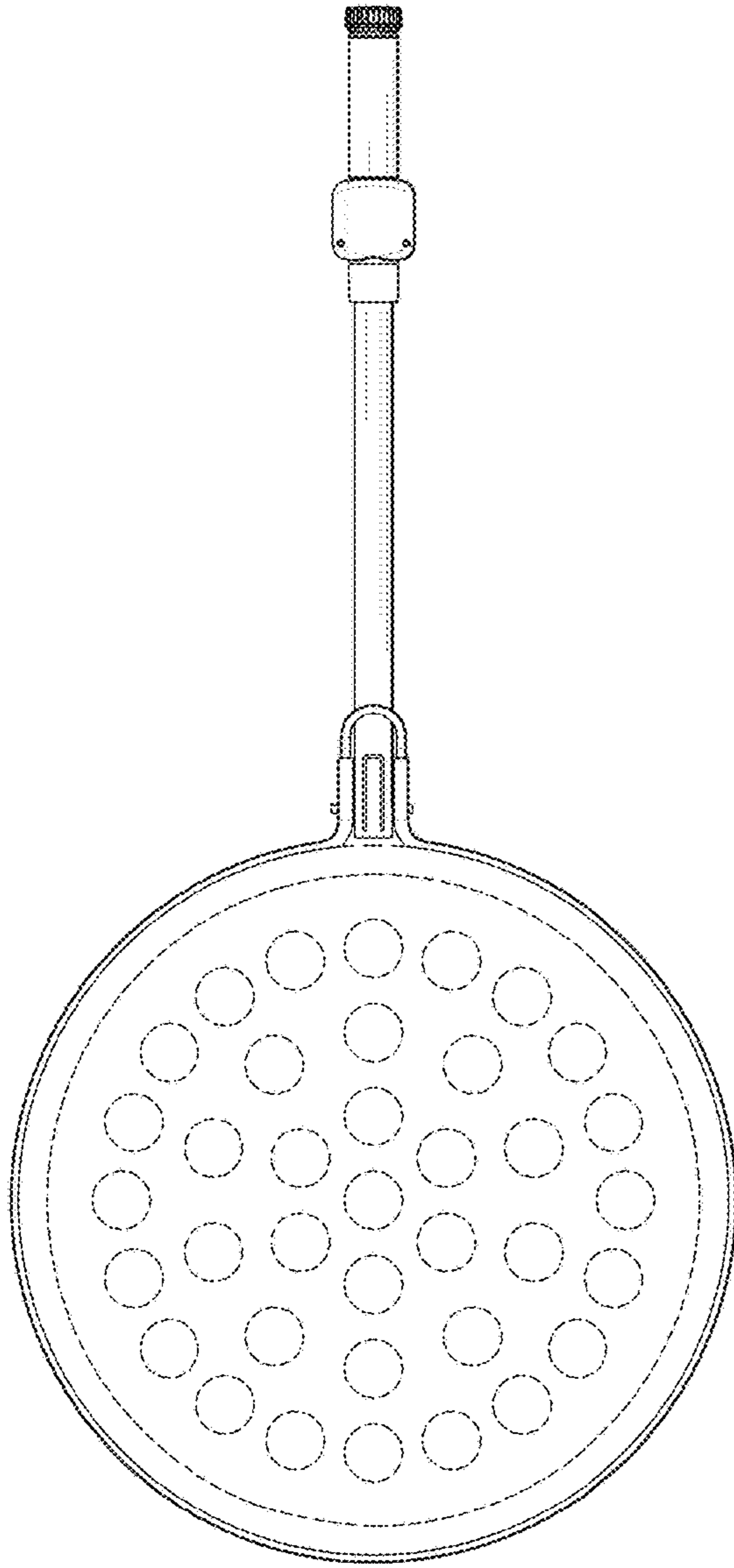


FIG. 5

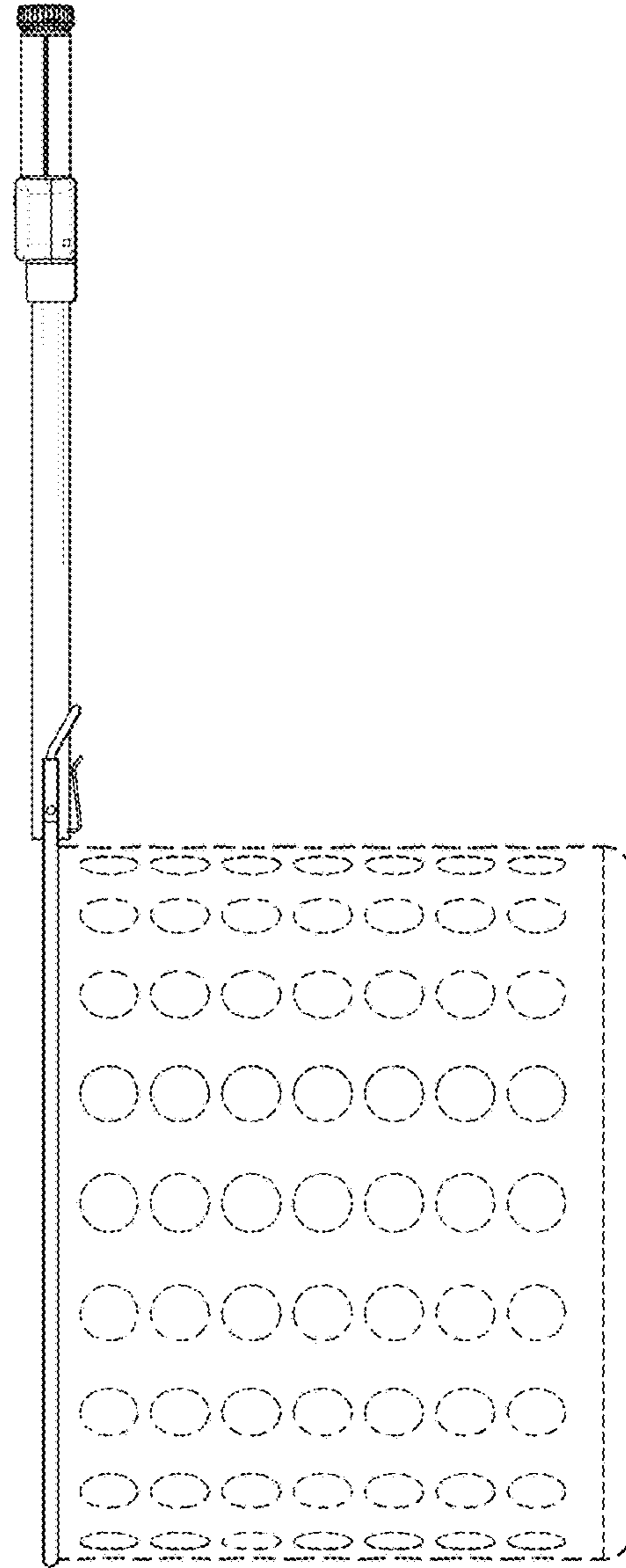


FIG. 6