



US00D820943S

(12) **United States Design Patent**  
**Bartness**

(10) **Patent No.:** **US D820,943 S**  
(45) **Date of Patent:** **\*\* Jun. 19, 2018**

(54) **COILED SLIDING DUO-LOCK SNAP**

1,580,664 A \* 4/1926 Graif, Jr. .... F16B 45/02  
24/601.1  
3,277,549 A \* 10/1966 Bradshaw ..... A01K 91/04  
24/601.1  
3,335,472 A \* 8/1967 Imai ..... A01K 91/04  
24/601.1  
D760,342 S \* 6/2016 Kim ..... D22/134

(71) Applicant: **Osborne Gene Bartness**, Brooklyn  
Park, MN (US)

(72) Inventor: **Osborne Gene Bartness**, Brooklyn  
Park, MN (US)

(\*\*) Term: **15 Years**

\* cited by examiner

(21) Appl. No.: **29/621,370**

*Primary Examiner* — Catherine R Oliver-Garcia

(22) Filed: **Oct. 6, 2017**

(51) **LOC (11) Cl.** ..... **22-05**

(52) **U.S. Cl.**  
USPC ..... **D22/134**

(58) **Field of Classification Search**  
USPC .... D22/134, 149–150, 199; 24/601.1, 601.3,  
24/131 R; 43/9.8, 15, 25.2, 34, 42.05,  
43/42.49, 44.84, 44.85, 44.92  
CPC ..... A01K 91/04; A01K 91/053; F16B 45/00;  
F16B 45/02  
See application file for complete search history.

(57) **CLAIM**

The ornamental design for a coiled sliding duo-lock snap, as shown and described.

**DESCRIPTION**

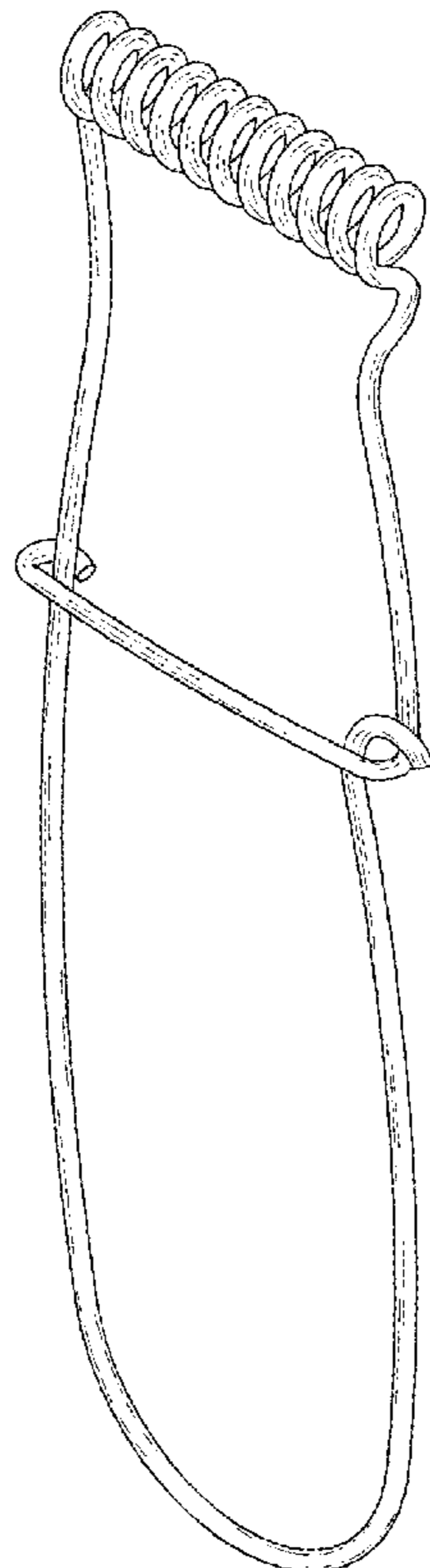
FIG. 1 is a front-top perspective view of a coiled sliding duo-lock snap showing my new design;  
FIG. 2 is a rear-bottom perspective view thereof;  
FIG. 3 is a front view thereof;  
FIG. 4 is a rear view thereof;  
FIG. 5 is a top view thereof;  
FIG. 6 is a bottom view thereof;  
FIG. 7 is a right view thereof; and,  
FIG. 8 is a left view thereof.

(56) **References Cited**

U.S. PATENT DOCUMENTS

472,962 A \* 12/1892 Collins ..... F16B 45/02  
24/601.1  
547,444 A \* 10/1895 Morris ..... F16B 45/02  
24/601.1

**1 Claim, 8 Drawing Sheets**



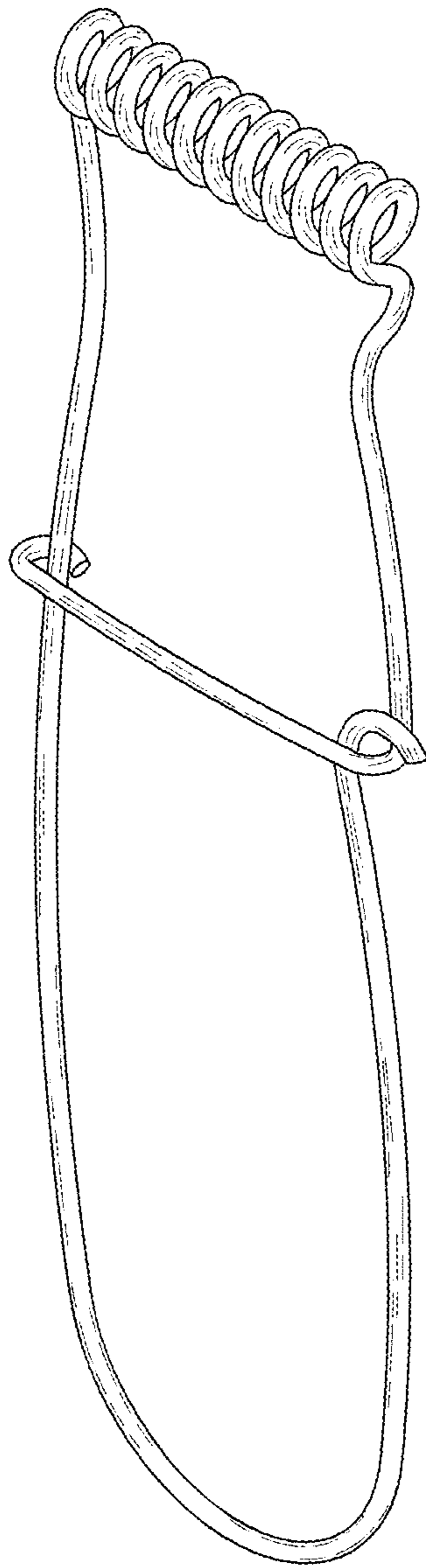


FIG. 1

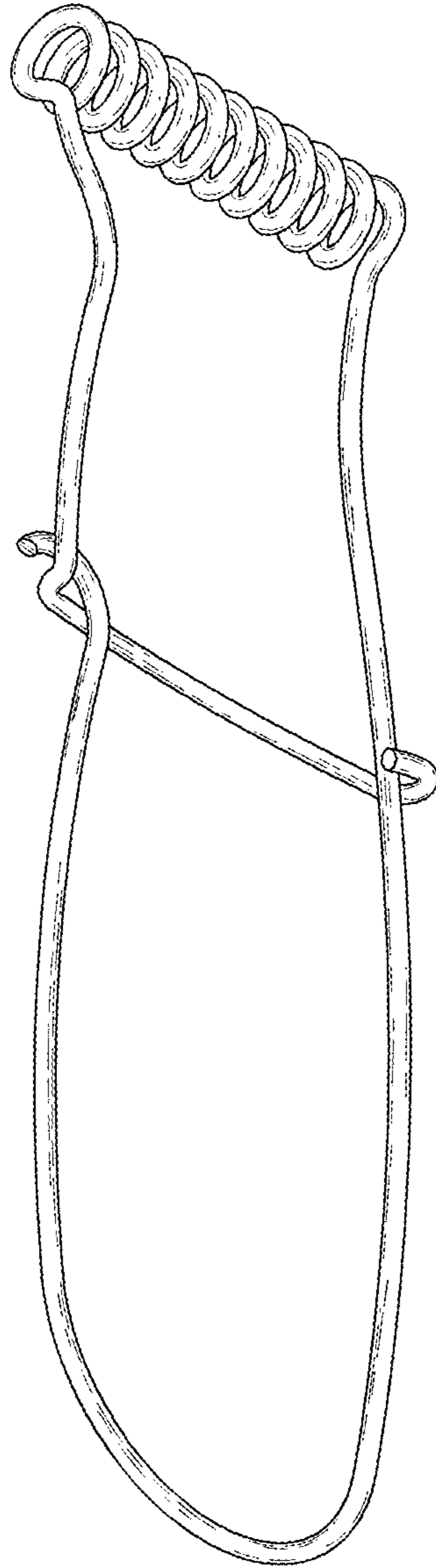


FIG. 2

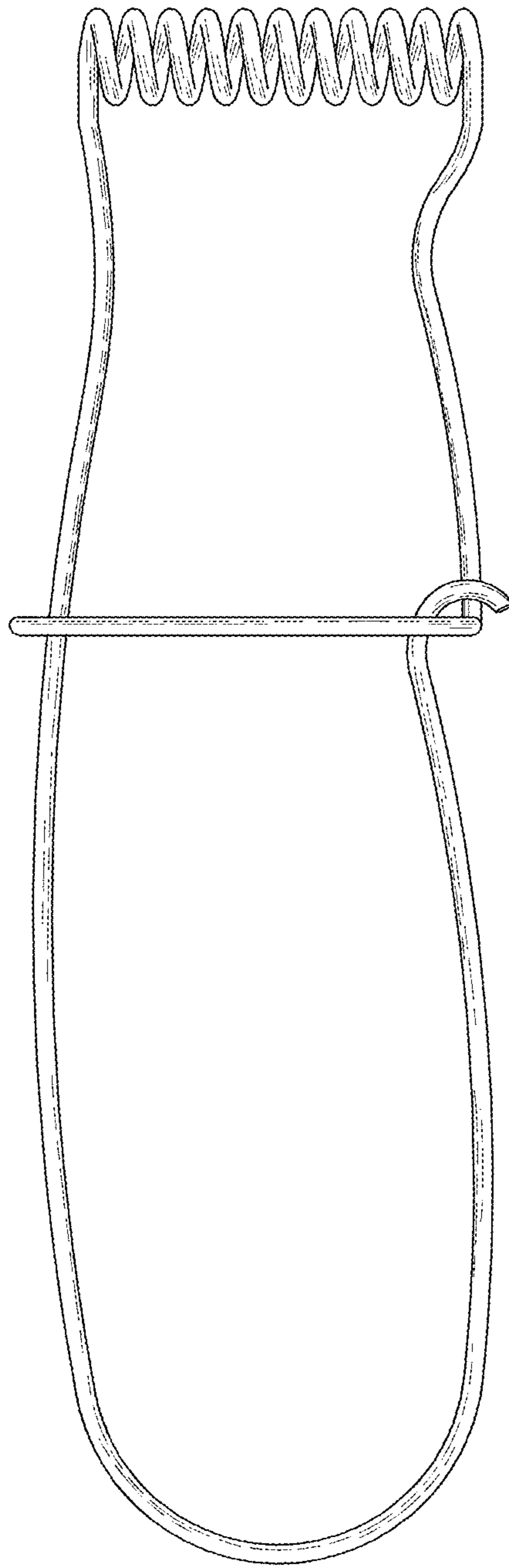


FIG. 3

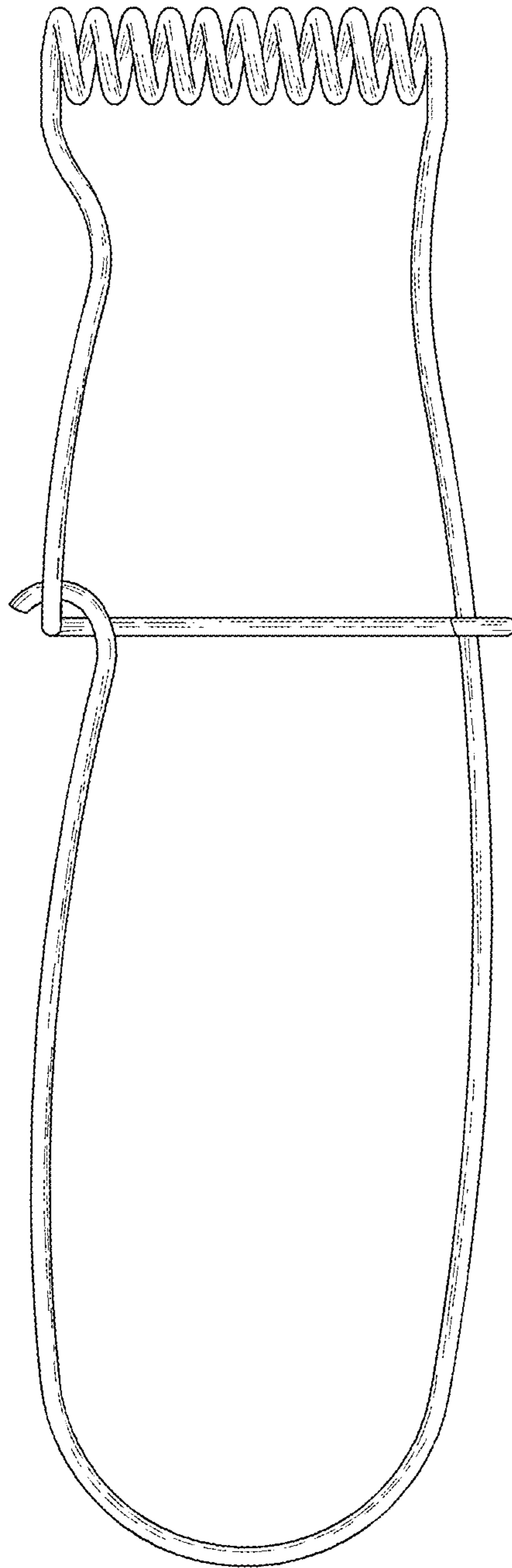


FIG. 4

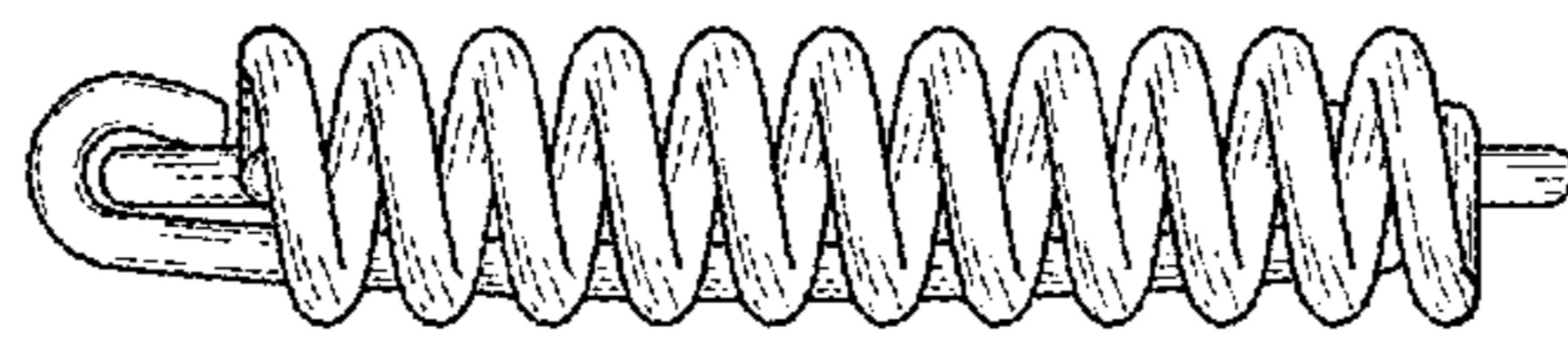


FIG. 5

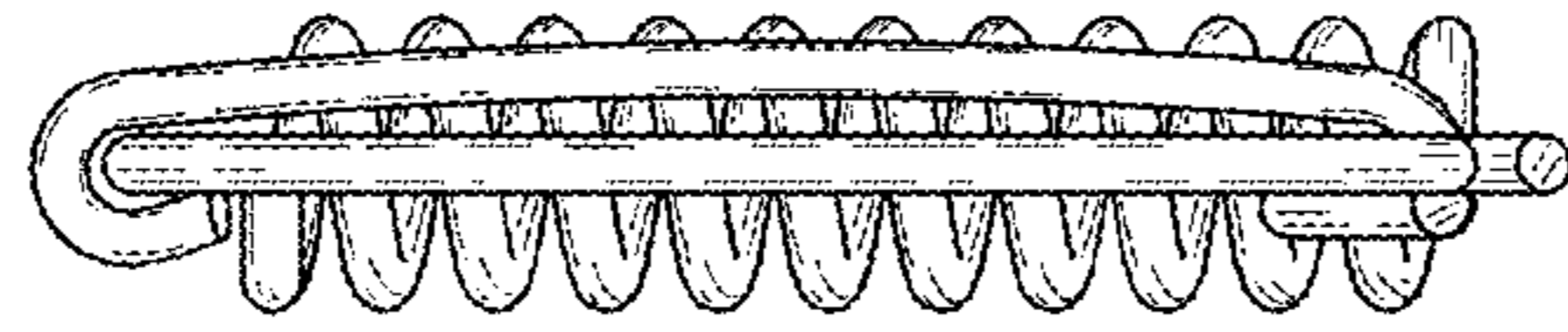


FIG. 6

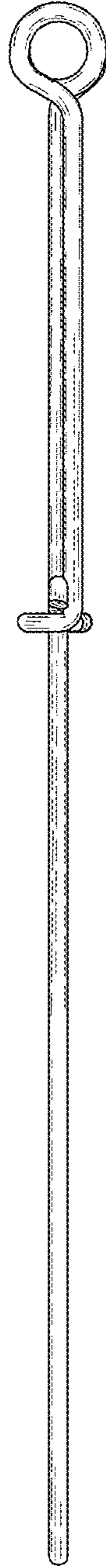


FIG. 7



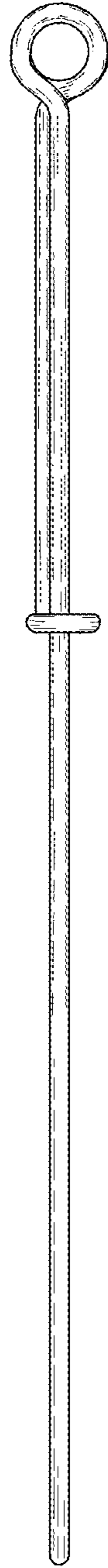


FIG. 8