



US00D820938S

(12) **United States Design Patent**
Pittman

(10) **Patent No.:** **US D820,938 S**
(45) **Date of Patent:** **** Jun. 19, 2018**

(54) **LIGHT MOUNT**

(71) Applicant: **Impact Weapons Components, LLC,**
Timnath, CO (US)

(72) Inventor: **Earl L. Pittman,** Fort Collins, CO (US)

(73) Assignee: **Impact Weapons Components, LLC,**
Timnath, CO (US)

(**) Term: **15 Years**

(21) Appl. No.: **29/560,310**

(22) Filed: **Apr. 5, 2016**

Related U.S. Application Data

(60) Continuation of application No. 29/501,950, filed on
Sep. 10, 2014, now Pat. No. Des. 757,205, which is
a division of application No. 29/407,155, filed on
Nov. 23, 2011, now Pat. No. Des. 715,886.

(51) **LOC (11) Cl.** **22-01**

(52) **U.S. Cl.**
USPC **D22/109**

(58) **Field of Classification Search**
USPC D22/108-109; D26/24-27, 38, 40, 42,
D26/46-47, 51, 60, 113, 118, 130-133,
D26/136
CPC F41G 1/35; F41G 1/345
See application file for complete search history.

(56) **References Cited**

U.S. PATENT DOCUMENTS

3,424,420 A	1/1969	Seiderman
3,877,166 A	4/1975	Ward
5,040,322 A	8/1991	Iturrey, Jr.
5,375,361 A	12/1994	Rustick
5,694,712 A	12/1997	Plonka
7,134,234 B1	11/2006	Makarounis
7,441,364 B2	10/2008	Rogers et al.
7,562,484 B2	7/2009	Kim

7,882,654 B1	2/2011	Marcum	
8,171,666 B2	5/2012	Karagias	
8,220,946 B1	7/2012	Teetzel	
8,312,668 B2	11/2012	Kinzel	
8,316,574 B1	11/2012	Swan	
D673,638 S	1/2013	Mayberry et al.	
8,484,879 B2	7/2013	Riley et al.	
8,572,885 B2	11/2013	Karagias	
8,925,236 B1	1/2015	Mayberry	
D750,191 S *	2/2016	Pittman	D22/108

(Continued)

OTHER PUBLICATIONS

Requirement for Restriction/Election for U.S. Design Pat. No.
D715,886 mailed Feb. 21, 2014.

(Continued)

Primary Examiner — Michael A. Pratt

(74) *Attorney, Agent, or Firm* — Cooley LLP

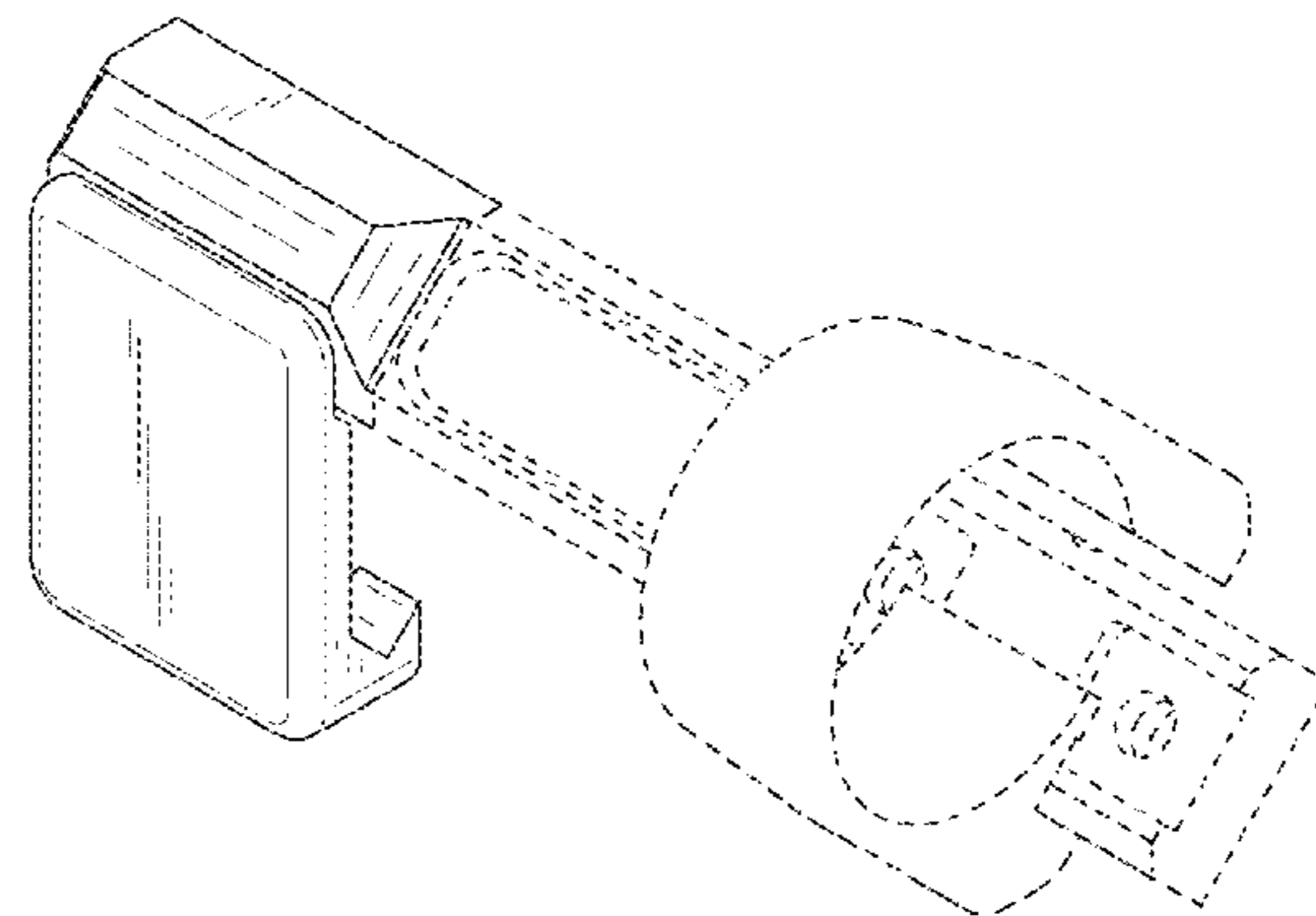
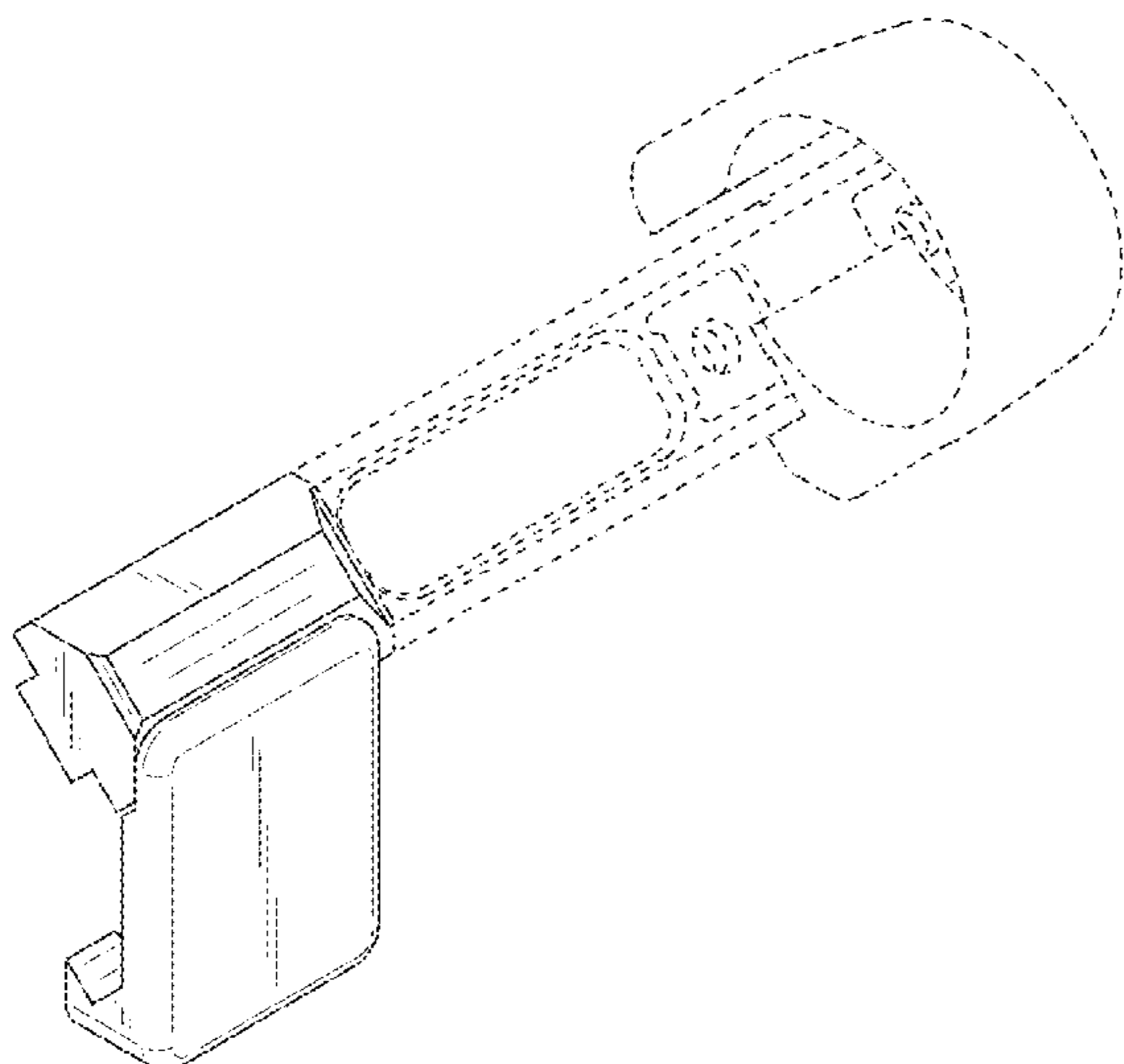
(57) **CLAIM**

The ornamental design for a light mount, as shown and
described.

DESCRIPTION

FIG. 1 is a perspective view of an embodiment;
FIG. 2 is another perspective view of the embodiment;
FIG. 3 is another perspective view of the embodiment;
FIG. 4 is a top view of the embodiment;
FIG. 5 is a bottom view of the embodiment;
FIG. 6 is a front view of the embodiment;
FIG. 7 is a back view of the embodiment;
FIG. 8 is a left side view of the embodiment; and,
FIG. 9 is a right side view of the embodiment.
The broken lines immediately adjacent the shaded areas
represent the bounds of the claimed design while all other
broken lines are directed to environment and are for illus-
trative purposes only; the broken lines form no part of the
claimed design.

1 Claim, 5 Drawing Sheets



(56)

References Cited

U.S. PATENT DOCUMENTS

D757,205 S * 5/2016 Pittman D22/109
D762,276 S * 7/2016 Pittman D22/108
D780,278 S * 2/2017 Pittman D22/108
D781,982 S * 3/2017 Pittman D22/108
2012/0180370 A1 7/2012 McKinley
2016/0320160 A1* 11/2016 Zimmer F41G 11/003

OTHER PUBLICATIONS

Requirement for Restriction/Election for U.S. Design Pat. No.
DD757,205 mailed Oct. 21, 2015.

* cited by examiner

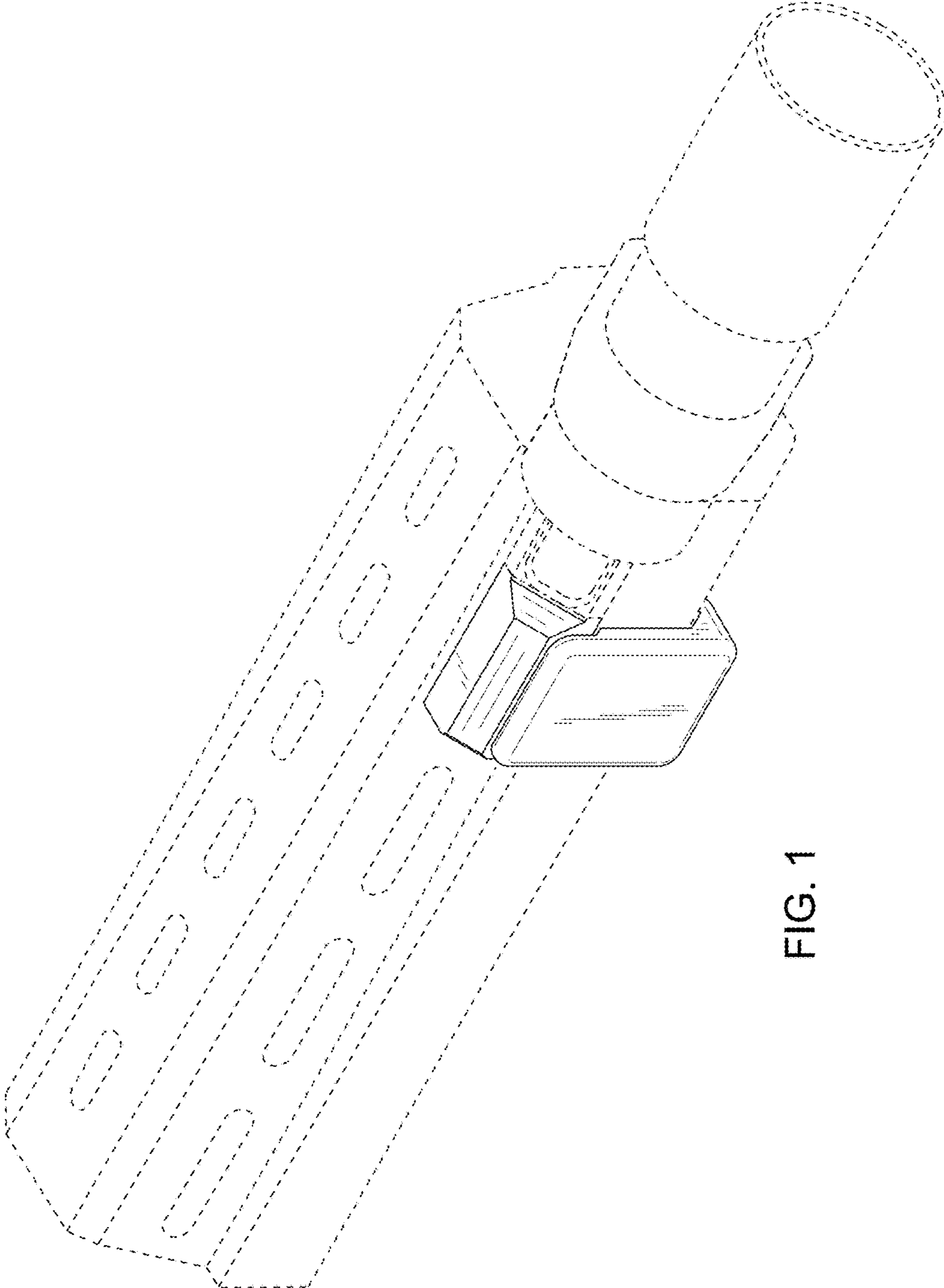


FIG. 1

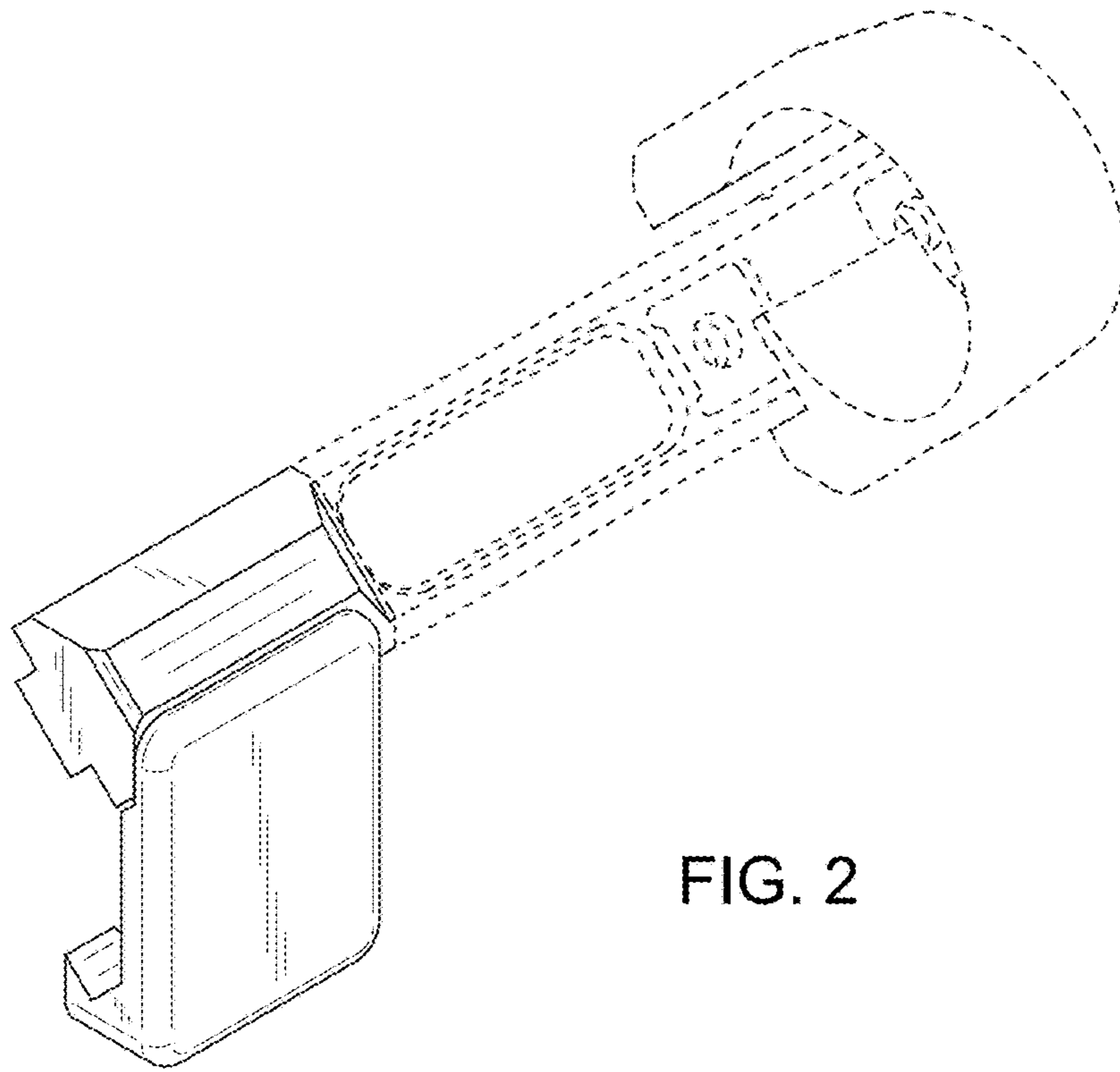


FIG. 2

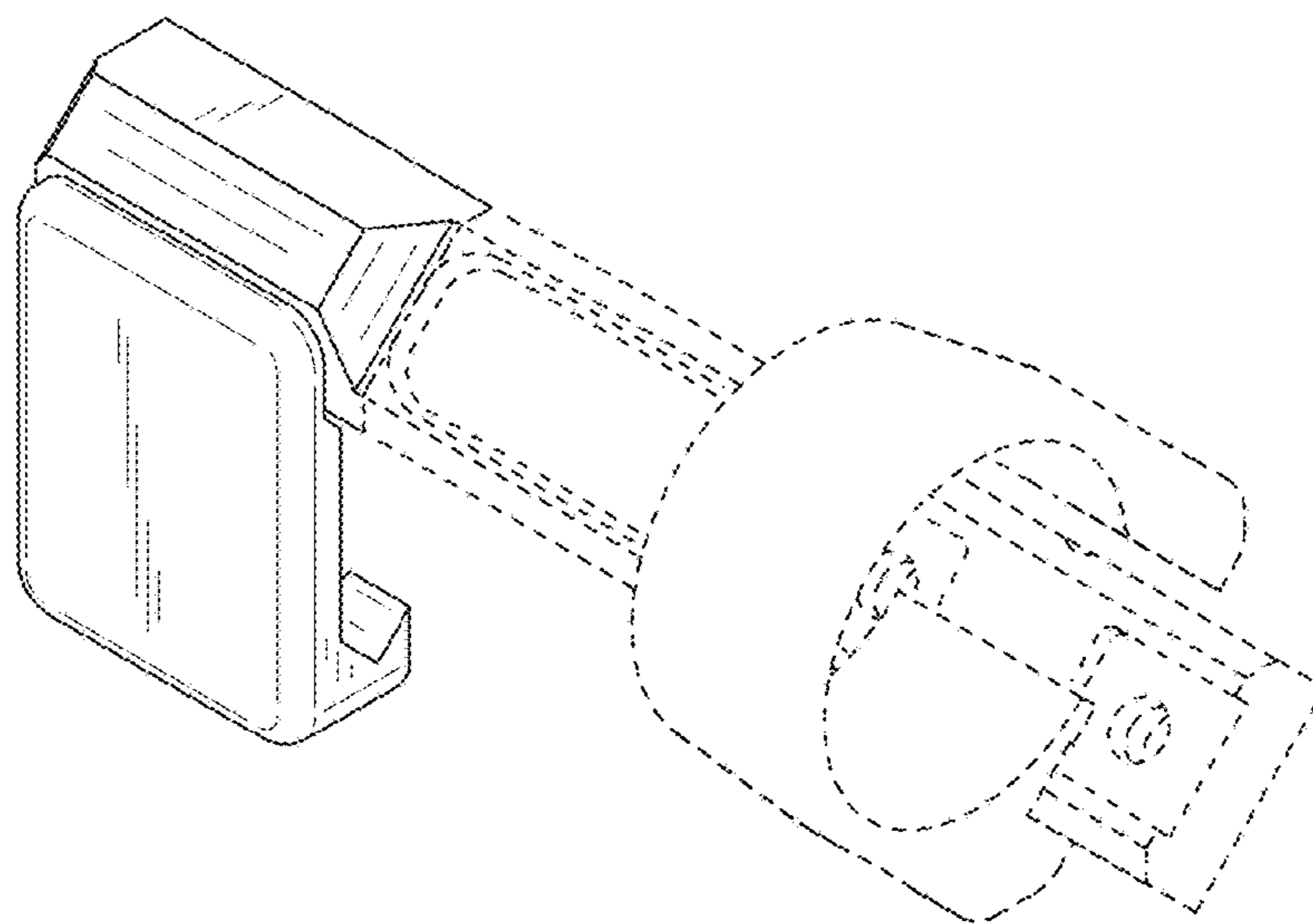


FIG. 3

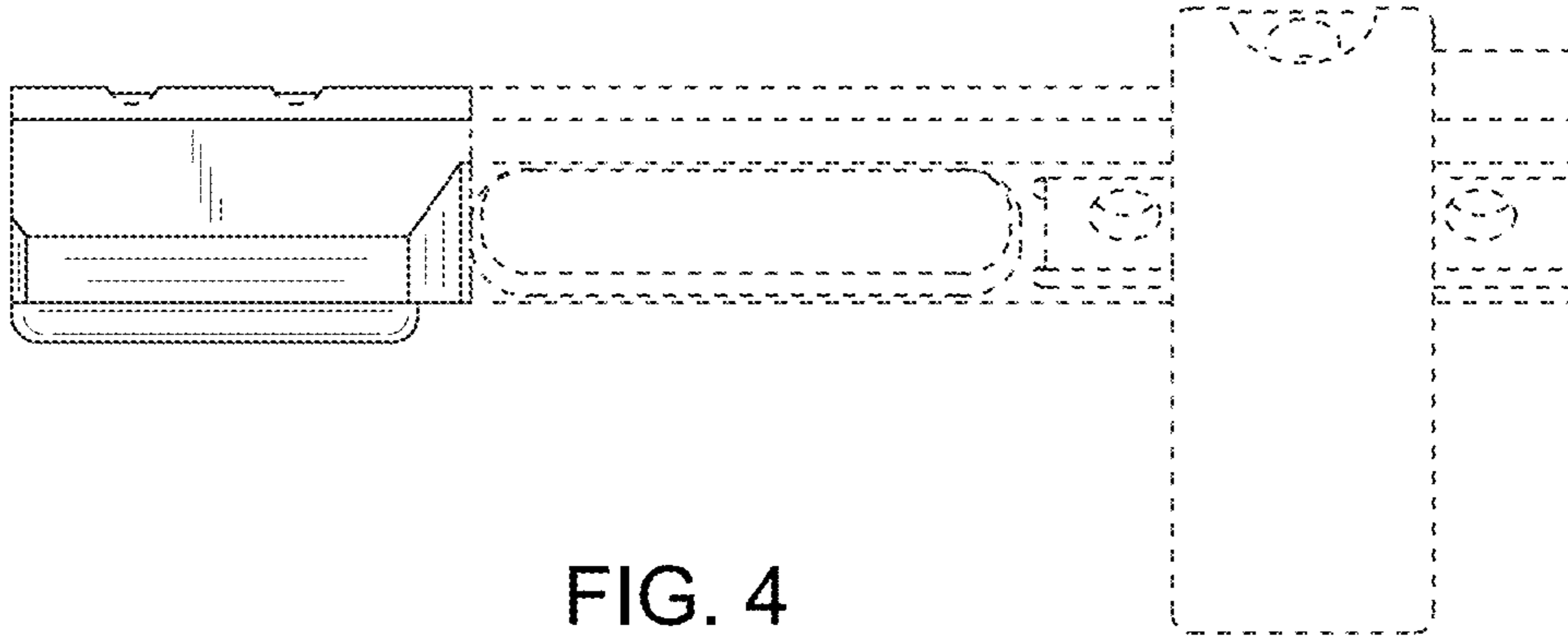


FIG. 4

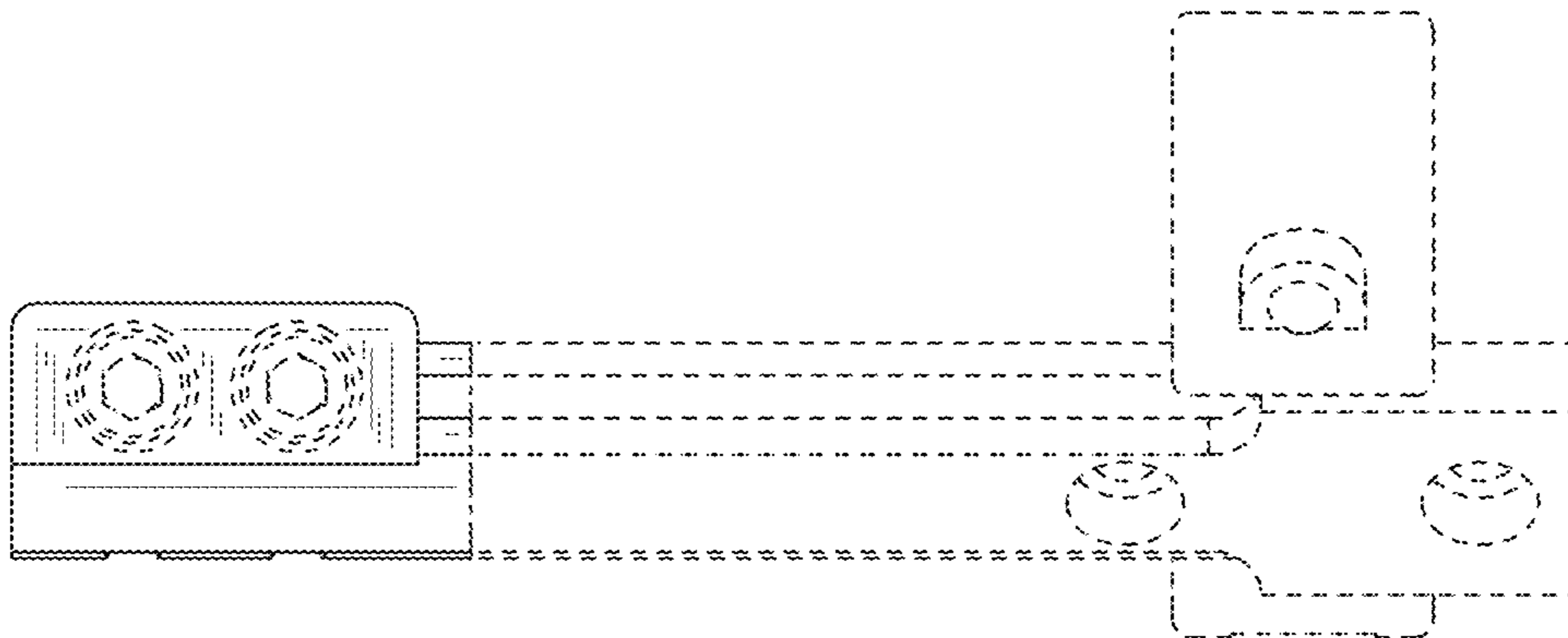


FIG. 5

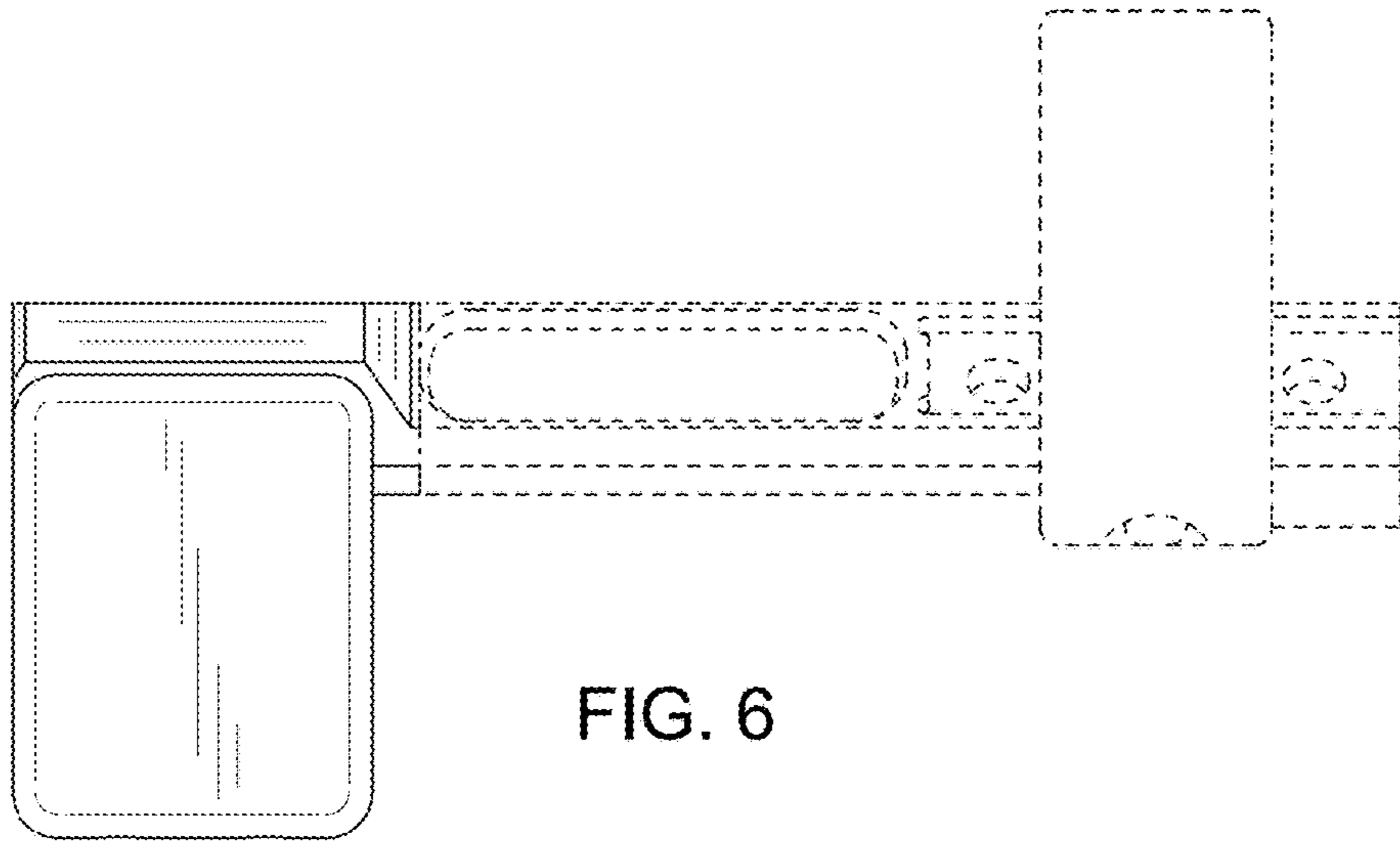


FIG. 6

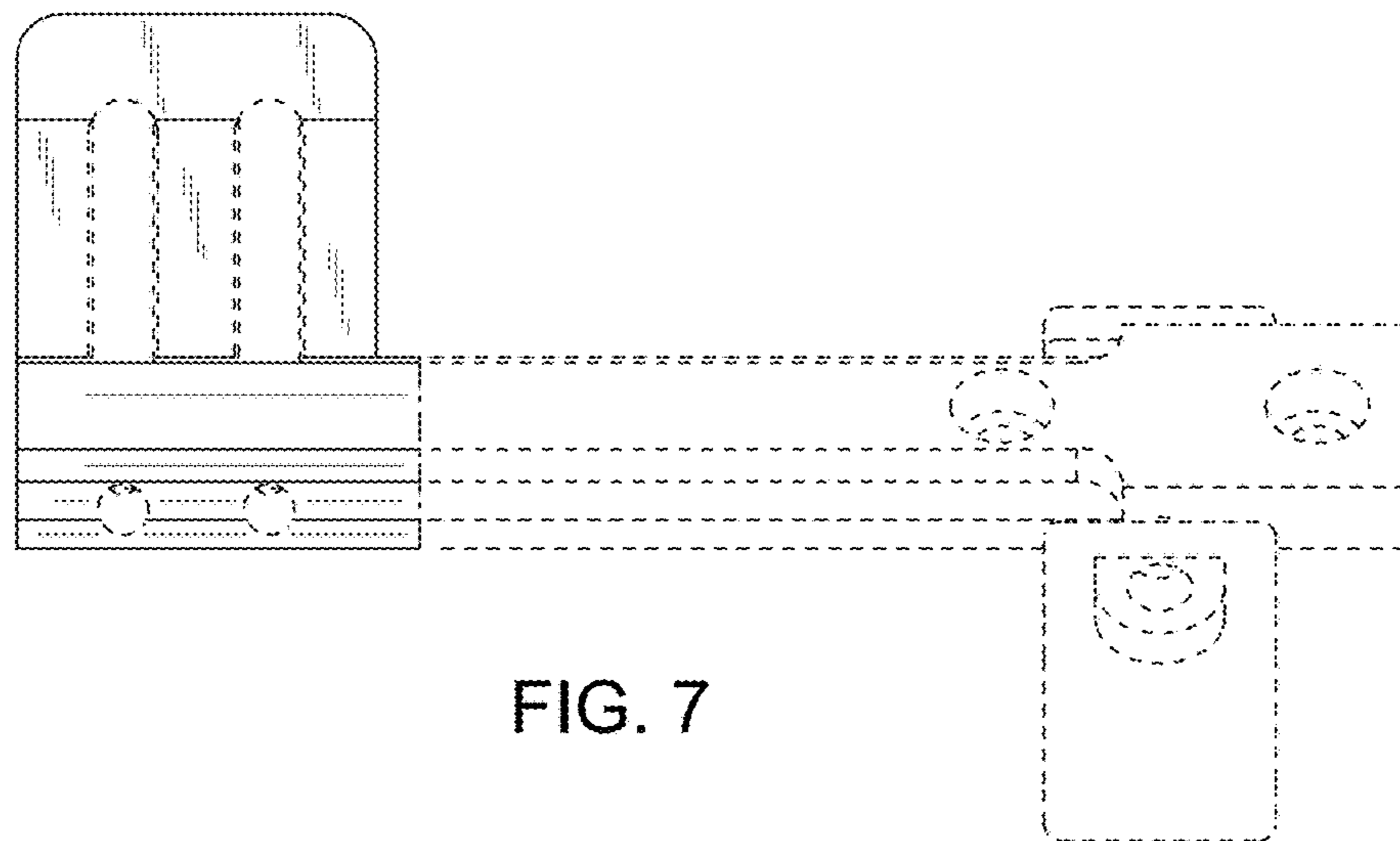


FIG. 7

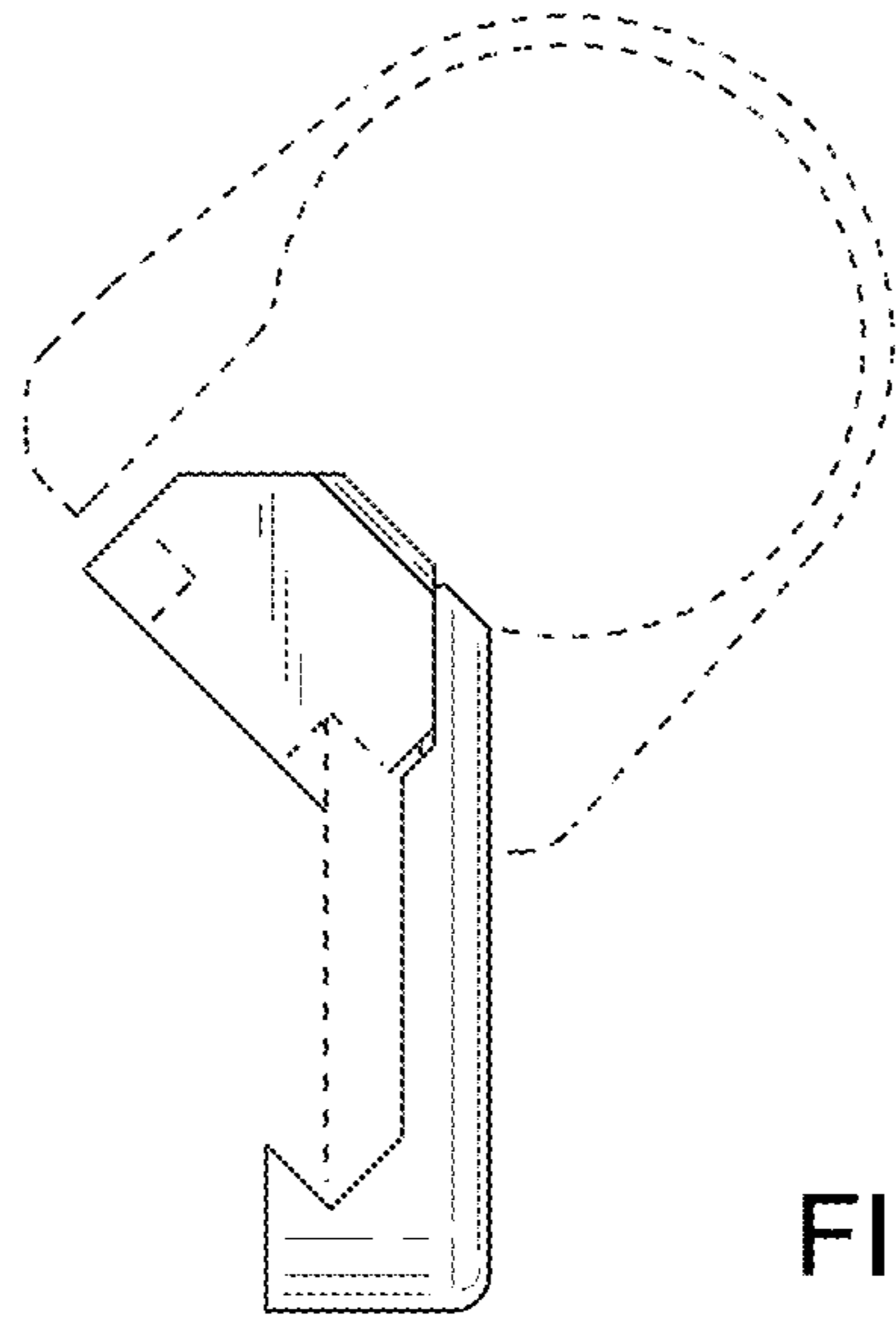


FIG. 8

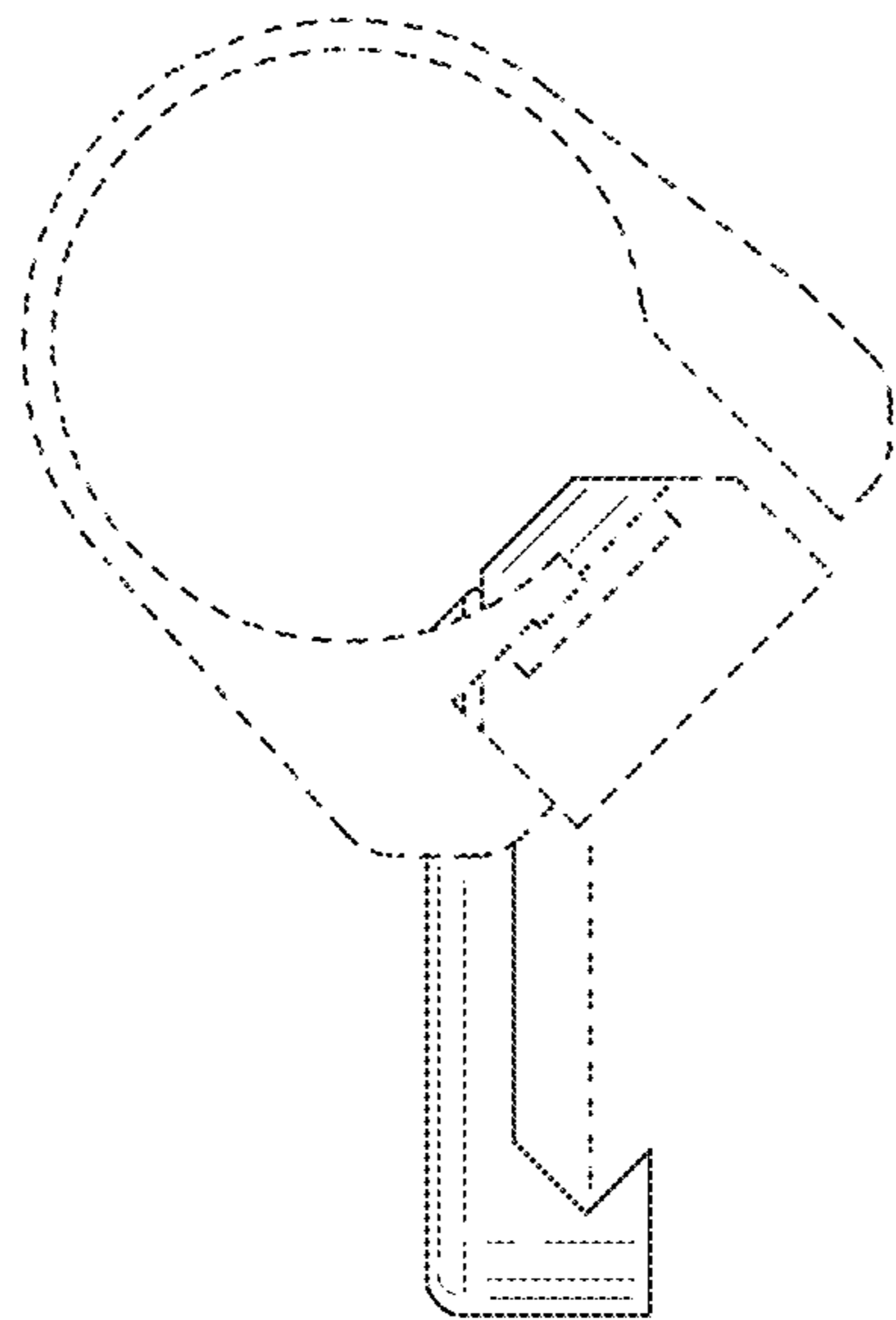


FIG. 9