

US00D820937S

(12) **United States Design Patent**
Hiler, Jr. et al.

(10) **Patent No.:** **US D820,937 S**
(45) **Date of Patent:** **** Jun. 19, 2018**

- (54) **FIREARM LOWER**
- (71) Applicant: **Spec Tool Company**, Sparta, MI (US)
- (72) Inventors: **Lee B. Hiler, Jr.**, Comstock Park, MI (US); **Tadd Richard Woodard**, Howard City, MI (US); **David McClaran Riser, II**, Ada, MI (US)
- (73) Assignee: **Spec Arms LLC**, Sparta, MI (US)
- (**) Term: **15 Years**
- (21) Appl. No.: **29/607,788**
- (22) Filed: **Jun. 16, 2017**
- (51) **LOC (11) Cl.** **22-01**
- (52) **U.S. Cl.**
USPC **D22/108**
- (58) **Field of Classification Search**
USPC D22/108, 100, 101, 103, 105, 109, 110;
D21/572-575; D14/418, 124, 125, 126,
D14/127, 128, 10, 83, 85, 86, 87, 90,
D14/113, 117, 141, 75.01, 75.02, 75.03,
D14/75.05, 50, 51, 71.01, 94, 106;
362/110
CPC F41C 7/00; F41C 7/11; F41C 7/12; F41C
23/10; F41C 23/14; F41C 23/16; F41C
23/18; F41C 23/00; F41C 27/00; F41C
27/06; F41A 5/18; F41A 5/24; F41A
21/28
See application file for complete search history.

- D689,974 S * 9/2013 Sharps D22/108
- D709,582 S 7/2014 Geissele
- D720,421 S 12/2014 Chen
- 8,984,794 B1 * 3/2015 Saur F41C 27/00
42/108
- D726,862 S * 4/2015 Crume, Sr. D22/108
(Continued)

OTHER PUBLICATIONS

AR-15 Alpha-Hunter, SpecArmsllc.com, [online], [site visited Mar. 16, 2018]. <URL: <https://www.specarmsllc.com/product-page/ar-15-alpha-hunter-specials>> (Year: 2018).*
(Continued)

Primary Examiner — T. Chase Nelson
Assistant Examiner — Jonathan J. Han
(74) *Attorney, Agent, or Firm* — Warner Norcross + Judd, LLP

(57) **CLAIM**

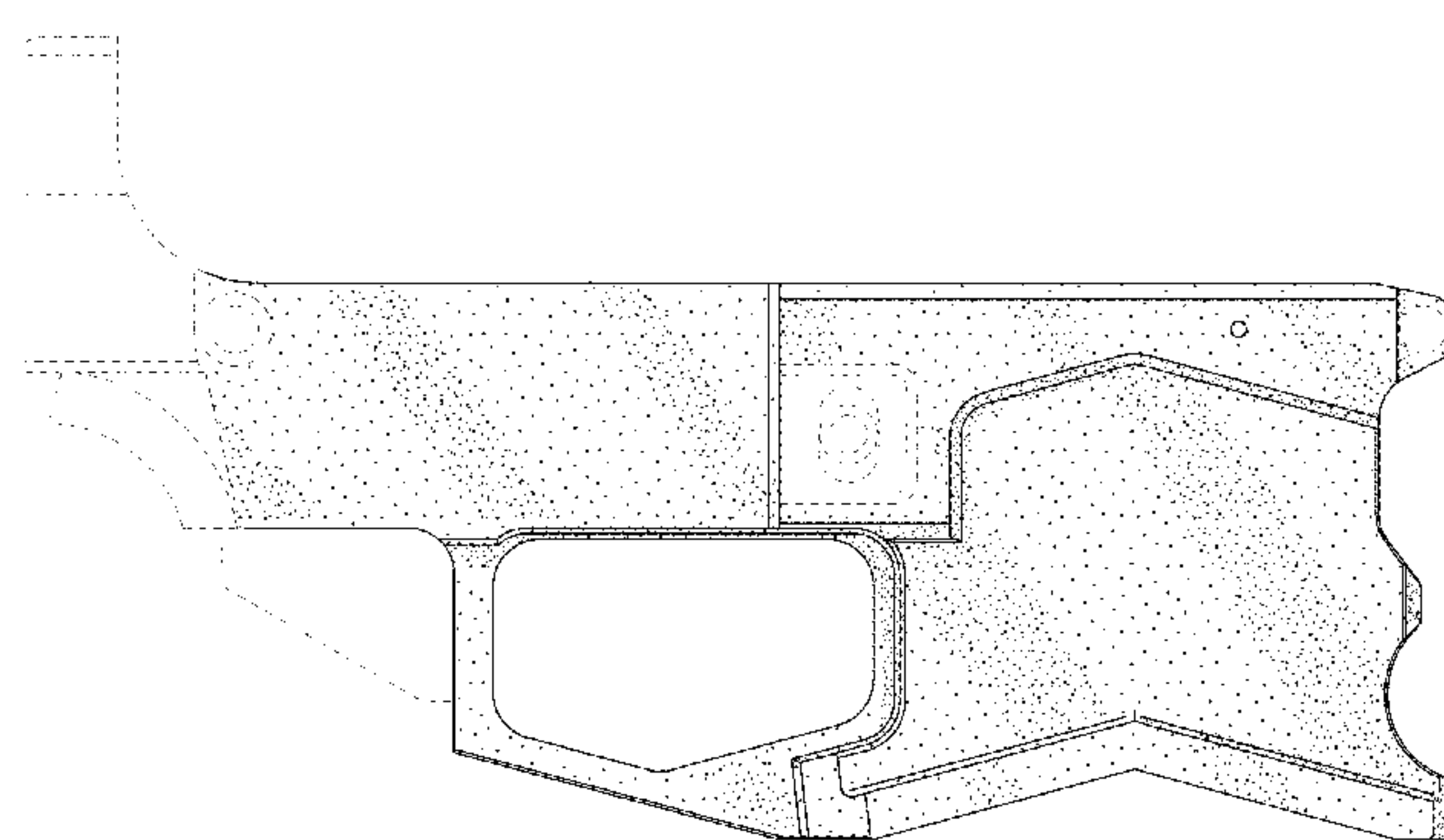
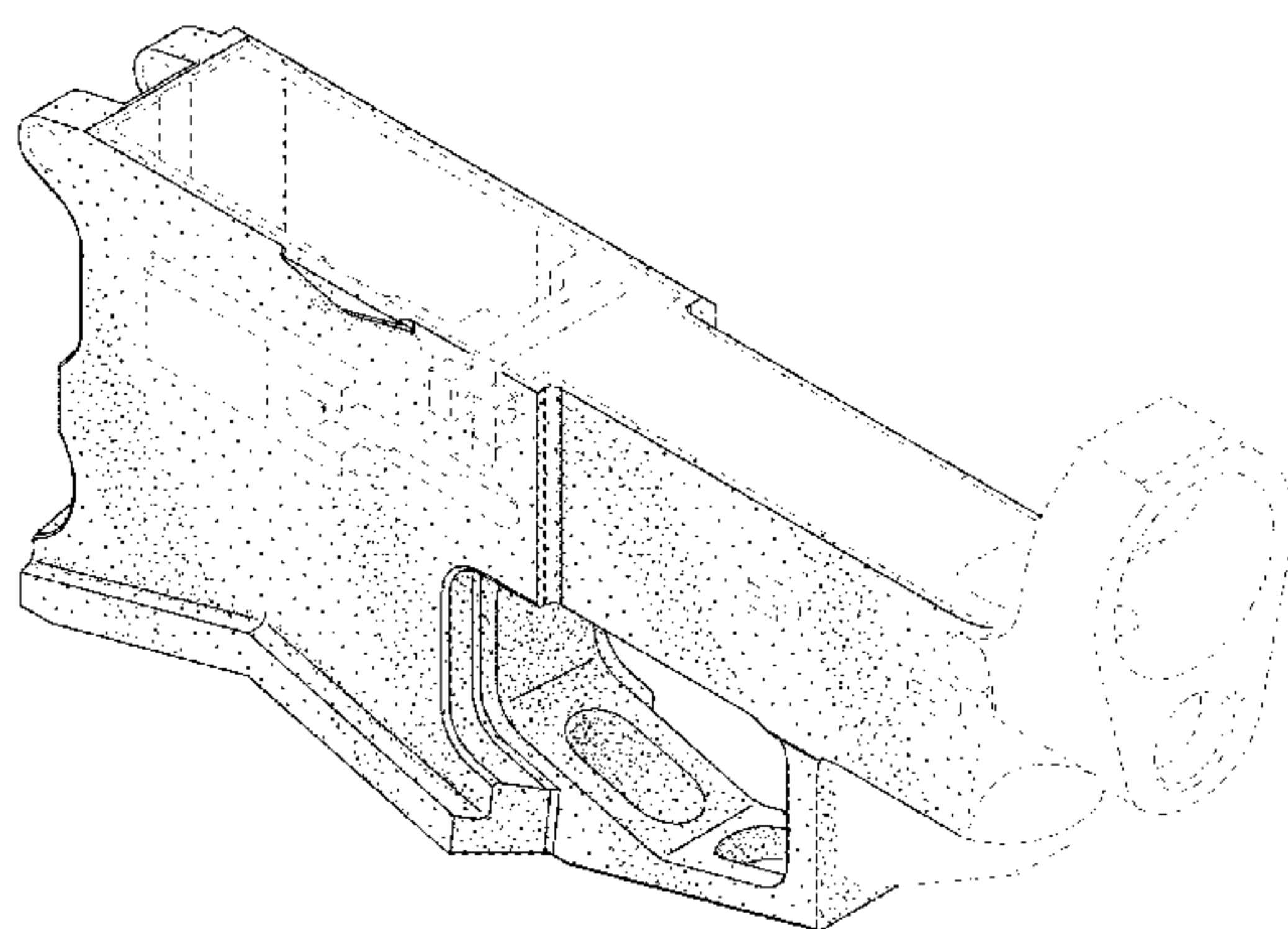
The ornamental design for firearm lower, as shown and described.

DESCRIPTION

FIG. 1 is a perspective view of the firearm lower embodying the new design;
FIG. 2 is a left side view thereof;
FIG. 3 is a right side view thereof;
FIG. 4 is a top view thereof;
FIG. 5 is a bottom view thereof;
FIG. 6 is a front view thereof; and,
FIG. 7 is a rear view thereof.
FIGS. 1-7 show features of a firearm lower in broken lines. These features are shown for environmental purposes and do not form any part of the claimed design. The broken lines immediately adjacent the solid line portions of the design form the boundary of the design, with the broken lines forming no part of the claimed design.

1 Claim, 5 Drawing Sheets

- (56) **References Cited**
U.S. PATENT DOCUMENTS
5,519,954 A * 5/1996 Garrett F41A 17/38
42/6
D603,011 S * 10/2009 Fitzpatrick D22/108
D636,832 S * 4/2011 Mayberry D22/108
D645,532 S 9/2011 Peterson et al.
8,087,194 B1 1/2012 Vuksanovich



(56)

References Cited

U.S. PATENT DOCUMENTS

D726,863 S * 4/2015 Crume, Sr. D22/108
 D727,454 S * 4/2015 Robinson D22/108
 D733,827 S 7/2015 Serbu
 9,151,555 B1 * 10/2015 Huang F16B 15/02
 9,194,638 B2 * 11/2015 Larson, Jr. F41A 17/38
 9,217,618 B1 * 12/2015 Miller F41A 19/11
 D746,936 S * 1/2016 Huang D22/108
 D747,428 S 1/2016 Chen
 D748,754 S 2/2016 Chastain
 D752,171 S 3/2016 Chen
 9,303,949 B1 * 4/2016 Oglesby F41A 3/66
 D755,338 S * 5/2016 Slank D22/108
 9,389,031 B2 * 7/2016 Gardner F41A 3/66
 D765,211 S * 8/2016 Huang D22/108
 D770,001 S 10/2016 Nicklos et al.
 D773,585 S * 12/2016 Miller, III D22/108
 9,534,859 B2 1/2017 Battaglia et al.
 9,574,852 B1 2/2017 McKillips et al.
 D782,596 S * 3/2017 Angstadt D22/108
 9,599,439 B1 3/2017 Sylvester
 D787,003 S 5/2017 Spector et al.
 D787,004 S 5/2017 Spector et al.
 9,658,020 B2 5/2017 Daniel et al.
 D790,029 S 6/2017 Geissele
 9,702,652 B1 7/2017 Jackson
 D795,379 S * 8/2017 Frederickson D22/108
 D795,983 S * 8/2017 Cross D22/108
 D795,984 S 8/2017 Frederickson et al.
 D795,986 S 8/2017 Frederickson et al.
 9,733,030 B2 8/2017 Daniel et al.
 9,791,239 B1 10/2017 Kincel et al.
 9,829,272 B2 * 11/2017 Brown F41C 23/04
 D805,154 S * 12/2017 Steele D22/108
 9,851,083 B2 12/2017 Pinilla
 2005/0183317 A1 * 8/2005 Finn F41A 19/11
 42/72
 2010/0186582 A1 7/2010 Juarez
 2010/0281736 A1 * 11/2010 Mayberry F41A 21/481
 42/49.01
 2010/0319231 A1 12/2010 Stone et al.
 2011/0173867 A1 7/2011 Young
 2012/0216439 A1 8/2012 Barrett et al.
 2012/0260793 A1 10/2012 Gomez
 2013/0227871 A1 9/2013 Stone

2014/0075804 A1 3/2014 Langevin et al.
 2014/0115938 A1 5/2014 Jarboe
 2014/0115939 A1 5/2014 Troy et al.
 2014/0130390 A1 5/2014 Geissele
 2014/0165439 A1 * 6/2014 Fernandez F41A 17/38
 42/6
 2014/0224235 A1 * 8/2014 Liao F41A 11/00
 124/32
 2014/0331535 A1 * 11/2014 Robinson F41A 3/66
 42/6
 2015/0007476 A1 1/2015 Dextraze
 2015/0153125 A1 * 6/2015 Lutton F41A 17/46
 42/69.01
 2015/0354912 A1 * 12/2015 Miller F41A 19/11
 42/90
 2016/0084601 A1 * 3/2016 Alicea, Jr. F41A 17/20
 42/6
 2016/0273857 A1 * 9/2016 Pettit F41A 3/66
 2017/0160032 A1 * 6/2017 Overstreet F41A 17/36
 2017/0307321 A1 10/2017 DeSomma

OTHER PUBLICATIONS

AR-15 Alpha-Defender, SpecArmsllc.com, [online], [site visited Mar. 16, 2018]. <URL: <https://www.specarmsllc.com/product-page/ar-15-alpha-defender-specials>> (Year: 2018).*

Battle Arms Development AR-15 BAD556-LW Receiver Set, RainierArms.com, [online], [site visited Mar. 16, 2018]. <URL: <https://www.rainierarms.com/battle-arms-development-bad556-lw-receiver-set/>> (Year: 2018).*

AT3 Tactical article the 7 Things to Look for in an AR-15 Handguard downloaded from <https://www.at3tactical.com/blogs/news/9243847-the-7-things-to-look-for-in-an-ar-15-handguard> on Jun. 13, 2017.

Midwest Industries AR-15 G3 M-Series Free Float Extended Handguard 17.5" Length M-LOK, AeroSpaceArms.com, [online], [site visited Mar. 27, 2018]. <URL: <https://aerospacearms.com/nldwest-Industries-ar-15-g3-m-series-free-float-extended-handguard-17-5-length-m-lok-aluminum-black/>> (Year: 2018).

UTG PRO AR-15 15" Flat Dark Earth Super Slim Free Float Handguard, LAPoliceGear.com, [online], [site visited Mar. 27, 2018]. < URL: <https://www.lapolicegear.com/utg-nttu019ssd.html>> (Year: 2018).

* cited by examiner

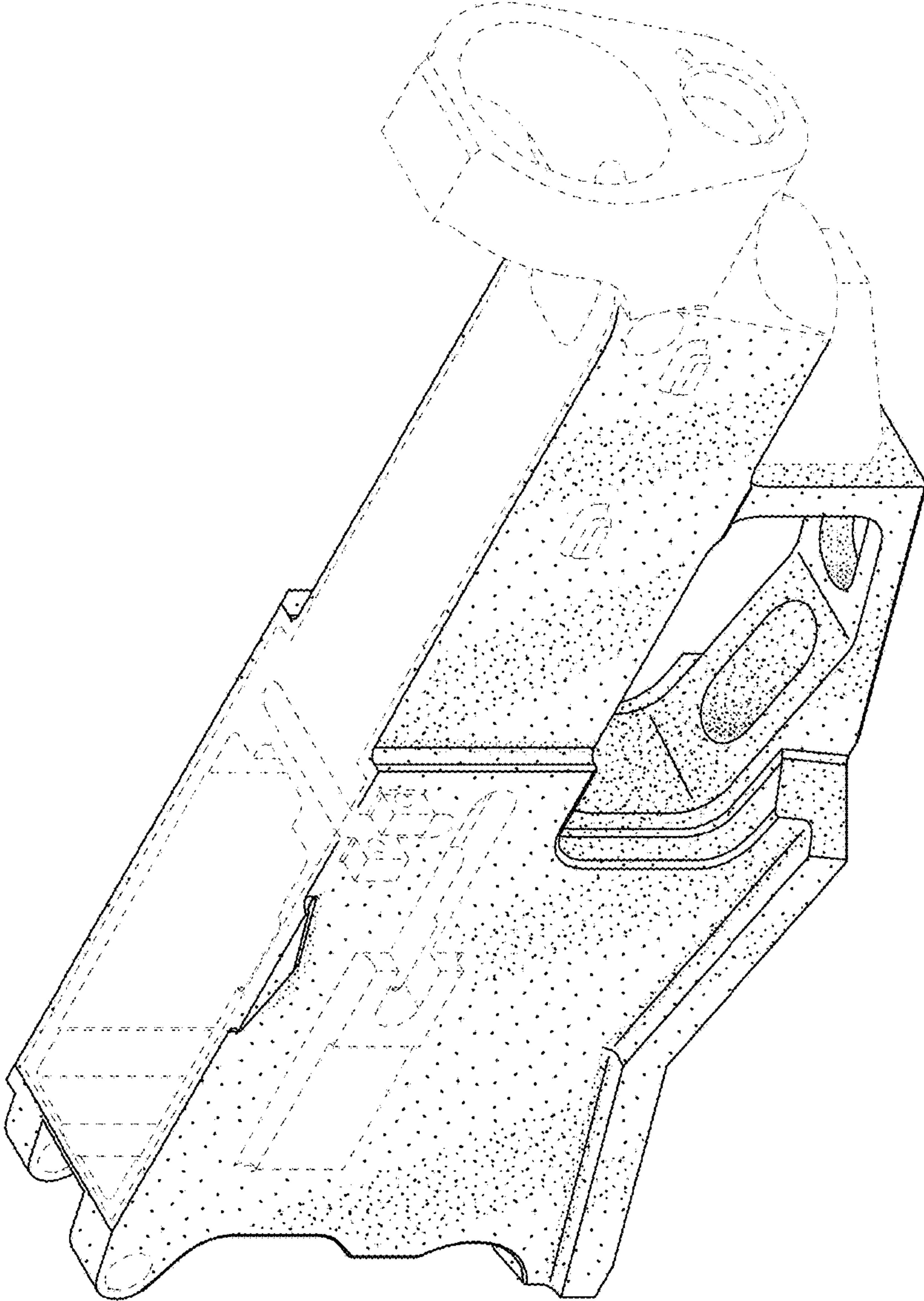


Fig. 1

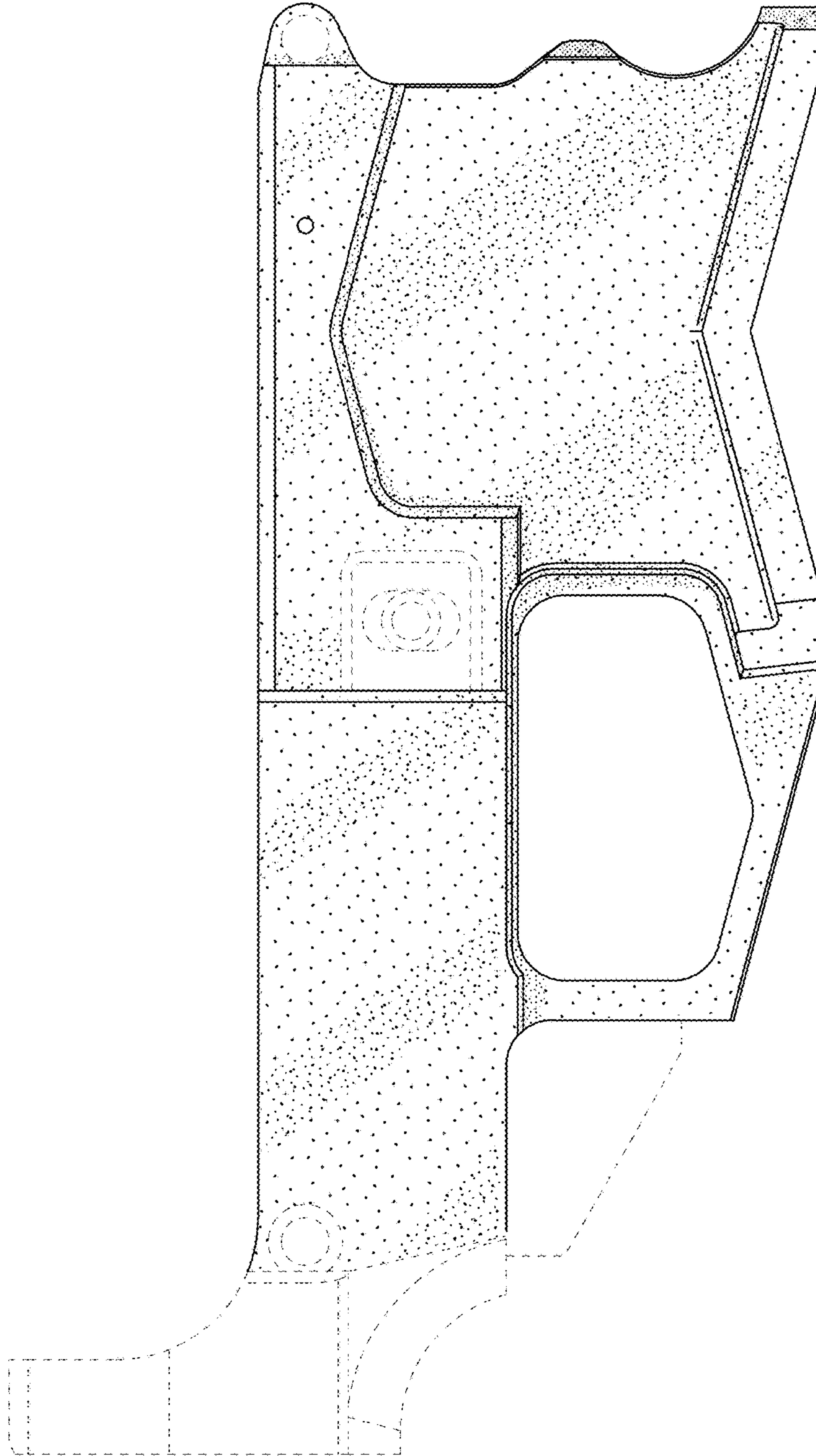


Fig. 2

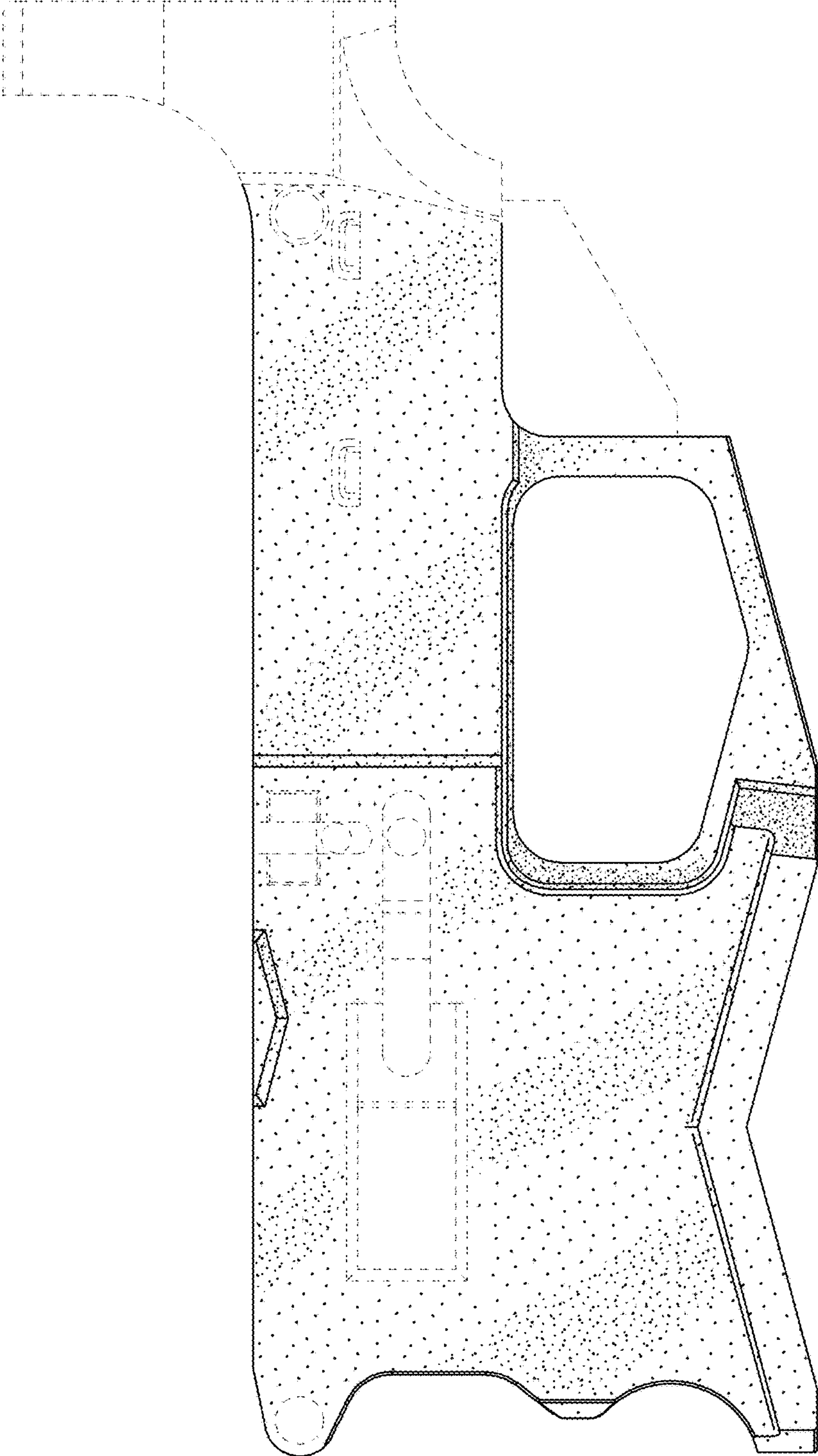


Fig. 3

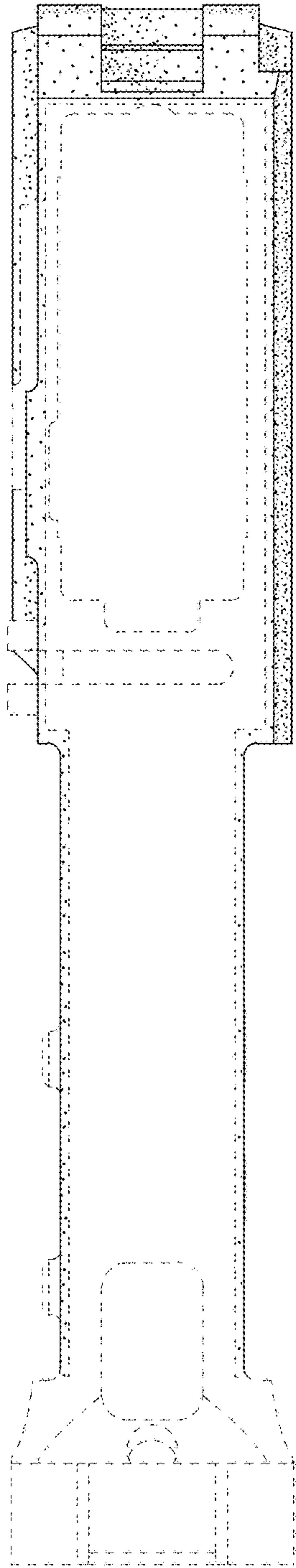


Fig. 4

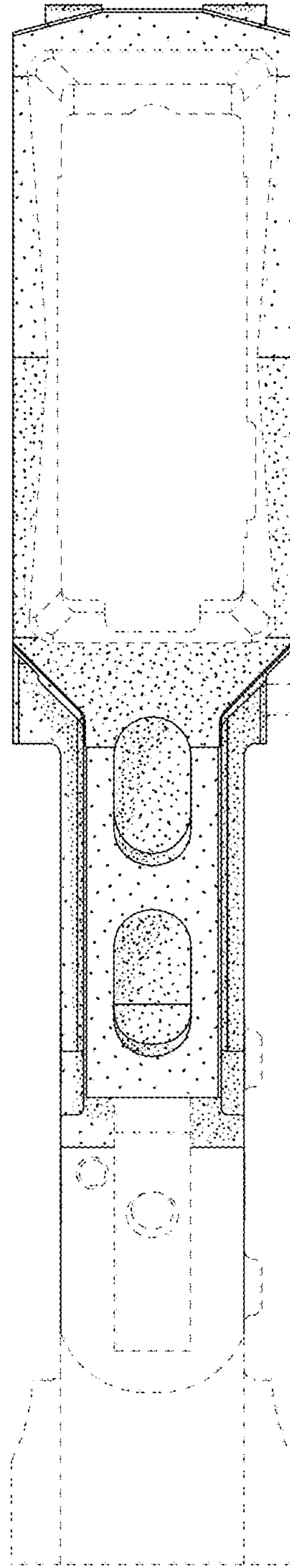


Fig. 5

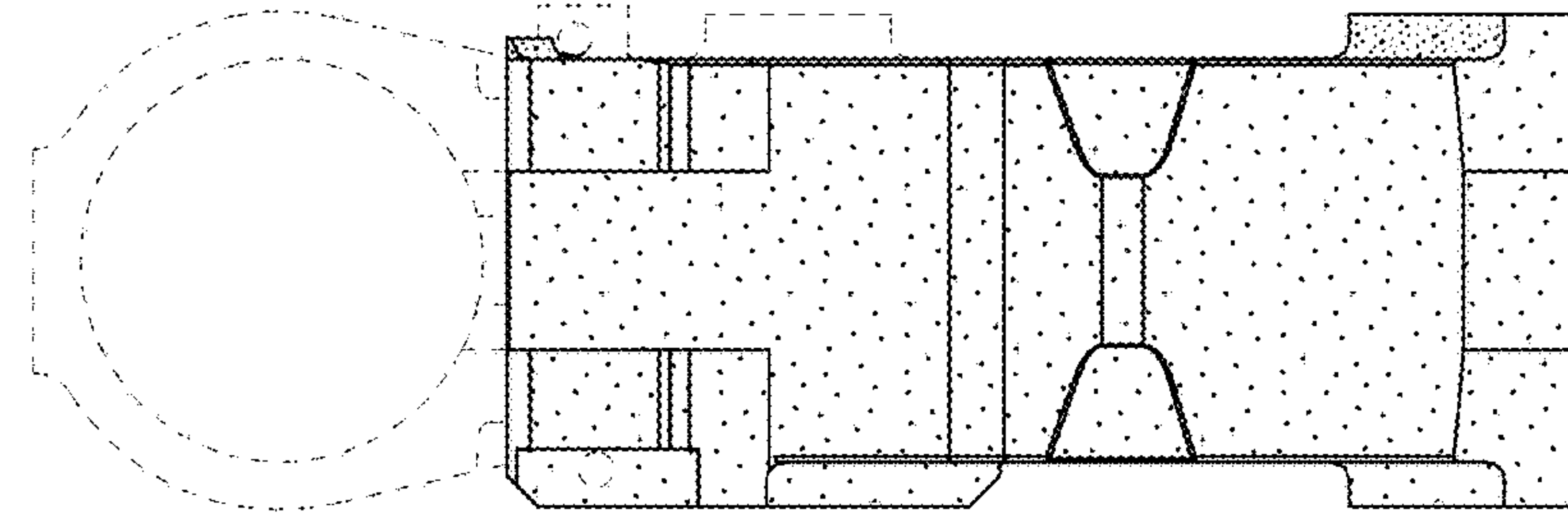


Fig. 7

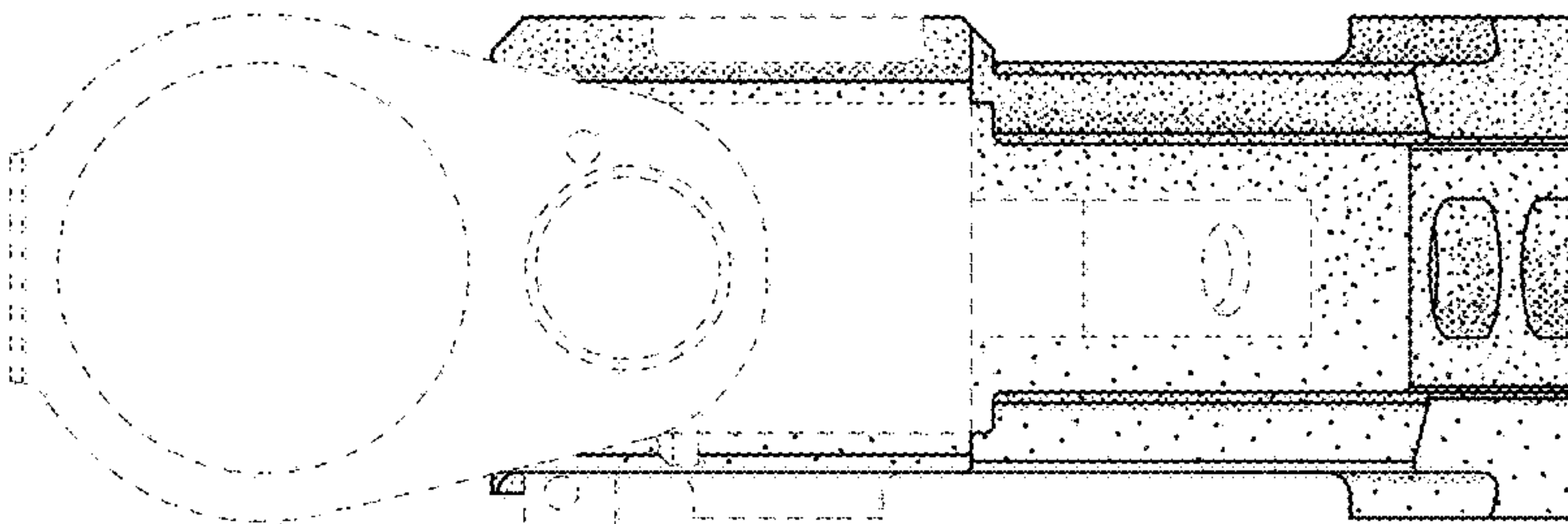


Fig. 6