



US00D820935S

(12) **United States Design Patent**  
**Jones**

(10) **Patent No.:** **US D820,935 S**  
(45) **Date of Patent:** **\*\* Jun. 19, 2018**

- (54) **DECISION MAKING DEVICE**
- (71) Applicant: **Multicraft Ventures**, Pelahatchi, MS (US)
- (72) Inventor: **Paul Jones**, Pelahatchie, MS (US)
- (73) Assignee: **MULTICRAFT VENTURES, LLC**, Pelahatchi, MS (US)
- (\*\*) Term: **15 Years**
- (21) Appl. No.: **29/595,413**
- (22) Filed: **Feb. 28, 2017**
- (51) **LOC (11) Cl.** ..... **21-03**
- (52) **U.S. Cl.**  
USPC ..... **D21/813**; D21/369
- (58) **Field of Classification Search**  
USPC ..... D21/812, 813, 369, 371, 372, 374;  
D19/64  
CPC . A63H 33/00; A63F 9/18; A63F 9/181; A63F  
9/183; A63F 5/045; A63F 5/046  
See application file for complete search history.

- 4,699,382 A \* 10/1987 Kabana ..... G07C 15/001  
273/144 B
- 4,765,623 A \* 8/1988 Cardillo ..... A63F 9/181  
273/138.2
- D342,547 S \* 12/1993 Putman ..... D19/64
- 5,482,277 A \* 1/1996 Young ..... A63F 9/181  
273/161
- 6,273,421 B1 \* 8/2001 Thalheimer ..... A63H 5/00  
273/161
- D455,808 S \* 4/2002 Katoh ..... D21/385
- 6,368,176 B1 \* 4/2002 Lozowski ..... A63H 5/00  
446/169
- D460,123 S \* 7/2002 Seelig ..... D21/370
- D638,070 S \* 5/2011 Tyler ..... D21/372
- D638,071 S \* 5/2011 Tyler ..... D21/372
- D698,696 S \* 2/2014 McBurney ..... D11/157

\* cited by examiner

*Primary Examiner* — Mitchell I. Siegel  
(74) *Attorney, Agent, or Firm* — Butler Snow LLP

(57) **CLAIM**

I claim the ornamental design for the decision making device, as shown and described.

**DESCRIPTION**

FIG. 1 is a top perspective view of a decision making device; FIG. 2 is a bottom perspective view of the decision making device;

FIG. 3 is a front elevational view thereof.

FIG. 4 is a right-side elevational view thereof.

FIG. 5 is a left-side elevational view thereof.

FIG. 6 is a rear elevational view thereof.

FIG. 7 is a top plan view thereof; and,

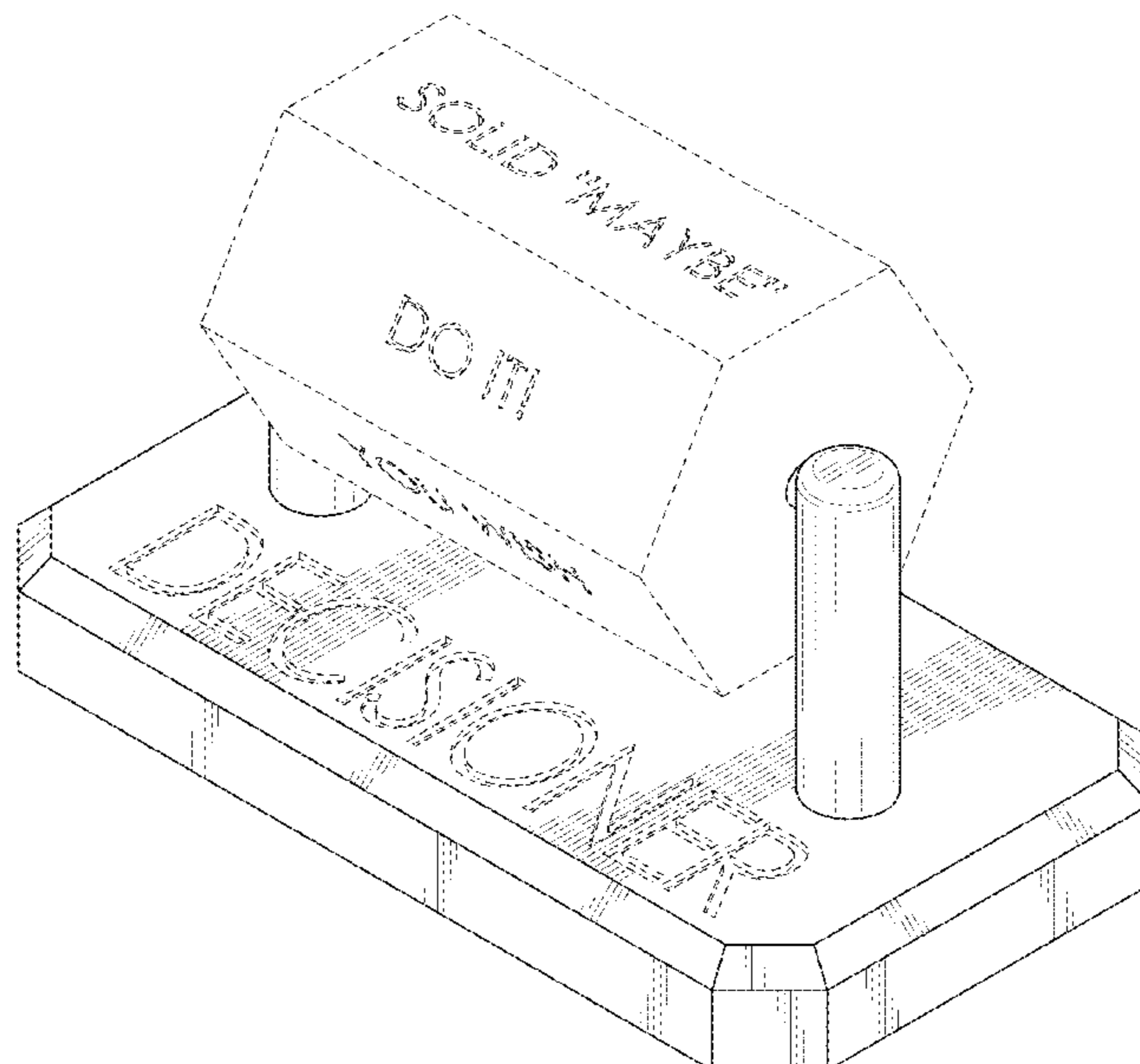
FIG. 8 a bottom plan view thereof.

The broken line showings on the drawings is included for the purpose of illustrating and forms no part of the claimed design.

**1 Claim, 7 Drawing Sheets**

(56) **References Cited**  
U.S. PATENT DOCUMENTS

- 2,368,088 A \* 1/1945 Brewer ..... A63H 13/00  
273/161
- D151,562 S \* 10/1948 Southwell ..... 273/145 C
- 3,119,621 A \* 1/1964 Bookman ..... A63F 9/0406  
273/145 C
- 3,168,315 A \* 2/1965 Bookman ..... A63F 9/0406  
273/145 C
- 4,071,249 A \* 1/1978 Goldfarb ..... A63H 13/005  
273/161
- 4,146,978 A \* 4/1979 Breslow ..... A63F 3/0423  
273/143 R
- 4,148,488 A \* 4/1979 Kohlhagen ..... A63F 9/04  
273/146



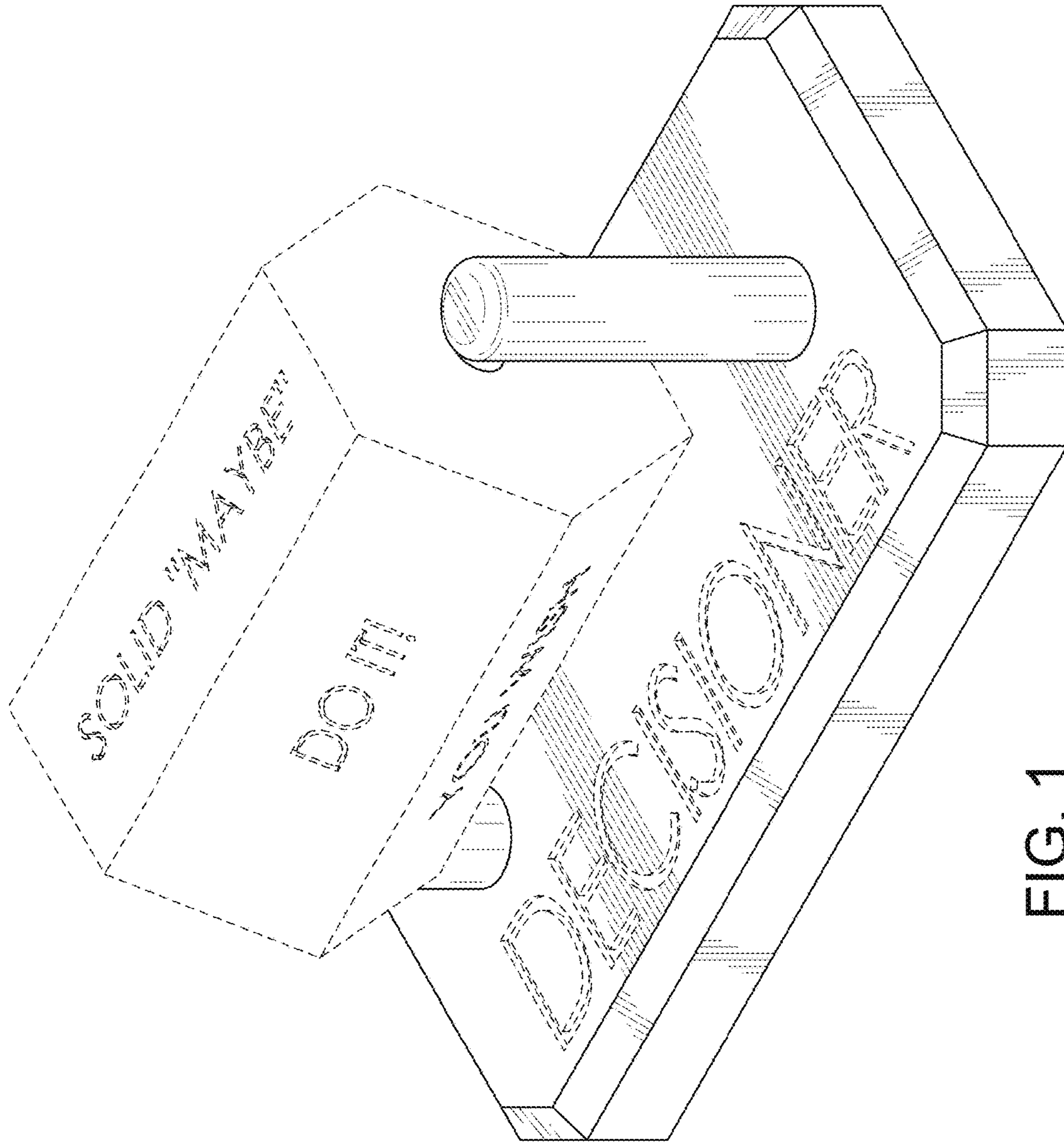


FIG. 1

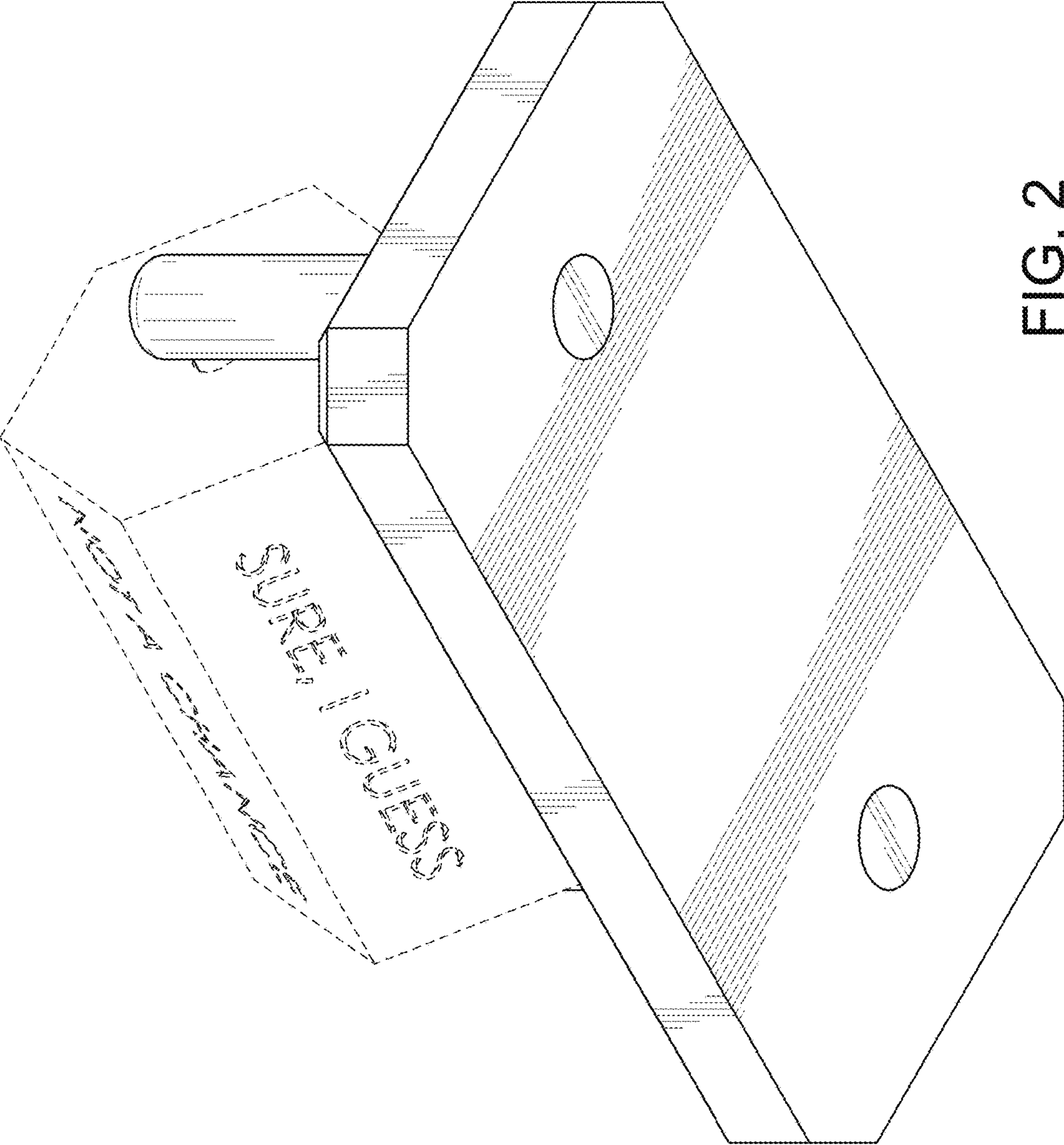


FIG. 2

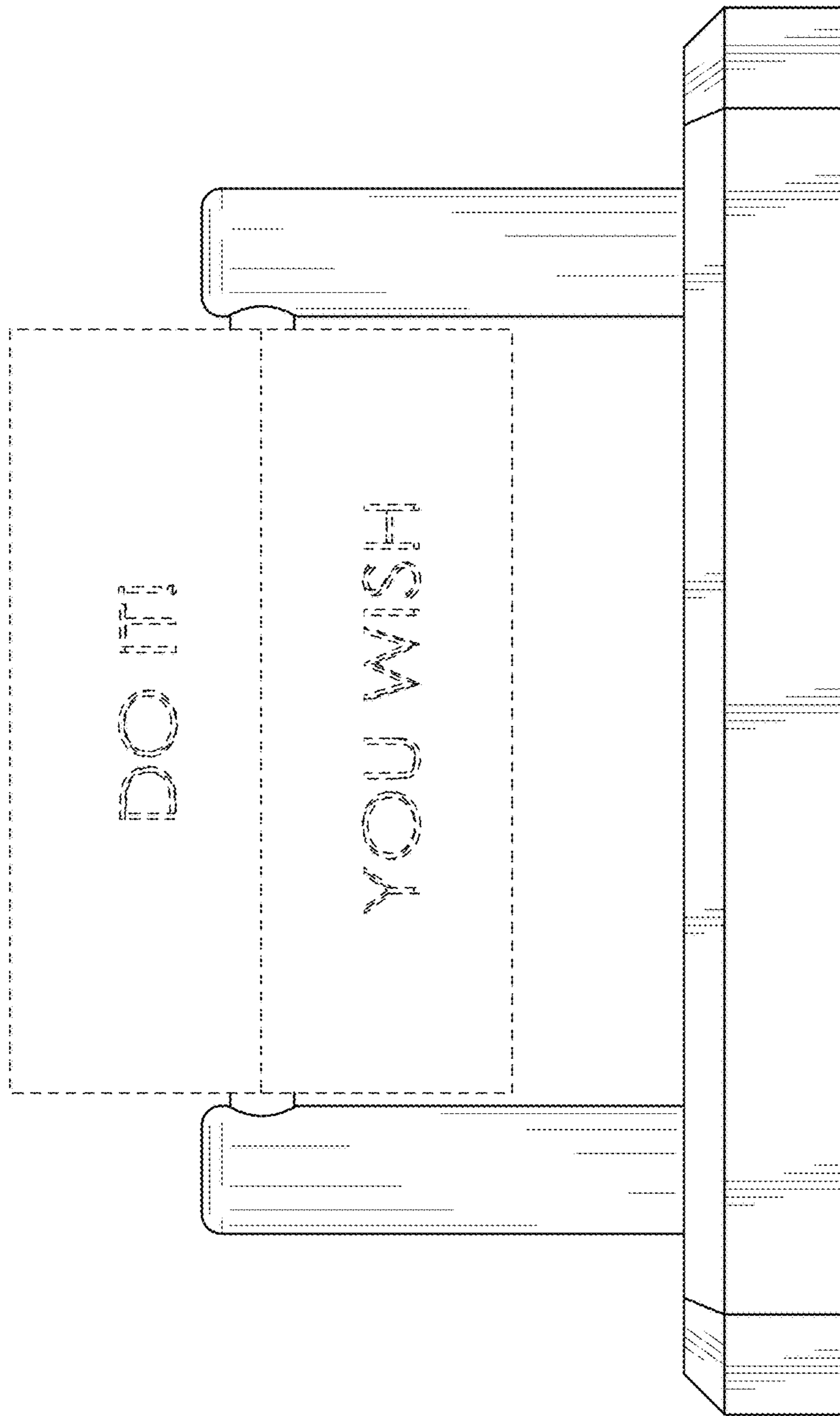


FIG. 3

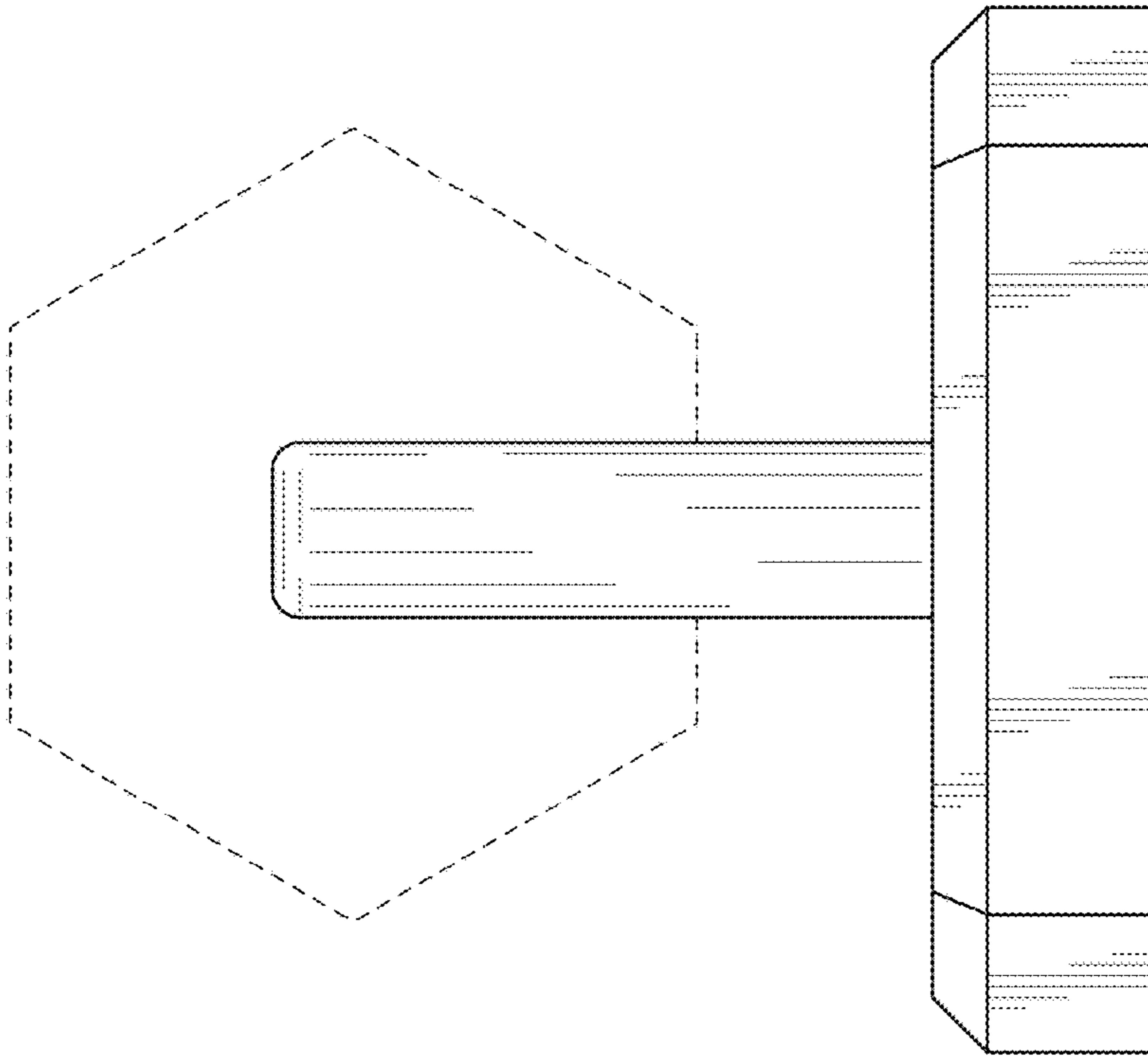


FIG. 4

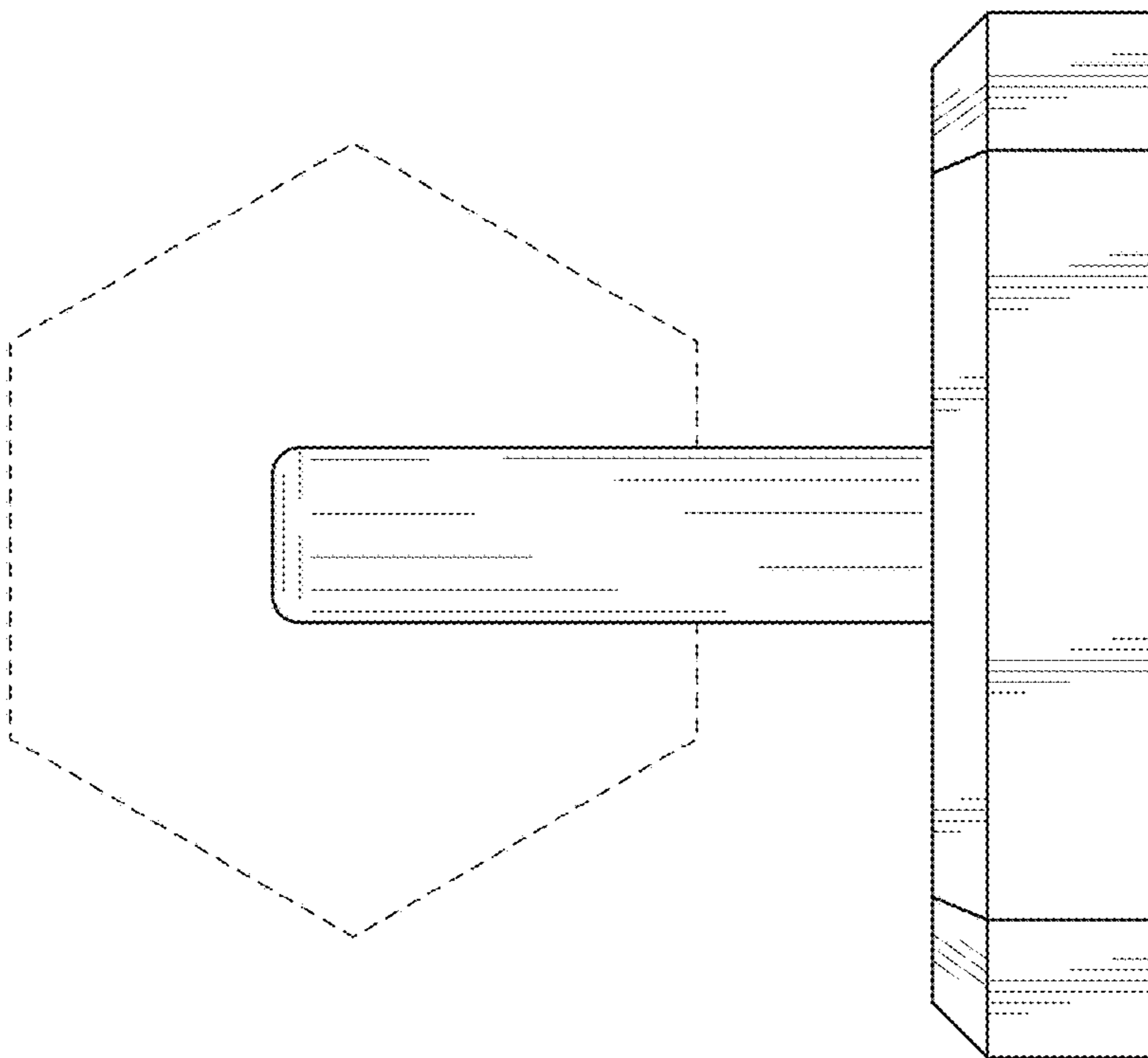


FIG. 5

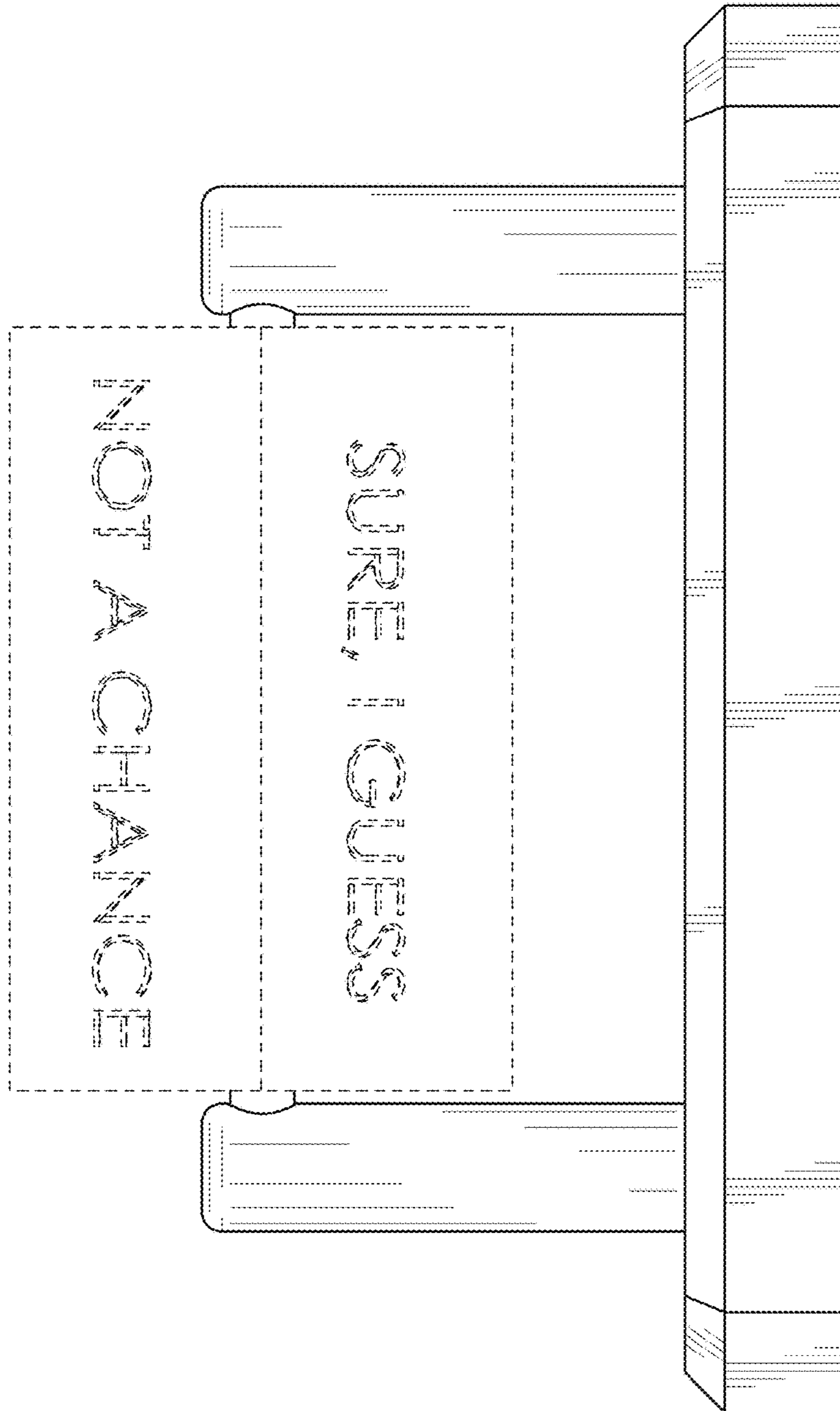


FIG. 6

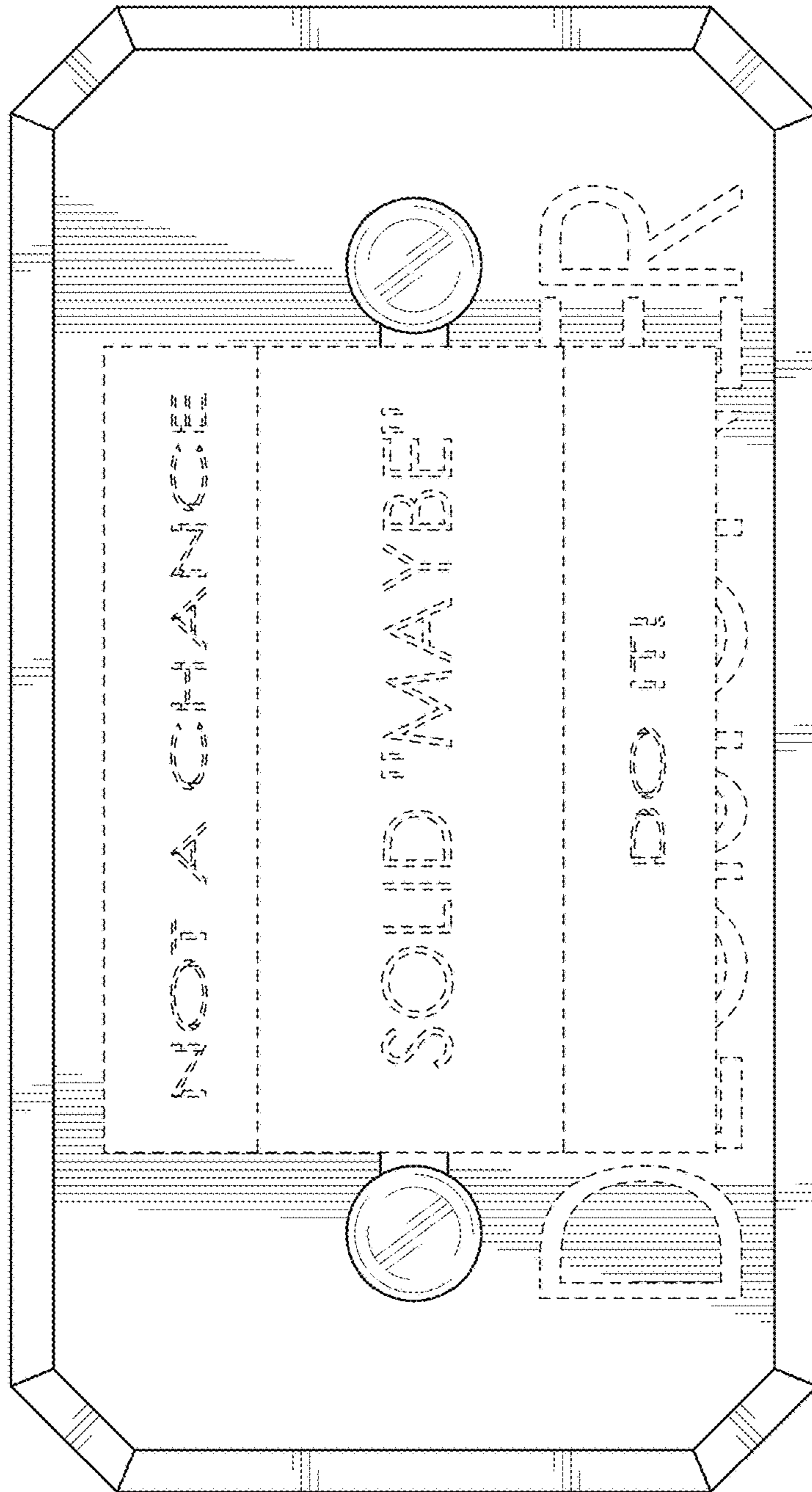


FIG. 7

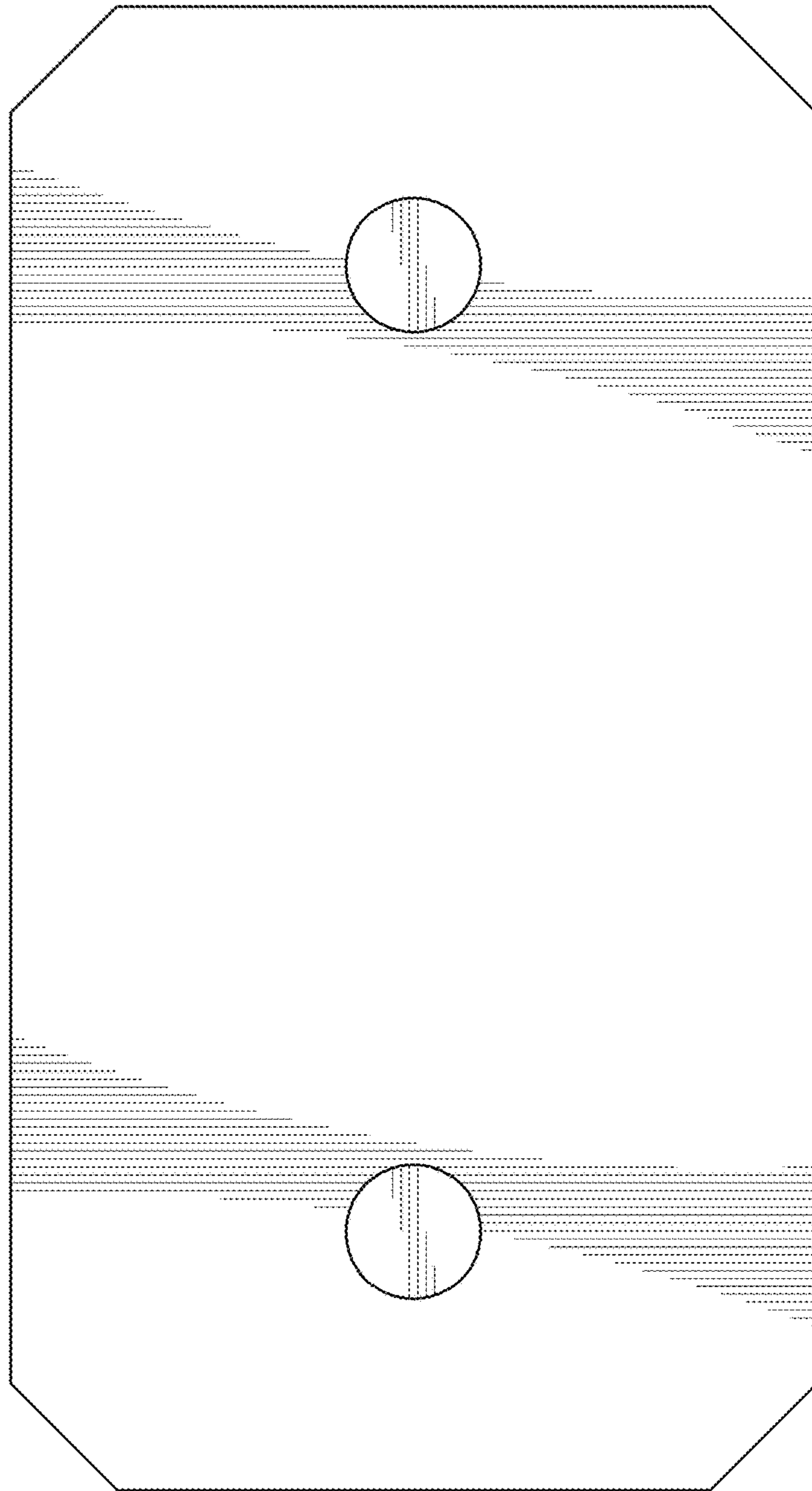


FIG. 8