



US00D820927S

(12) **United States Design Patent**
Seagram et al.

(10) **Patent No.:** **US D820,927 S**
(45) **Date of Patent:** **** Jun. 19, 2018**

- (54) **GOLF CLUB HEAD**
- (71) Applicant: **DUNLOP SPORTS CO. LTD.**,
Kobe-shi, Hyogo (JP)
- (72) Inventors: **Phillip C. Seagram**, Huntington Beach,
CA (US); **Mika Becktor**, New York,
NY (US)
- (73) Assignee: **DUNLOP SPORTS CO. LTD.**, Kobe
(JP)
- (**) Term: **15 Years**
- (21) Appl. No.: **29/606,981**
- (22) Filed: **Jun. 9, 2017**
- (51) **LOC (11) Cl.** **21-02**
- (52) **U.S. Cl.**
USPC **D21/742**
- (58) **Field of Classification Search**
USPC D21/736-746, 759
CPC A63B 53/00; A63B 53/04; A63B 53/007;
A63B 53/065; A63B 53/0487; A63B
60/00; A63B 60/46
See application file for complete search history.

- D337,803 S * 7/1993 Sillers D21/741
- 5,417,429 A * 5/1995 Strand A63B 69/3685
473/251
- D527,433 S * 8/2006 Hueber D21/743
- D634,381 S * 3/2011 Cardani D21/736
- D776,219 S * 1/2017 Sheldon D21/759
- D777,268 S * 1/2017 Becktor D21/742
- D799,616 S * 10/2017 Becktor D21/742
- D803,334 S * 11/2017 Becktor D21/742

* cited by examiner

Primary Examiner — Mitchell I. Siegel

(74) *Attorney, Agent, or Firm* — Oliff PLC

(57) **CLAIM**

The ornamental design for a golf club head, as shown and described.

DESCRIPTION

FIG. 1 is a front, heel-side, top, perspective view of the golf club head;
 FIG. 2 is a rear, heel-side, top perspective view thereof;
 FIG. 3 is a front elevational view thereof;
 FIG. 4 is a top plan view thereof;
 FIG. 5 is a heel-side elevational view thereof;
 FIG. 6 is a toe-side elevational view thereof;
 FIG. 7 is a rear elevational view thereof; and,
 FIG. 8 is a bottom plan view thereof.

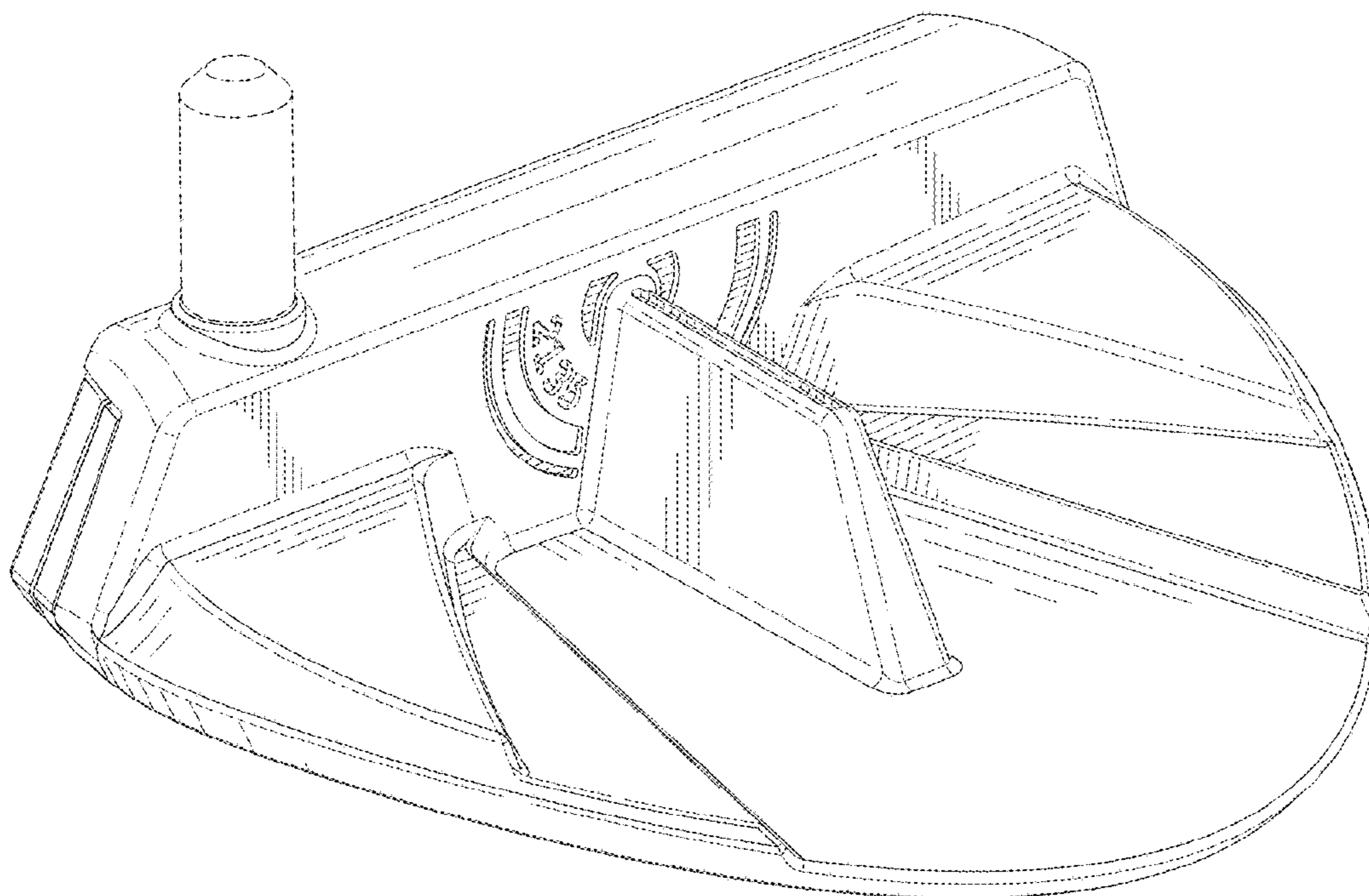
The broken lines depict unclaimed parts of the golf club head, and thus form no part of the claimed design.

1 Claim, 7 Drawing Sheets

(56) **References Cited**

U.S. PATENT DOCUMENTS

- D233,454 S * 10/1974 Winter D21/746
- D297,964 S * 10/1988 Shearer D21/743



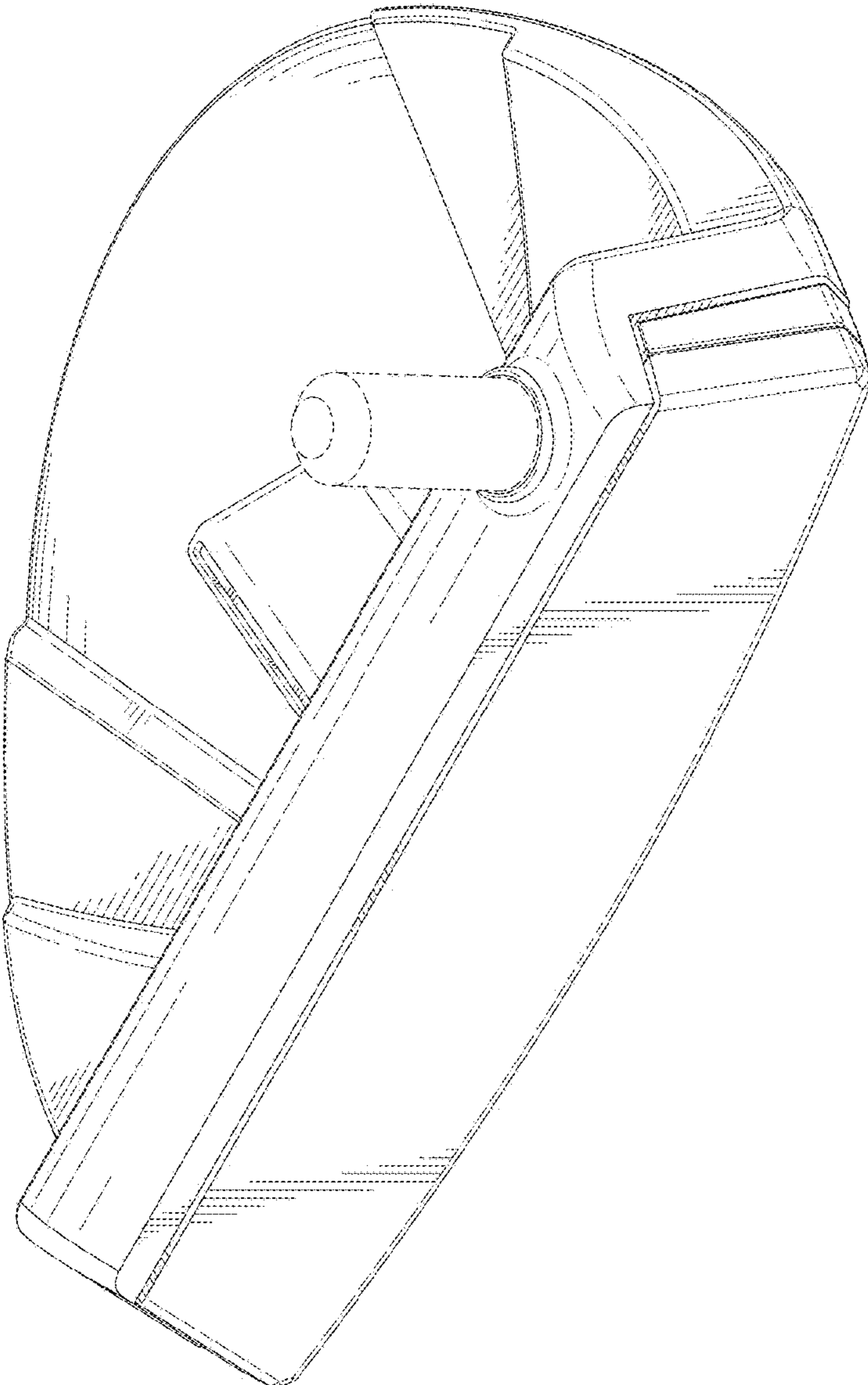


FIG. 1

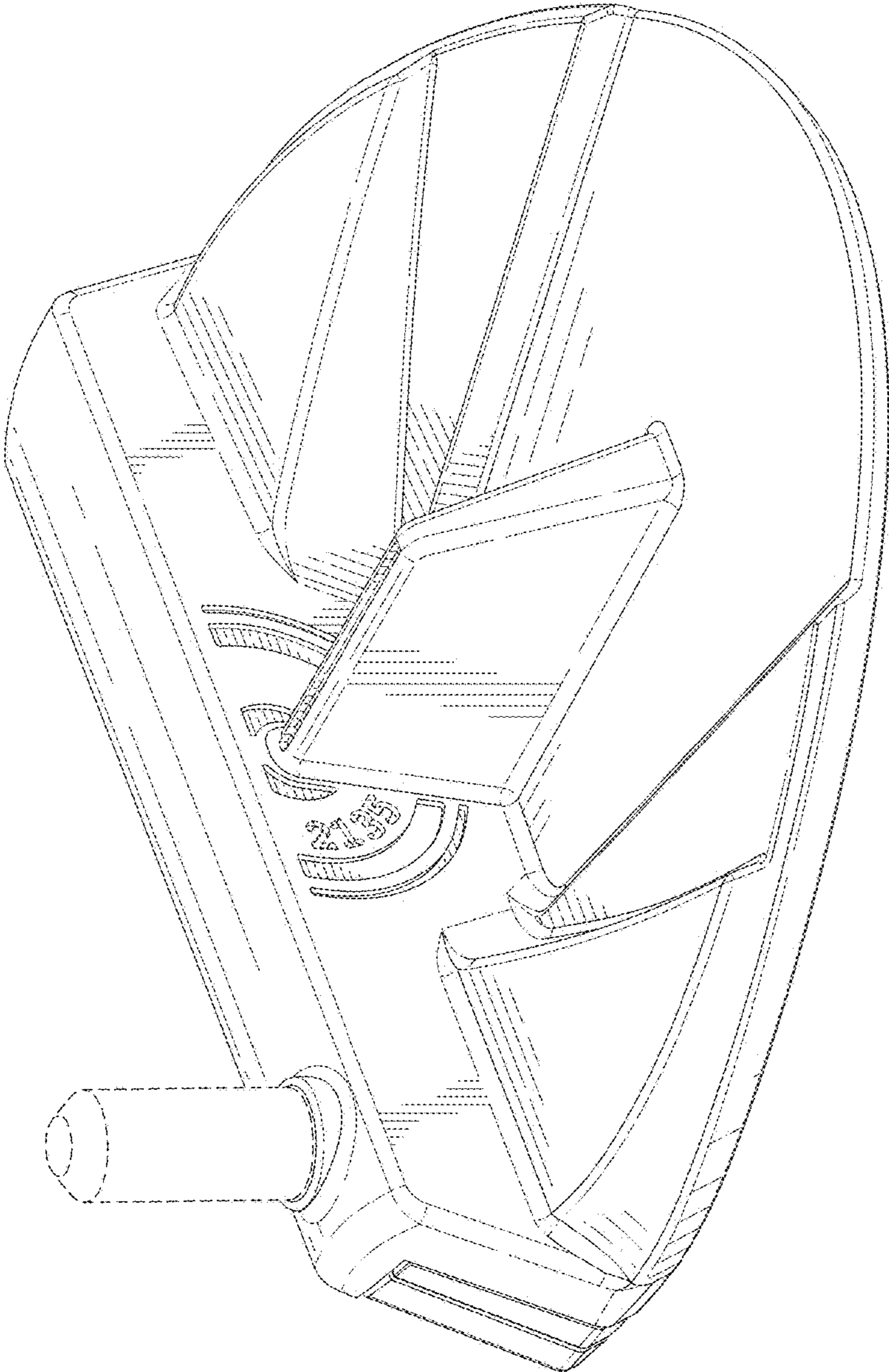


FIG. 2

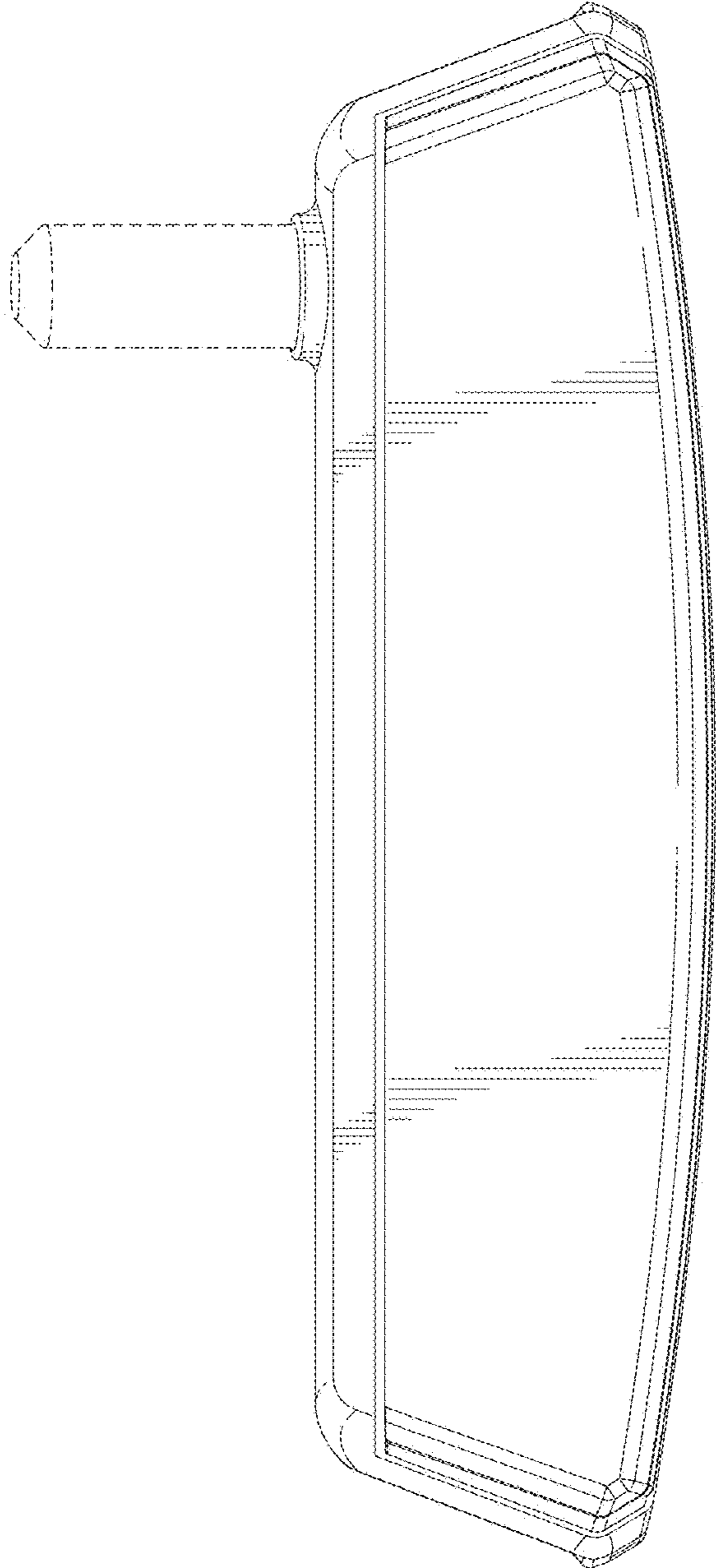


FIG. 3

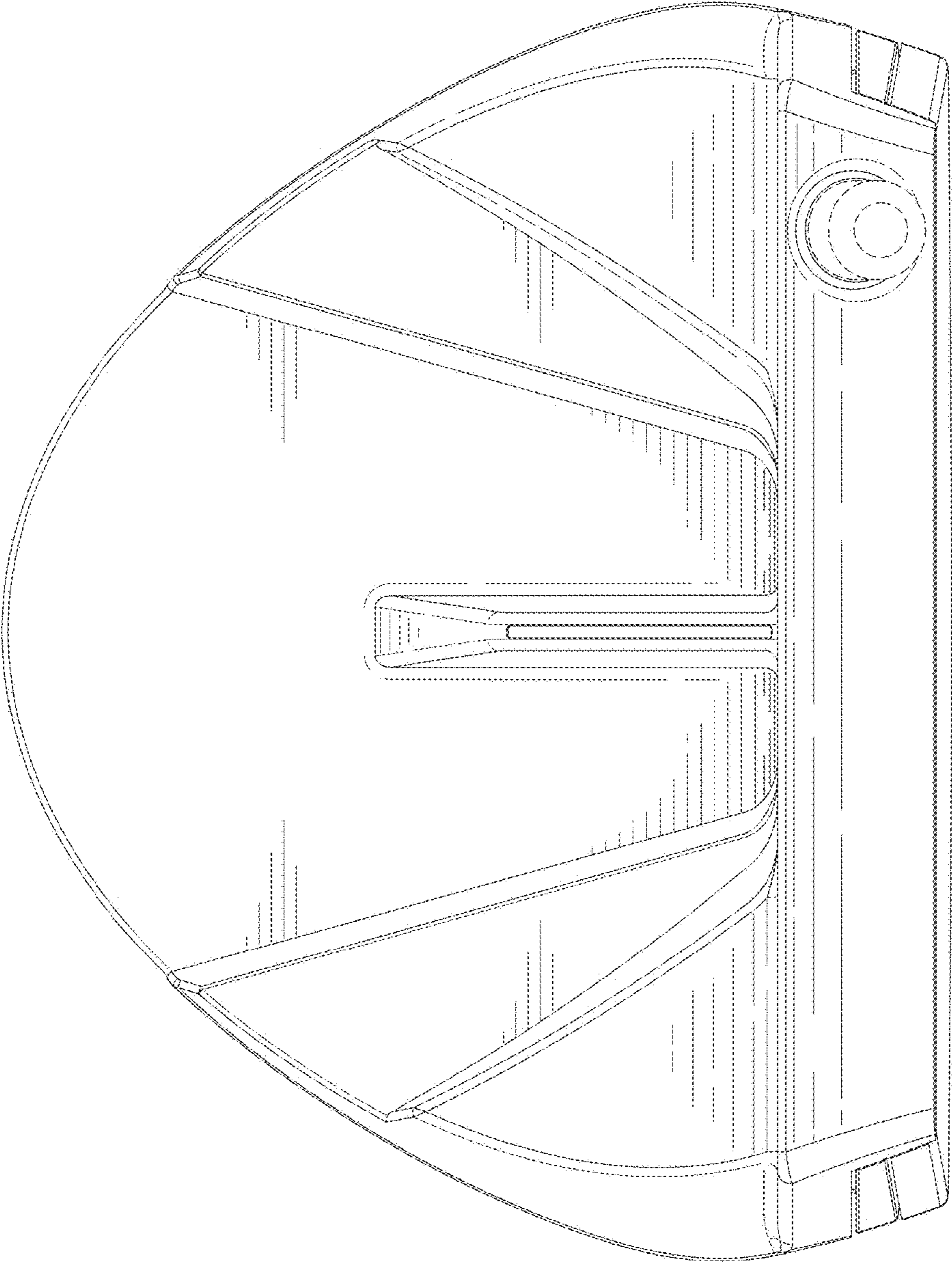


FIG. 4

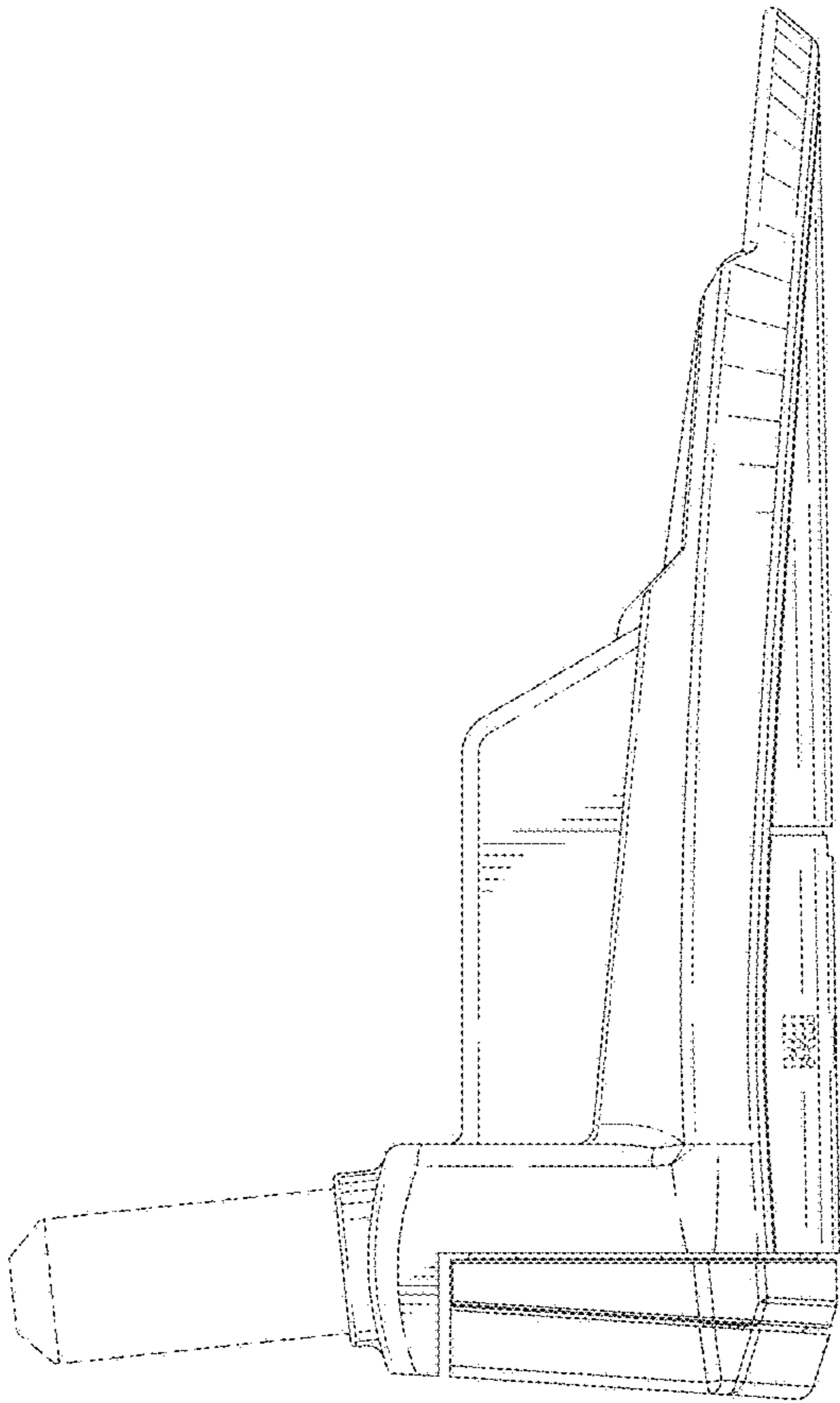


FIG. 5

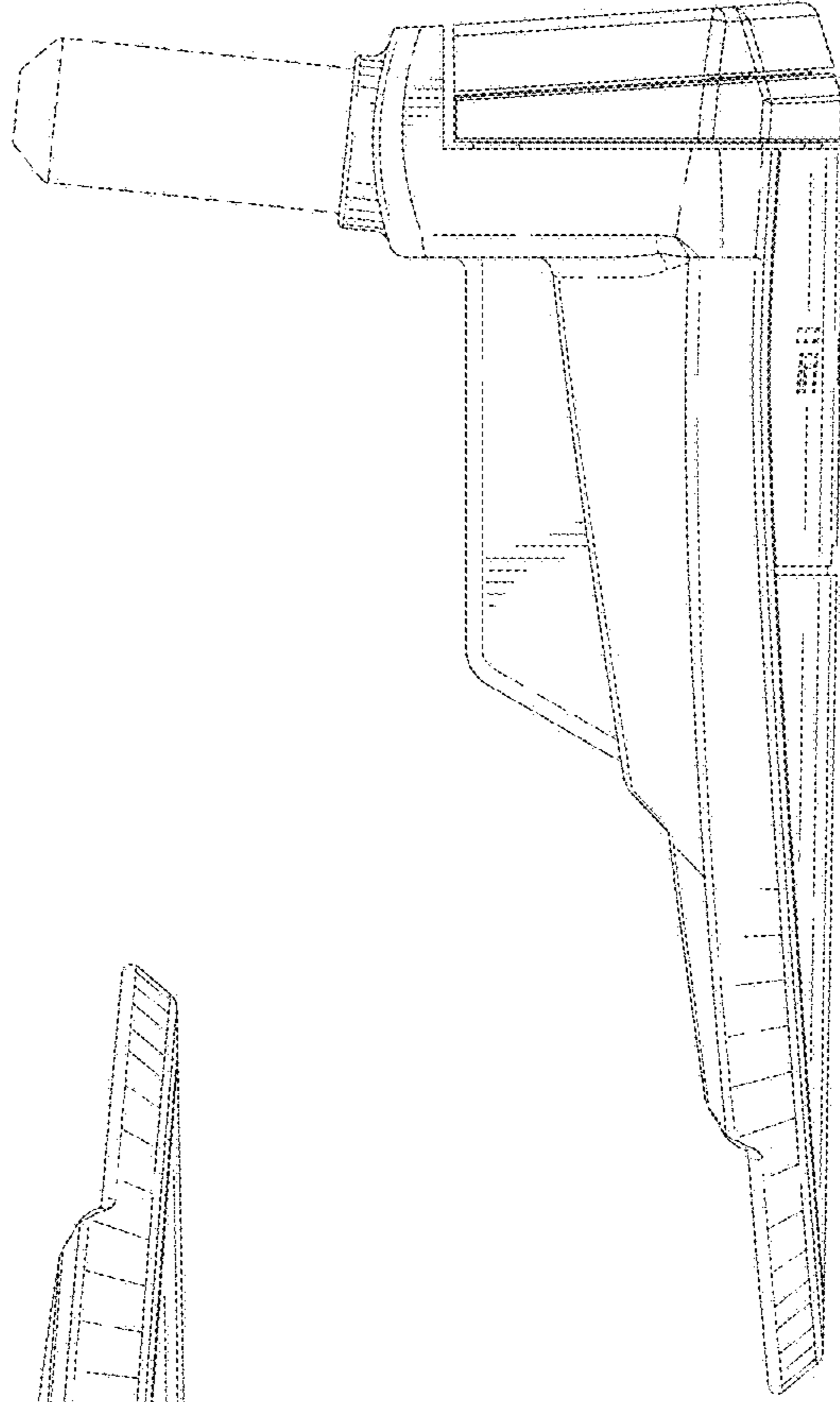


FIG. 6

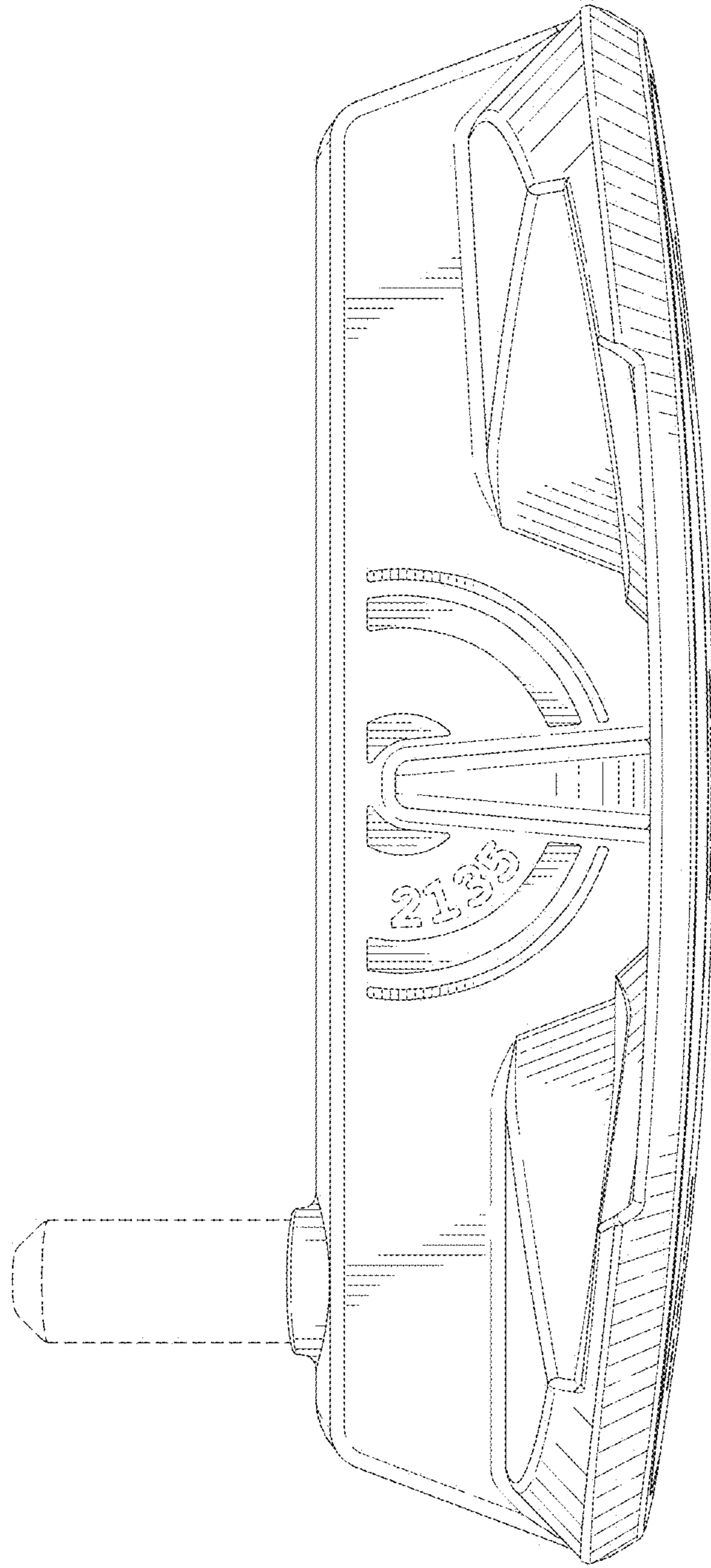


FIG. 7

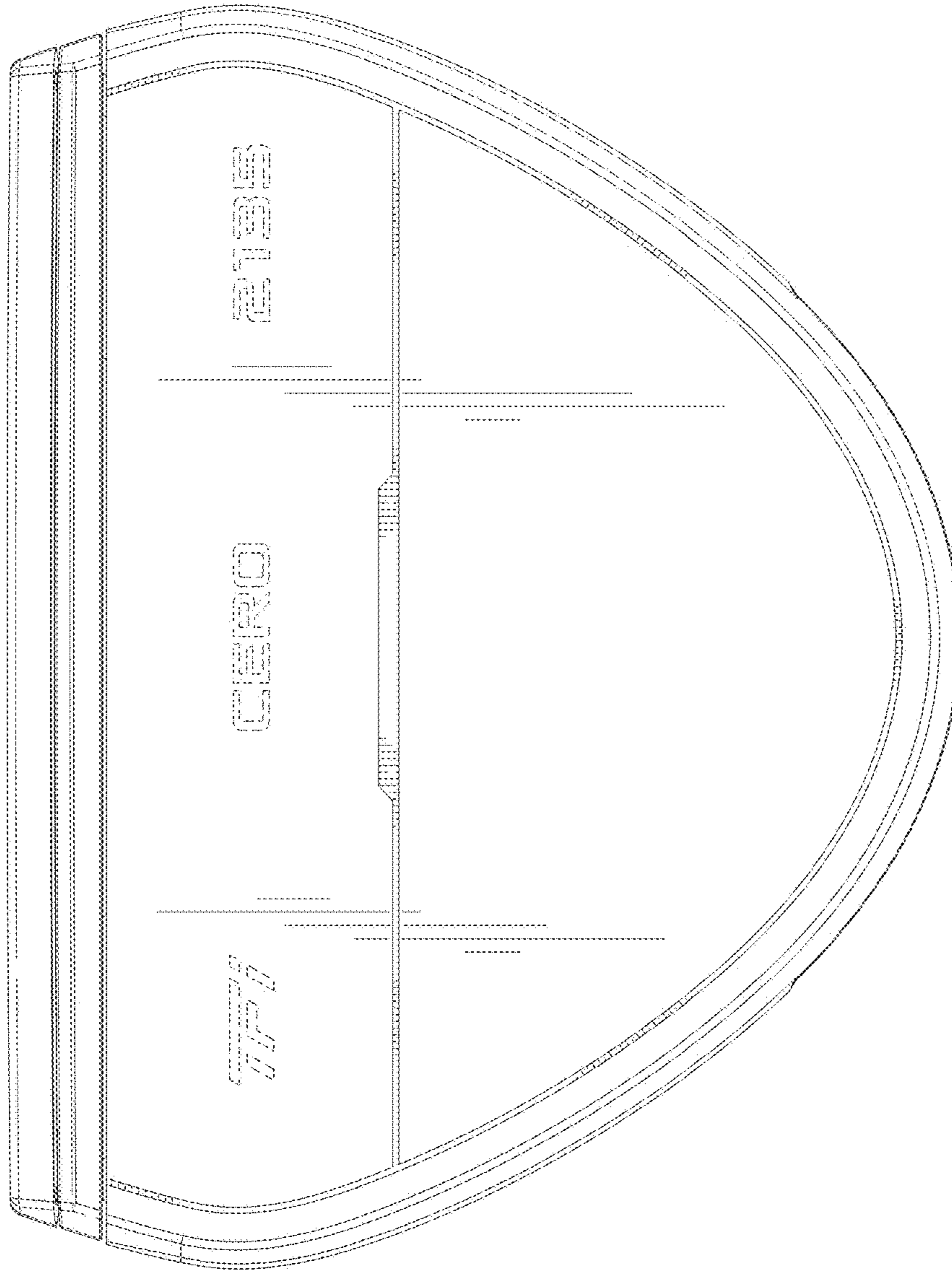


FIG. 8