



US00D820926S

(12) **United States Design Patent**
Becktor

(10) **Patent No.:** **US D820,926 S**

(45) **Date of Patent:** **** Jun. 19, 2018**

(54) **GOLF CLUB HEAD**

(71) Applicant: **DUNLOP SPORTS CO. LTD.**,
Kobe-shi, Hyogo (JP)

(72) Inventor: **Mika Becktor**, New York, NY (US)

(73) Assignee: **DUNLOP SPORTS CO. LTD.**, Kobe
(JP)

(**) Term: **15 Years**

(21) Appl. No.: **29/606,979**

(22) Filed: **Jun. 9, 2017**

(51) **LOC (11) Cl.** **21-02**

(52) **U.S. Cl.**
USPC **D21/742**

(58) **Field of Classification Search**
USPC D21/736-746, 759
CPC A63B 53/00; A63B 53/04; A63B 53/007;
A63B 53/065; A63B 53/0487; A63B
60/00; A63B 60/46
See application file for complete search history.

(56) **References Cited**

U.S. PATENT DOCUMENTS

D228,930 S	*	10/1973	Leigh	D21/742
D239,402 S	*	3/1976	Kindred	D21/741
D291,343 S	*	8/1987	Shearer	D21/744
D297,445 S	*	8/1988	Shearer	D21/743
D297,446 S	*	8/1988	Shearer	D21/743
D297,964 S	*	10/1988	Shearer	D21/743
D313,449 S	*	1/1991	Shearer	D21/743
D313,451 S	*	1/1991	Shearer	D21/743
D322,650 S	*	12/1991	Shearer	D21/743

D322,829 S	*	12/1991	Antonious	D21/742
D325,950 S	*	5/1992	Duran	D21/744
D329,890 S	*	9/1992	Pinder	D21/742
D337,803 S	*	7/1993	Sillers	D21/741
5,417,429 A	*	5/1995	Strand	A63B 69/3685 473/251
D360,669 S	*	7/1995	Buscemi	D21/743
D495,389 S	*	8/2004	Pinder	D21/736
D532,066 S	*	11/2006	Tang	D21/736
D682,376 S	*	5/2013	Oliveiro	D21/736
D763,373 S	*	8/2016	Cardani	D21/736
D776,219 S	*	1/2017	Sheldon	D21/759
D779,606 S	*	2/2017	Becktor	D21/742
D780,275 S	*	2/2017	Becktor	D21/759

* cited by examiner

Primary Examiner — Mitchell I. Siegel

(74) *Attorney, Agent, or Firm* — Oliff PLC

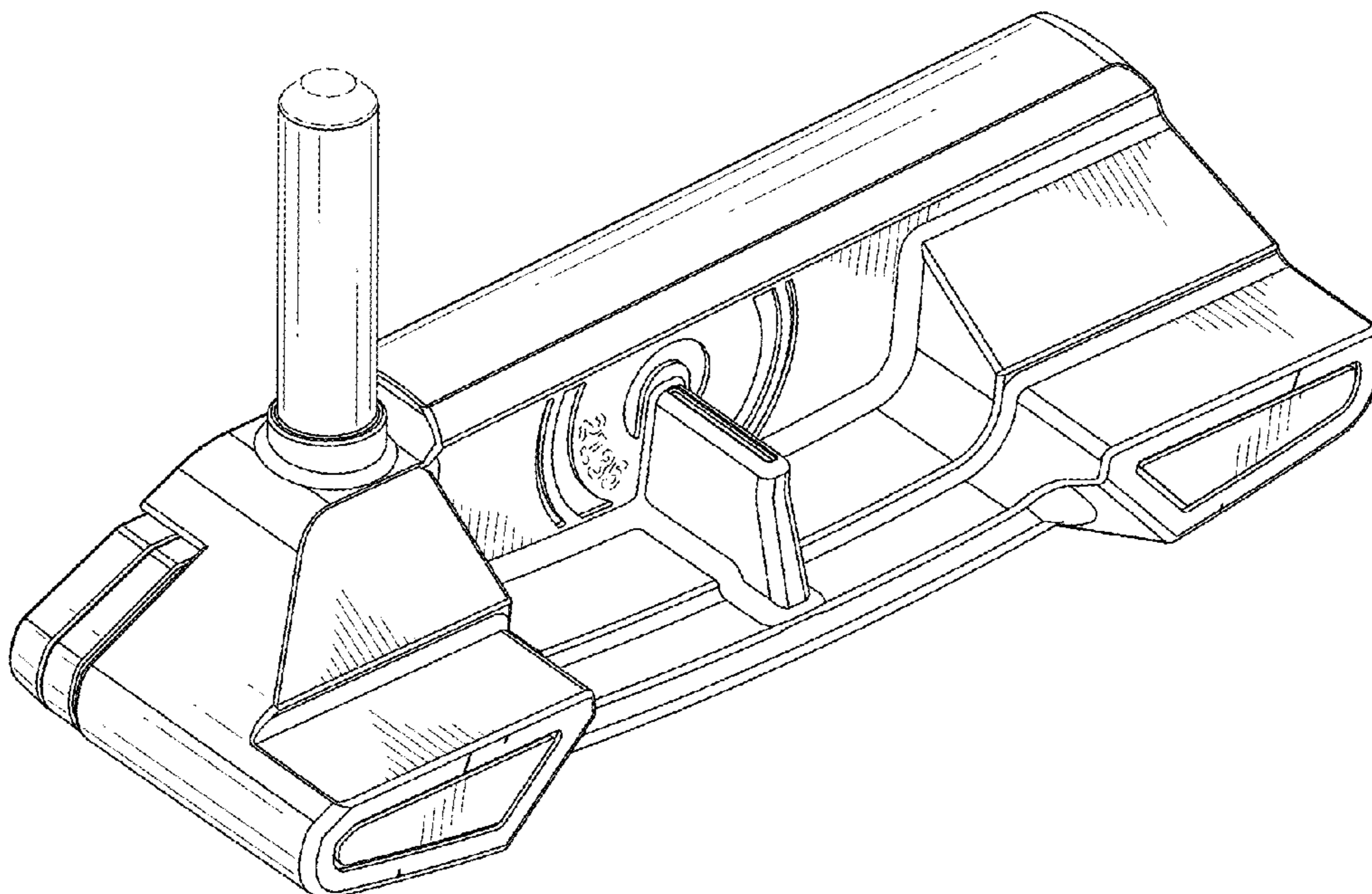
(57) **CLAIM**

The ornamental design for a golf club head, as shown and described.

DESCRIPTION

FIG. 1 is a top, toe-side, front perspective view of the golf club head;
FIG. 2 is a front elevational view thereof;
FIG. 3 is a top plan view thereof;
FIG. 4 is a heel-side elevational view thereof;
FIG. 5 is a toe-side elevational view thereof;
FIG. 6 is a rear elevational view thereof;
FIG. 7 is a bottom plan view thereof; and,
FIG. 8 is a top, heel-side, rear perspective view thereof.
The broken lines depict unclaimed parts of the golf club head, and thus form no part of the claimed design.

1 Claim, 7 Drawing Sheets



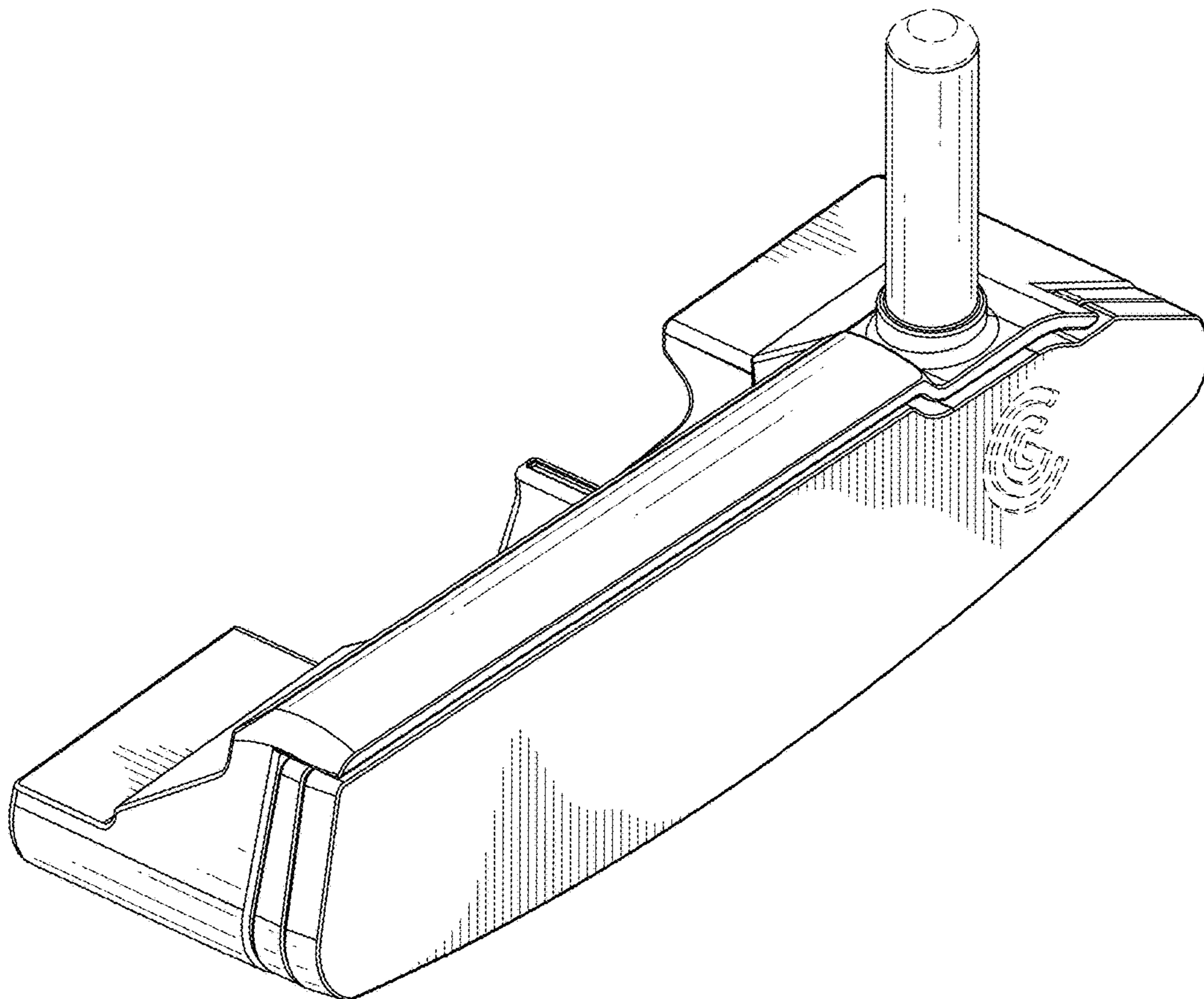


FIG. 1

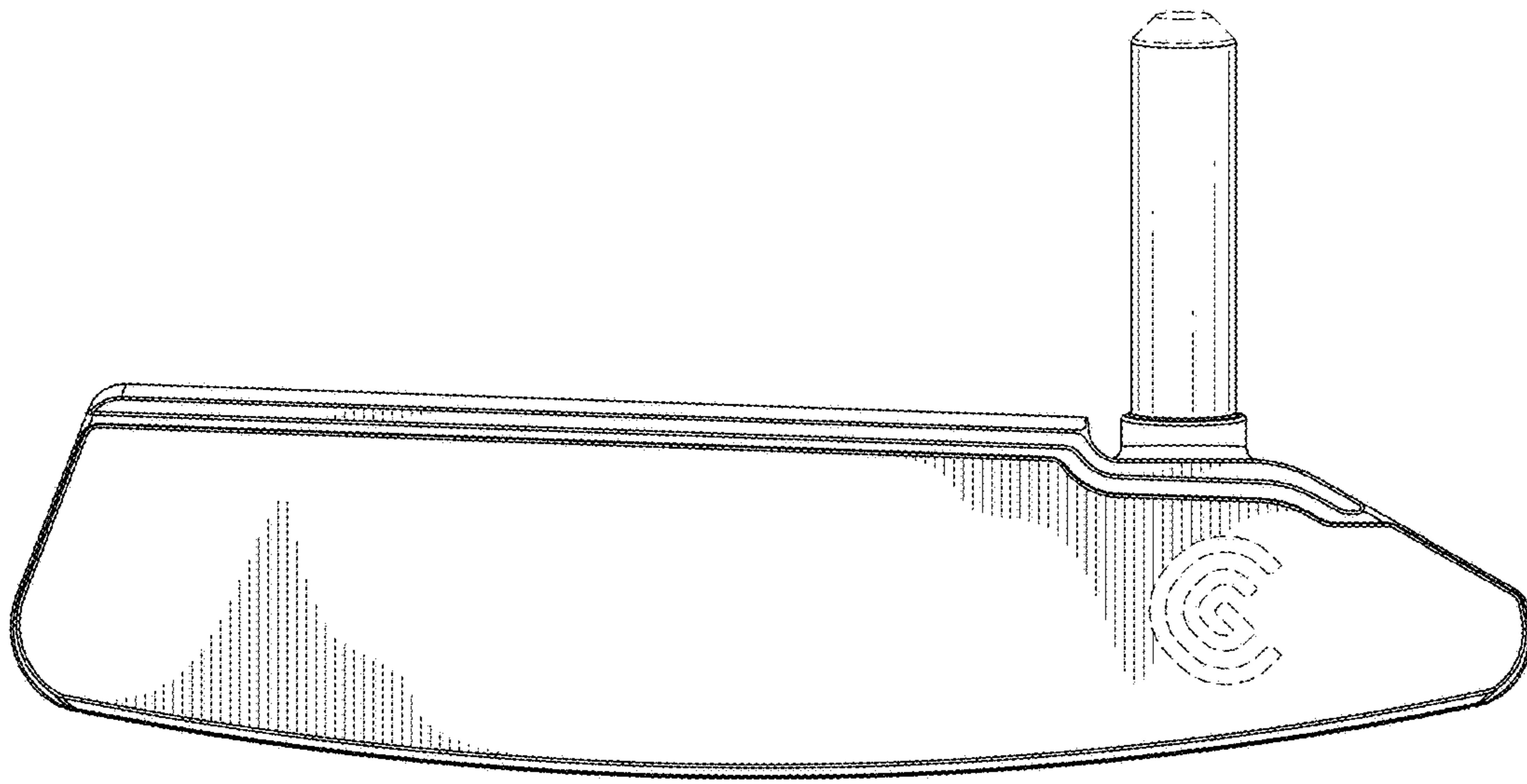


FIG. 2

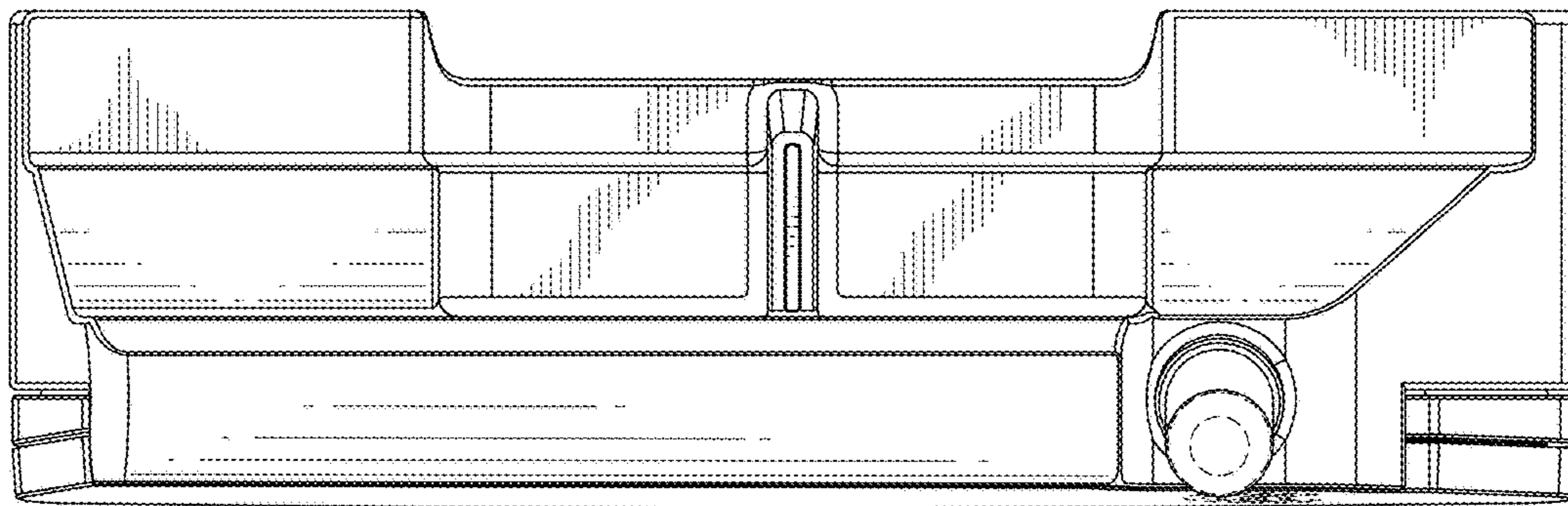


FIG. 3

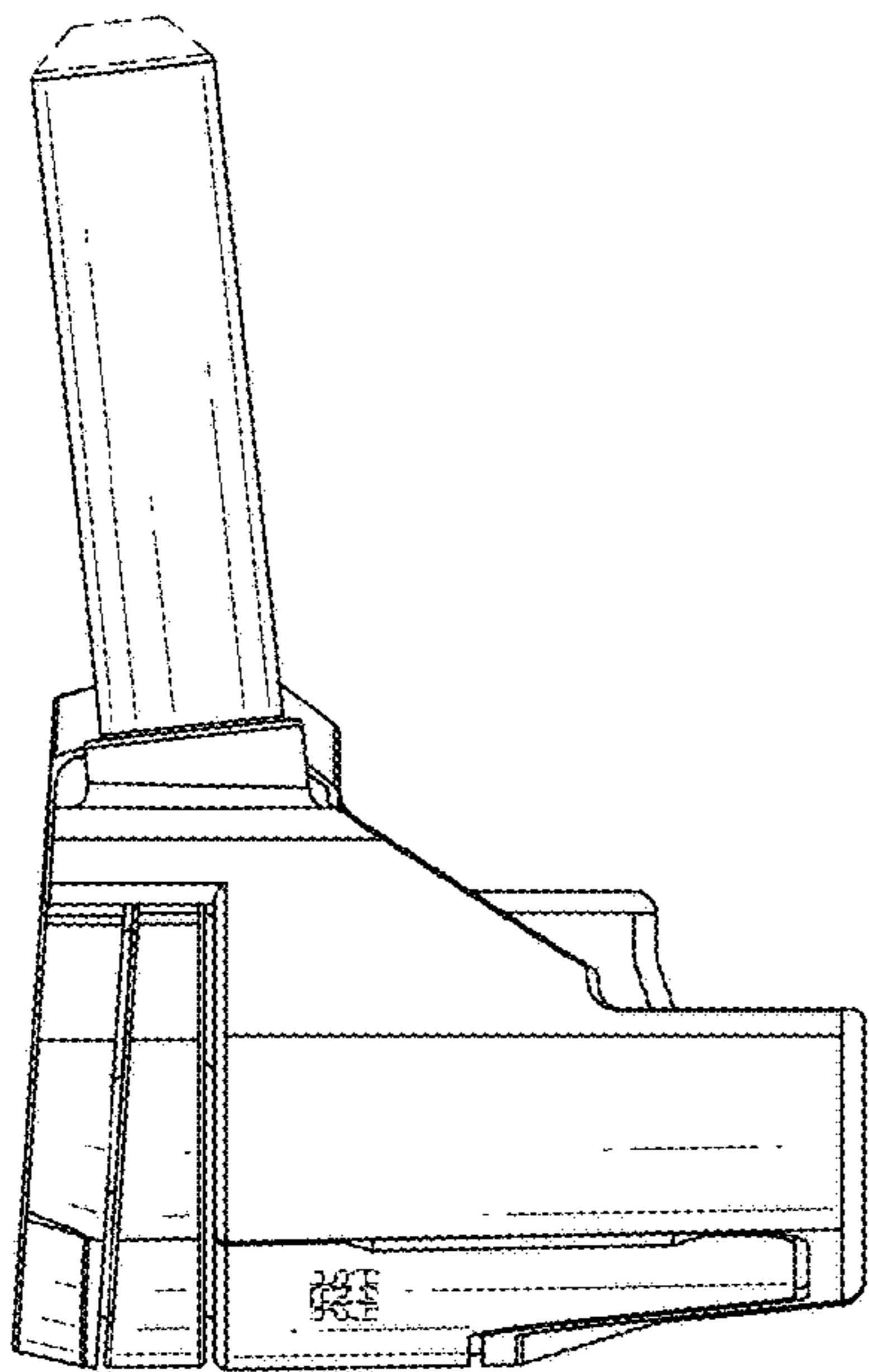


FIG. 4

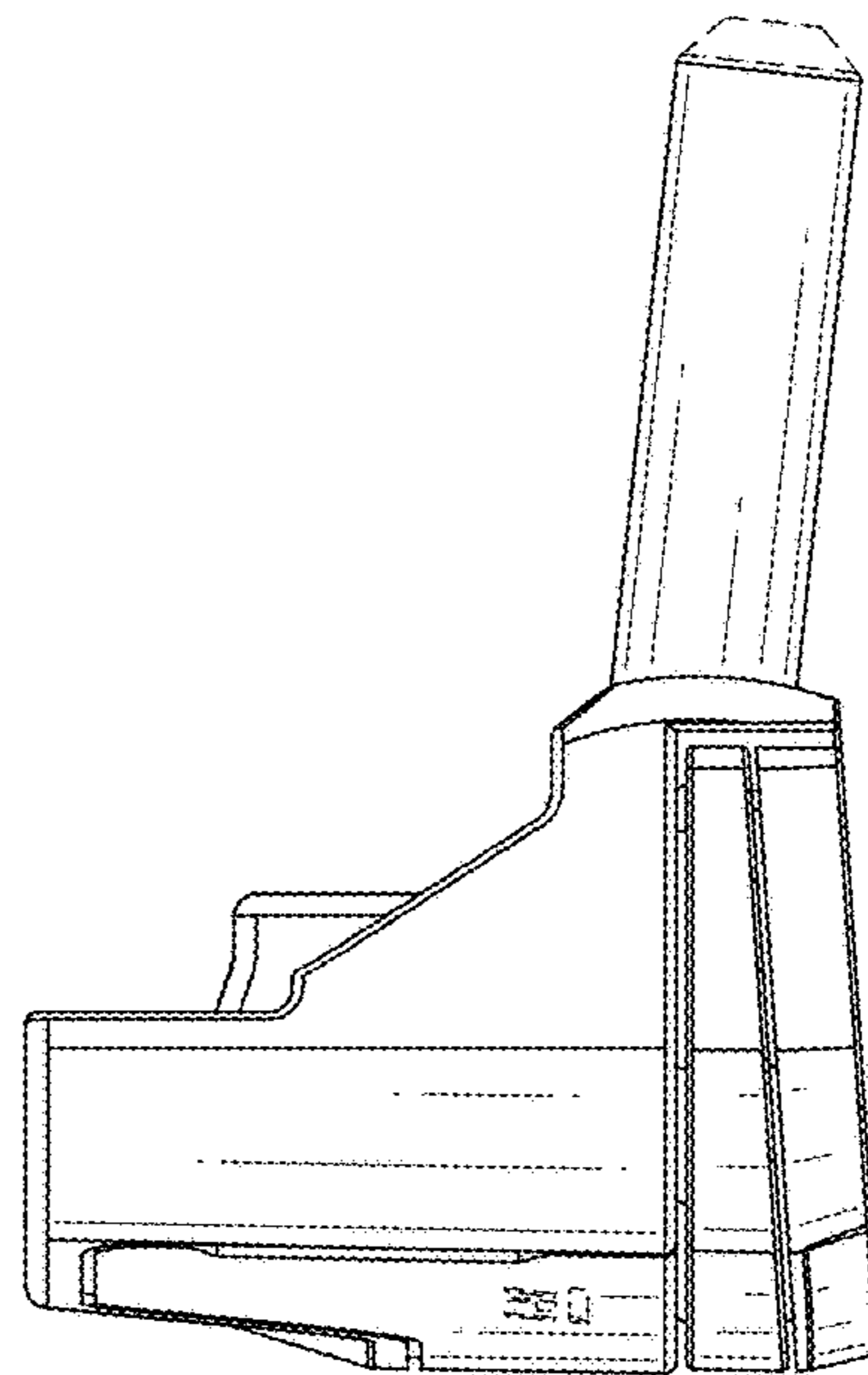


FIG. 5

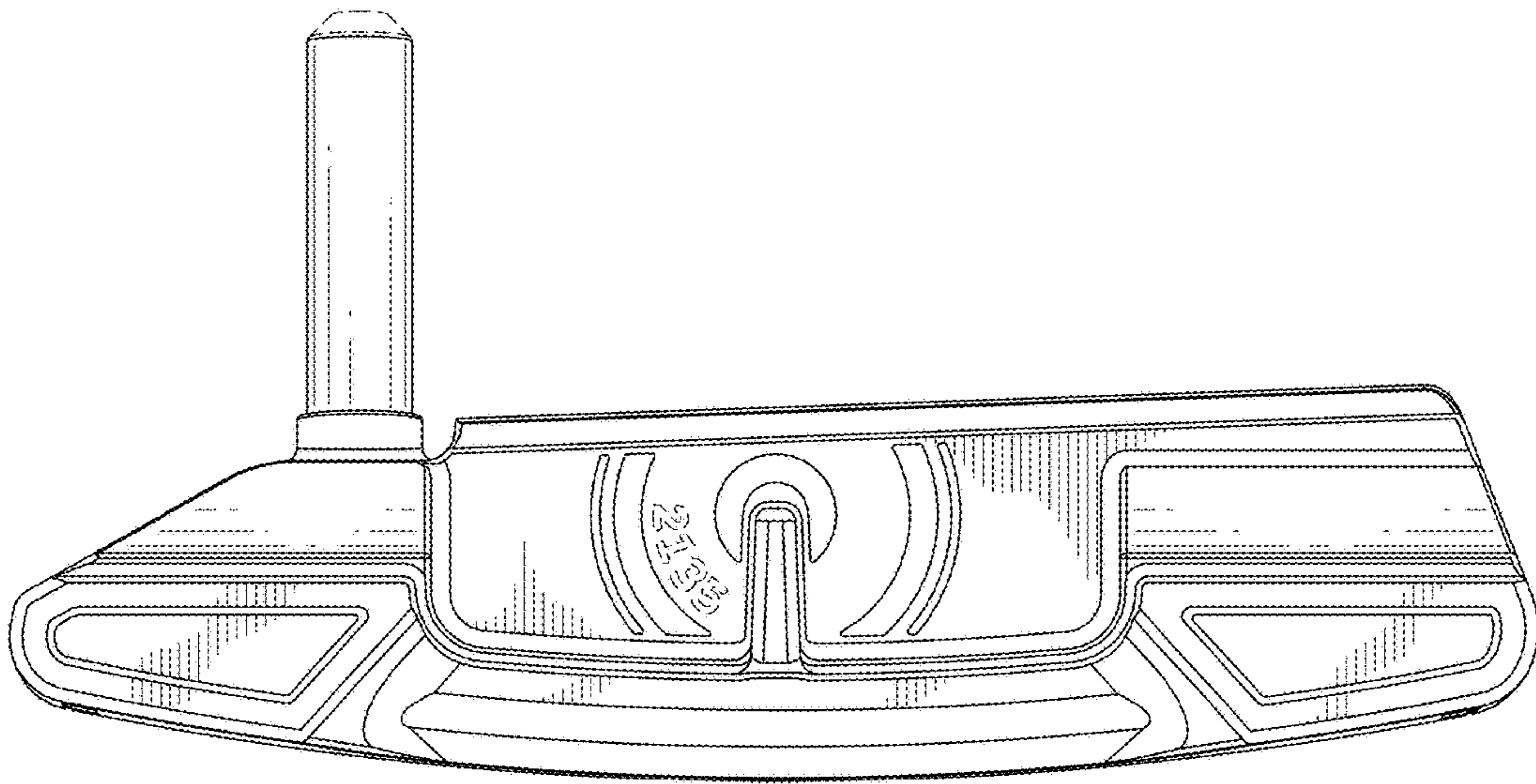


FIG. 6

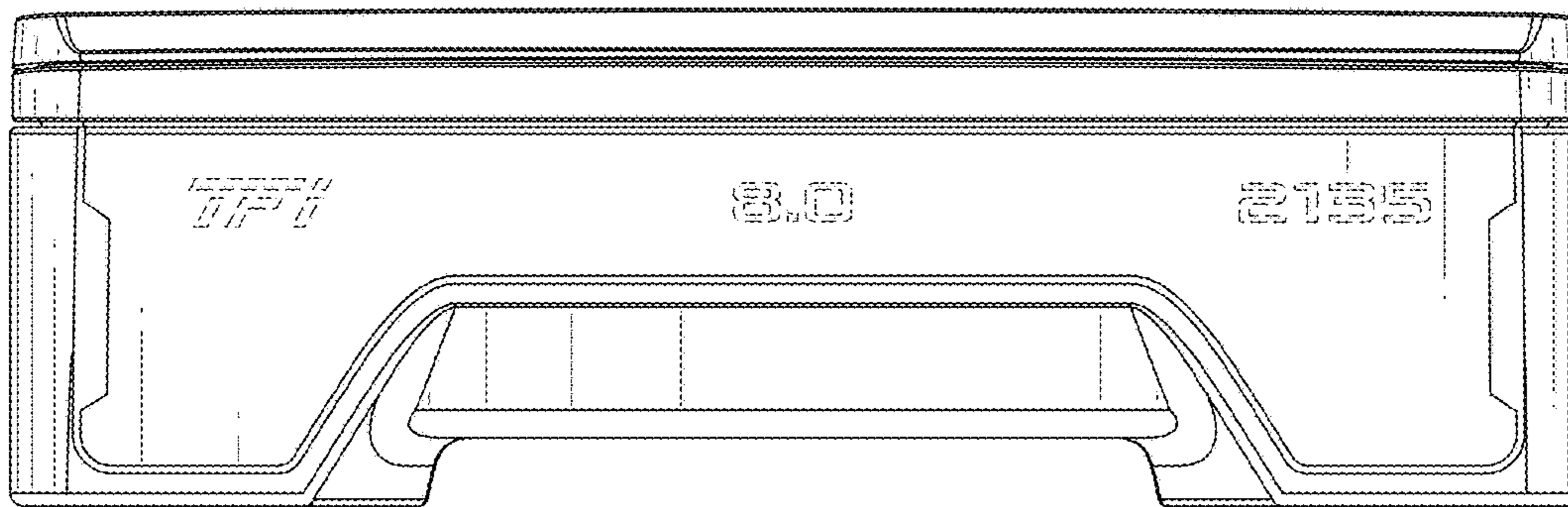


FIG. 7

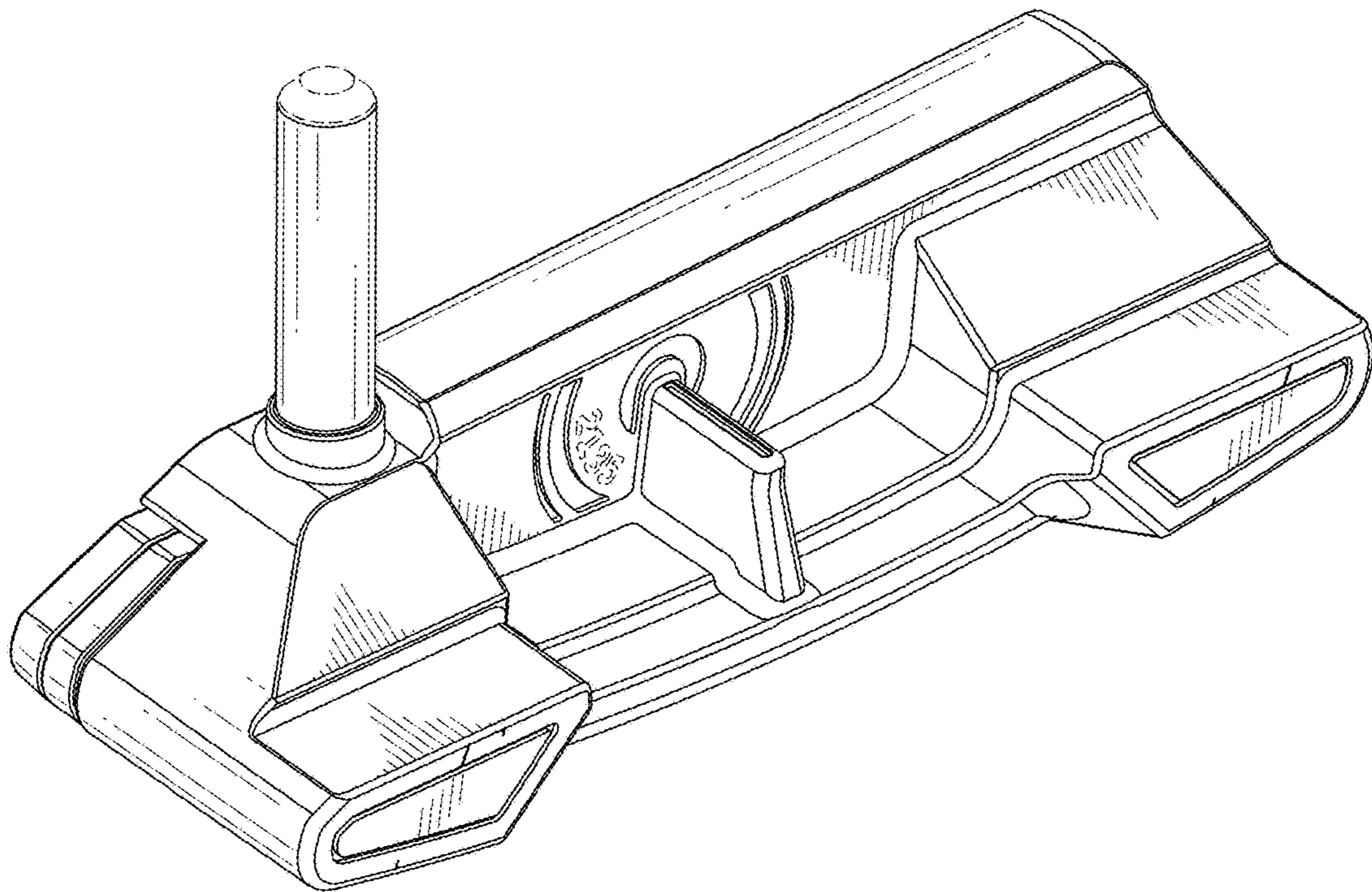


FIG. 8