



US00D820925S

(12) **United States Design Patent**
Cameron

(10) **Patent No.:** **US D820,925 S**

(45) **Date of Patent:** **** Jun. 19, 2018**

(54) **GOLF CLUB HEAD**

(71) Applicant: **Acushnet Company**, Fairhaven, MA
(US)

(72) Inventor: **Don T. Cameron**, Carlsbad, CA (US)

(73) Assignee: **Acushnet Company**, Fairhaven, MA
(US)

(**) Term: **15 Years**

(21) Appl. No.: **29/598,845**

(22) Filed: **Mar. 29, 2017**

(51) **LOC (11) Cl.** **21-02**

(52) **U.S. Cl.**
USPC **D21/736**

(58) **Field of Classification Search**
USPC D21/736-746, 759
CPC A63B 53/00; A63B 53/04; A63B 53/007;
A63B 53/065; A63B 53/0487; A63B
60/00; A63B 60/46
See application file for complete search history.

(56) **References Cited**

U.S. PATENT DOCUMENTS

4,580,784 A * 4/1986 Brill A63B 47/02
294/19.2
6,422,950 B1 * 7/2002 Whitlam A63B 53/0487
473/313

D478,642 S * 8/2003 Spino D21/736
D533,244 S * 12/2006 Kroll, Jr. D21/746
D564,607 S * 3/2008 Oldknow D21/736
D568,954 S * 5/2008 Oldknow D21/759
D573,673 S * 7/2008 Noyes D21/721
D594,917 S * 6/2009 Stellander D21/743
D603,006 S * 10/2009 Foster D21/736
D604,787 S * 11/2009 Hopkins D21/736
D670,774 S * 11/2012 Seiff D21/736
D807,453 S * 1/2018 Serrano D21/743

* cited by examiner

Primary Examiner — Mitchell I. Siegel

(74) *Attorney, Agent, or Firm* — Randy K. Chang

(57) **CLAIM**

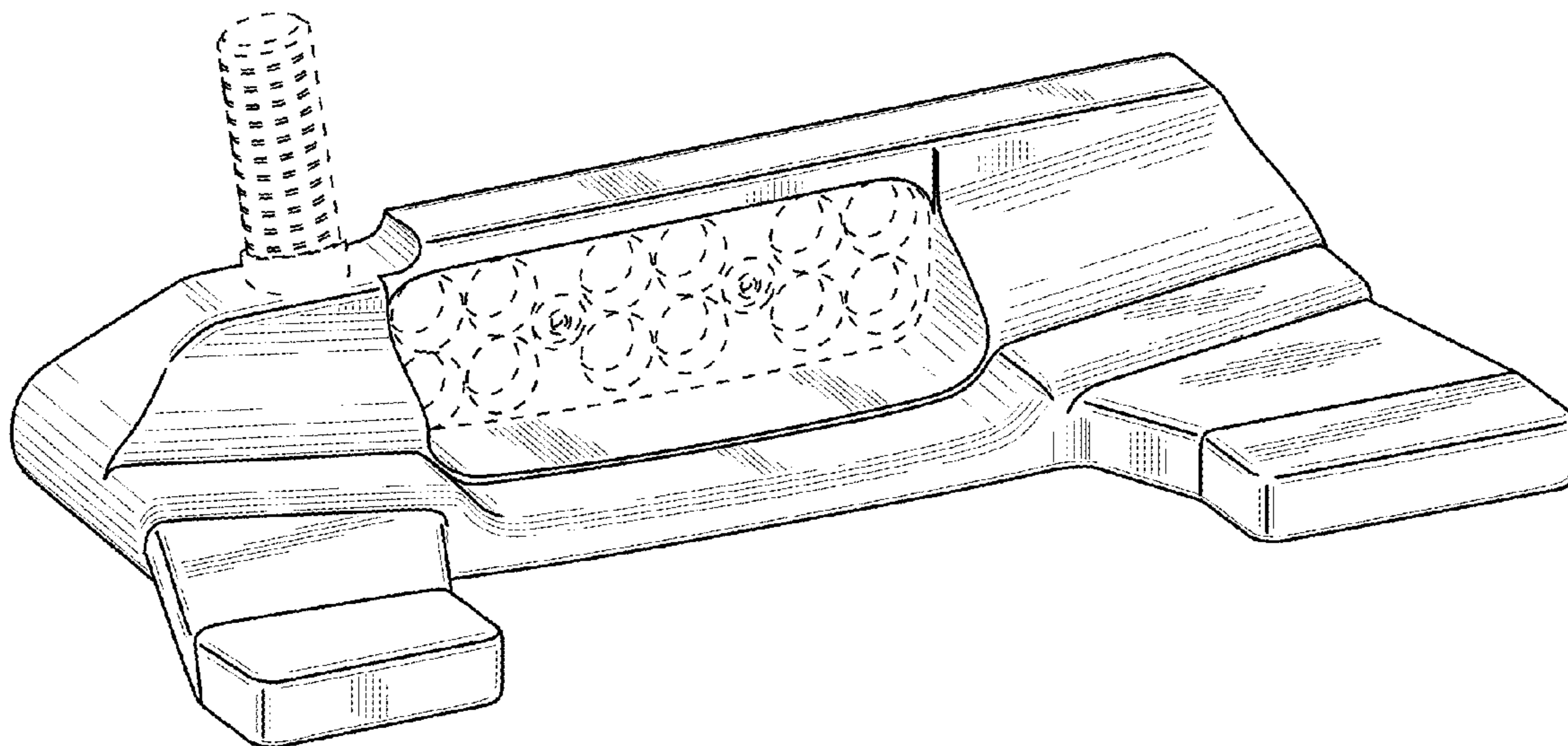
The ornamental design for a golf club head, as shown and described.

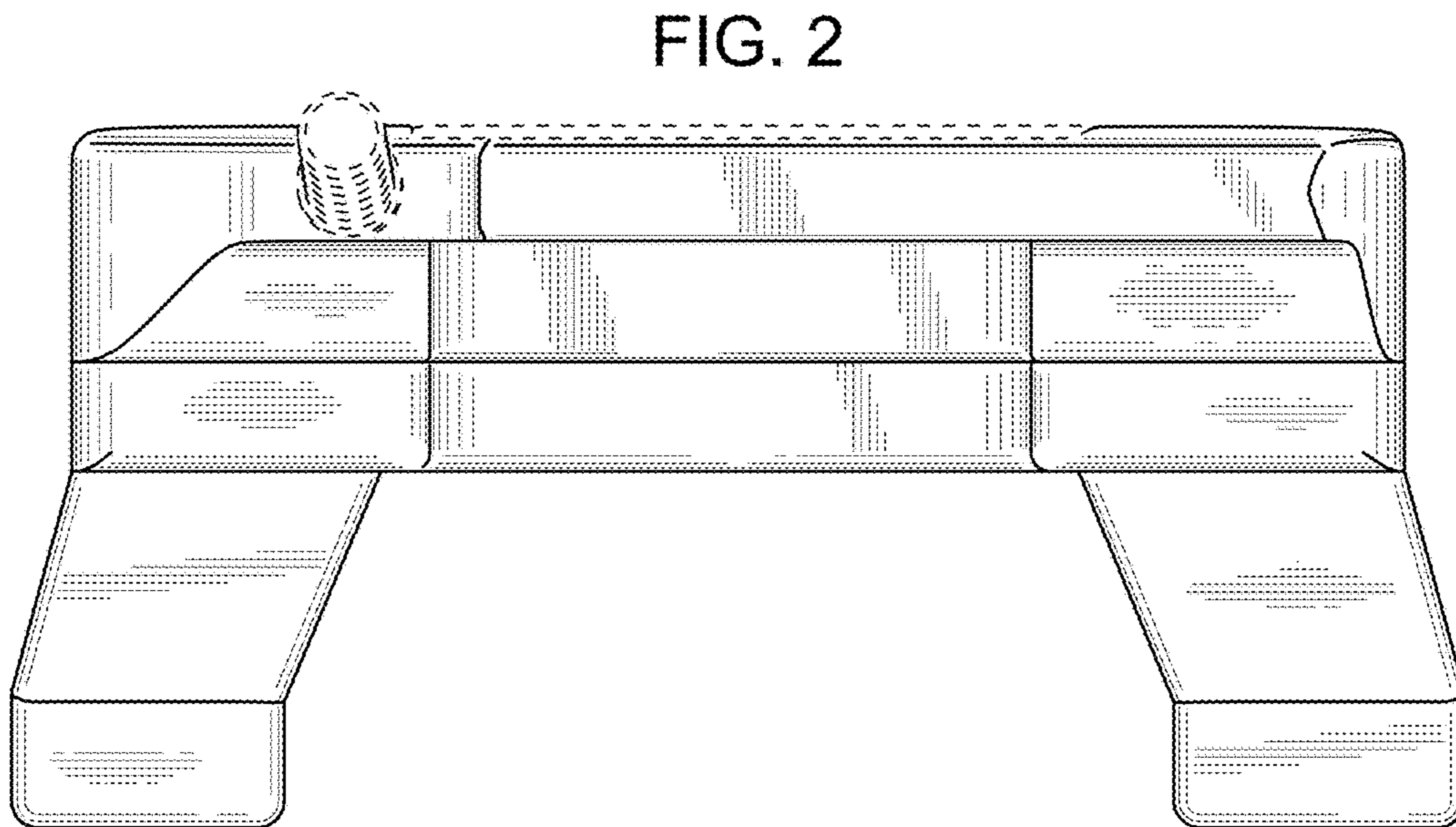
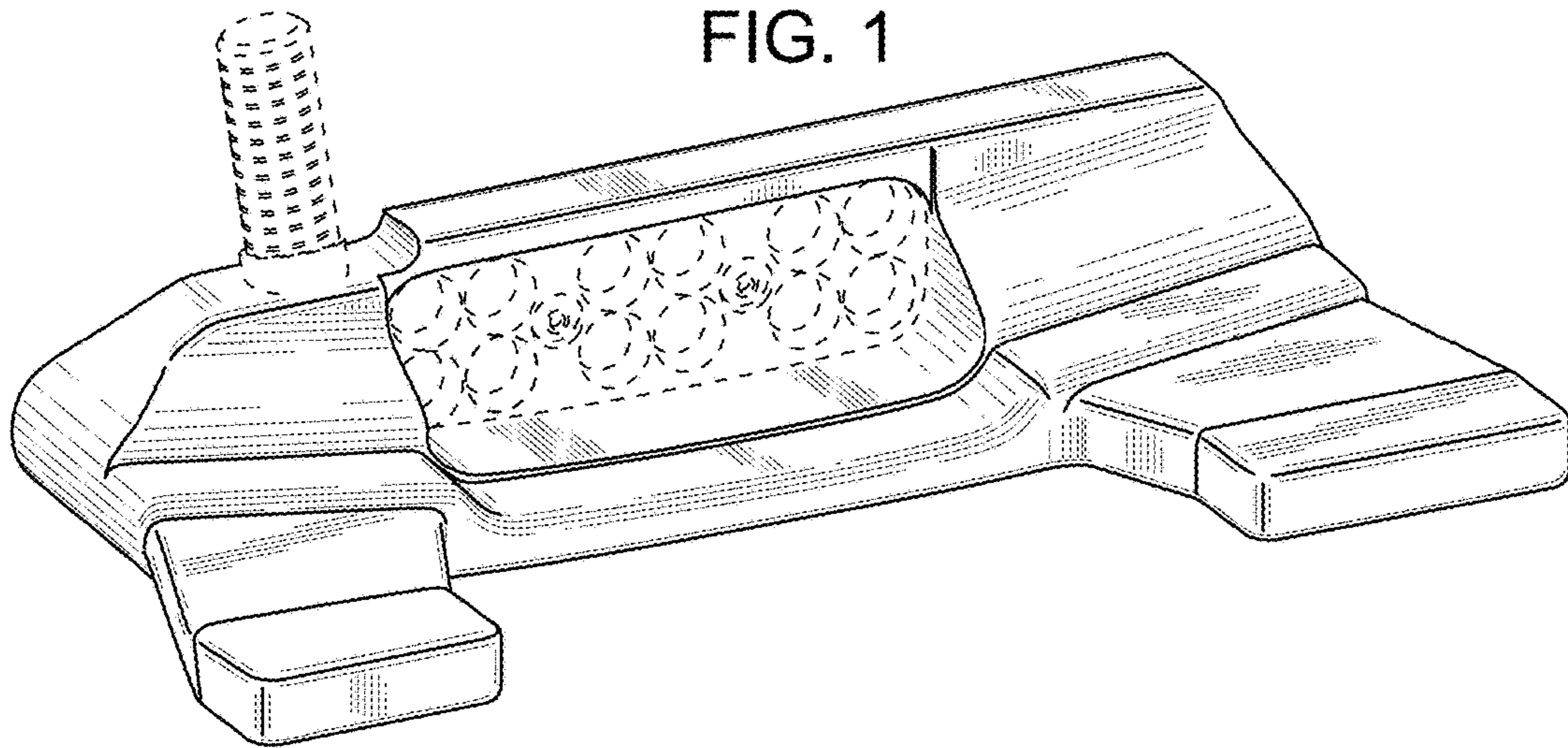
DESCRIPTION

FIG. 1 is a perspective back view of my new design for a golf club head;
FIG. 2 is a top view thereof;
FIG. 3 is a back view thereof;
FIG. 4 is a bottom sole view thereof;
FIG. 5 is a front view thereof;
FIG. 6 is a heel view thereof; and,
FIG. 7 is a toe view thereof.

The broken line showing on the golf club head is included for the purpose of illustrating and forms no part of the claimed design.

1 Claim, 3 Drawing Sheets





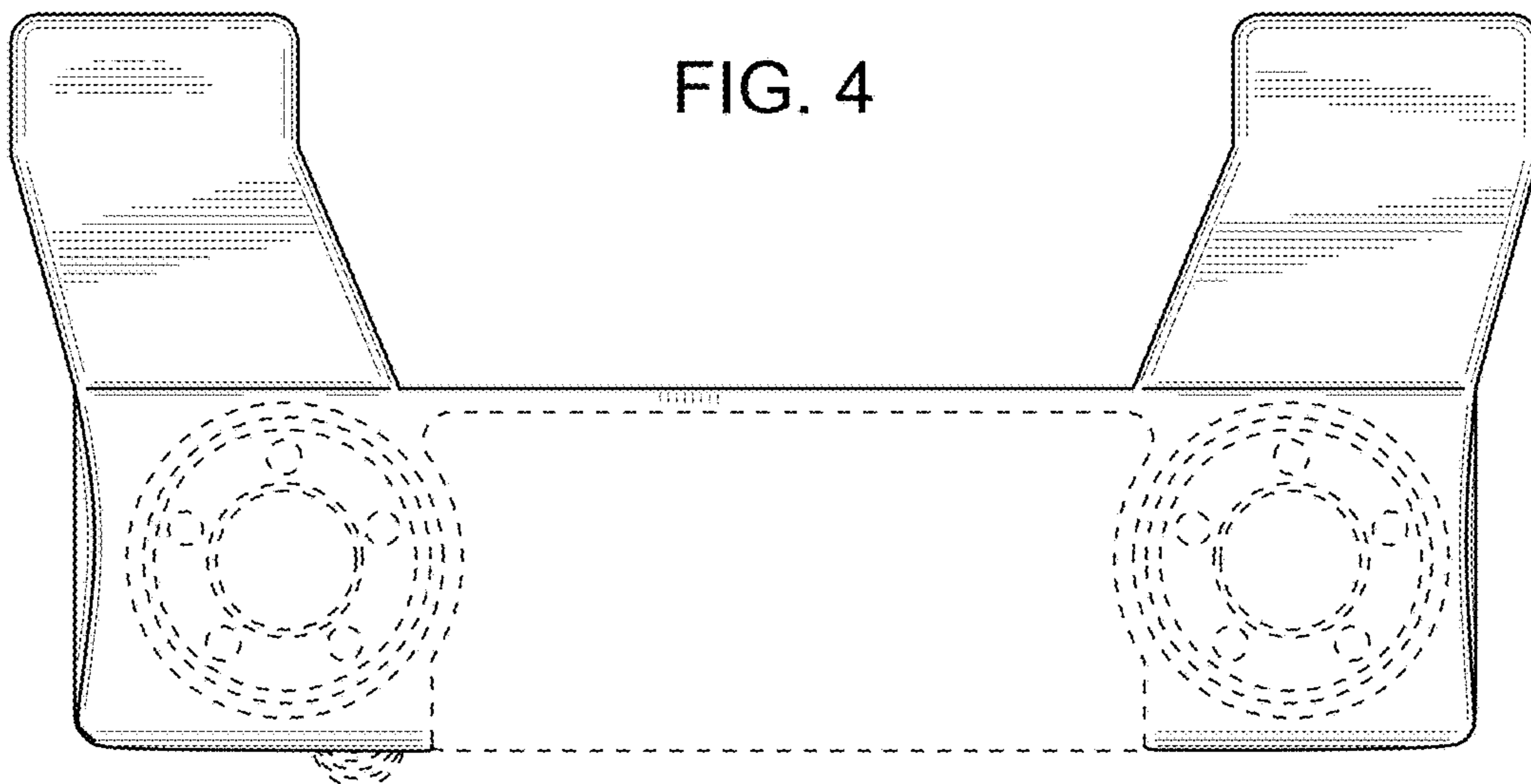
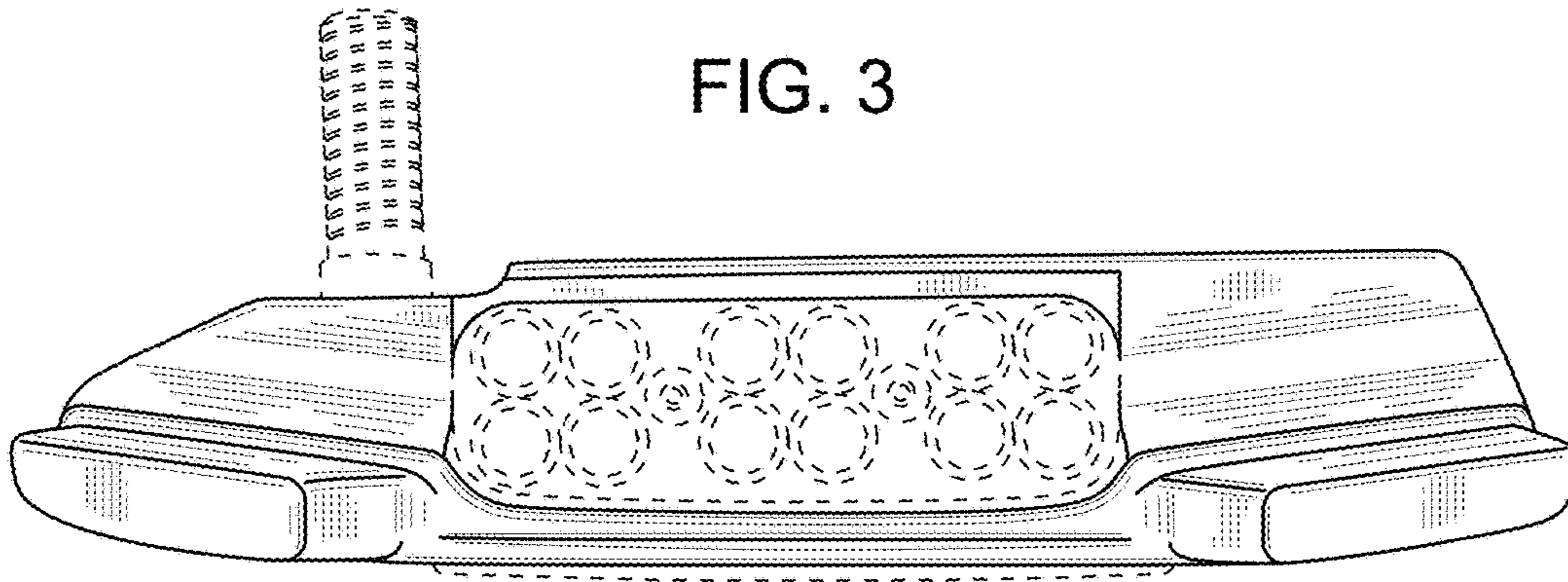


FIG. 5

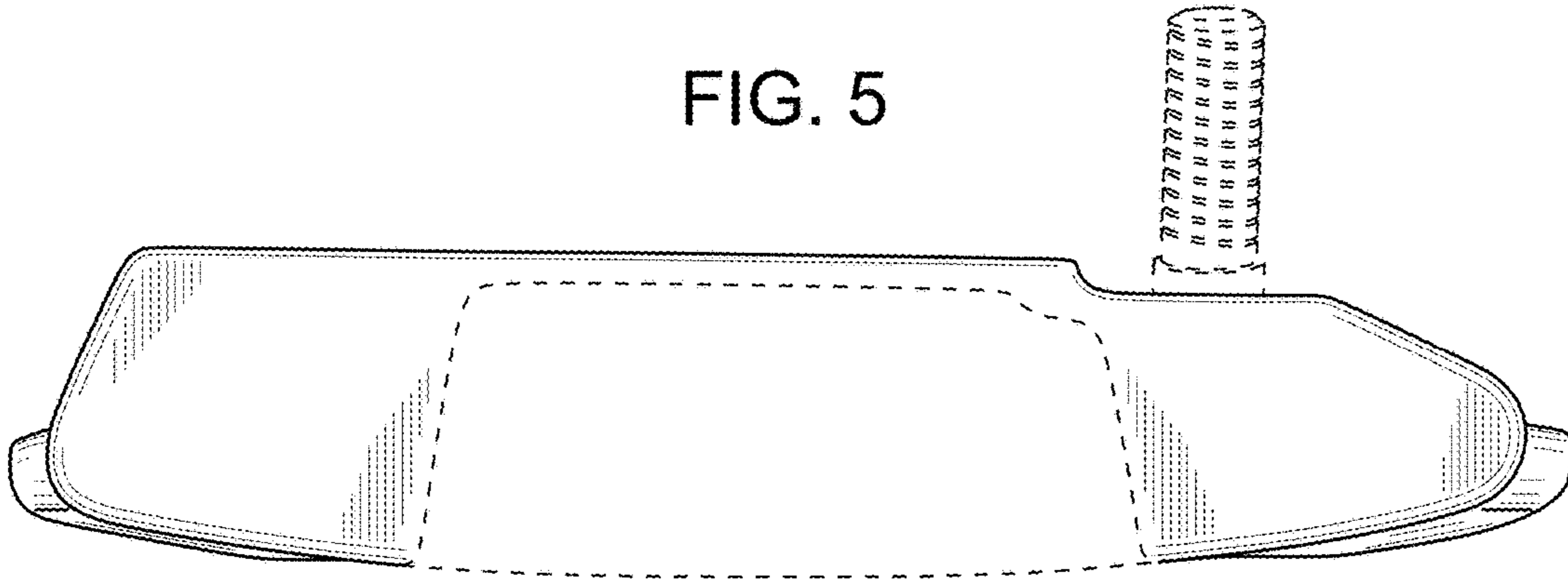


FIG. 6

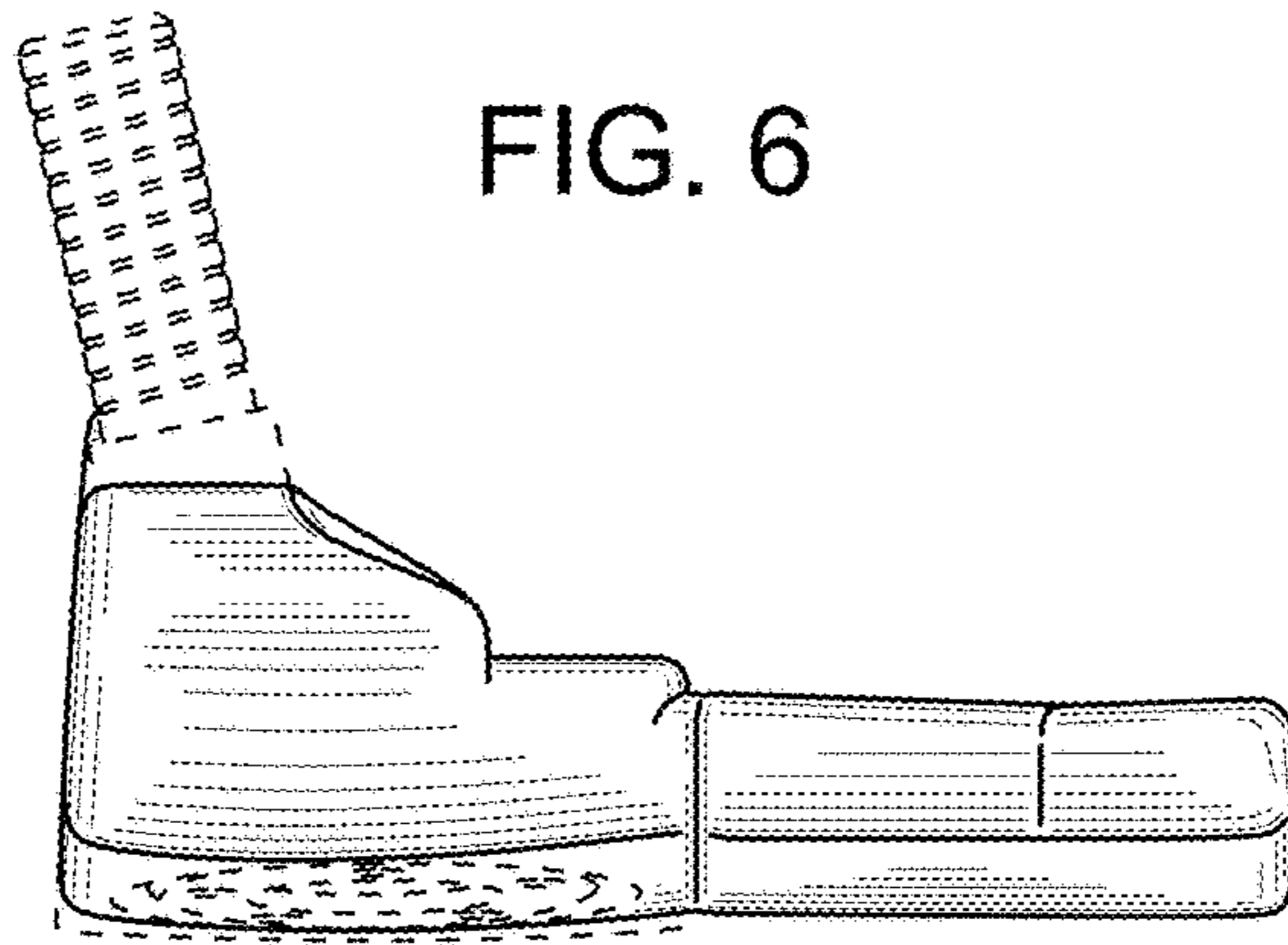


FIG. 7

