



US00D820923S

(12) **United States Design Patent**
Johnson

(10) **Patent No.:** **US D820,923 S**
(45) **Date of Patent:** **** Jun. 19, 2018**

(54) **HOCKEY TRAINING AID**

(71) Applicant: **Ronald S. Johnson**, Langley (CA)

(72) Inventor: **Ronald S. Johnson**, Langley (CA)

(**) Term: **15 Years**

(21) Appl. No.: **29/594,716**

(22) Filed: **Feb. 22, 2017**

(51) **LOC (11) Cl.** **21-02**

(52) **U.S. Cl.**
USPC **D21/727**

(58) **Field of Classification Search**

USPC D21/722, 727, 698, 710
CPC . A63B 69/00; A63B 69/0024; A63B 69/0026;
A63B 63/06; A63B 69/34

See application file for complete search history.

(56) **References Cited**

U.S. PATENT DOCUMENTS

D169,243 S	4/1953	Doherty	
3,233,902 A	2/1966	Albinson	
3,525,523 A	8/1970	Bellagamba	
3,675,921 A *	7/1972	Meyers, Sr. A63B 69/0071 473/448
4,168,062 A *	9/1979	McCarthy A63B 63/06 473/446
4,434,980 A	3/1984	Babineaux	
D301,906 S *	6/1989	Coolen D21/710
5,527,185 A *	6/1996	Davis A63B 69/34 434/247
5,582,404 A *	12/1996	Parzino A63B 69/0024 473/44
5,607,226 A	3/1997	Toth	
5,772,538 A *	6/1998	Szykiel A63B 63/00 473/446
6,398,652 B1	6/2002	Schweizer	

(Continued)

OTHER PUBLICATIONS

Design U.S. Appl. No. 29/557,933, filed Mar. 14, 2016.

Primary Examiner — Mitchell I. Siegel

(74) *Attorney, Agent, or Firm* — Thompson Coburn LLP

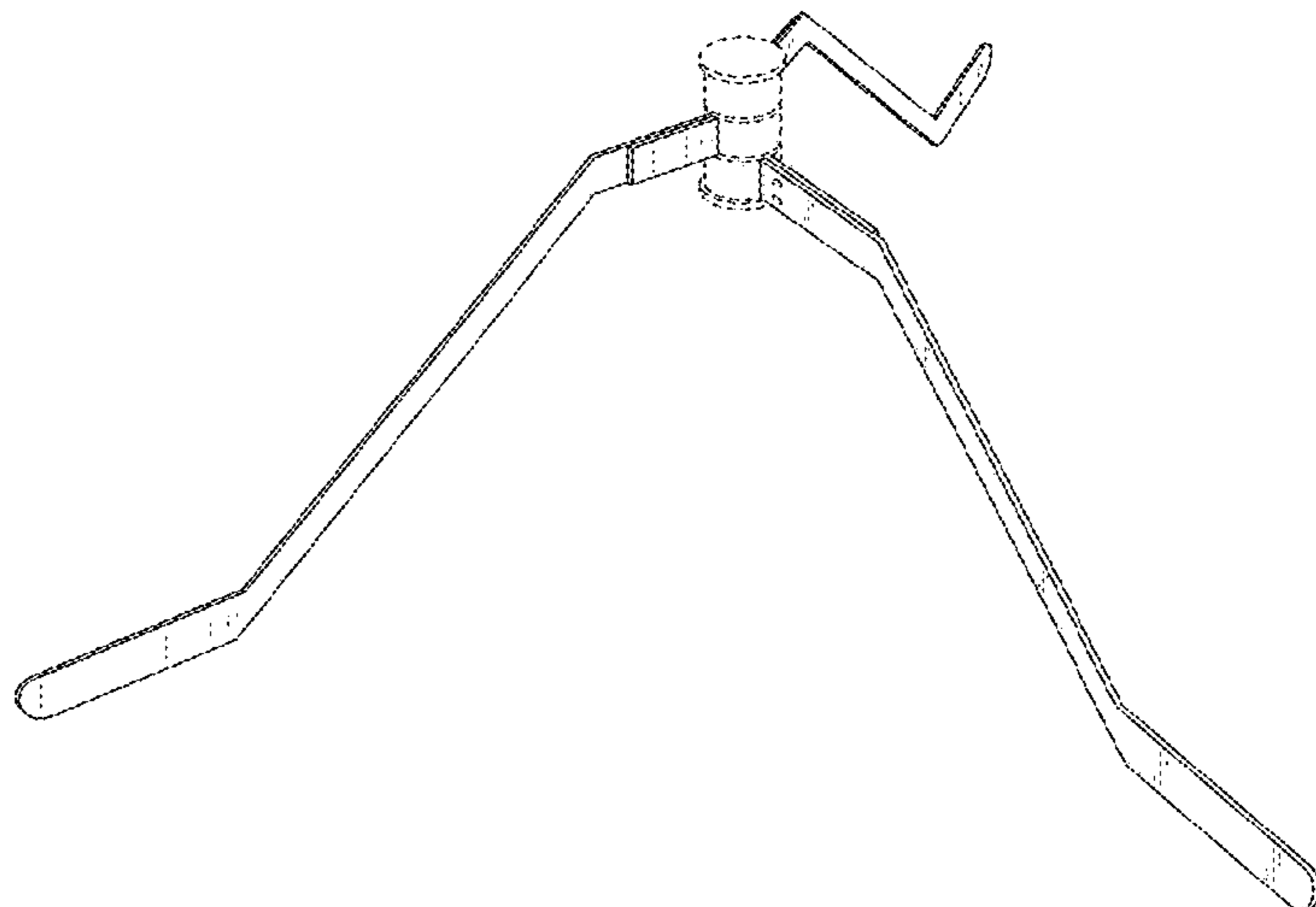
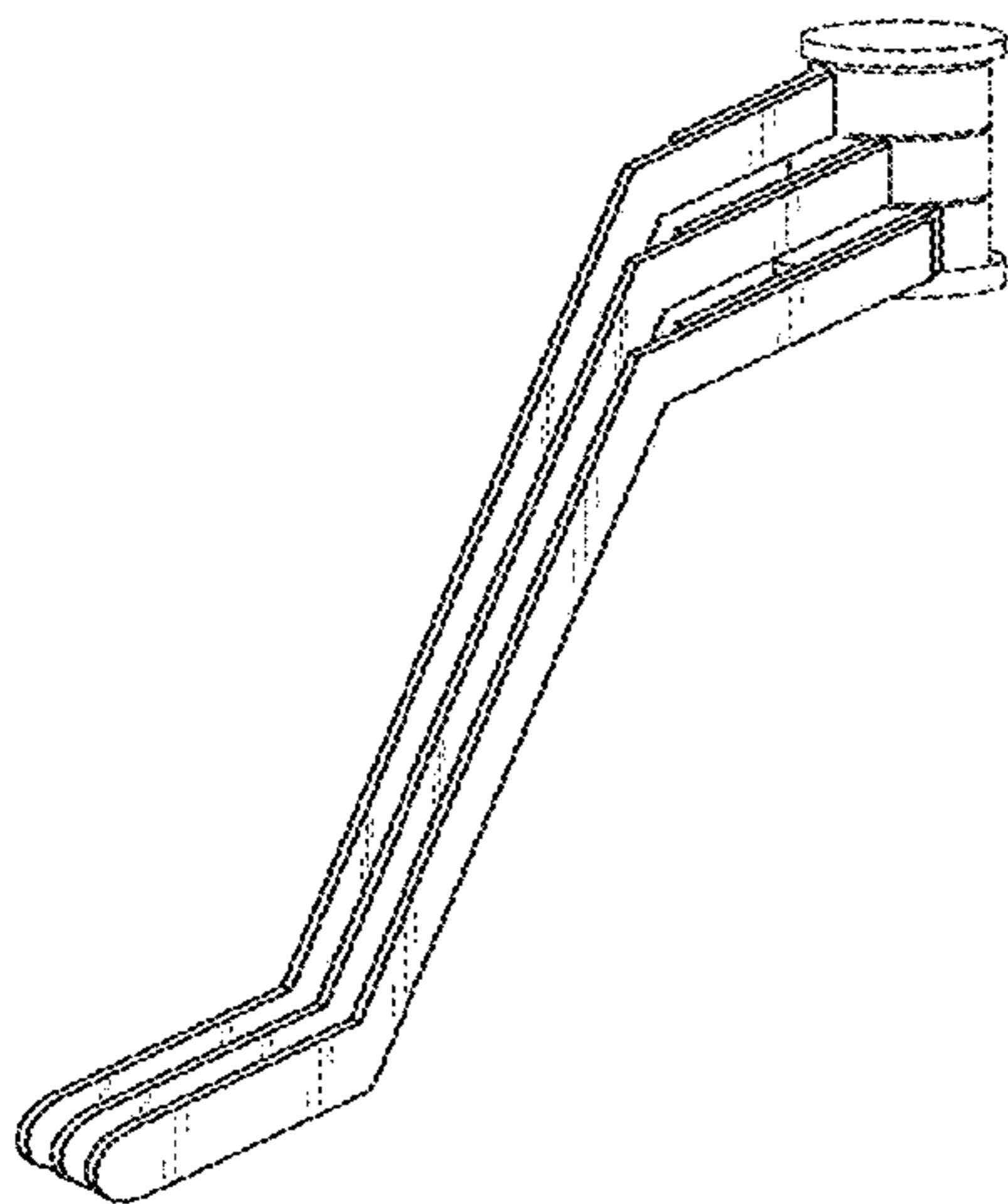
(57) **CLAIM**

The ornamental design for a hockey training aid, as shown and described.

DESCRIPTION

FIG. 1 is a perspective view a hockey training aid of my new design in a first configuration;
 FIG. 2 is a front view of the hockey training aid of FIG. 1;
 FIG. 3 is a rear view of the hockey training aid of FIG. 1;
 FIG. 4 is a top view of the hockey training aid of FIG. 1;
 FIG. 5 is a bottom view of the hockey training aid of FIG. 1;
 FIG. 6 is a left side view of the hockey training aid of FIG. 1;
 FIG. 7 is a right side view of the hockey training aid of FIG. 1;
 FIG. 8 is a perspective view of the hockey training aid of my new design in a second configuration;
 FIG. 9 is a front view of the hockey training aid of FIG. 8;
 FIG. 10 is a rear view of the hockey training aid of FIG. 8;
 FIG. 11 is a top view of the hockey training aid of FIG. 8;
 FIG. 12 is a bottom view of the hockey training aid of FIG. 8;
 FIG. 13 is a left side view of the hockey training aid of FIG. 8; and,
 FIG. 14 is a right side view of the hockey training aid of FIG. 8.
 The dashed lines in the drawing figures indicate subject matter that does not form part of the claimed design.

1 Claim, 12 Drawing Sheets



(56)

References Cited

U.S. PATENT DOCUMENTS

6,716,120	B1 *	4/2004	Normand	A63B 67/20 273/108.5
D514,178	S *	1/2006	Cutchev	D21/727
7,658,689	B2 *	2/2010	Crook, II	A63B 69/345 473/422
D614,709	S	4/2010	Elder	
7,993,249	B1	8/2011	Fassl	
D697,157	S	1/2014	Siklosi	
D731,012	S	6/2015	Gilman	
9,636,561	B2 *	5/2017	Simon	A63B 69/0026
D794,729	S *	8/2017	Johnson	D21/698
2002/0193211	A1 *	12/2002	Kao	A63B 69/34 482/83
2008/0254950	A1	10/2008	Bellies	
2009/0264264	A1	10/2009	Reen	
2009/0318272	A1	12/2009	Evans	
2013/0337946	A1	12/2013	Khan	
2014/0011612	A1	1/2014	Trombley	
2014/0121069	A1	5/2014	Corbett	
2014/0221172	A1	8/2014	Siklosi	
2016/0074730	A1 *	3/2016	Farrington	A63B 69/0026 473/446

* cited by examiner

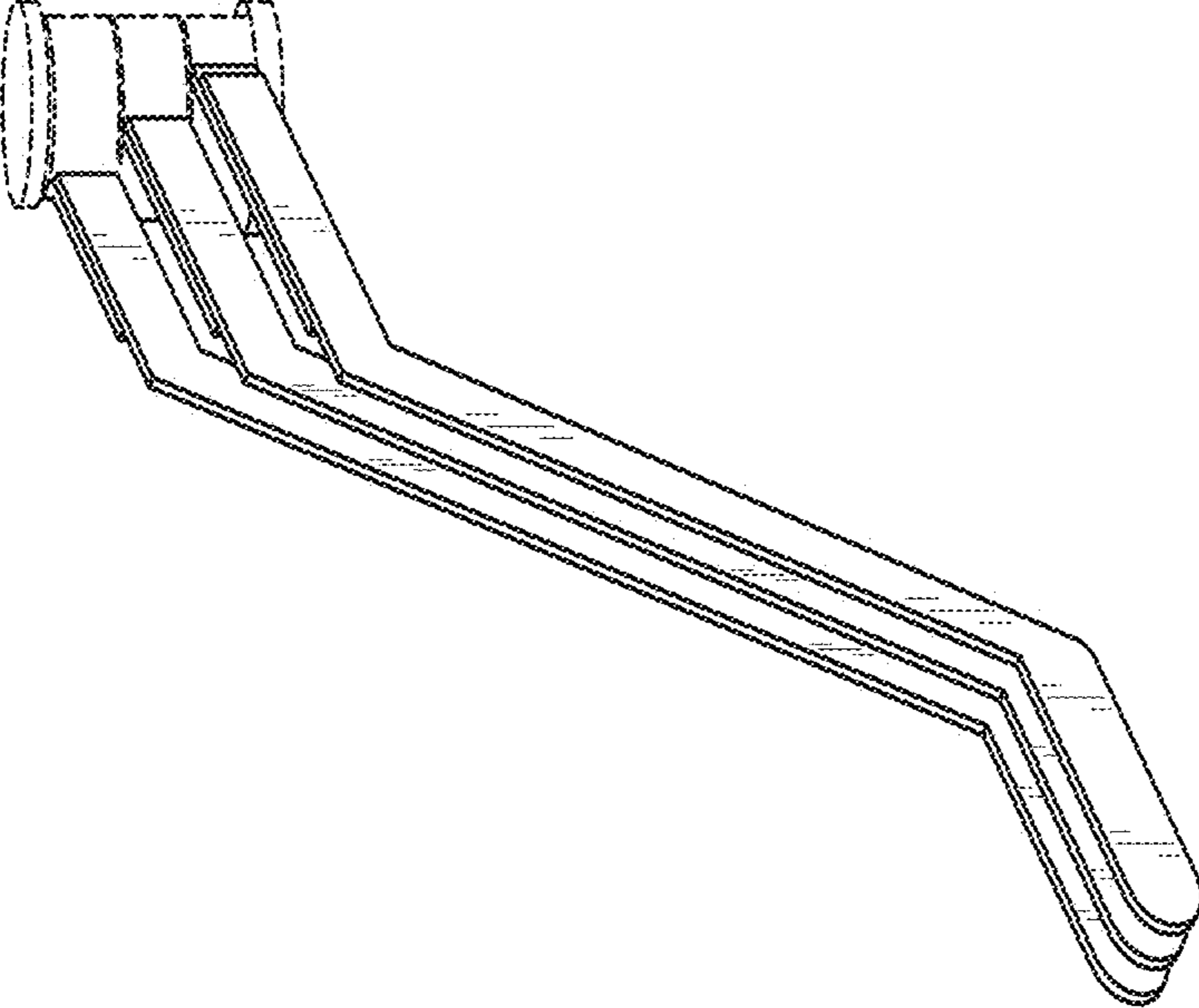


FIG. 1

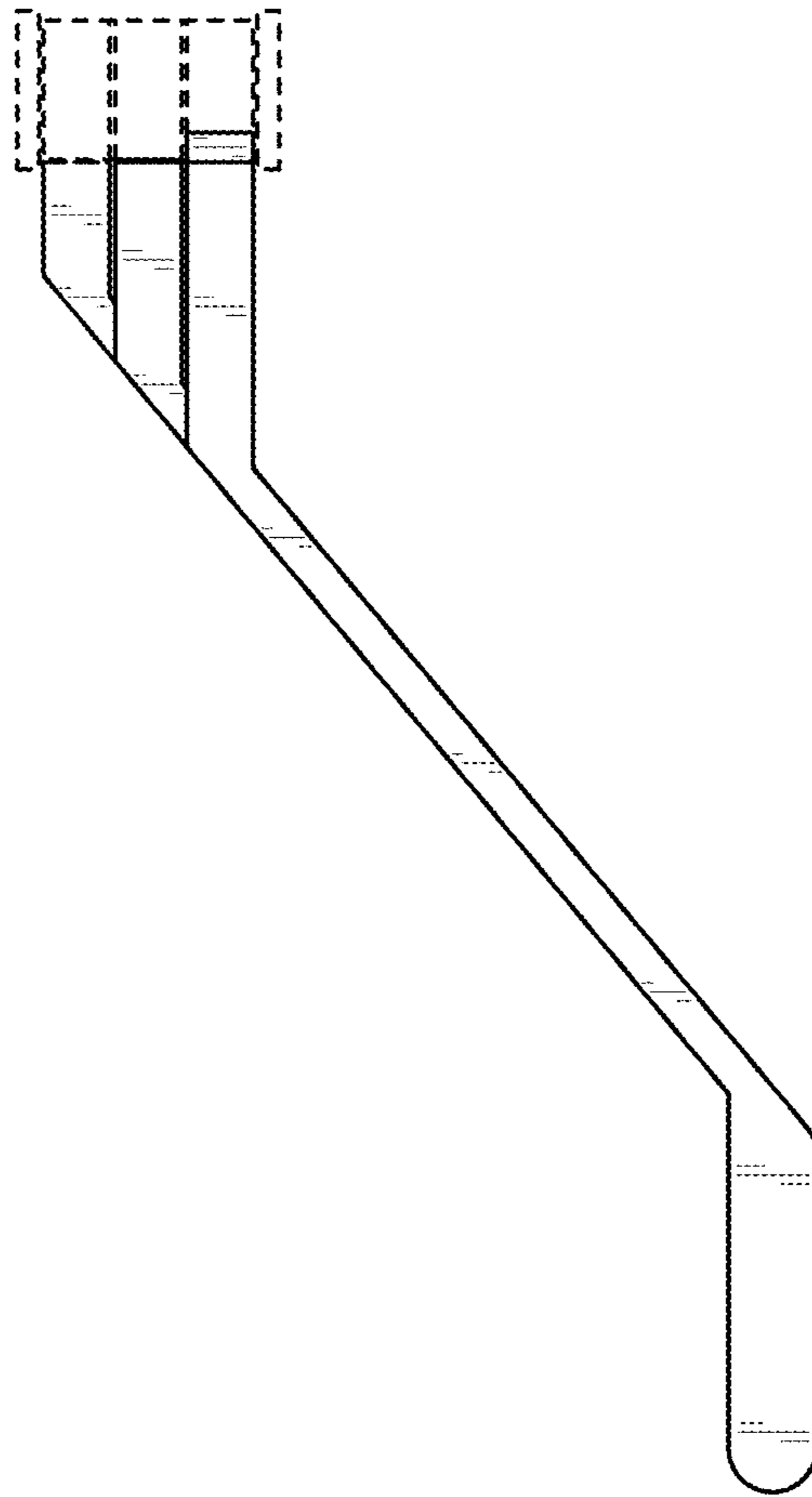


FIG. 2

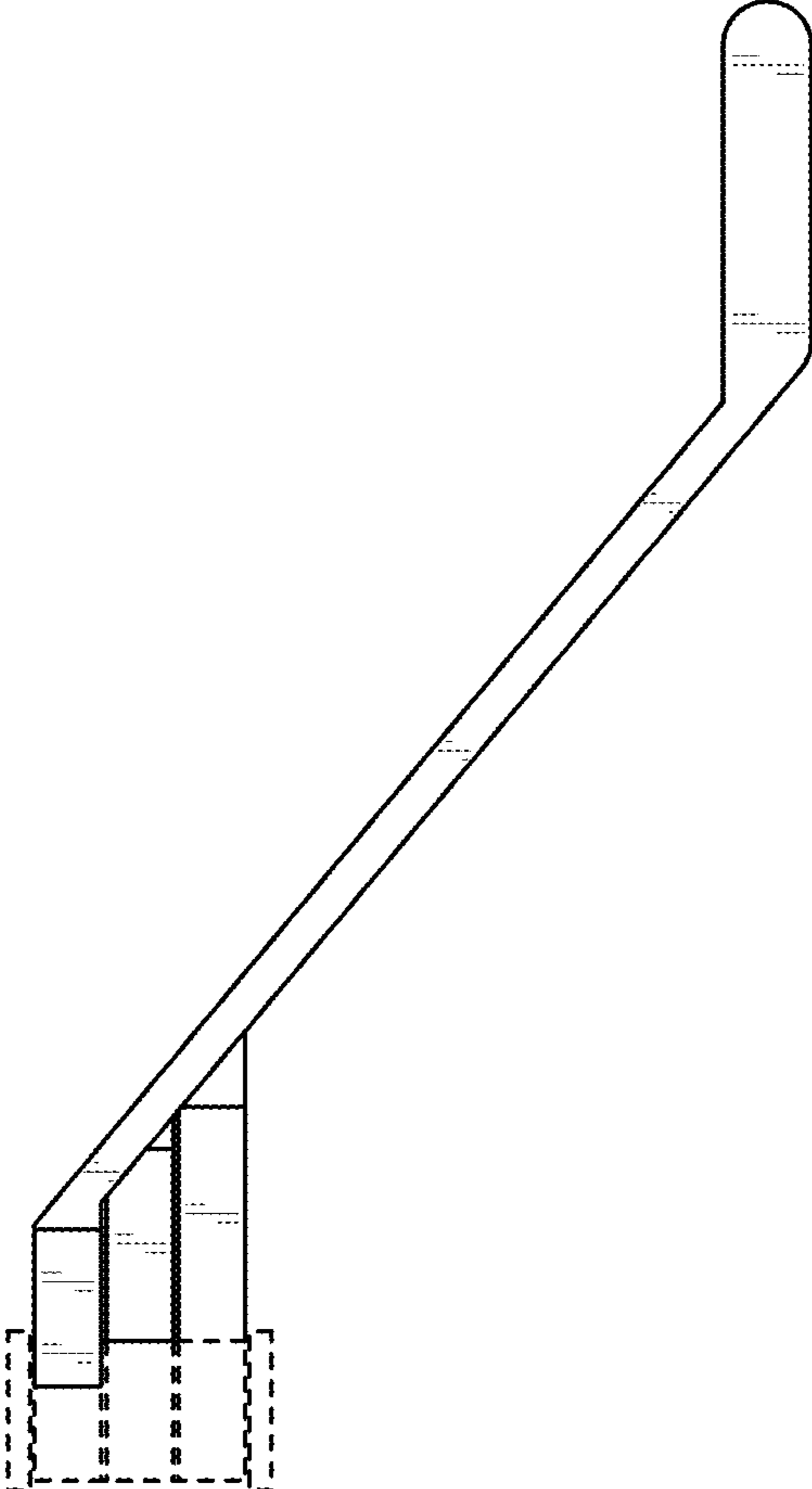


FIG. 3

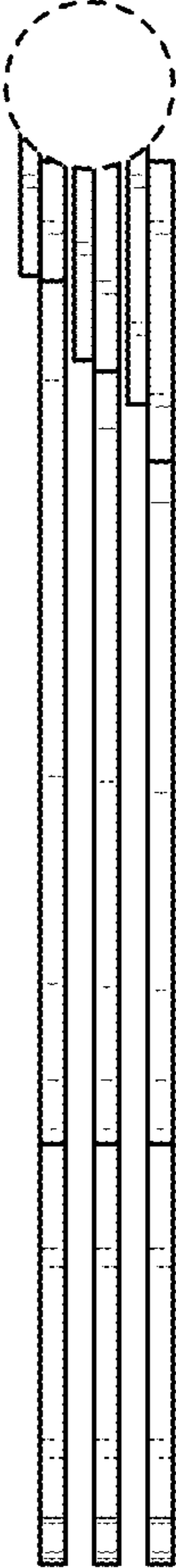


FIG. 4

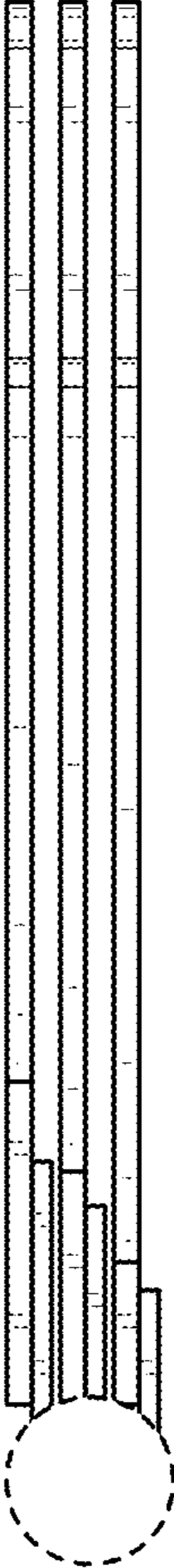


FIG. 5

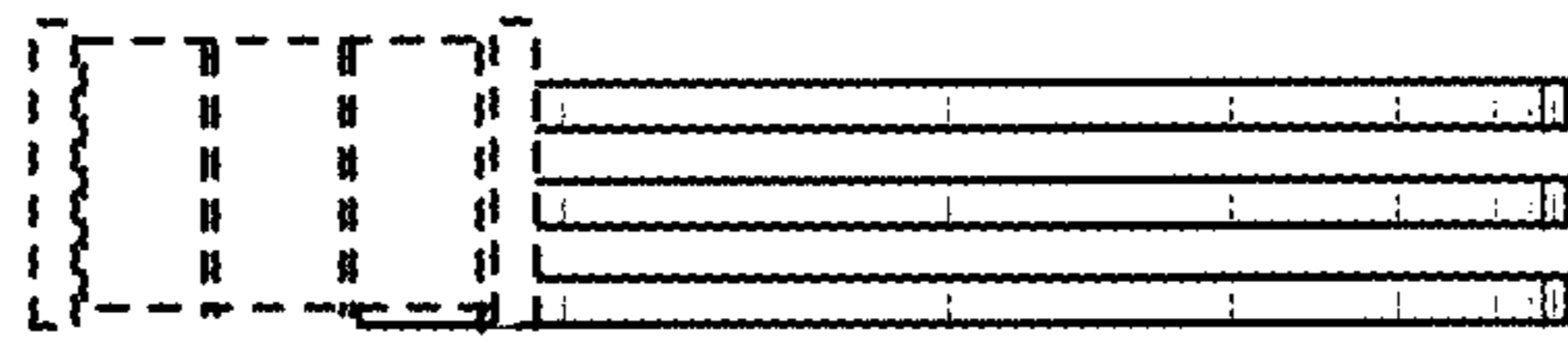


FIG. 7

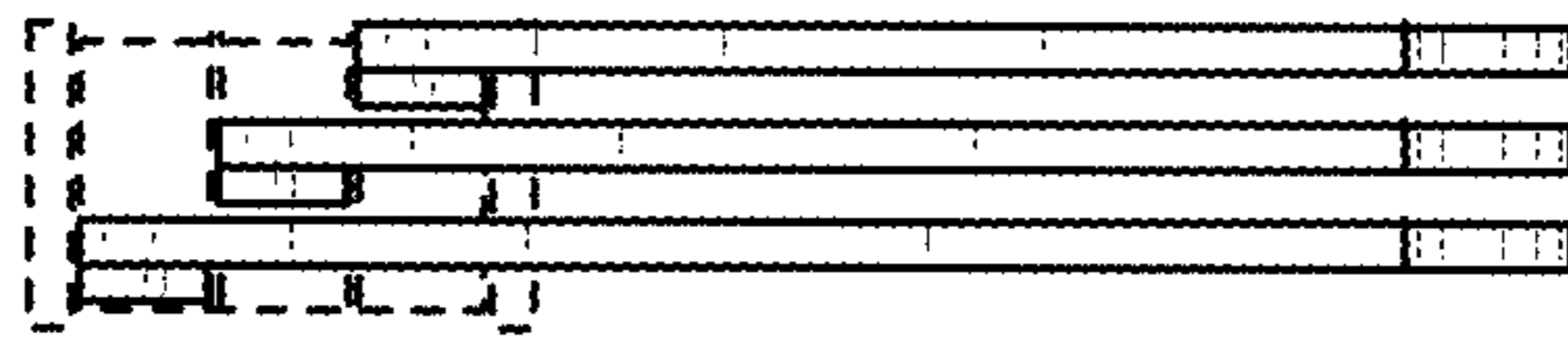


FIG. 6

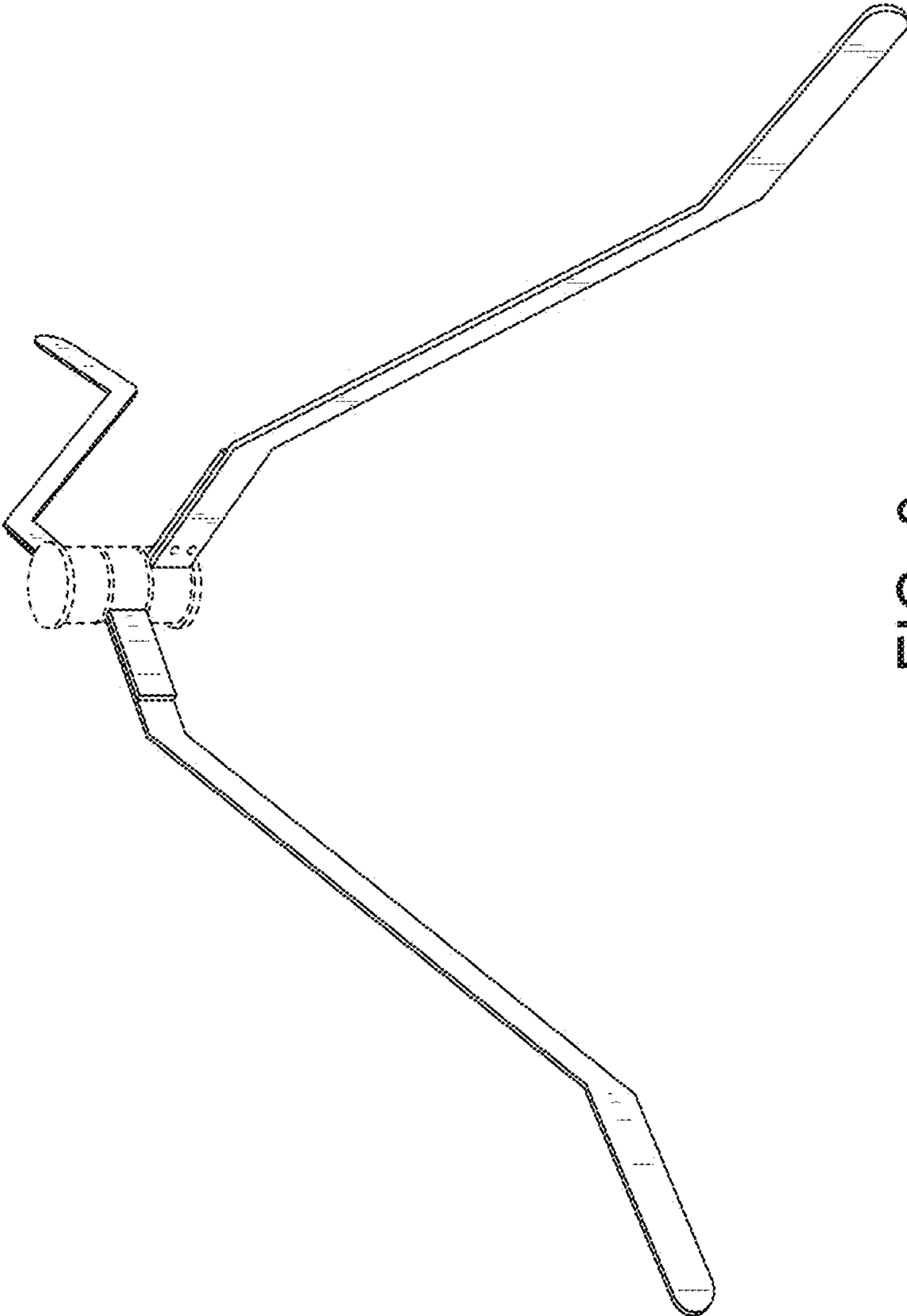


FIG. 8

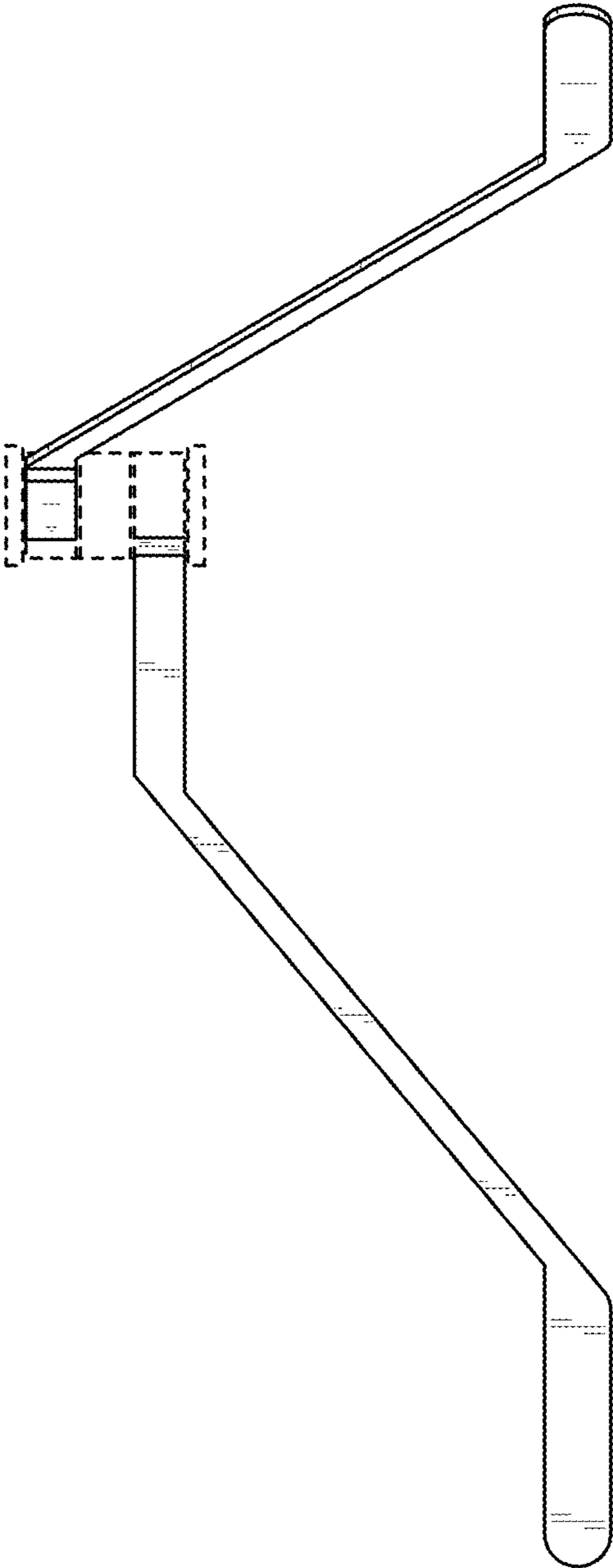


FIG. 9

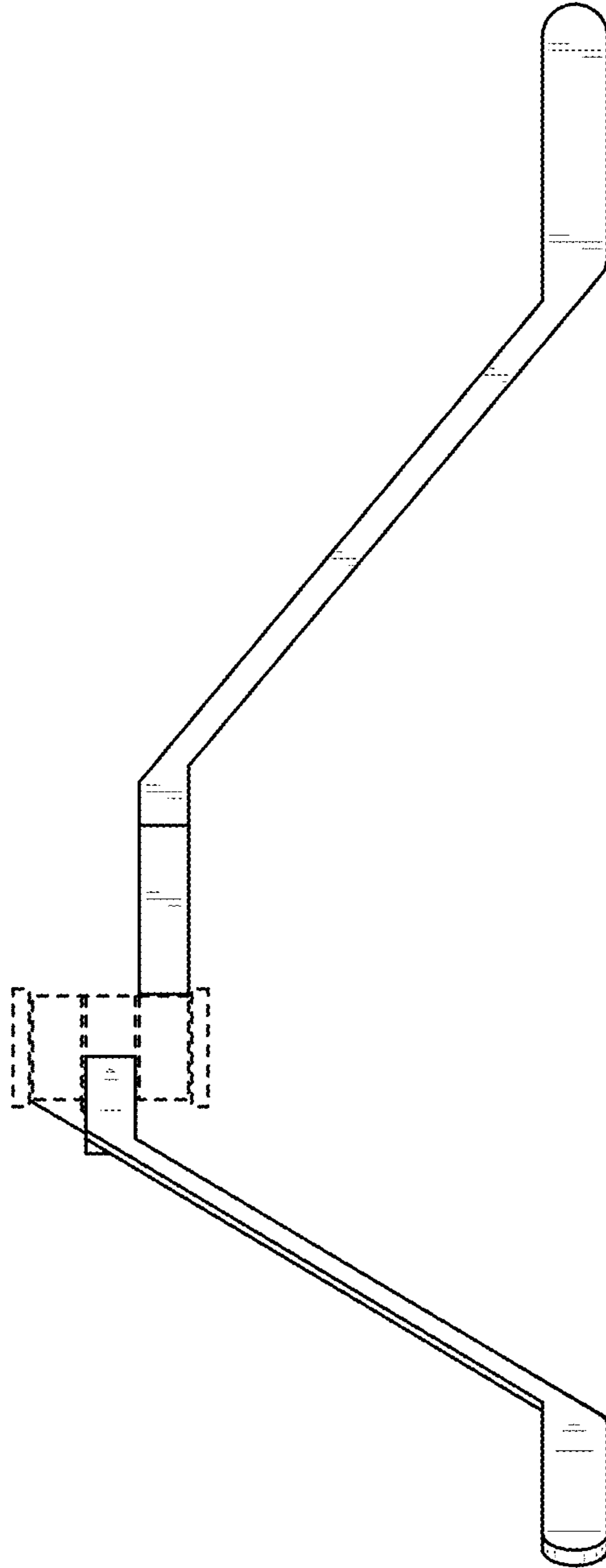


FIG. 10

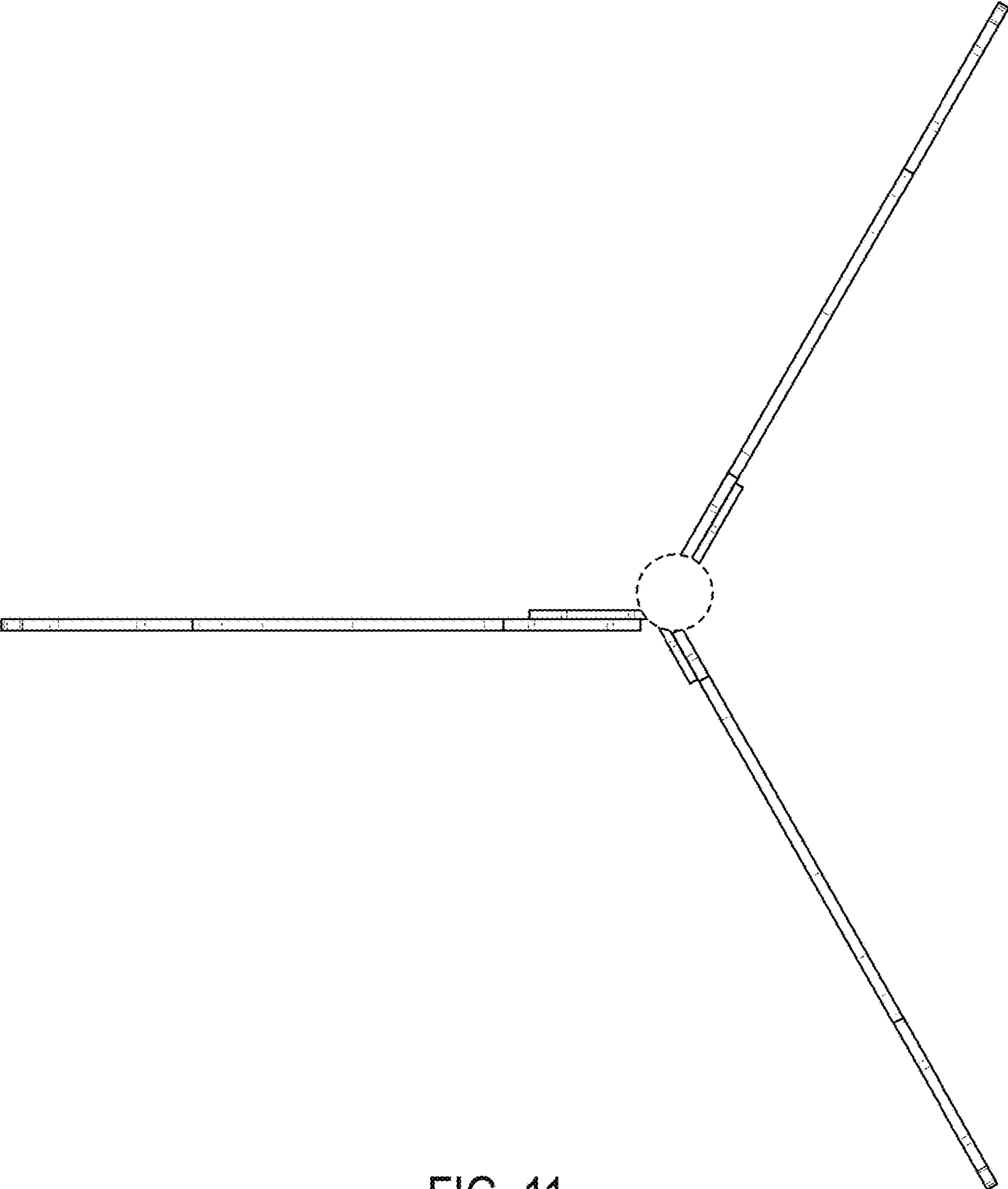


FIG. 11

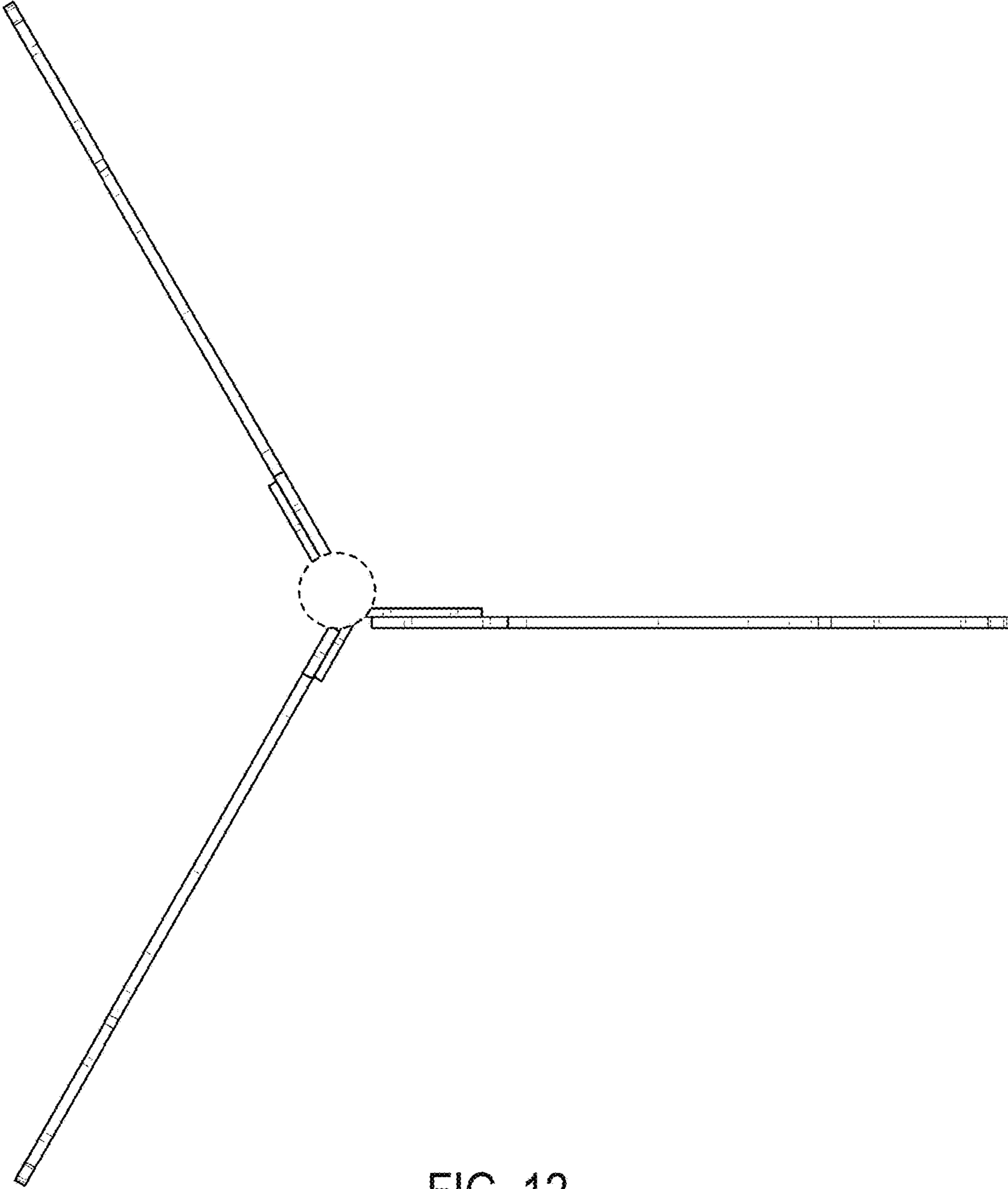


FIG. 12

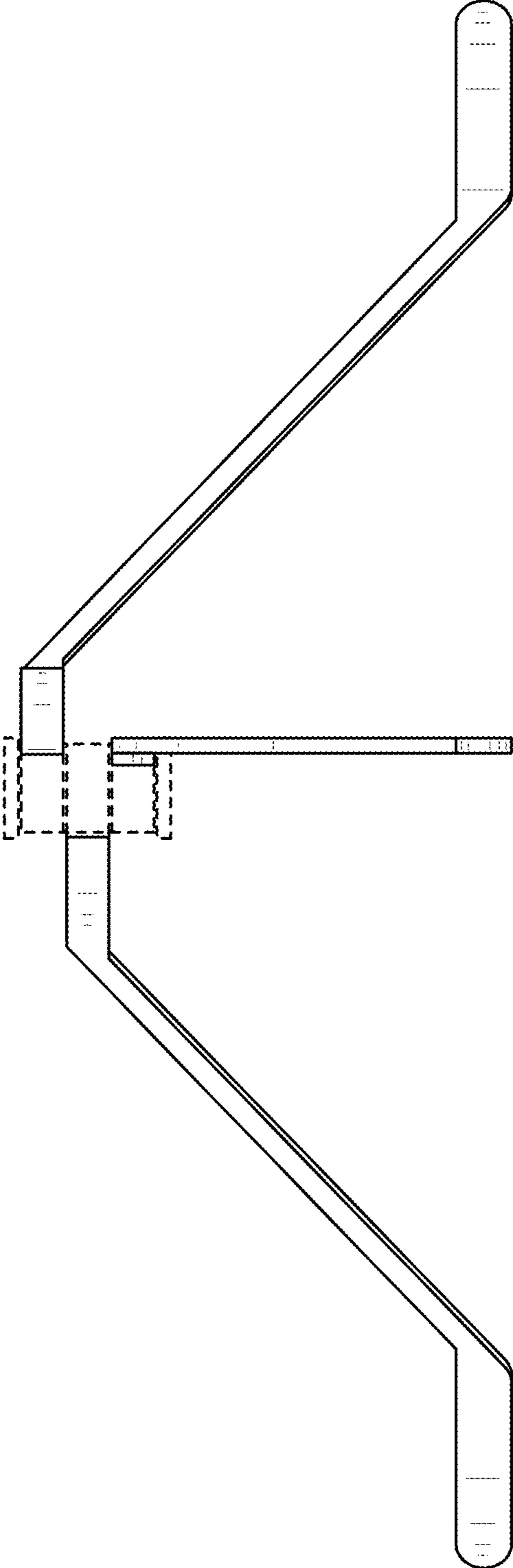


FIG. 13

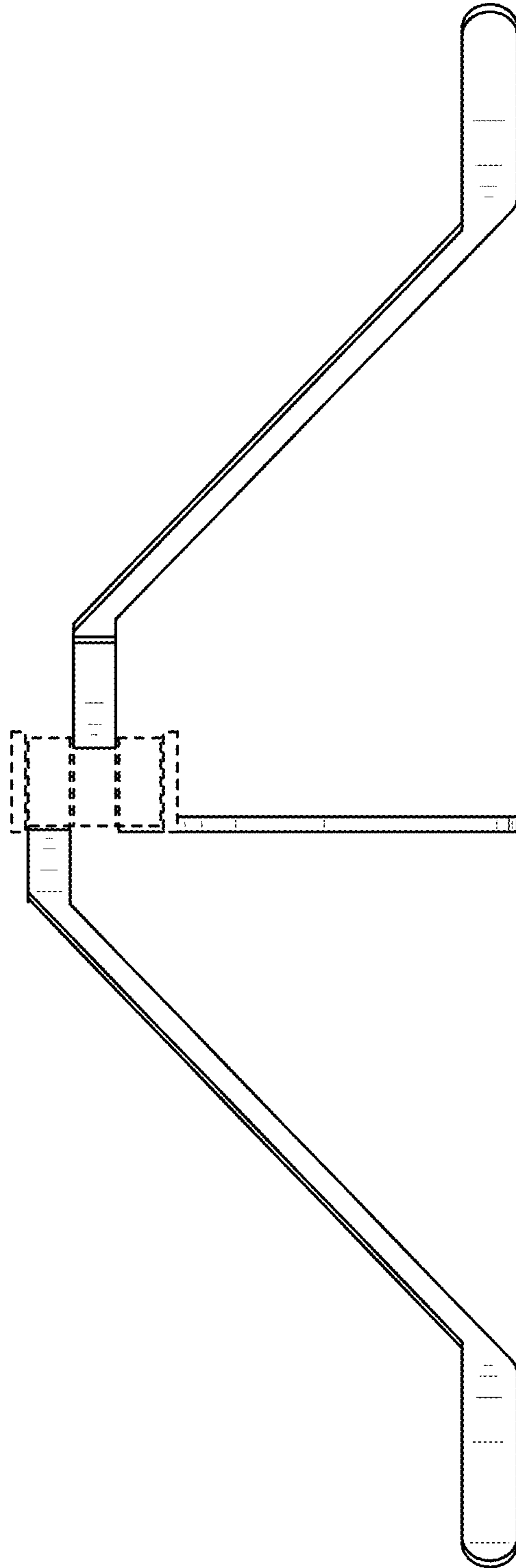


FIG. 14