



US00D820922S

(12) **United States Design Patent**
Saragoni et al.

(10) **Patent No.:** **US D820,922 S**
(45) **Date of Patent:** **** Jun. 19, 2018**

(54) **STAIR SIMULATOR**

(71) Applicant: **TECHNOGYM S.p.A.**, Cesena
(Forli'-Cesena) (IT)

(72) Inventors: **Simone Saragoni**, Cesena (IT); **Nerio Alessandri**, Cesena (IT); **Mario Fedriga**, Cesena (IT)

(73) Assignee: **TECHNOGYM S.p.A.**, Cesena
(Forli'-Cesena) (IT)

(**) Term: **15 Years**

(21) Appl. No.: **29/589,242**

(22) Filed: **Dec. 29, 2016**

(30) **Foreign Application Priority Data**

Jul. 14, 2016 (EM) 003305705

(51) **LOC (11) Cl.** **21-02**

(52) **U.S. Cl.**
USPC **D21/670**

(58) **Field of Classification Search**
USPC 482/51, 52, 54, 71, 74, 79; D21/662,
D21/663, 666, 668, 669, 670
CPC A63B 2230/06; A63B 2230/75; A63B
22/0017; A63B 22/02; A63B 23/04
See application file for complete search history.

(56) **References Cited**

U.S. PATENT DOCUMENTS

D343,879 S * 2/1994 Koga D21/670
5,352,166 A * 10/1994 Chang A63B 22/04
482/52
D370,509 S * 6/1996 Gillott D21/669
D374,046 S * 9/1996 Drennan D21/669
6,348,024 B1 * 2/2002 Hwang A63B 22/0235
482/52

6,508,746 B1 * 1/2003 Jacobs A63B 21/023
482/71
2012/0238409 A1 * 9/2012 Halsey A63B 22/04
482/52
2015/0190670 A1 * 7/2015 Strommen A63B 22/04
482/52

OTHER PUBLICATIONS

Technogym "Climb Excite" <https://www.technogym.com/us/climb-excite-led.html>. Oct. 8, 2017 (Year: 2017).*

* cited by examiner

Primary Examiner — Cynthia Ramirez

Assistant Examiner — Michael A Maharajh

(74) *Attorney, Agent, or Firm* — Thomas | Horstemeyer,
LLP

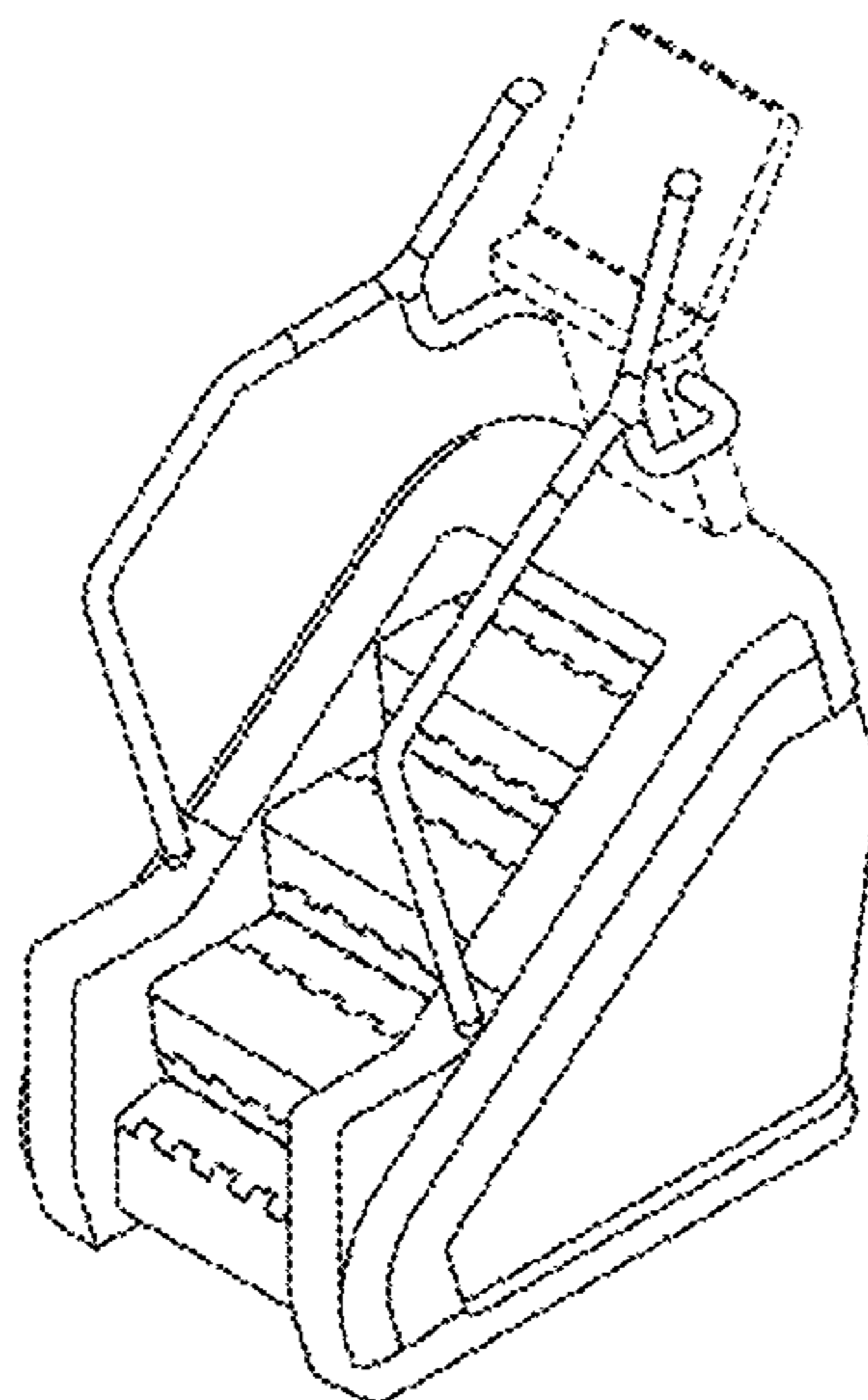
(57) **CLAIM**

The ornamental design for a stair simulator, as shown and described.

DESCRIPTION

FIG. 1 is a perspective view of a stair simulator showing our new design;
FIG. 2 is a front view thereof;
FIG. 3 is a rear view thereof;
FIG. 4 is a right side elevational view shown at a larger scale thereof;
FIG. 5 is a left side elevational view shown at a larger scale thereof;
FIG. 6 is a top plan view thereof; and,
FIG. 7 is a bottom plan view thereof.
The broken lines shown in the drawings illustrate portions of the stair simulator that form no part of the claimed design.

1 Claim, 7 Drawing Sheets



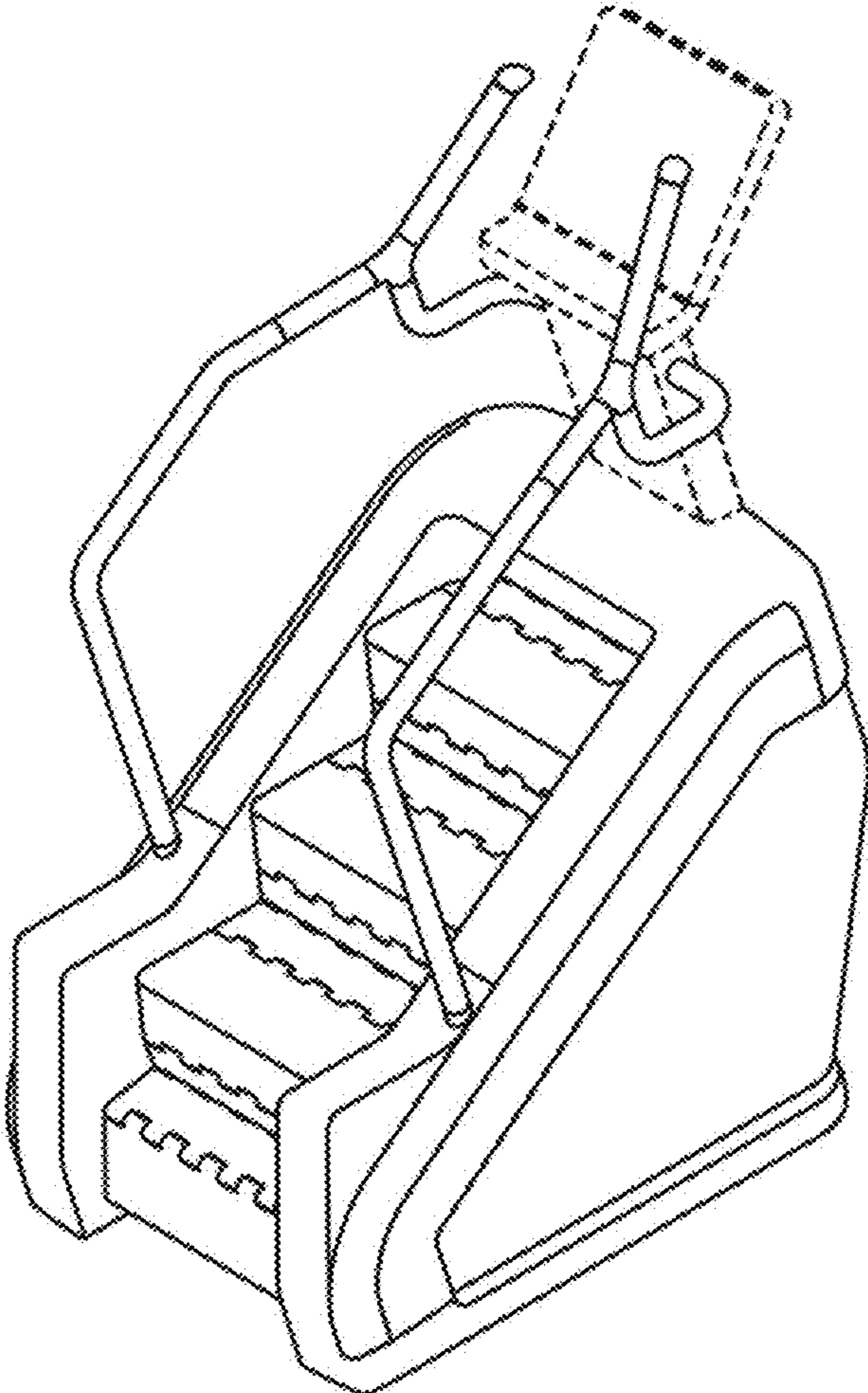


FIG. 1

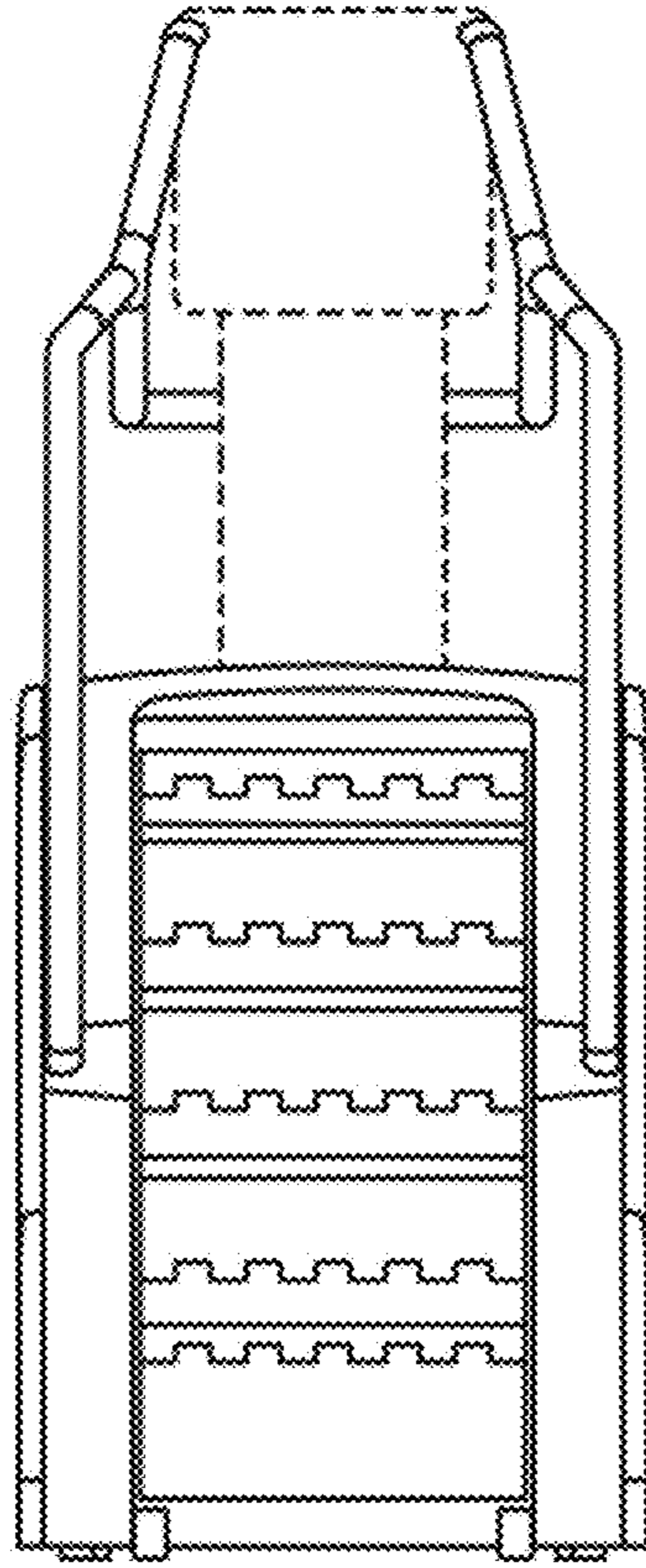


FIG. 2

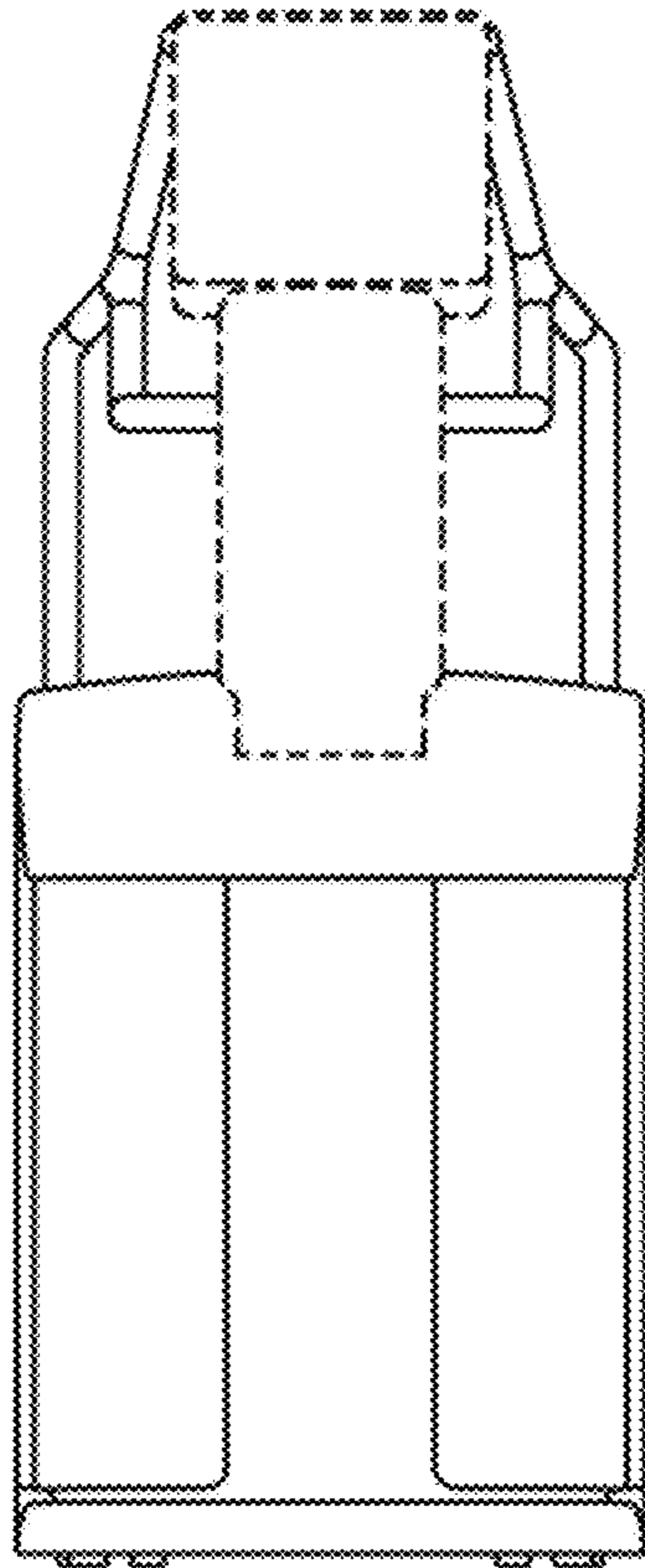


FIG. 3

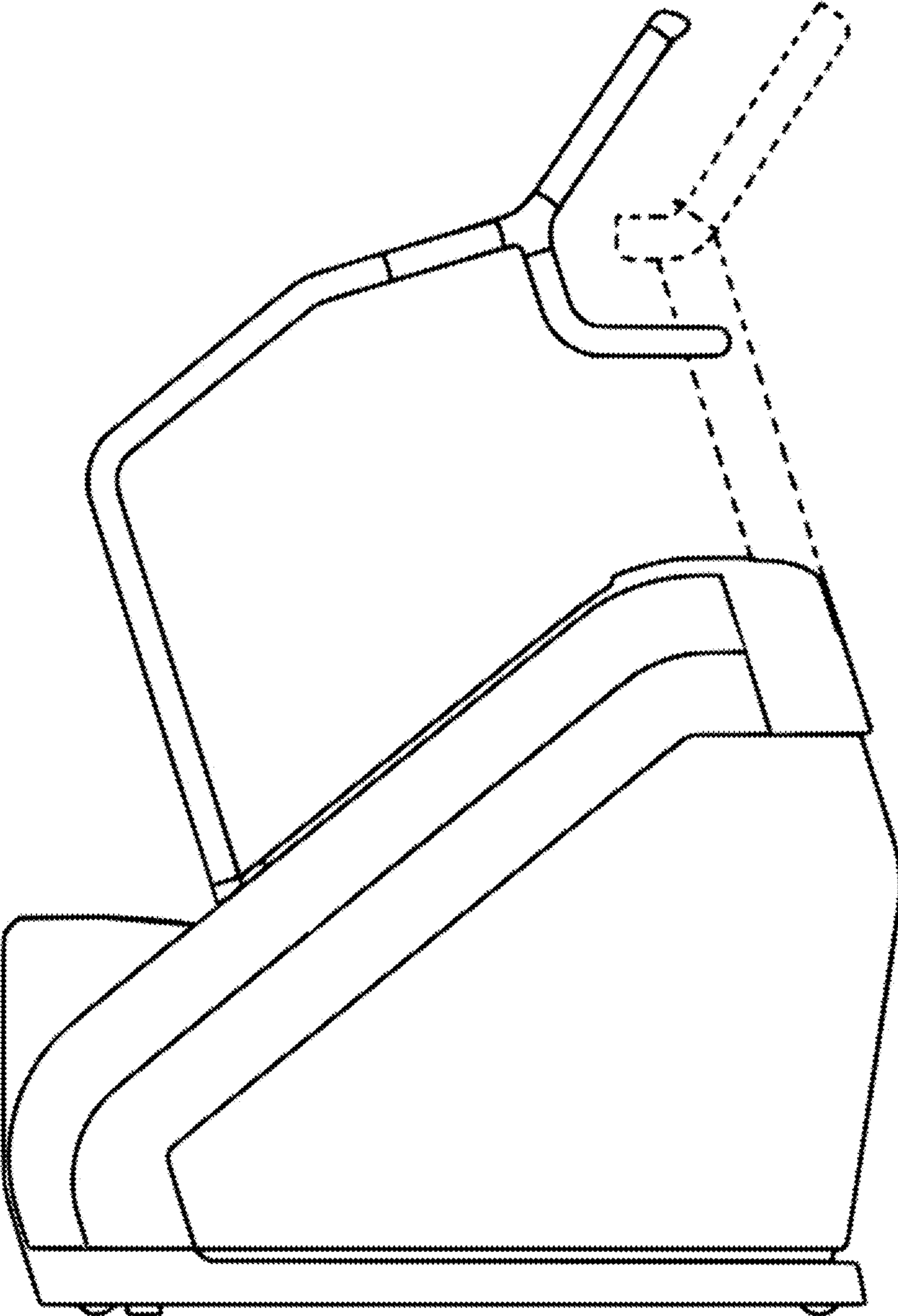


FIG. 4

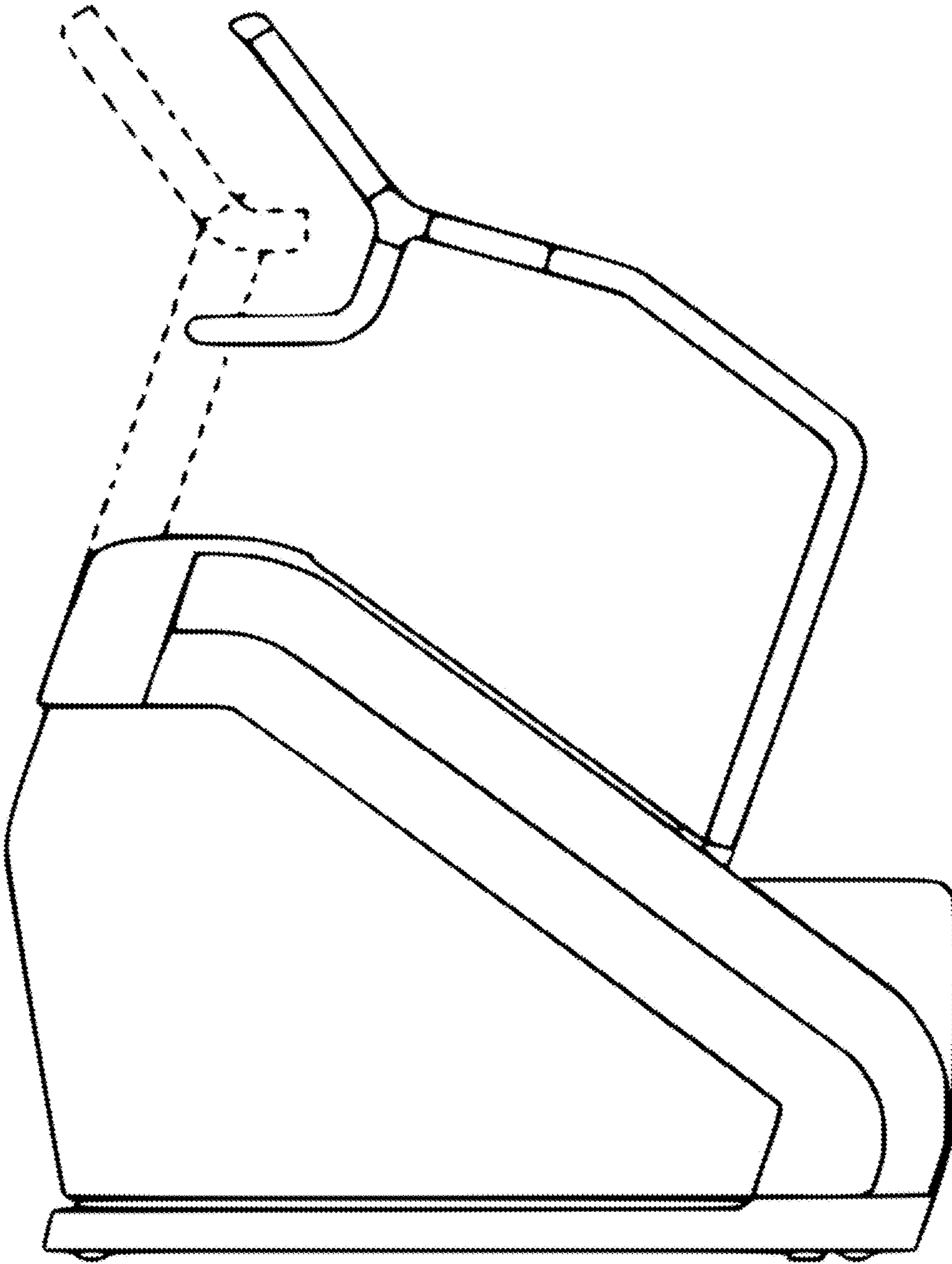


FIG. 5

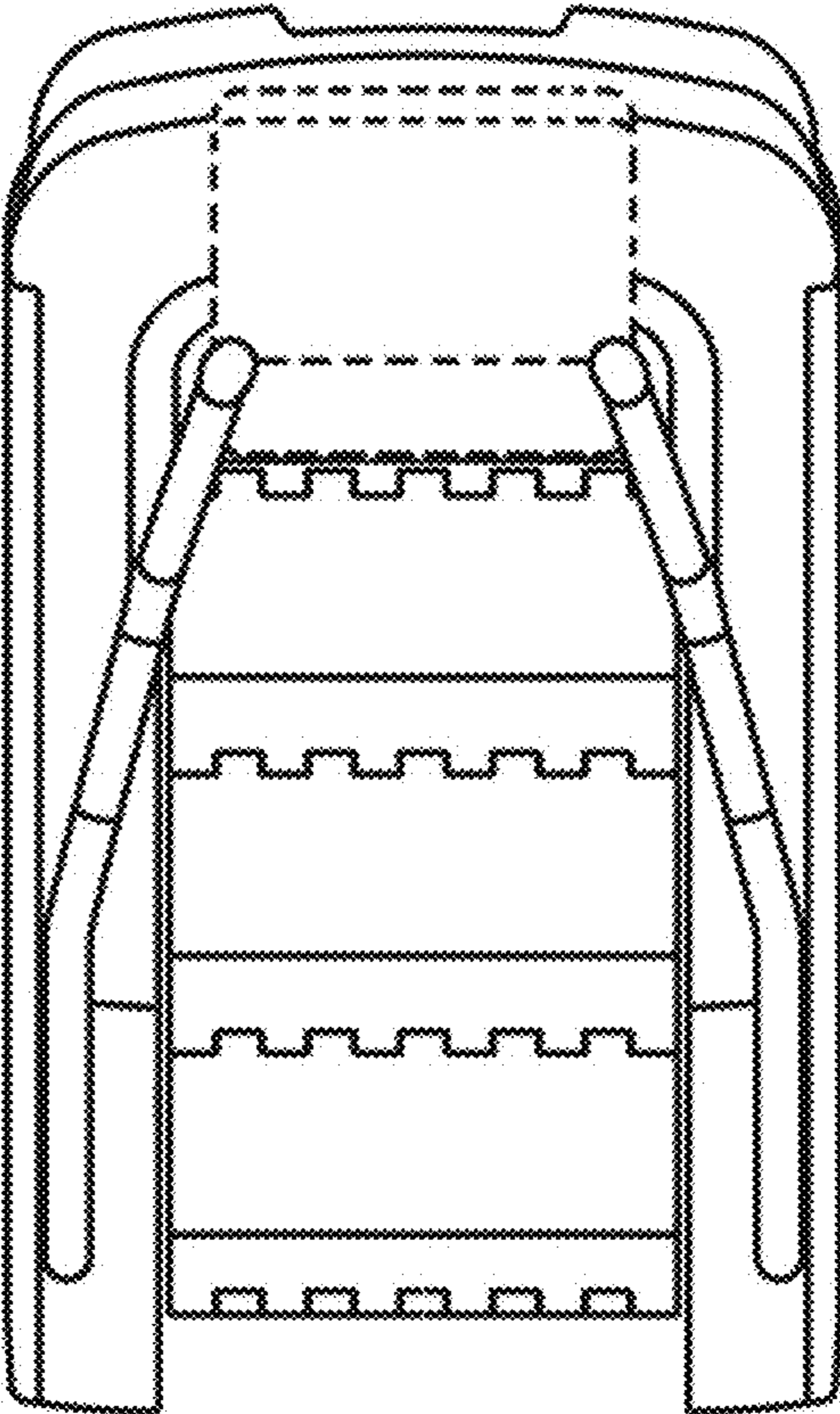


FIG. 6

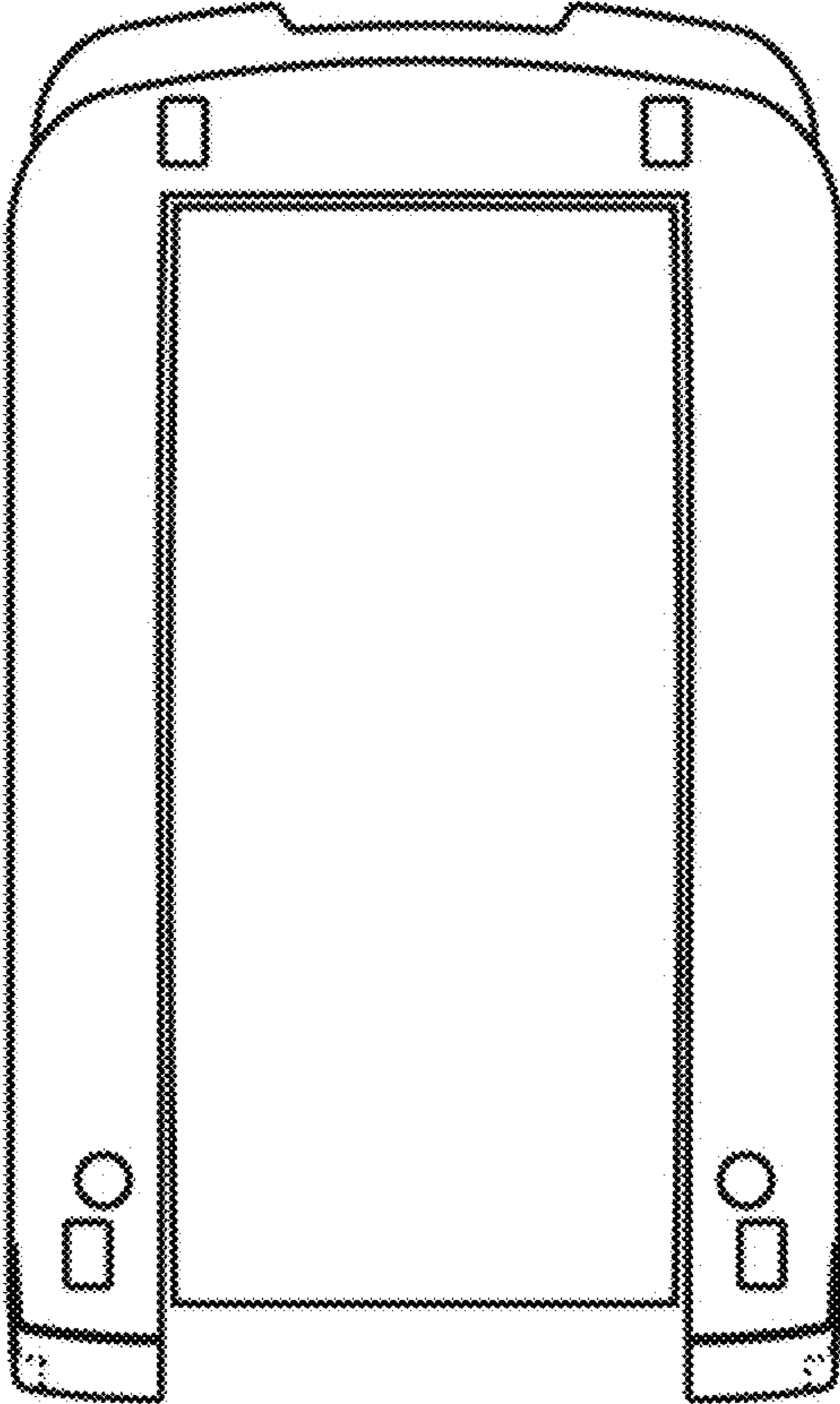


FIG. 7