



US00D820919S

(12) **United States Design Patent**
Horikoshi

(10) **Patent No.:** **US D820,919 S**
(45) **Date of Patent:** **** Jun. 19, 2018**

(54) **SPINNING TOP TOY**
(71) Applicant: **TOMY COMPANY, LTD.**, Tokyo (JP)
(72) Inventor: **Kenji Horikoshi**, Tokyo (JP)
(73) Assignee: **TOMY COMPANY, LTD.**, Tokyo (JP)
(**) Term: **15 Years**

D660,918 S * 5/2012 Ujita D21/460
D662,556 S * 6/2012 Horikoshi D21/460
D665,858 S * 8/2012 Horikoshi D21/460
D665,859 S * 8/2012 Horikoshi D21/460
D666,252 S * 8/2012 Ujita D21/460
D666,253 S * 8/2012 Ujita D21/460
D667,894 S * 9/2012 Horikoshi D21/460

(Continued)

(21) Appl. No.: **29/620,483**
(22) Filed: **Jan. 12, 2017**

(30) **Foreign Application Priority Data**
Sep. 28, 2016 (JP) 2016-020817
(51) **LOC (11) Cl.** **21-01**
(52) **U.S. Cl.**
USPC **D21/460**
(58) **Field of Classification Search**
USPC 446/34, 46-48, 217, 218, 235-245,
446/246-256, 257-266, 429, 430, 435,
446/450-453, 486, 487, 489-491;
D21/385, 390, 398, 436, 441-444,
D21/453-457, 458-464, 561-563, 578,
D21/585, 592; 273/147, 317
CPC A63H 1/00; A63H 1/04; A63H 1/22; A63F
9/16; D01H 7/18; H01Q 9/27
See application file for complete search history.

OTHER PUBLICATIONS

Amazon, "Beyblade Burst B-95", Oct. 23, 2017. https://www.amazon.com/Beyblade-Random-Booster-Shelter-Regulus-5S-Tw/product-reviews/B075KFUSX/ref=cm_cr_getr_d_paging_btm_lie=UTF8&reviewerType=all_reviews&pageNumber=1. Shown on p. 1. (Year: 2017).*

Primary Examiner — Cynthia Ramirez
Assistant Examiner — Michael A Maharajh
(74) *Attorney, Agent, or Firm* — Staas & Halsey LLP

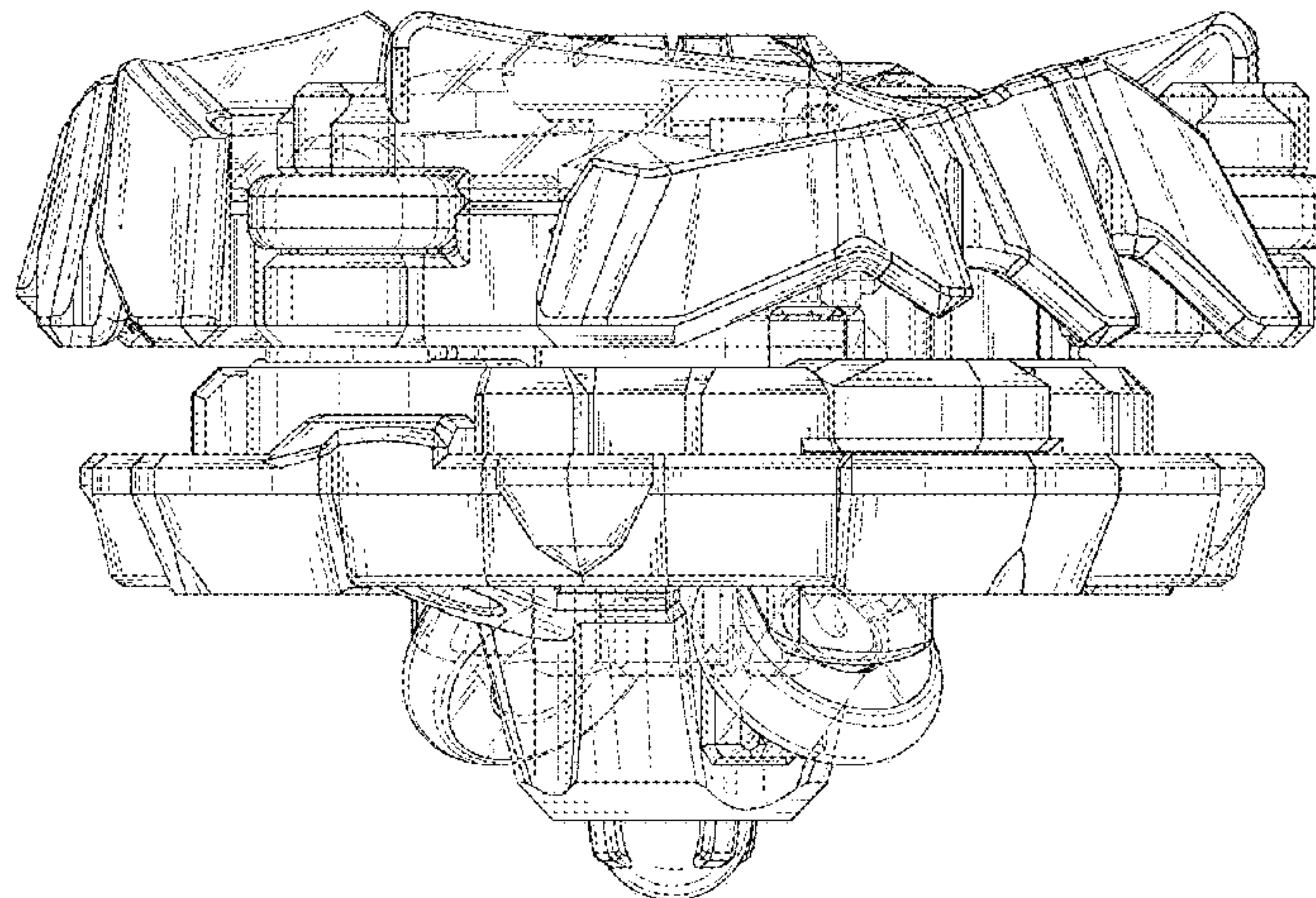
(56) **References Cited**
U.S. PATENT DOCUMENTS
D608,842 S * 1/2010 Nishimoto D21/460
D610,209 S * 2/2010 Nishimoto D21/460
D614,245 S * 4/2010 Ujita D21/460
D615,134 S * 5/2010 Nishimoto D21/460
D615,602 S * 5/2010 Nishimoto D21/460
D629,051 S * 12/2010 Nishimoto D21/460
D629,468 S * 12/2010 Ujita D21/460
D629,847 S * 12/2010 Ujita D21/460
D639,869 S * 6/2011 Nishimoto D21/460
D646,729 S * 10/2011 Ujita D21/460

(57) **CLAIM**
The ornamental design for a spinning top toy, as shown and described.

DESCRIPTION

FIG. 1 is a front view of the spinning top toy showing my design;
FIG. 2 is a left side view thereof;
FIG. 3 is a rear view thereof;
FIG. 4 is a right side view thereof;
FIG. 5 is a top view thereof;
FIG. 6 is a bottom view thereof;
FIG. 7 is a perspective view thereof;
FIG. 8 is a side view showing only the transparent parts for convenience of illustration; and,
FIG. 9 is a top view of the uppermost transparent part, apart from the rest of the spinning top toy shown for convenience of illustration.

1 Claim, 9 Drawing Sheets



(56)

References Cited

U.S. PATENT DOCUMENTS

2011/0006479	A1 *	1/2011	Ujita	A63H 1/16 273/147
2011/0256796	A1 *	10/2011	Ujita	A63H 1/00 446/264

* cited by examiner

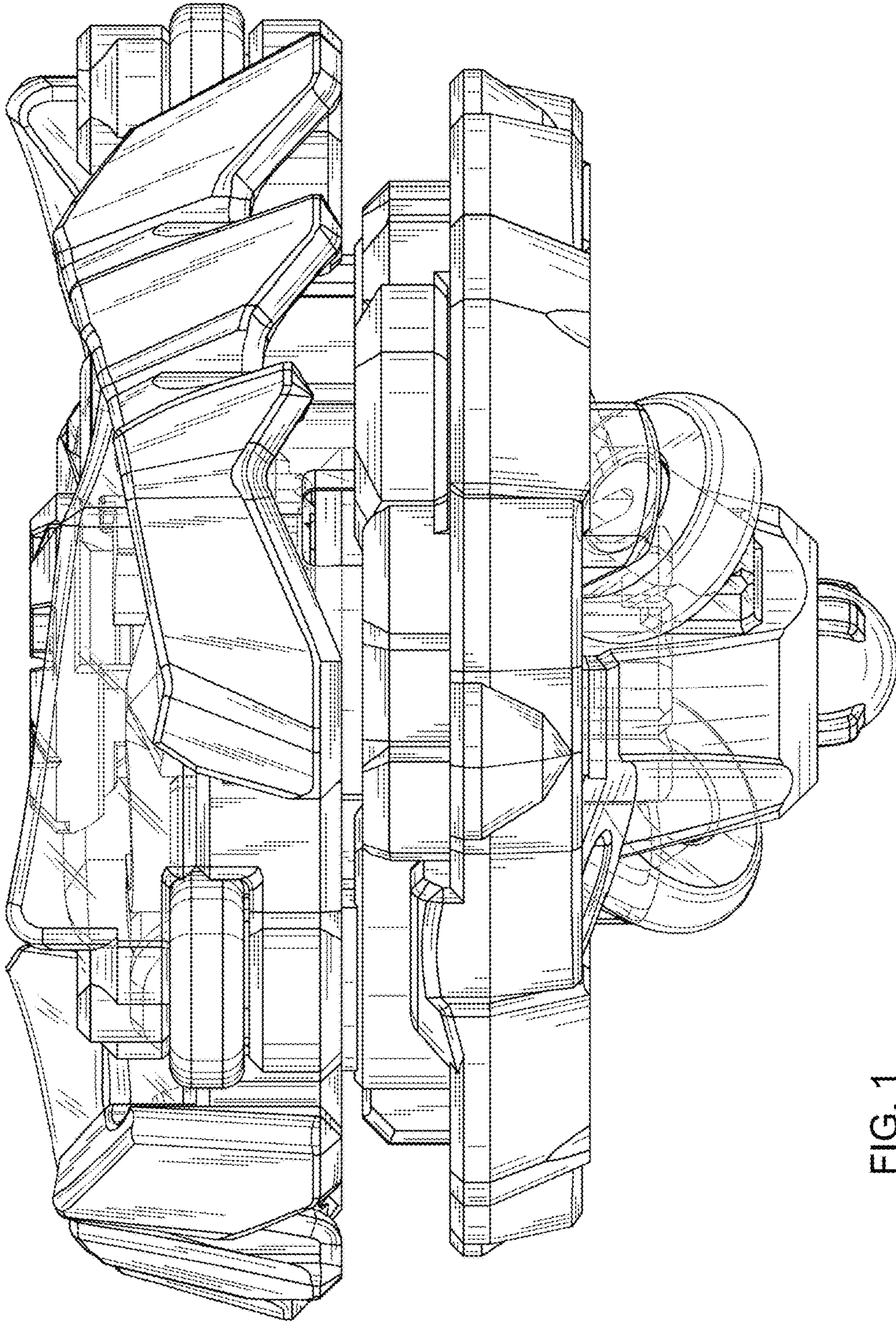


FIG. 1

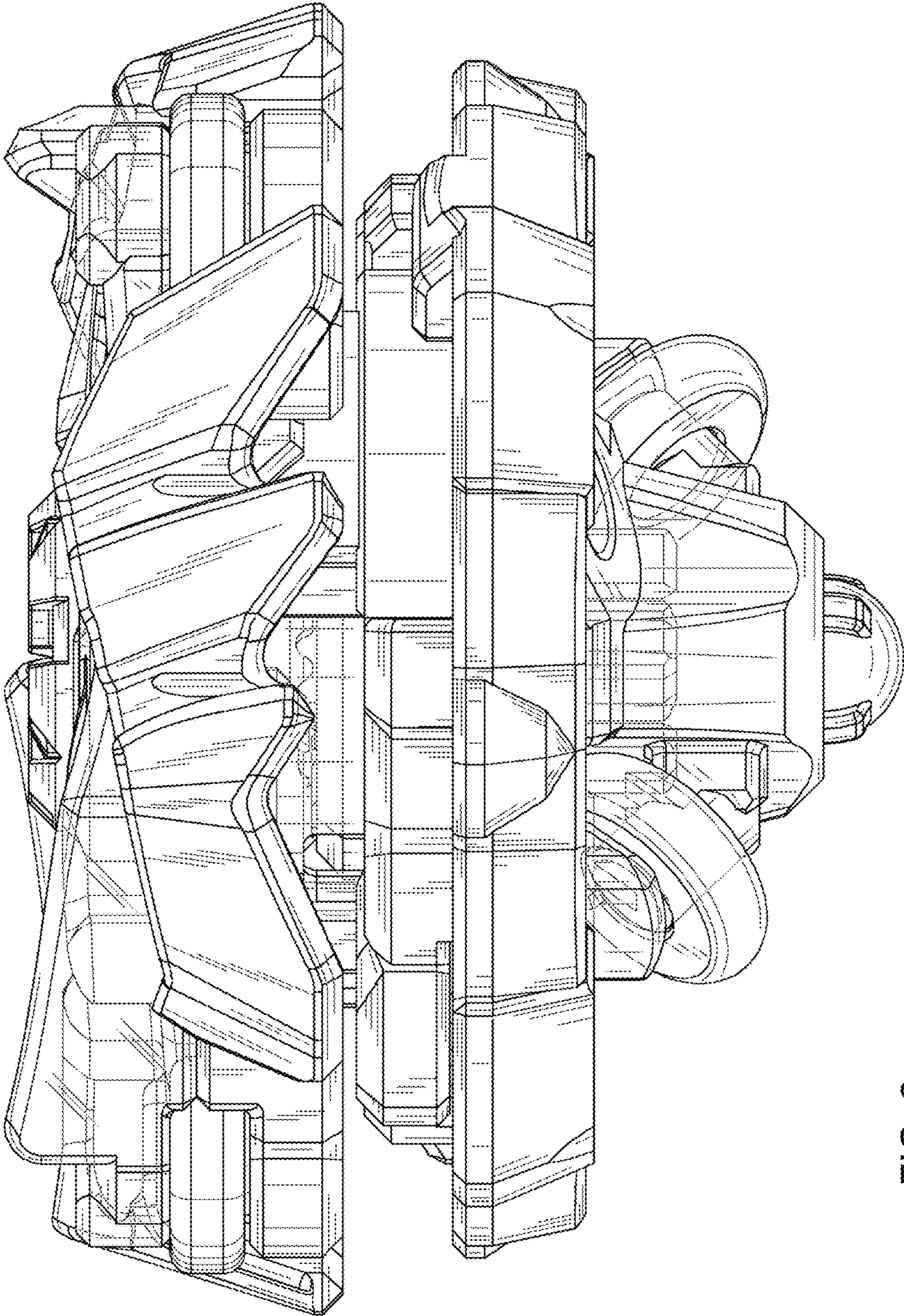


FIG. 2

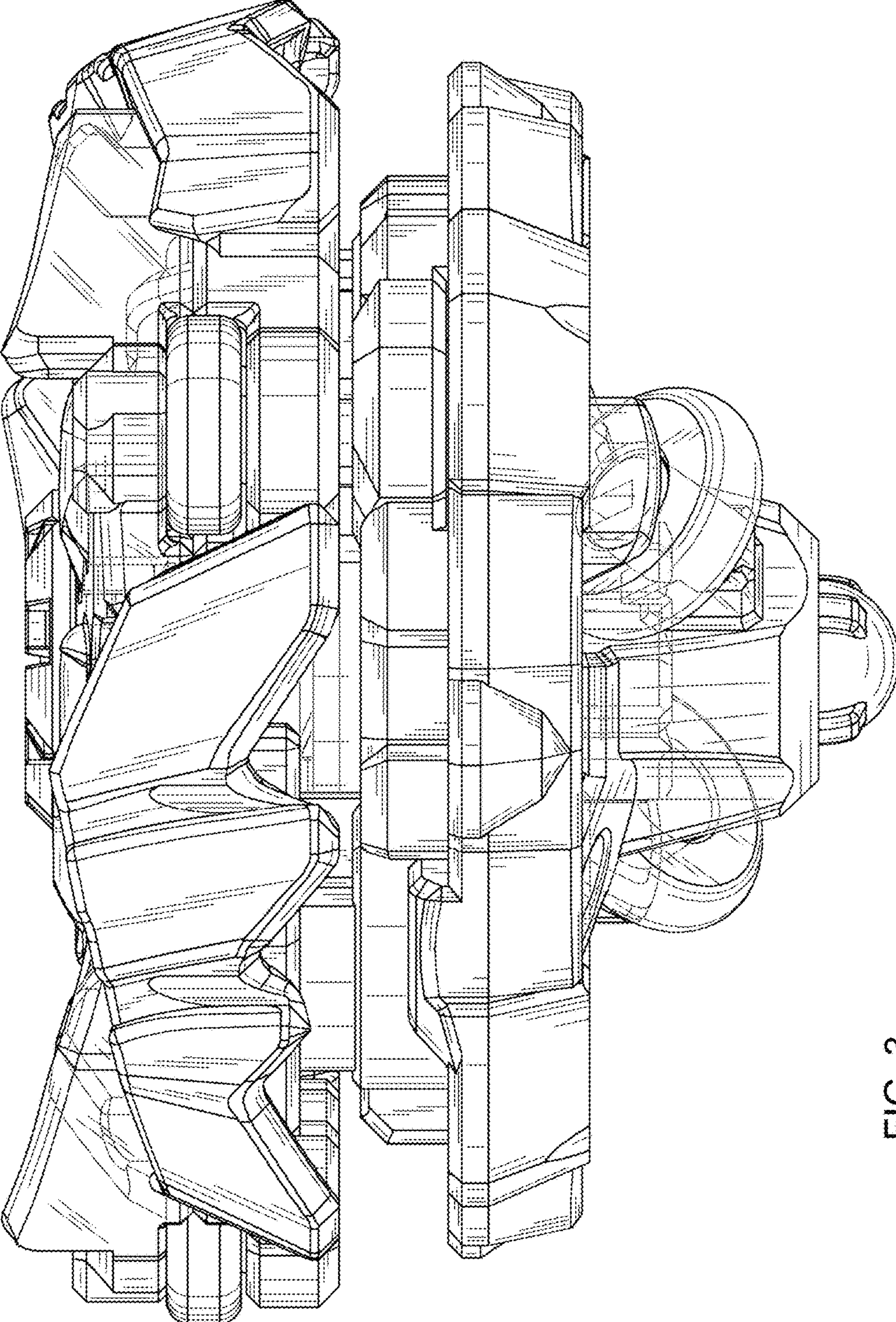


FIG. 3

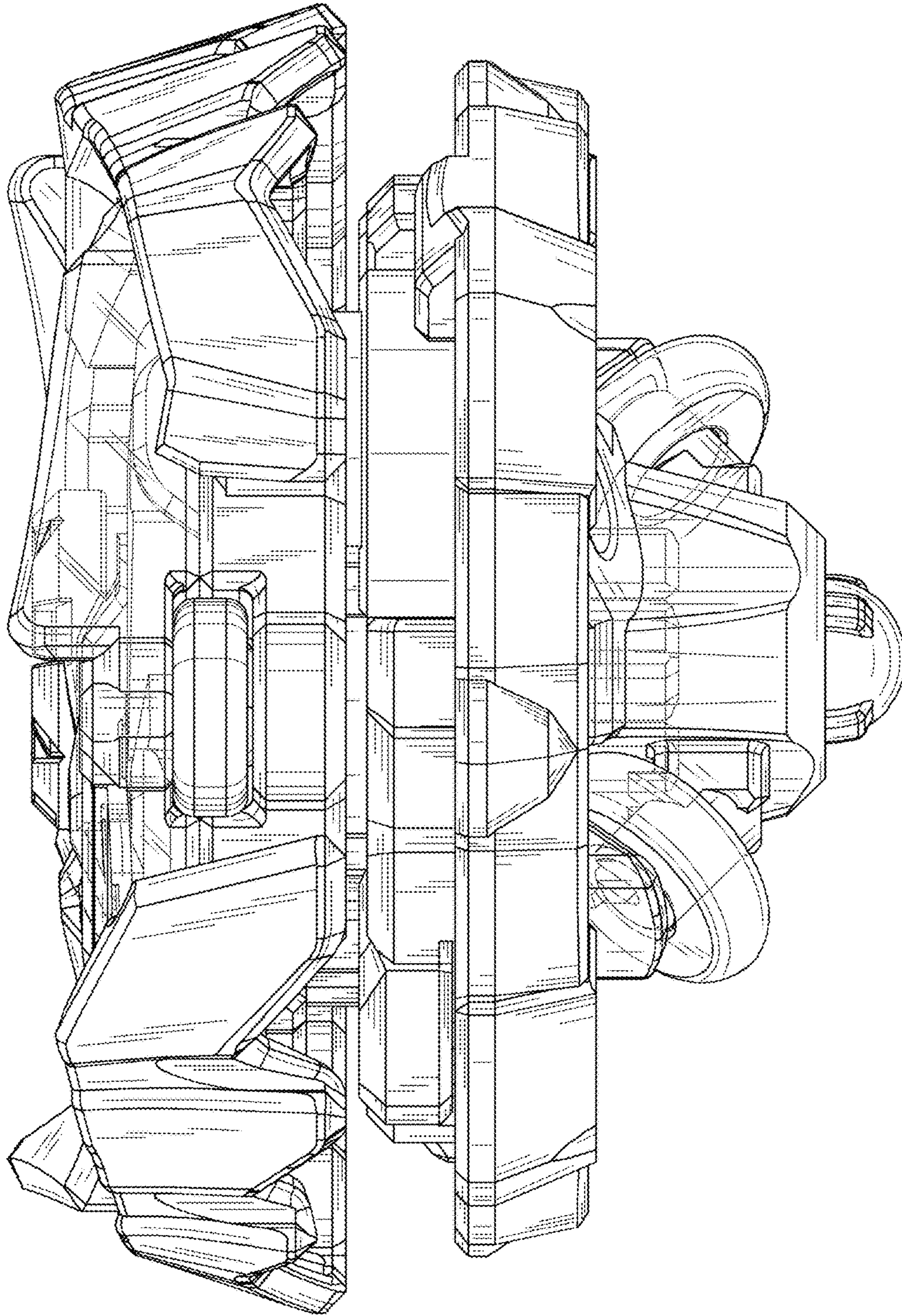


FIG. 4

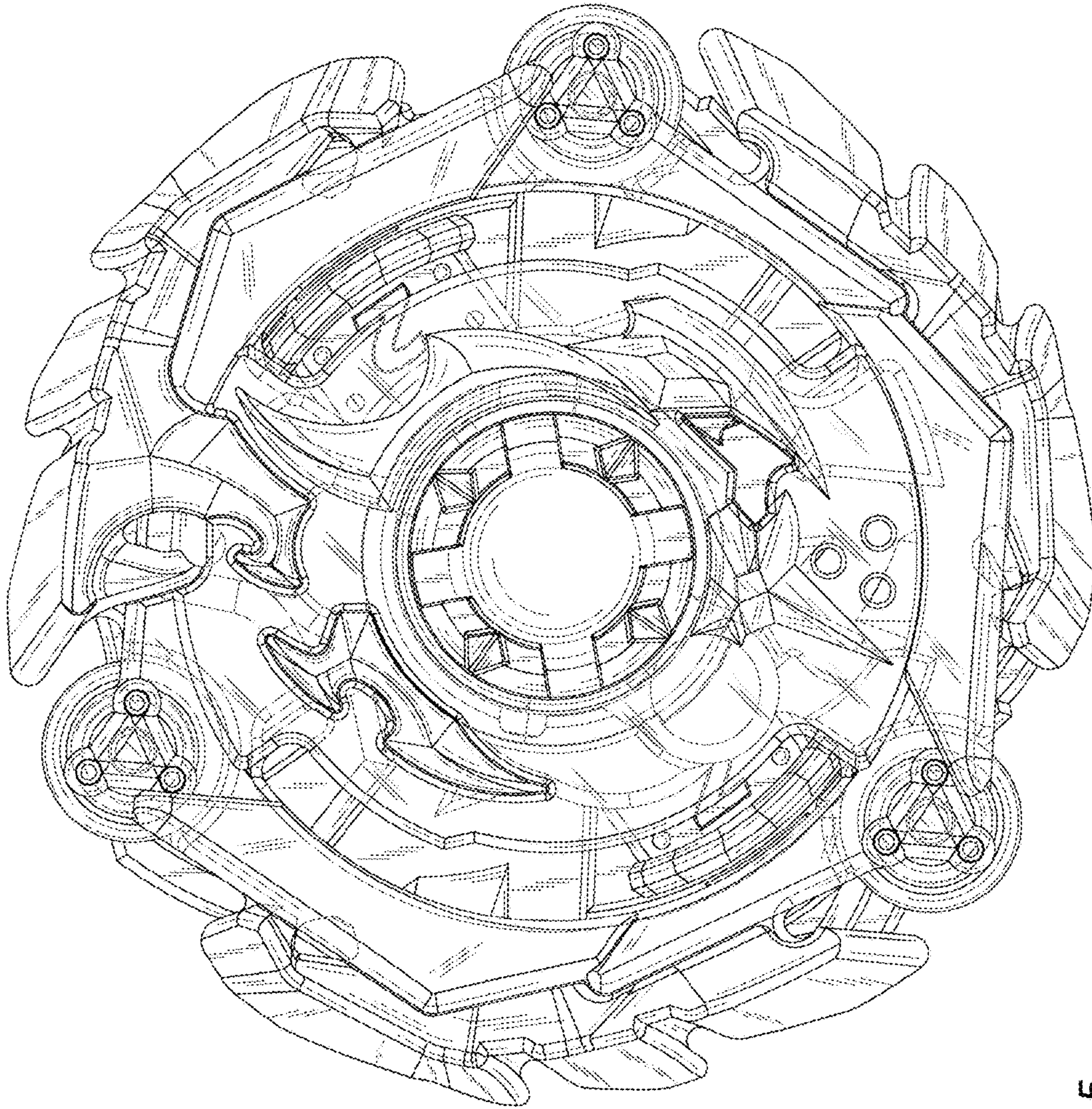


FIG. 5

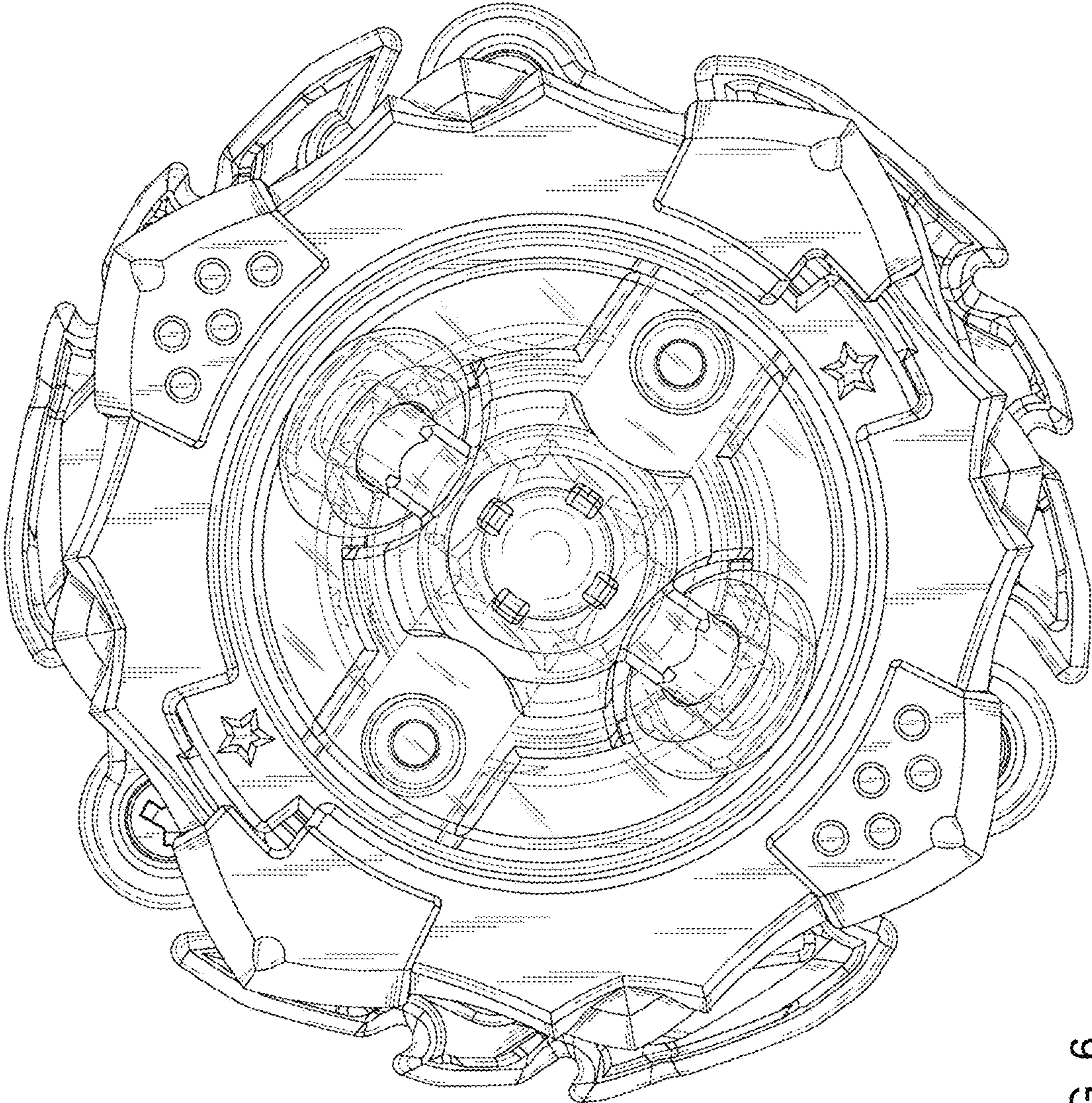


FIG. 6

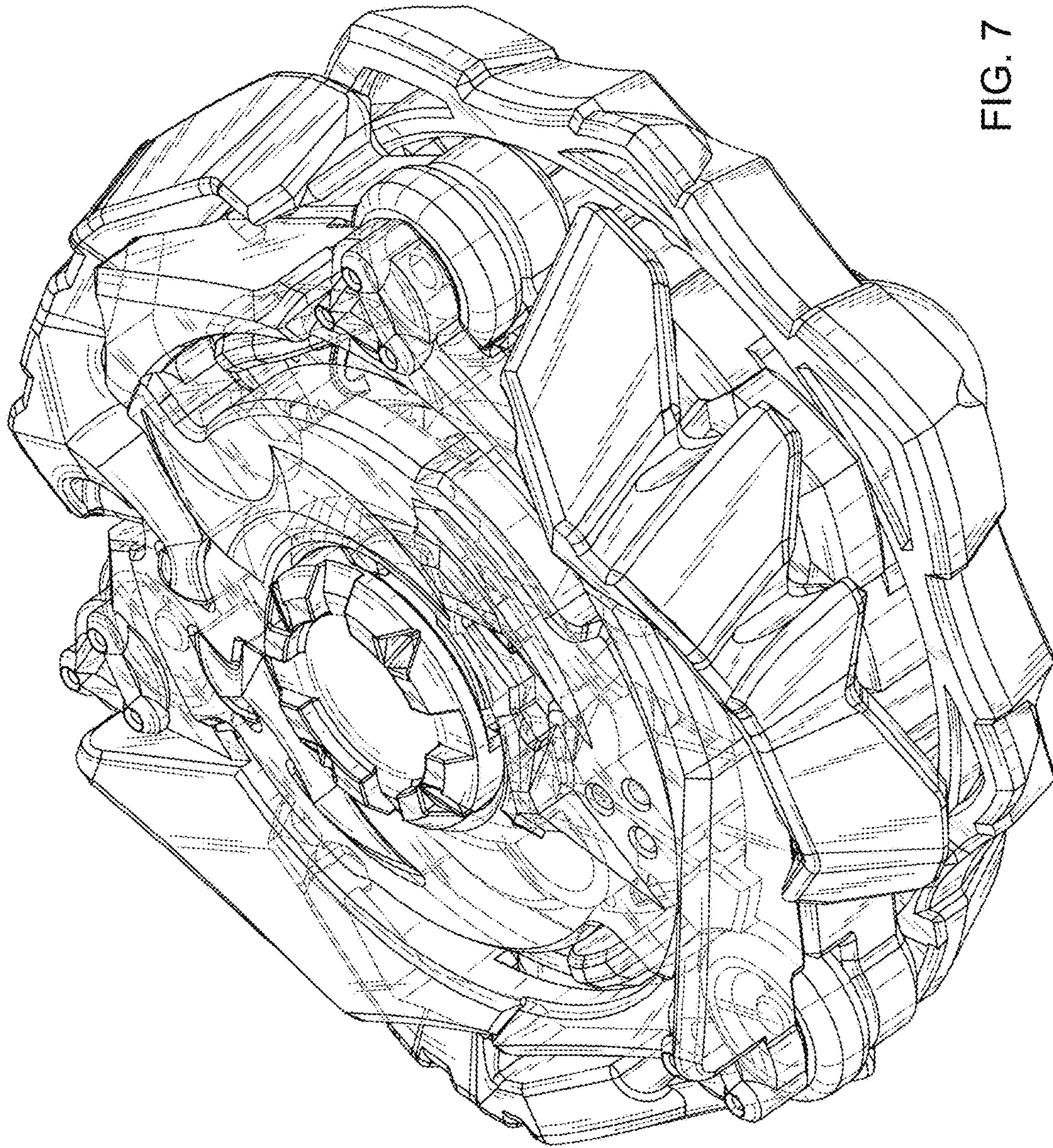


FIG. 7

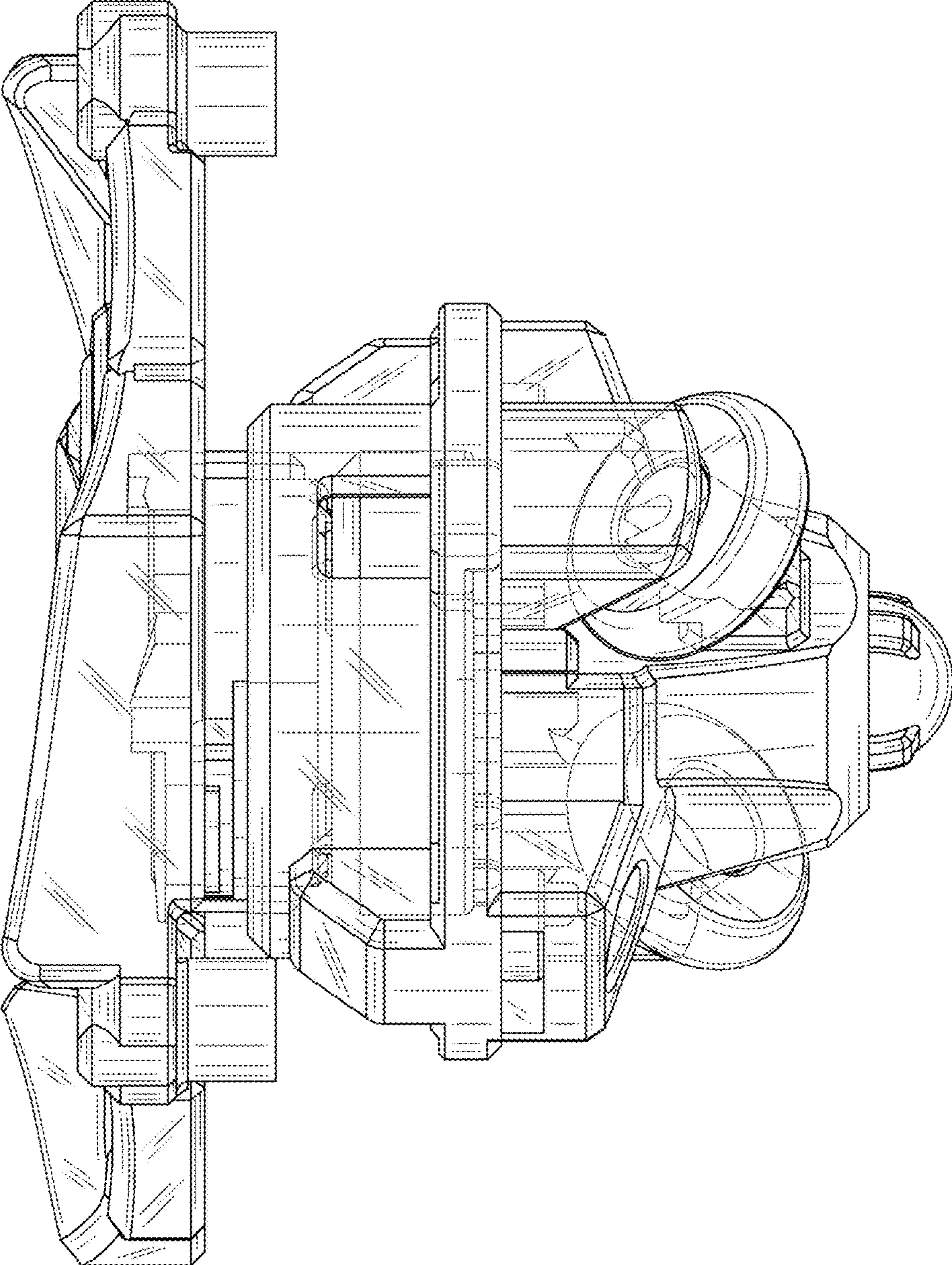


FIG. 8

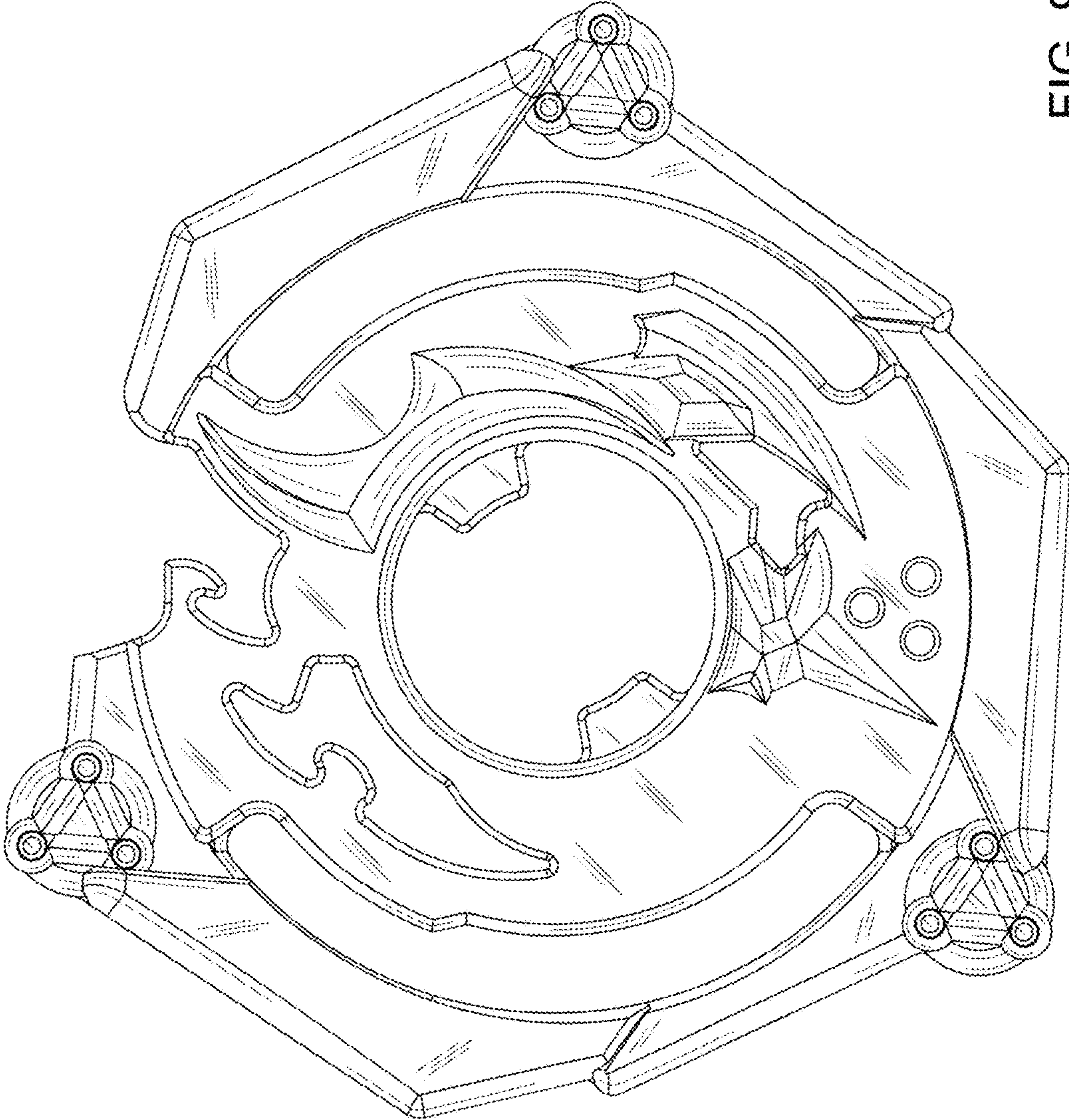


FIG. 9