



US00D820918S

(12) **United States Design Patent** (10) **Patent No.:** **US D820,918 S**
Zhong et al. (45) **Date of Patent:** **** Jun. 19, 2018**

(54) **FINGER SPINNER**
(71) Applicants: **Jing Zhong**, La Puente, CA (US); **Wei Li**, Shangrao (CN)
(72) Inventors: **Jing Zhong**, La Puente, CA (US); **Wei Li**, Shangrao (CN)
(**) Term: **15 Years**
(21) Appl. No.: **29/615,009**
(22) Filed: **Aug. 24, 2017**
(51) **LOC (11) Cl.** **21-01**
(52) **U.S. Cl.**
USPC **D21/455**; D21/460
(58) **Field of Classification Search**
USPC D21/398, 421, 444, 455-461, 463-465, D21/462; 446/236-266, 26; D11/2, 26, D11/86
CPC A63H 1/00-1/32; A63H 33/00; A63H 33/007; A63H 33/02; A63H 33/26; A63H 33/22; A44C 9/0053
See application file for complete search history.

D614,365 S * 4/2010 Watson D30/160
D700,755 S * 3/2014 Reiss D30/121
D801,440 S * 10/2017 Pavelsky D21/455
2004/0077253 A1* 4/2004 Tiefel A63H 1/00
446/15
2007/0049161 A1* 3/2007 Perry A63H 1/00
446/450
2017/0150631 A1* 5/2017 Hu H05K 7/023
2017/0326468 A1* 11/2017 Kinmont, Jr. A63H 33/26

FOREIGN PATENT DOCUMENTS

DE 202017103662 U1 * 9/2017 A63H 1/00
EM 003997923-0002 * 6/2017
FR 1063989 A * 5/1954 A63H 1/32

* cited by examiner

Primary Examiner — Catherine A Tuttle
(74) *Attorney, Agent, or Firm* — Raymond Y. Chan; David and Raymond Patent Firm

(57) **CLAIM**

The ornamental design for a finger spinner, as shown and described.

(56) **References Cited**

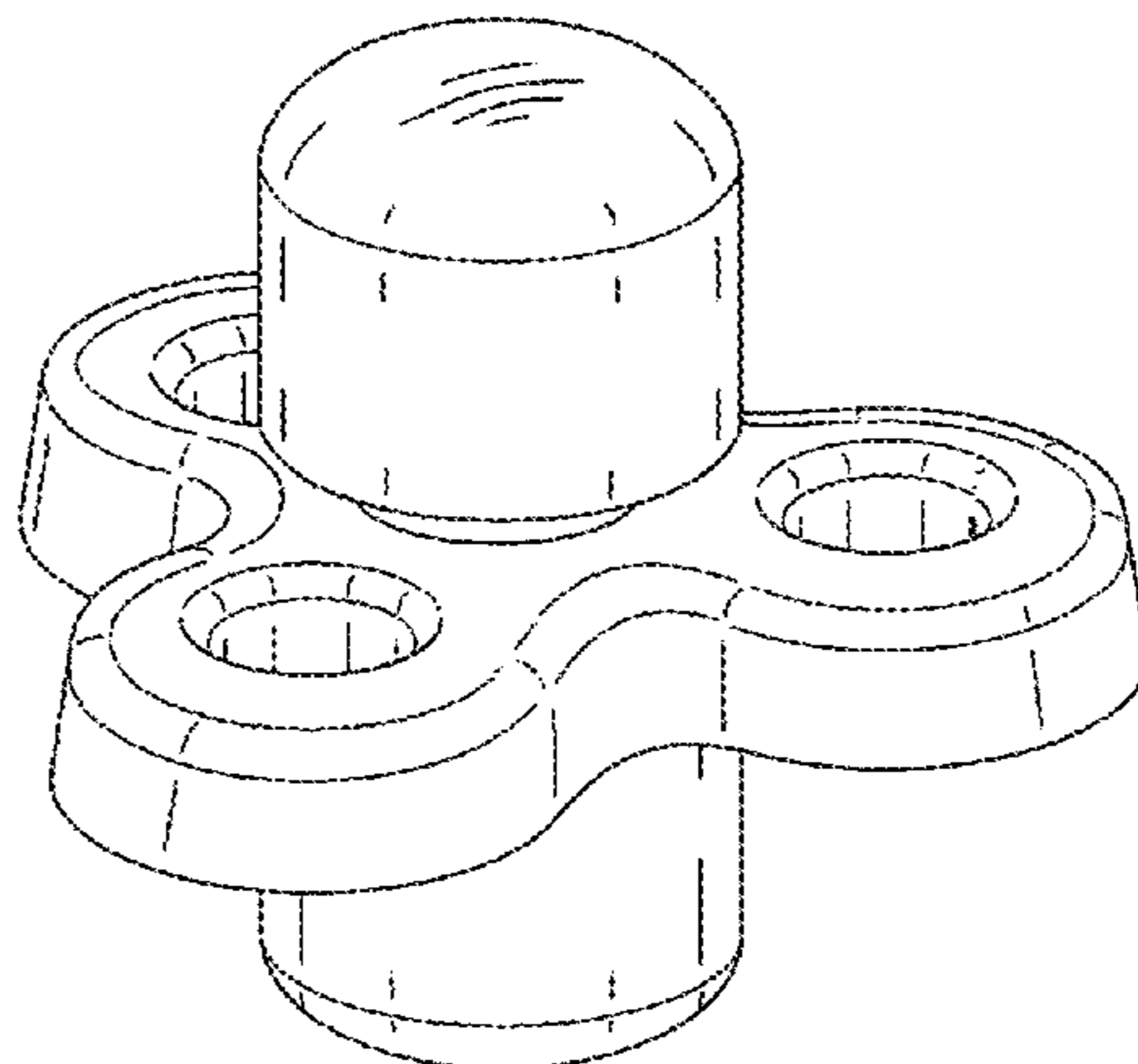
U.S. PATENT DOCUMENTS

D27,044 S * 5/1897 Quinn D21/455
D142,317 S * 8/1945 Elfmont D10/119.2
D156,773 S * 1/1950 Schaper 446/236
3,533,185 A * 10/1970 Kanbar A63B 23/16
446/266
4,040,625 A * 8/1977 Malafronte A63B 65/10
273/336
RE32,663 E * 5/1988 Atkinson E02B 3/14
404/40
5,045,011 A * 9/1991 Lovik A63H 33/18
273/114
5,655,777 A * 8/1997 Neading A63B 65/08
473/594
D396,501 S * 7/1998 Hatting D21/484
6,089,944 A * 7/2000 Bergkvist A63H 33/006
446/124

DESCRIPTION

FIG. 1 is a perspective view of the finger spinner showing my new design;
FIG. 2 is a front view thereof;
FIG. 3 is a rear view thereof;
FIG. 4 is a left view thereof;
FIG. 5 is a right view thereof;
FIG. 6 is a top view thereof;
FIG. 7 is a bottom view thereof; and,
FIG. 8 is a perspective view of the finger spinner, illustrating the finger spinner associated with the finger of a user. The broken line representation of the human finger is for illustrative purposes only and forms no part of the claimed design.

1 Claim, 8 Drawing Sheets



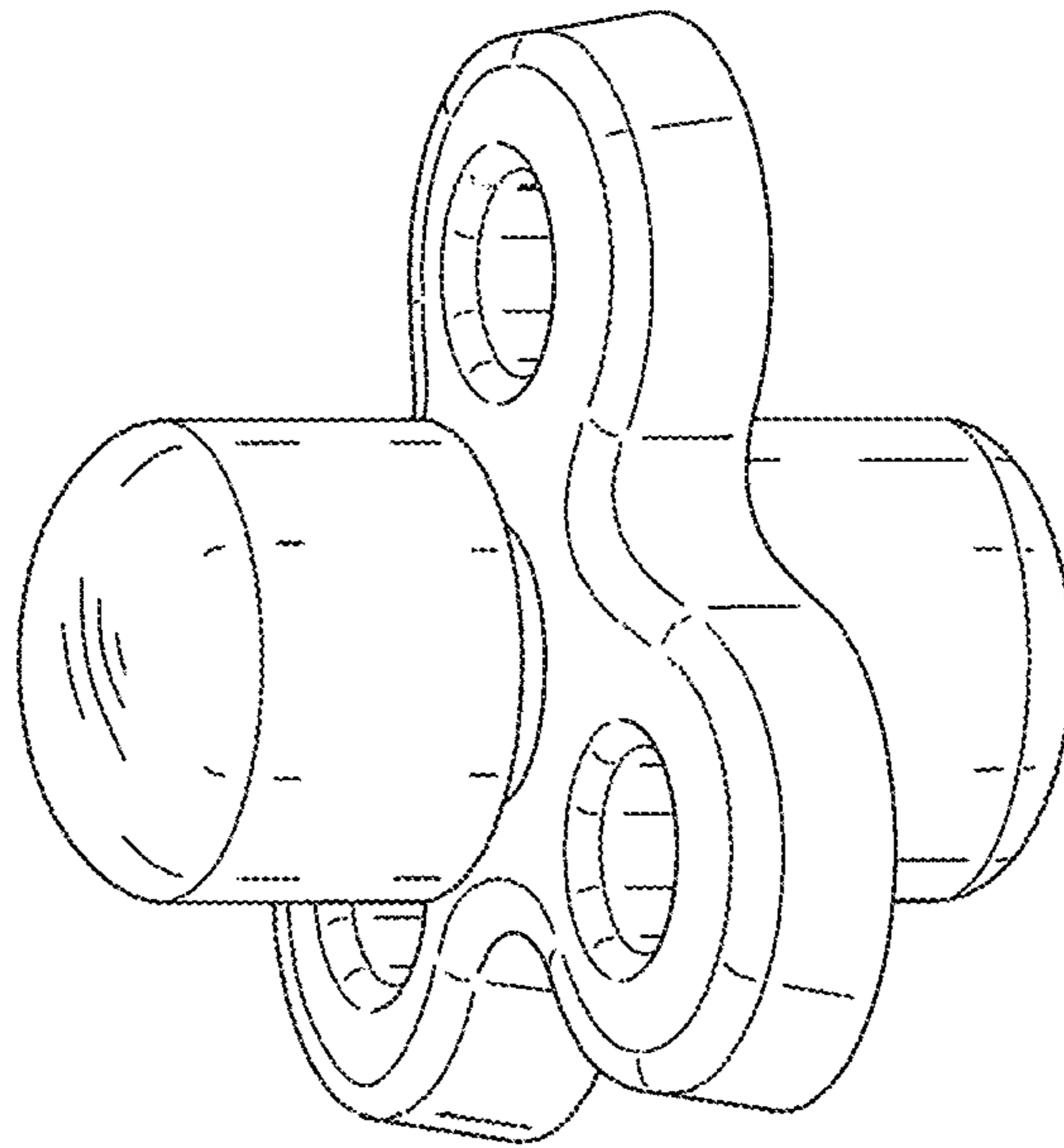


FIG. 1

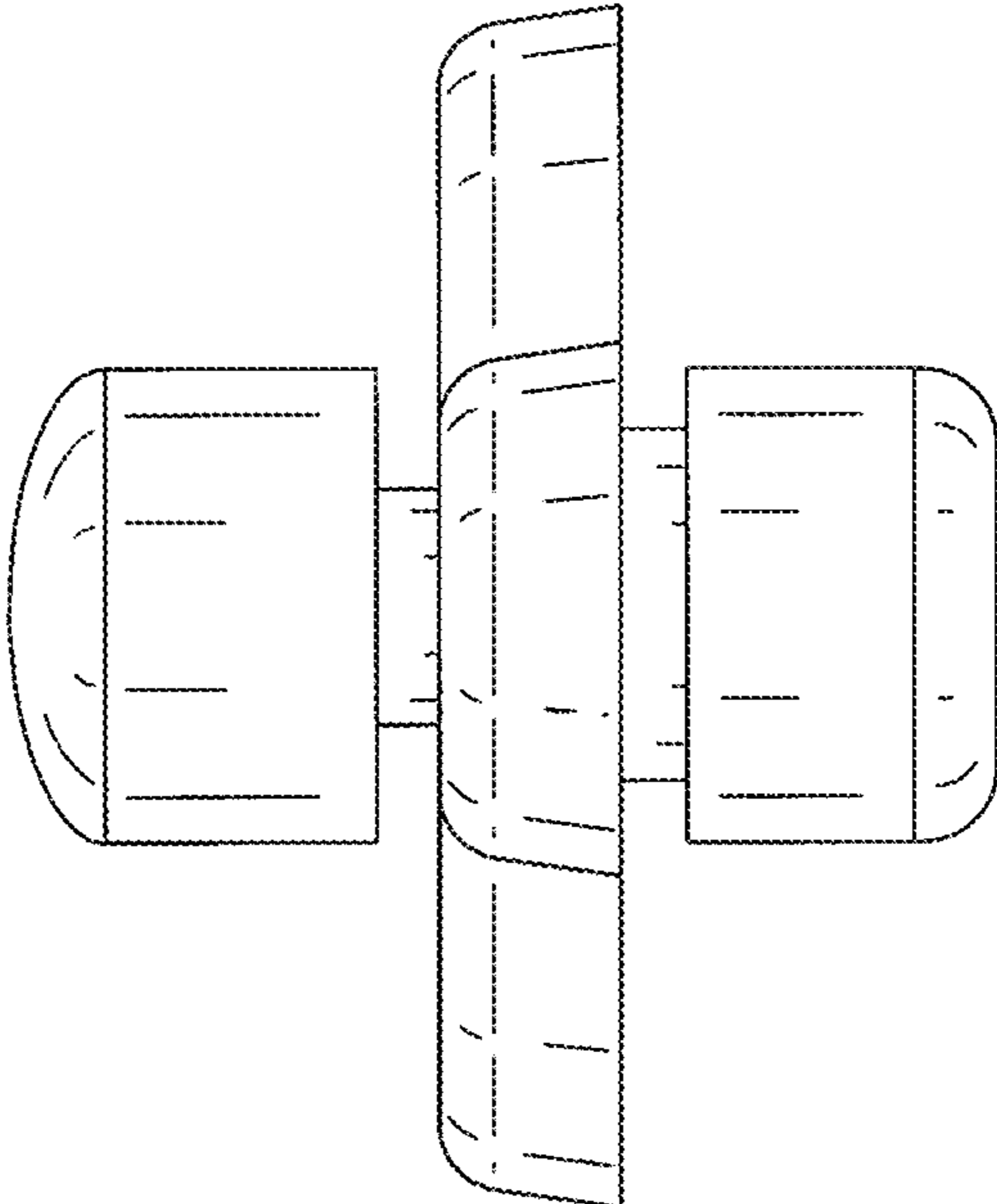


FIG. 2

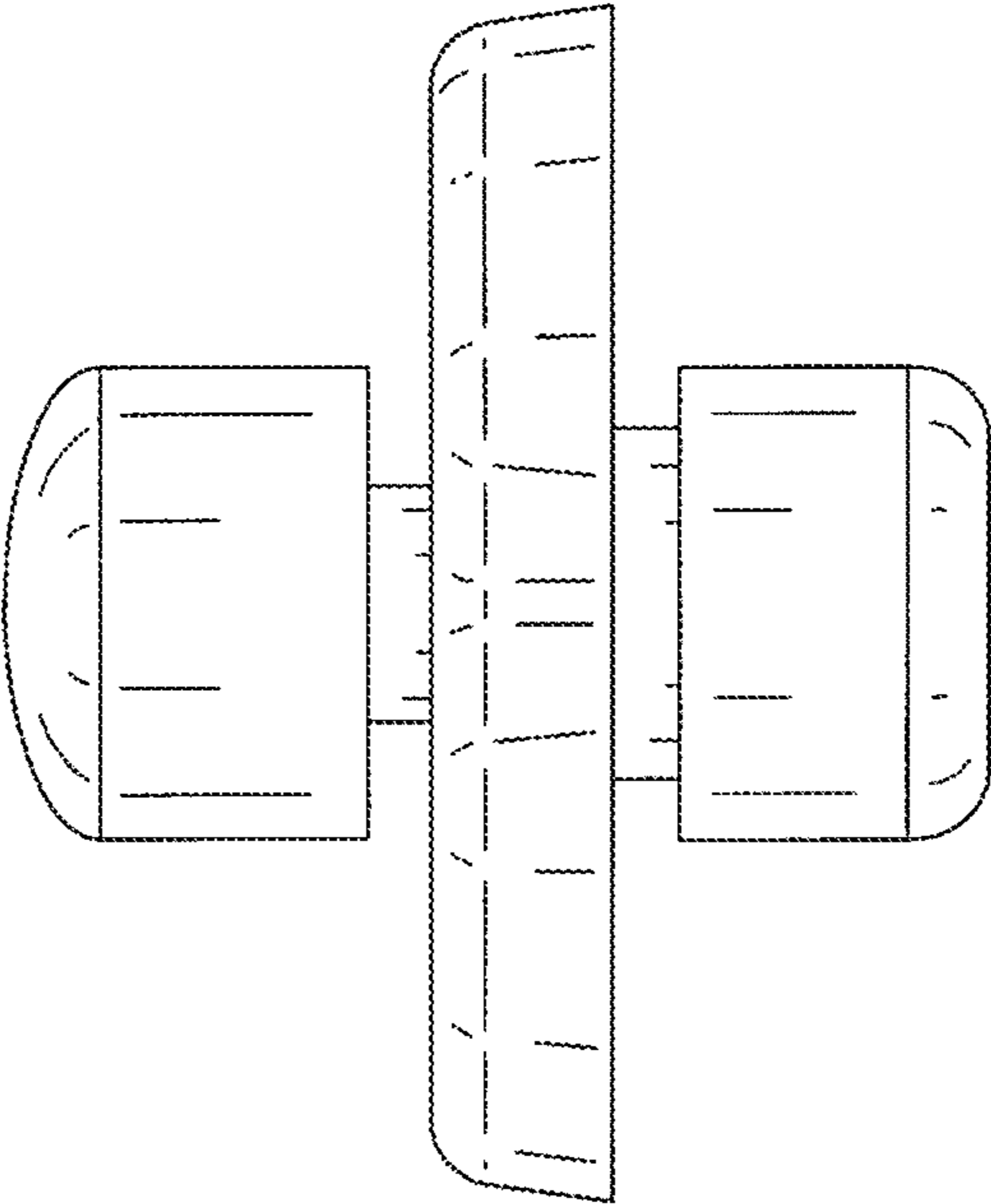


FIG. 3

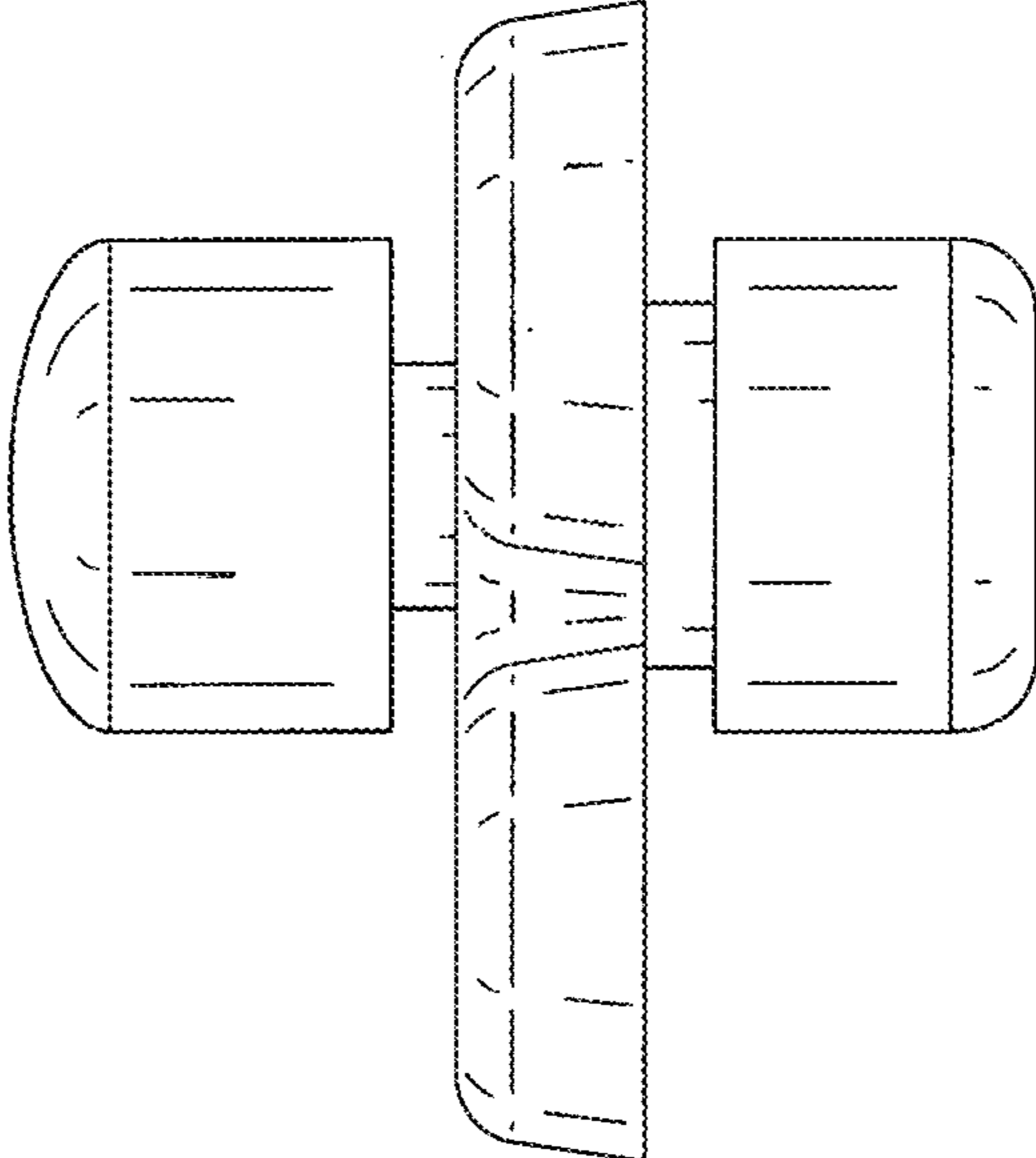


FIG. 4

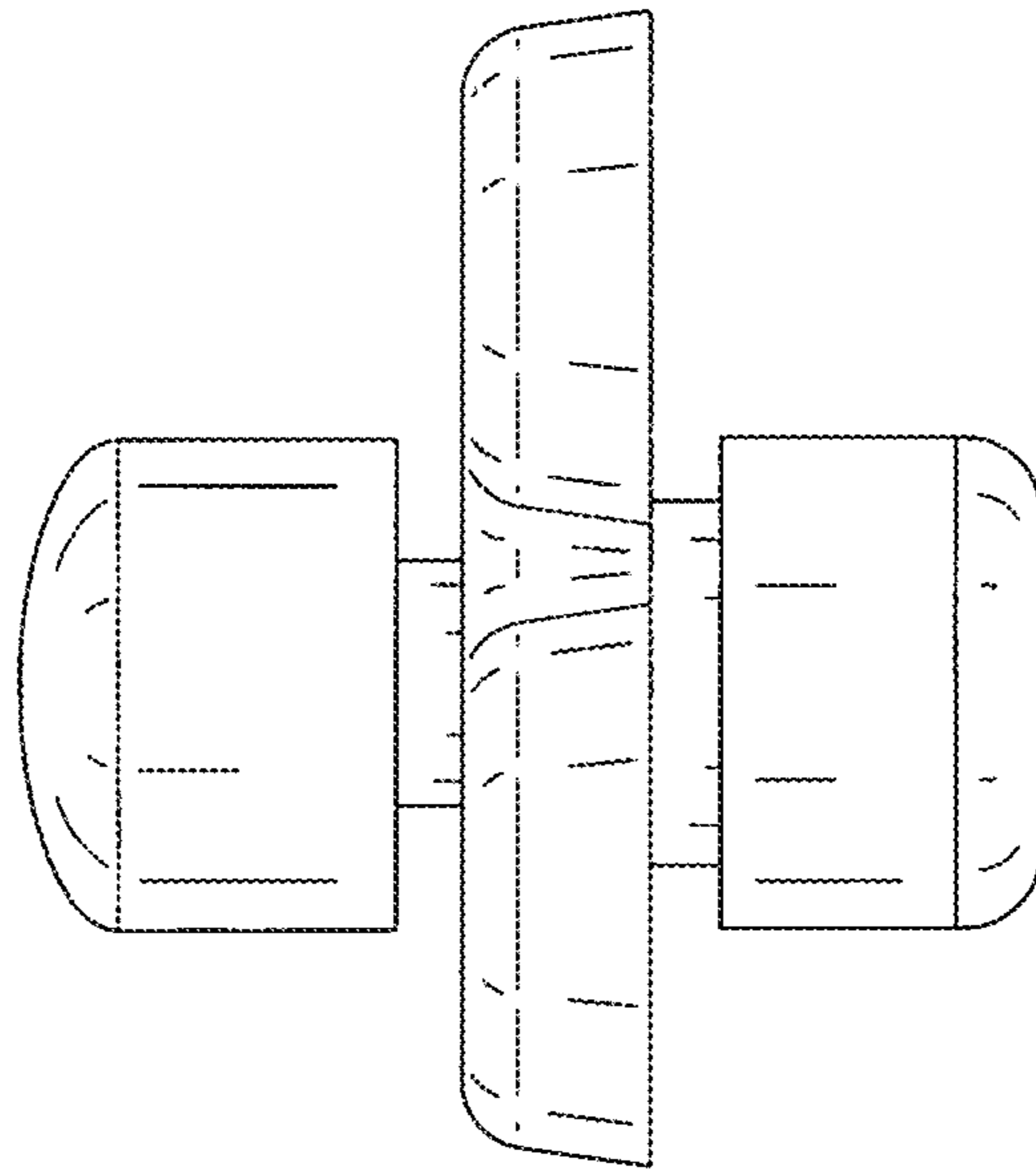


FIG. 5

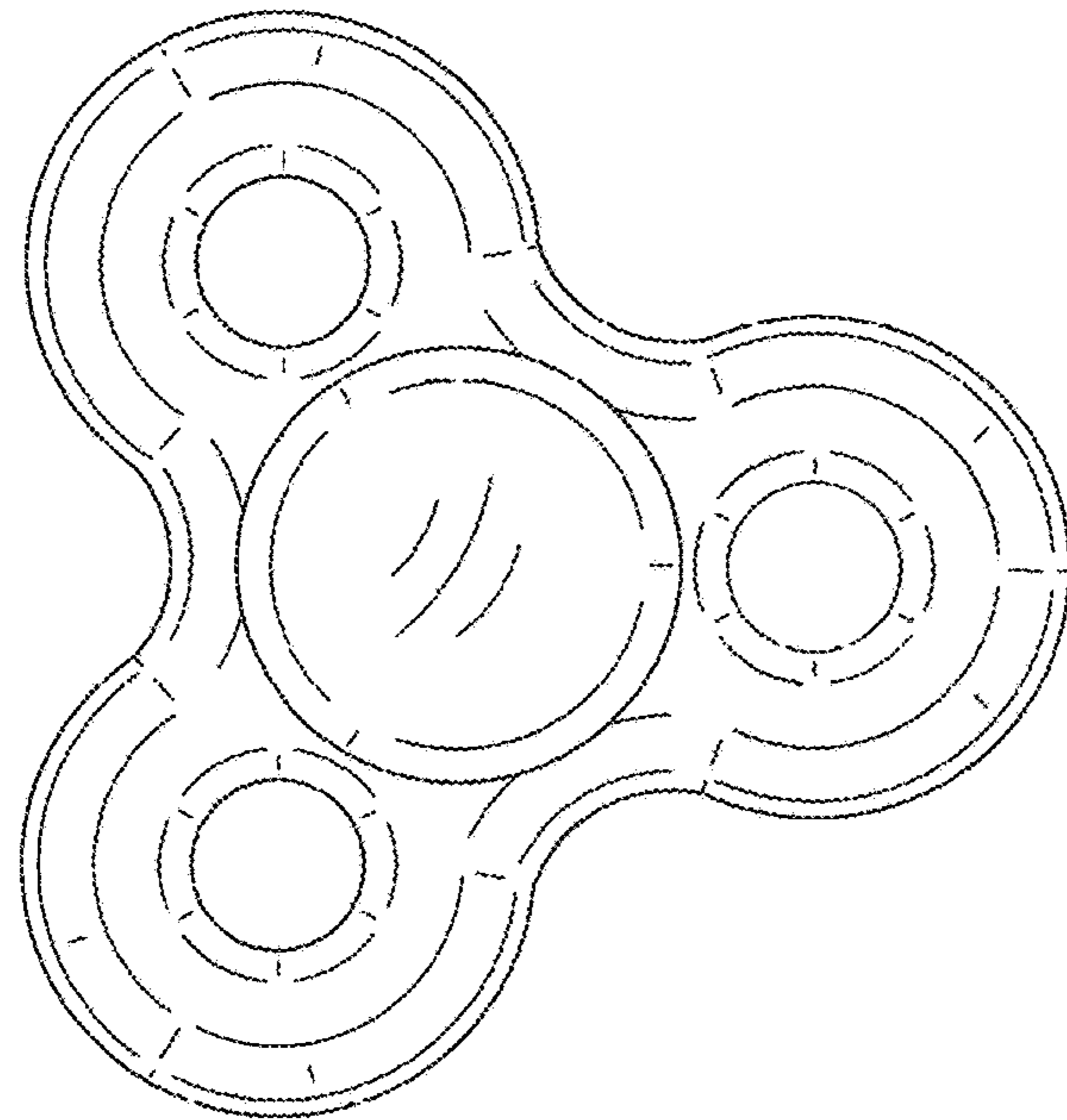


FIG. 6

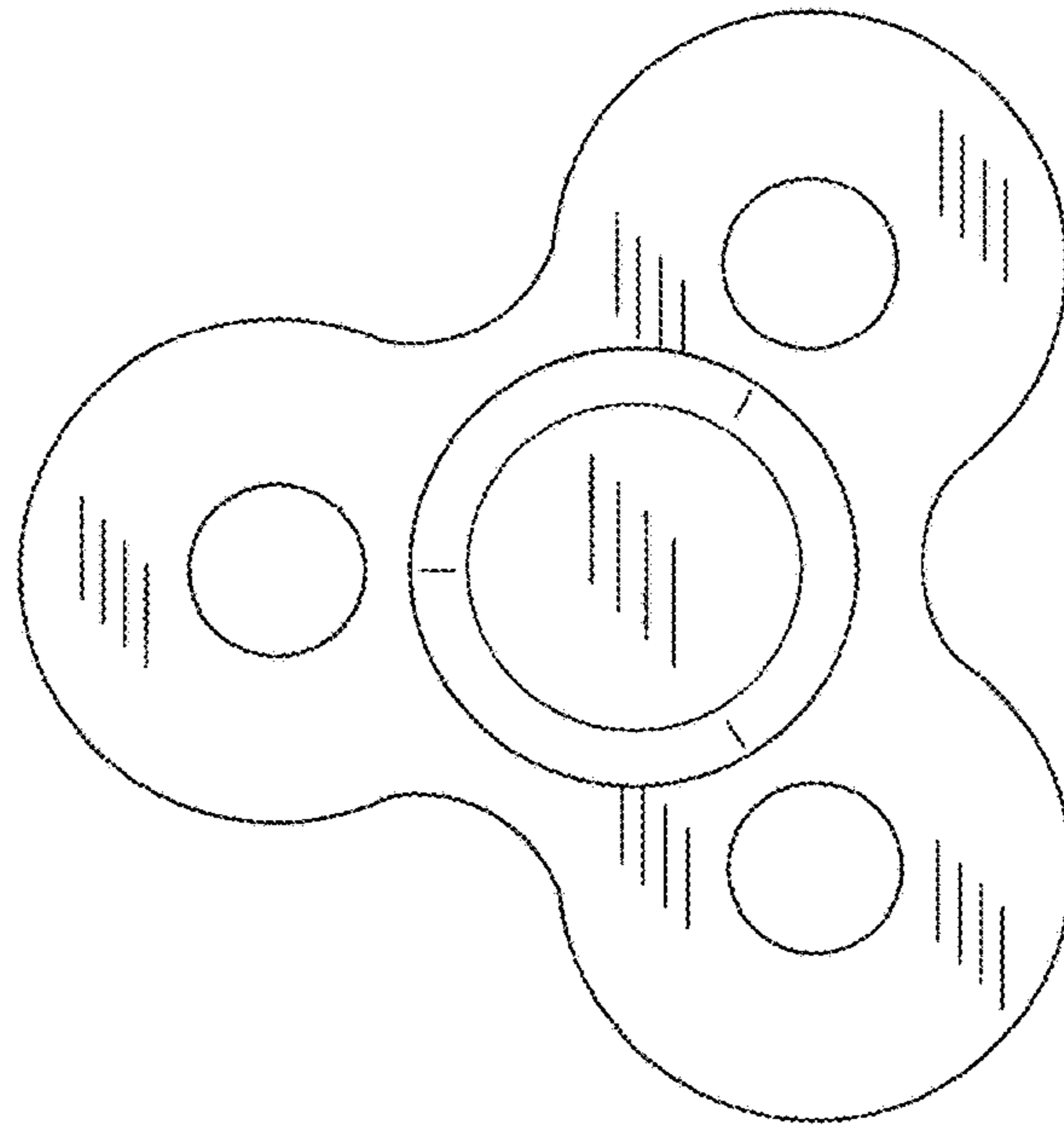


FIG. 7

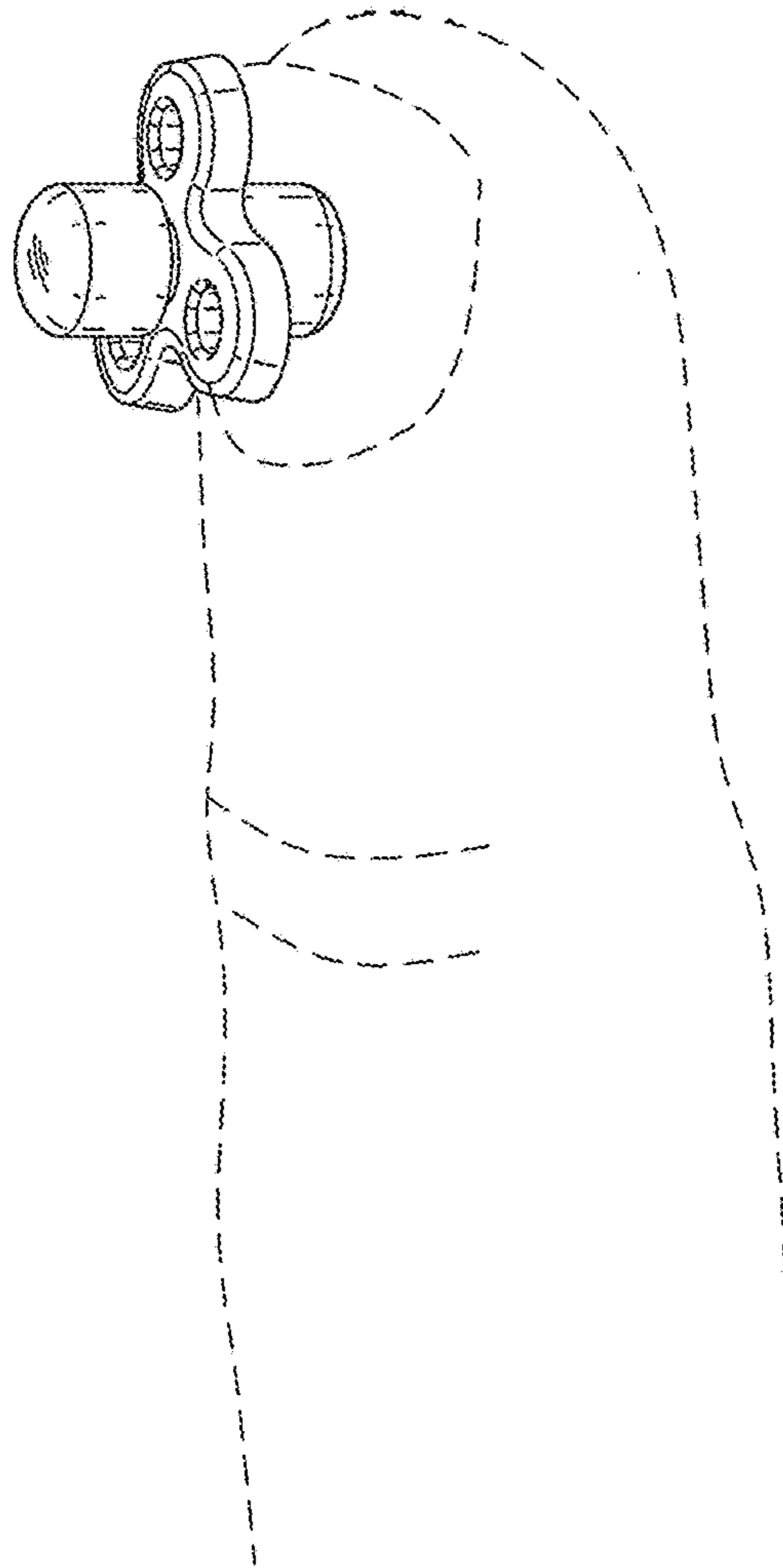


FIG. 8