



US00D820917S

(12) **United States Design Patent**
Perryman

(10) **Patent No.:** **US D820,917 S**
(45) **Date of Patent:** **** Jun. 19, 2018**

- (54) **PROPELLER FOR A MODEL AIRCRAFT**
- (71) Applicant: **TRAXXAS LP**, McKinney, TX (US)
- (72) Inventor: **Roy Perryman**, Fairview, TX (US)
- (73) Assignee: **TRAXXAS LP**, McKinney, TX (US)
- (**) Term: **15 Years**
- (21) Appl. No.: **29/540,840**
- (22) Filed: **Sep. 28, 2015**
- (51) **LOC (11) Cl.** **21-01**
- (52) **U.S. Cl.**
USPC **D21/453**; D12/345
- (58) **Field of Classification Search**
USPC D12/16.1, 305, 319, 326, 327, 328, 329,
D12/339, 344, 345, 214; D21/436, 441,
D21/442, 450, 453, 454, 301, 570;
D23/370, 371, 411; D13/115
CPC B64C 1/069; B64C 1/06; B64C 27/32
See application file for complete search history.

- D751,026 S * 3/2016 Tao D12/345
- D751,491 S * 3/2016 Chen D12/16.1
- D755,703 S * 5/2016 Hanscom D12/16.1
- D755,900 S * 5/2016 Goitein D21/453
- D756,466 S * 5/2016 Goitein D21/453

(Continued)

Primary Examiner — Robert M. Spear
Assistant Examiner — Marissa J Cash
(74) *Attorney, Agent, or Firm* — Daryl R. Wright; Greg Carr

(57) **CLAIM**

I claim the ornamental design for a propeller for a model aircraft, as shown and described.

DESCRIPTION

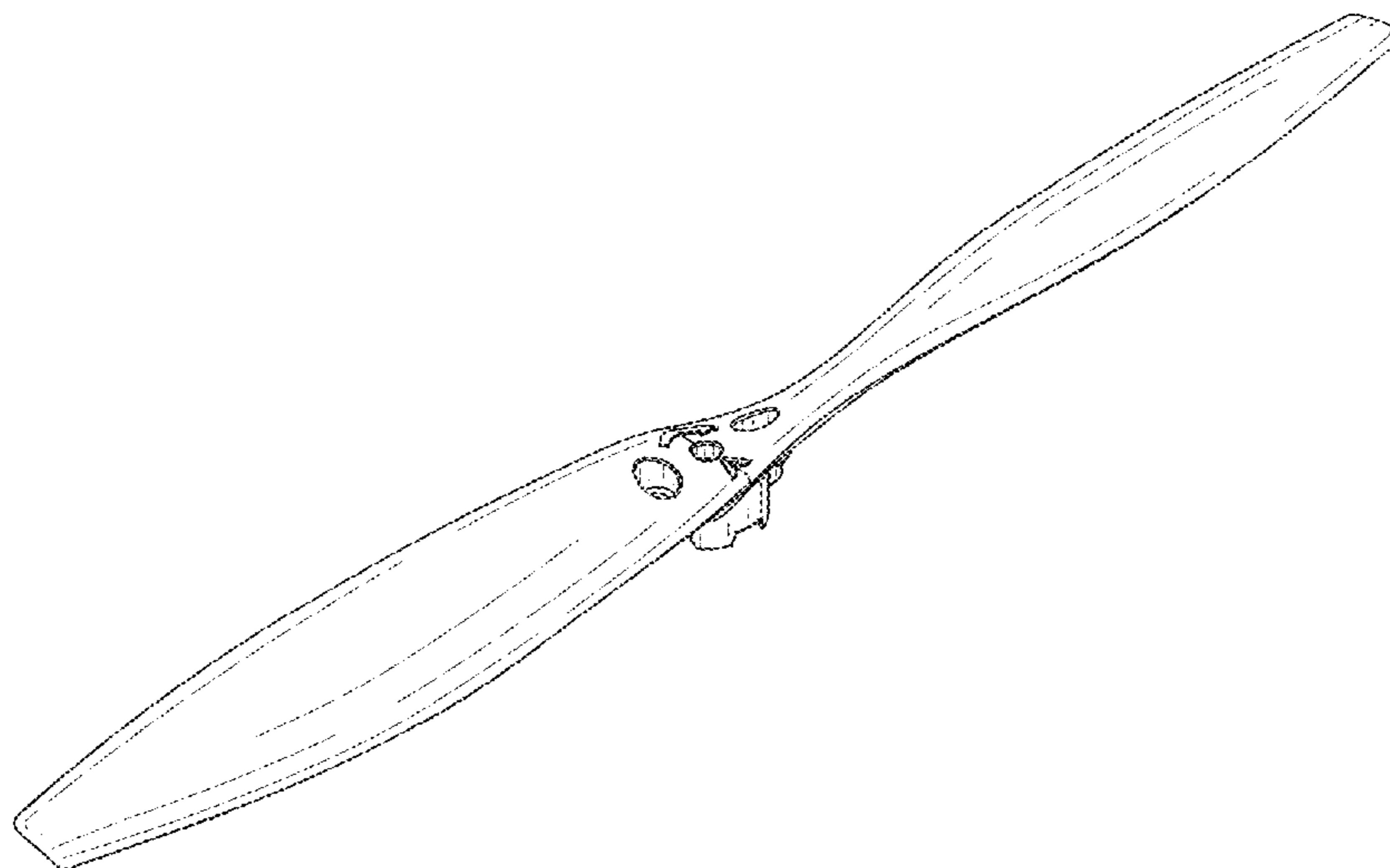
FIG. 1 is a top, right, front perspective view of a propeller for a model aircraft;
FIG. 2 is a left side view thereof, the right side view being a mirror image of the left side view;
FIG. 3 is a top elevation view thereof;
FIG. 4 is a front elevation view thereof, the rear elevational view being a mirror image of the front elevational view;
FIG. 5 is a top, right, front perspective view of a propeller for a model aircraft;
FIG. 6 is a left side view thereof, the right side view being a mirror image of the left side view;
FIG. 7 is a top elevation view thereof;
FIG. 8 is a front elevation view thereof, the rear elevational view being a mirror image of the front elevational view; and,
FIG. 9 is a top, right, front perspective view of a model quadrotor helicopter illustrating the claimed propeller for a model aircraft in its environment.
Structural elements depicted by broken lines have been shown for the purpose of illustrating portions of the propeller for a model aircraft or its environment that form no part of the claimed design.

(56) **References Cited**

U.S. PATENT DOCUMENTS

- D132,376 S * 5/1942 Munk D12/214
- D152,705 S * 2/1949 Leahy 416/234
- D215,457 S * 10/1969 Wallace D21/450
- D252,390 S * 7/1979 Voisard 416/214 R
- D465,196 S * 11/2002 Dammar D12/328
- D495,376 S * 8/2004 Zee D21/450
- D623,704 S * 9/2010 Yuen D21/442
- D629,467 S * 12/2010 Cai D21/442
- D633,956 S * 3/2011 Cheng D21/442
- D635,199 S * 3/2011 Yuen D21/442
- D646,728 S * 10/2011 Cheng D21/442
- D659,771 S * 5/2012 Seydoux D21/441
- D691,514 S * 10/2013 Wang D12/16.1
- D708,273 S * 7/2014 Kouyoumjian D12/328
- D725,715 S * 3/2015 Goitein D21/449
- D741,751 S * 10/2015 Klaptocz D12/16.1

1 Claim, 5 Drawing Sheets



(56)

References Cited

U.S. PATENT DOCUMENTS

D757,859	S	*	5/2016	Goitein	D21/453
D761,184	S	*	7/2016	Xiao	D12/214
D761,920	S	*	7/2016	Fargeau	D12/16.1
D767,043	S	*	9/2016	Morrison	D12/16.1
D768,539	S	*	10/2016	Lee	D12/16.1
D768,789	S	*	10/2016	Fargeau	D12/16.1
D779,595	S	*	2/2017	Xiao	D12/16.1
D782,366	S	*	3/2017	Xiao	D12/16.1
D783,727	S	*	4/2017	Xiao	D21/441
D784,854	S	*	4/2017	Huang	D12/16.1
D785,541	S	*	5/2017	Du	D12/328
D785,717	S	*	5/2017	Xiao	D21/441
D790,430	S	*	6/2017	Ali	D12/214
D792,318	S	*	7/2017	Du	D12/214
D793,482	S	*	8/2017	Wang	D12/16.1
D796,586	S	*	9/2017	Chen	D12/16.1
D798,962	S	*	10/2017	Xiao	B64C 1/00
						D21/441
2015/0336670	A1	*	11/2015	Zhang	B64C 1/00
						244/119
2016/0183514	A1	*	6/2016	Dederick	A01M 29/06
						119/713
2016/0244176	A1	*	8/2016	Xiao	B60L 7/10

* cited by examiner

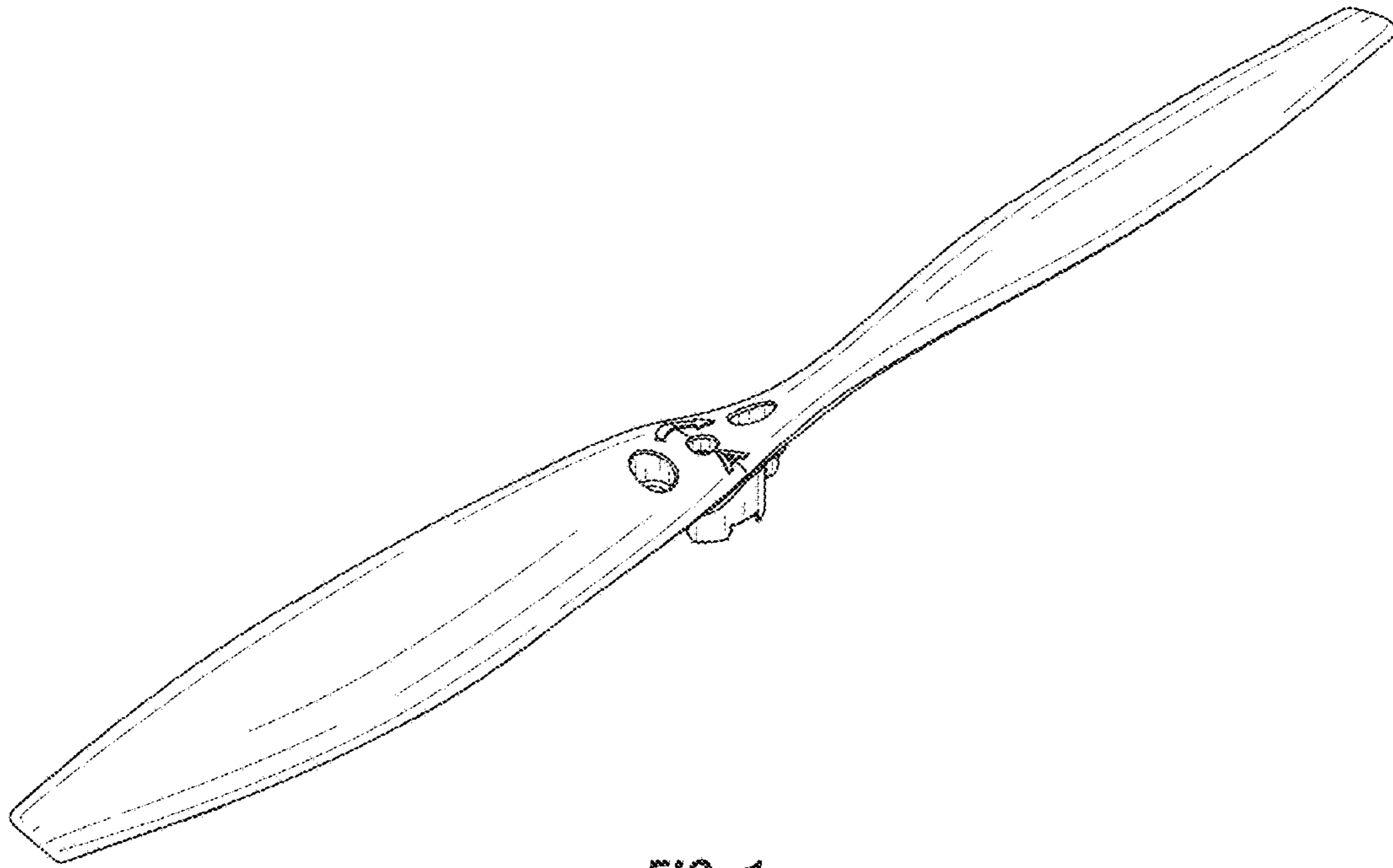


FIG. 1

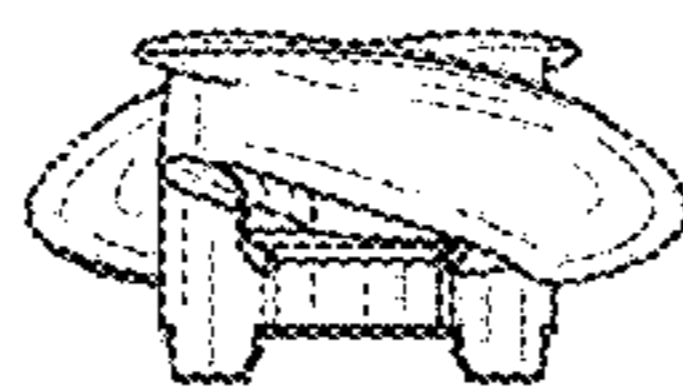


FIG. 2

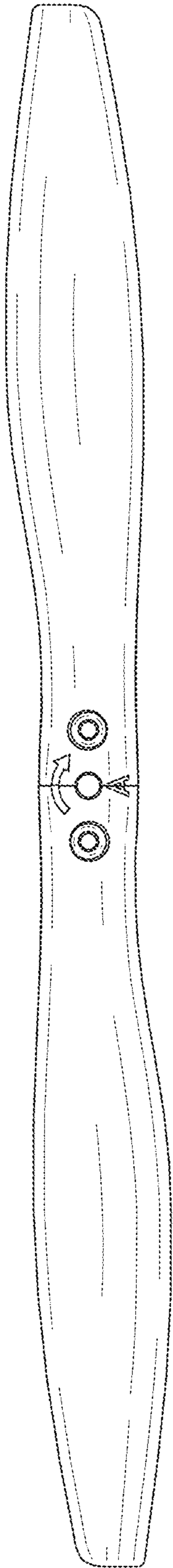


FIG. 3



FIG. 4

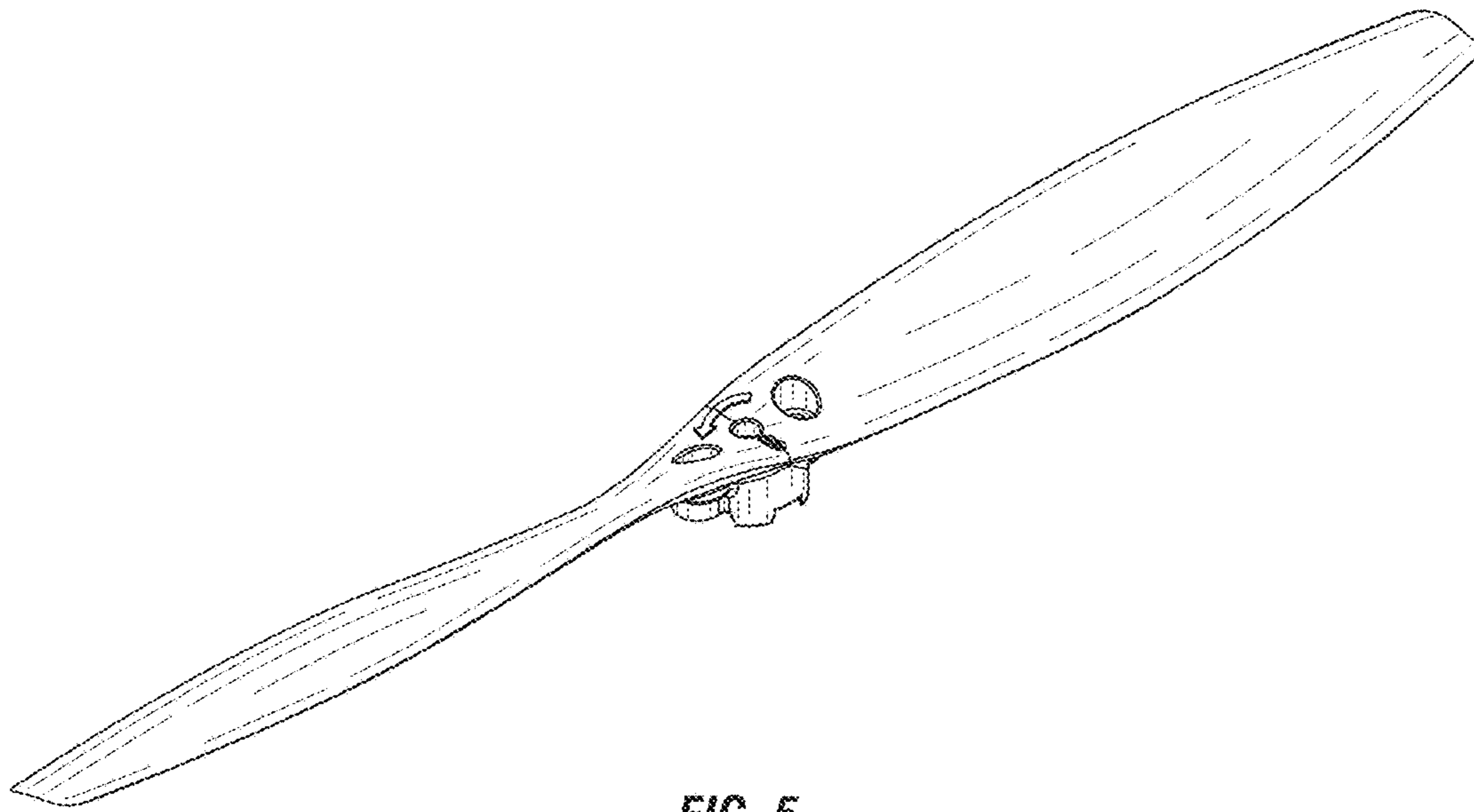


FIG. 5

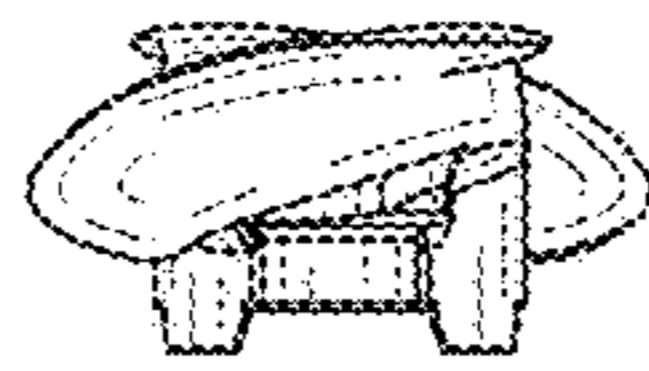


FIG. 6

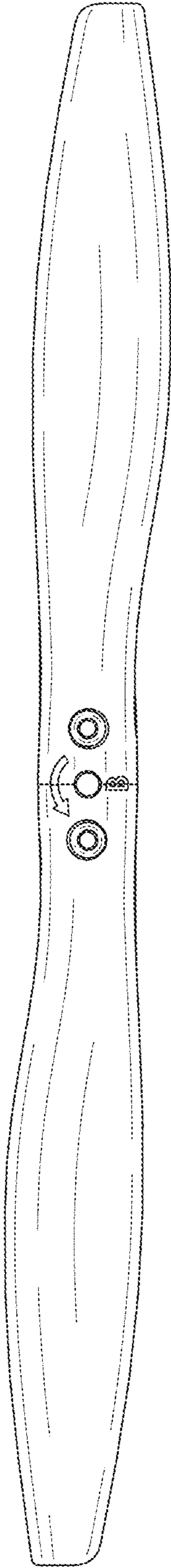


FIG. 7

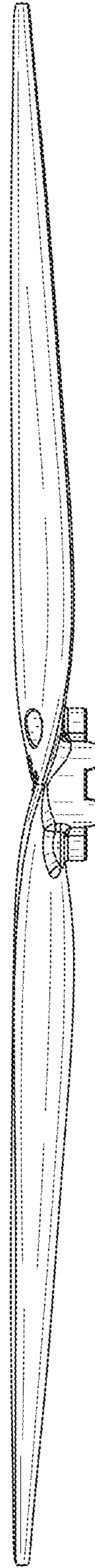


FIG. 8

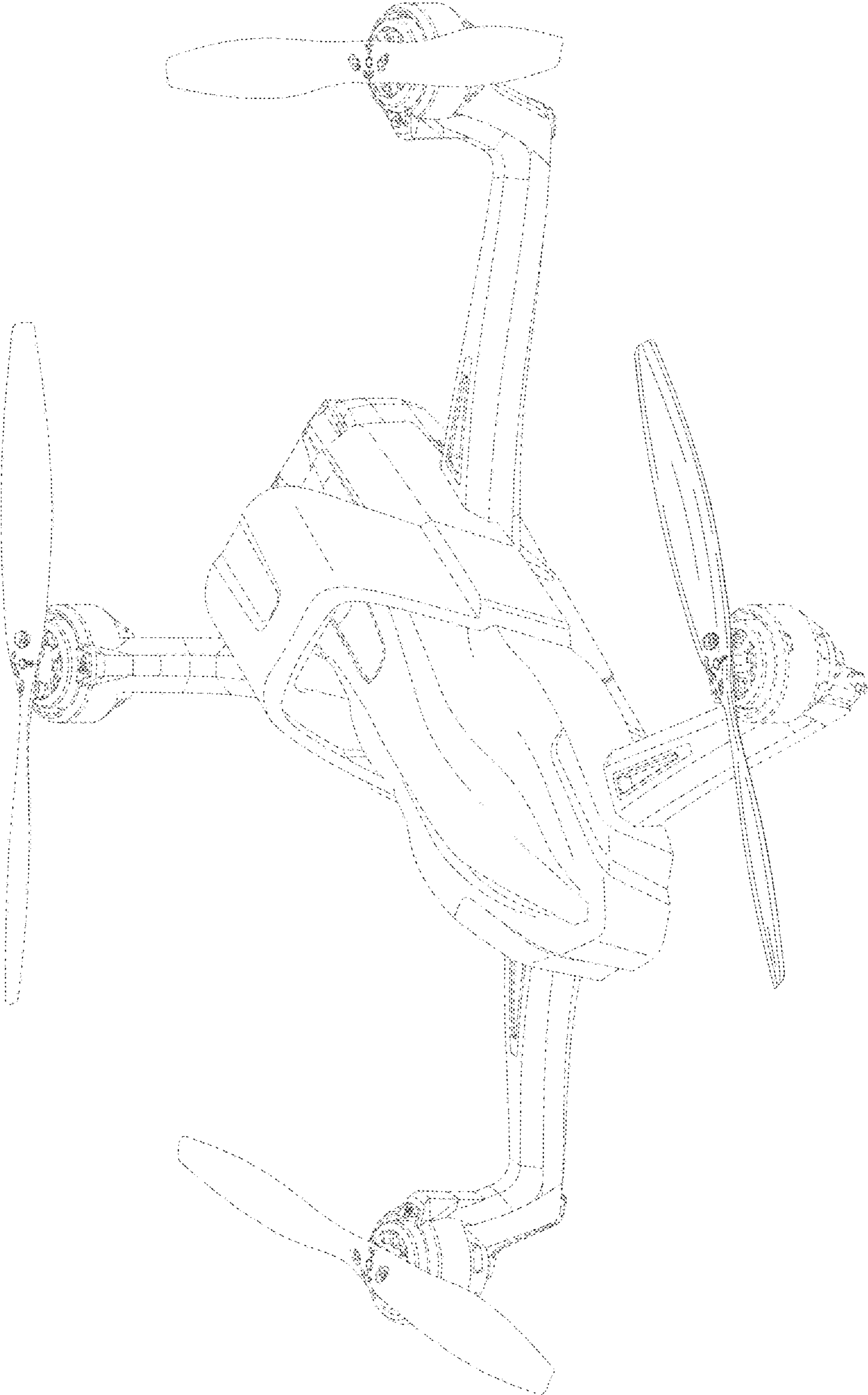


FIG. 9