



US00D820909S

(12) **United States Design Patent**
Conti

(10) **Patent No.:** **US D820,909 S**
(45) **Date of Patent:** **** Jun. 19, 2018**

(54) **PEN**
(71) Applicant: **PRODIR SA**, Cadempino (CH)
(72) Inventor: **Marco Conti**, Albese Con Cassano (IT)
(73) Assignee: **Pagani Pens SA** (CH)
(**) Term: **15 Years**
(21) Appl. No.: **35/501,910**
(22) Filed: **Oct. 23, 2016**
(80) **Hague Agreement Data**
Int. Filing Date: **Oct. 23, 2016**
Int. Reg. No.: **DM/093280**
Int. Reg. Date: **Oct. 23, 2016**
Int. Reg. Pub. Date: **Nov. 18, 2016**

(51) **LOC (11) Cl.** **19-06**
(52) **U.S. Cl.**
USPC **D19/171**; D19/912; D19/918
(58) **Field of Classification Search**
USPC D9/436, 446, 723; D14/411;
D19/115-204, 81-85, 66, 70, 71
CPC ... B43K 5/00; B43K 7/00; B43K 7/12; B43K
8/04; B43K 8/06; B43K 19/00; B43K
19/02; B43K 19/14; B43K 24/08
See application file for complete search history.

(56) **References Cited**
U.S. PATENT DOCUMENTS
D146,335 S * 2/1947 Colomy D19/171
D187,315 S * 2/1960 Williams D19/151
3,219,016 A * 11/1965 Hechtle B43K 24/163
401/112
3,225,746 A * 12/1965 Hechtle B43K 24/163
401/112
D324,238 S * 2/1992 Nitta D19/173
D415,199 S * 10/1999 Pellissa Beneyto D19/174
D427,633 S * 7/2000 Pellisa Beneyto D19/174

D490,851 S * 6/2004 Losel D19/174
D498,493 S * 11/2004 Togawa D19/117
D523,081 S * 6/2006 Pellissa Beneyto D19/174
D553,681 S * 10/2007 Cetera D19/171
D589,559 S * 3/2009 Slep D19/169
D612,427 S * 3/2010 Soetewey D19/192
D644,691 S * 9/2011 Pagani D19/173
D646,327 S * 10/2011 Casciotti D19/185
D662,544 S * 6/2012 Losel D19/174
D685,424 S * 7/2013 Allemeier D19/173
D685,847 S * 7/2013 Kemmerer D19/173
D690,360 S * 9/2013 Jin D19/173
D694,324 S * 11/2013 Cambianica D19/173
D694,325 S * 11/2013 Cambianica D19/173
D694,326 S * 11/2013 Cambianica D19/173
D700,652 S * 3/2014 Fischer D19/170
D724,148 S * 3/2015 Bo D19/173
D730,987 S * 6/2015 Schnug D19/171
D736,317 S * 8/2015 Miller D19/173
D772,983 S * 11/2016 Bo D19/174
D777,836 S * 1/2017 Schnug D19/173
D797,191 S * 9/2017 Schnug D19/171
2009/0165261 A1 * 7/2009 Furukawa B43K 23/126
24/11 R

* cited by examiner

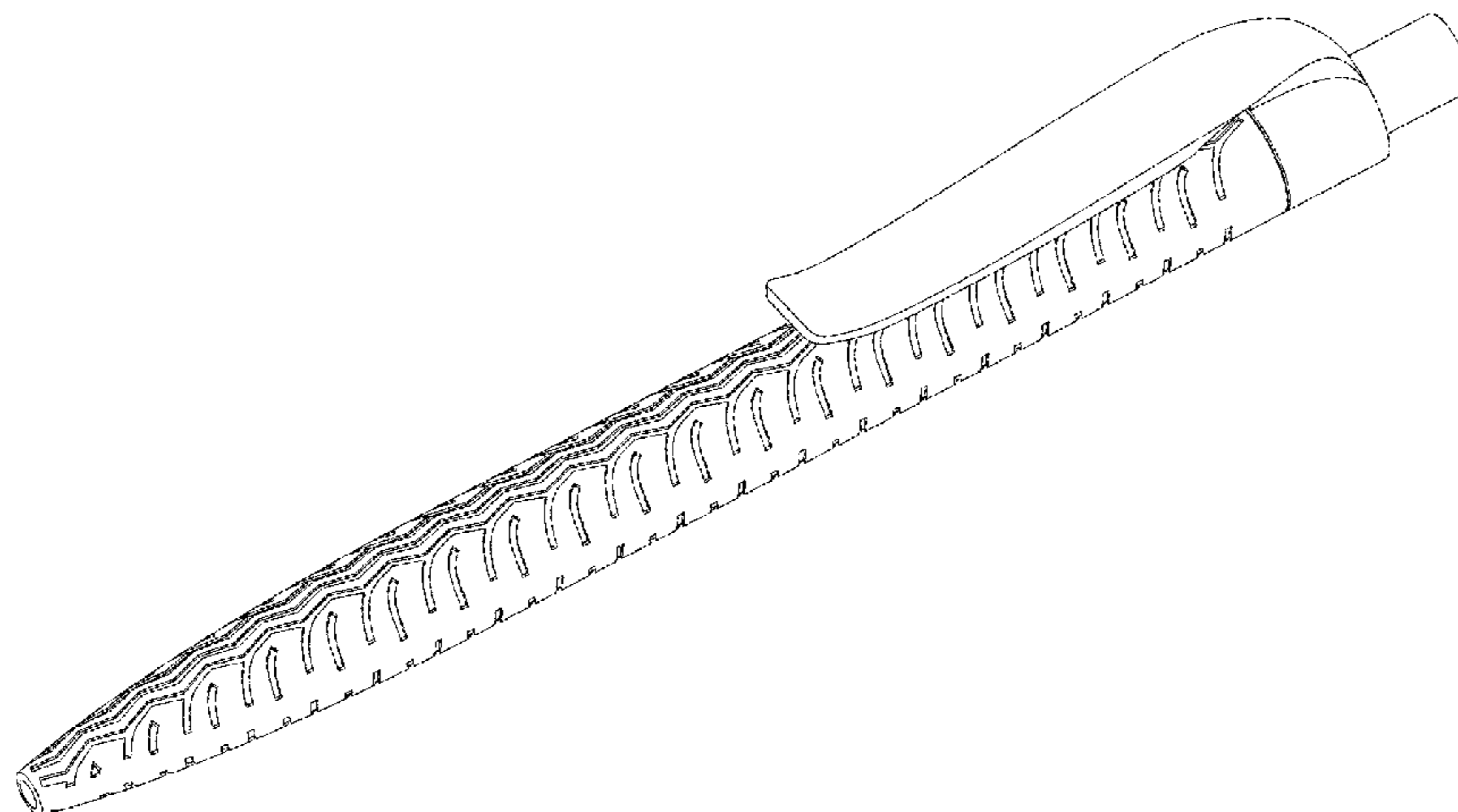
Primary Examiner — Elizabeth Albert
(74) *Attorney, Agent, or Firm* — Daniel A. Tallitsch;
Baker McKenzie LLP

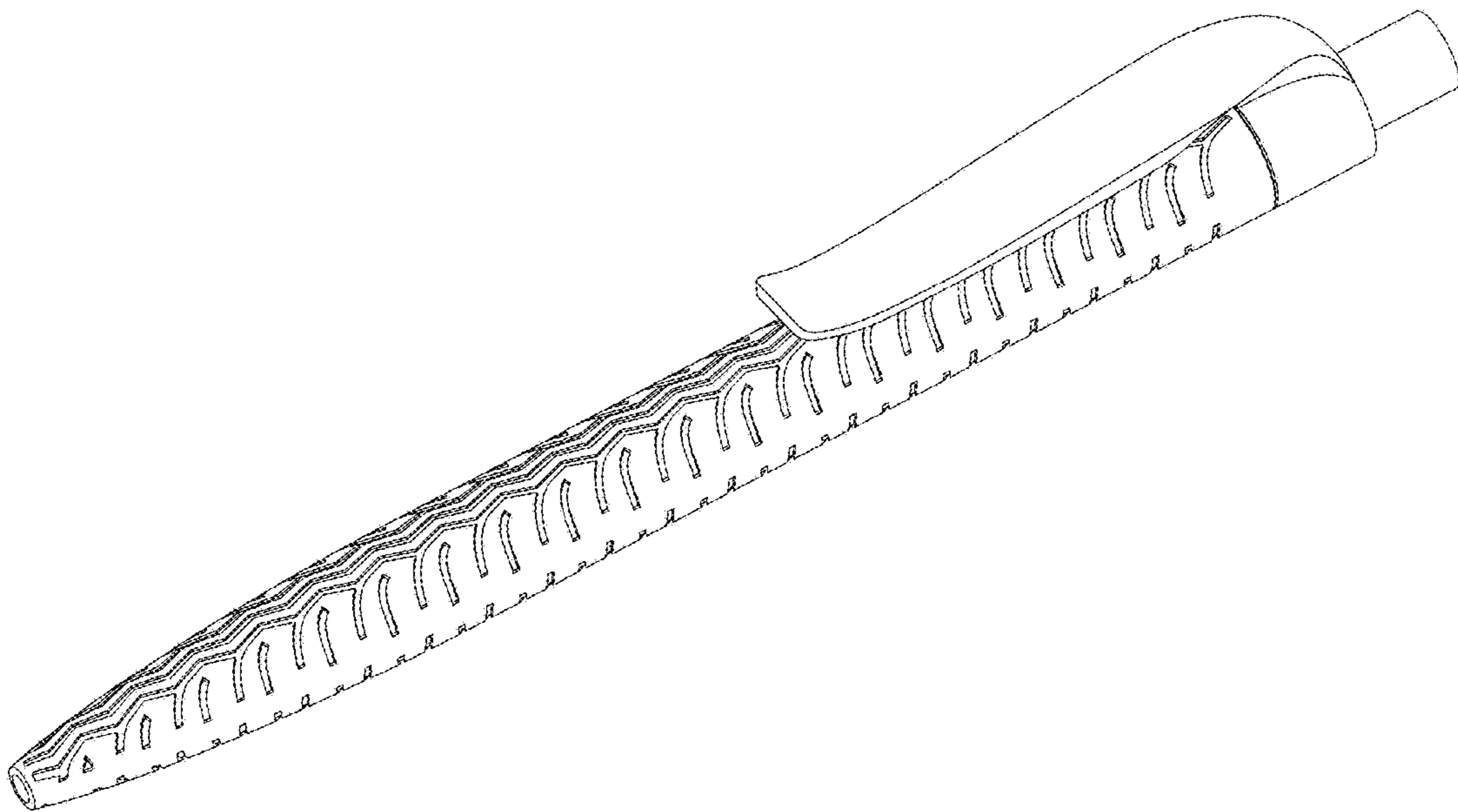
(57) **CLAIM**
The ornamental design for a pen, as shown and described.

DESCRIPTION

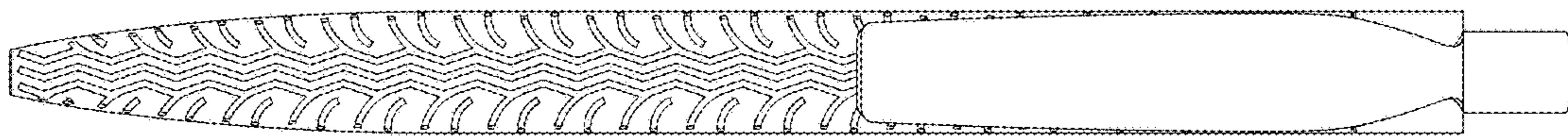
- 1. Pen
- 1.1 : Perspective
- 1.2 : Front
- 1.3 : Back
- 1.4 : Right
- 1.5 : Left
- 1.6 : Bottom
- 1.7 : Top

1 Claim, 7 Drawing Sheets

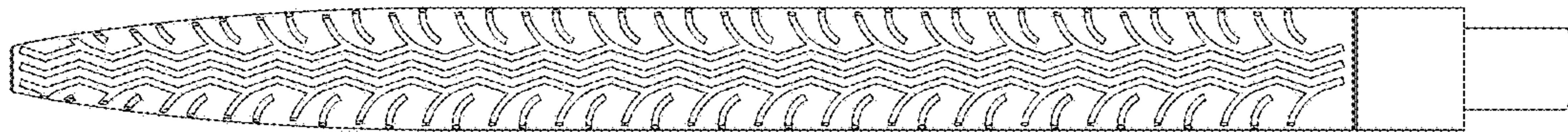




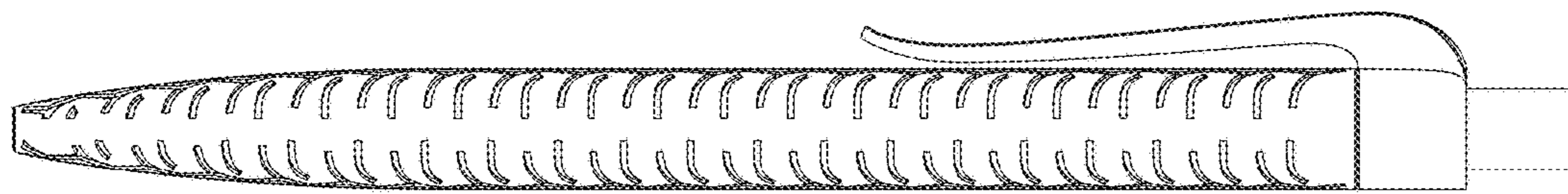
1.1



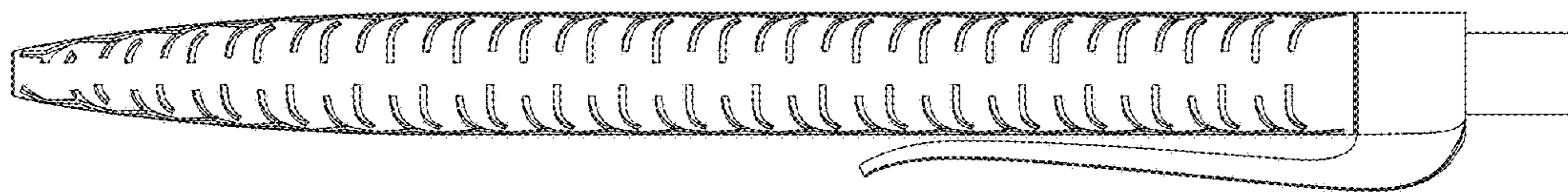
1.2



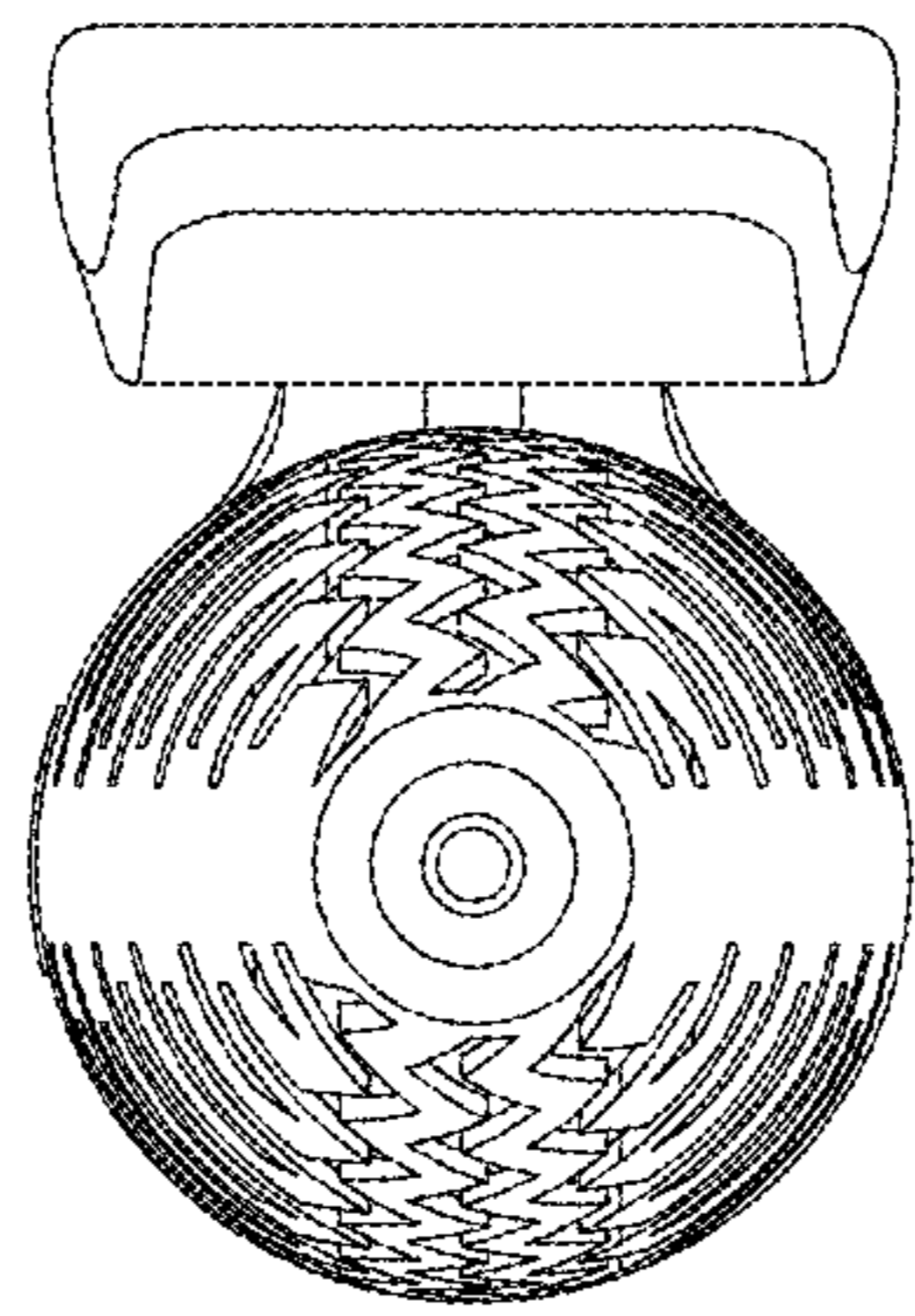
1.3



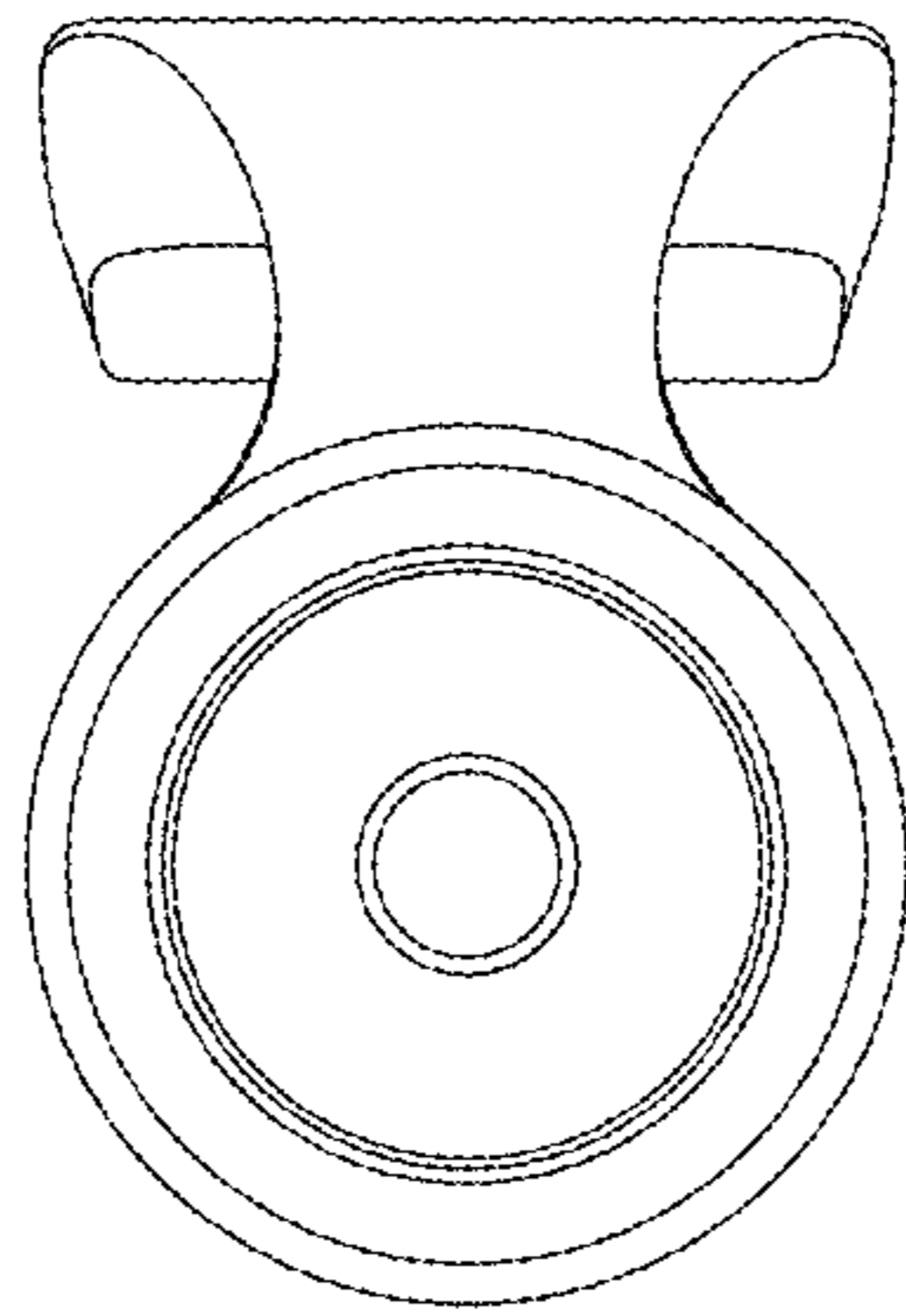
1.4



1.5



1.6



1.7